



US00D752155S

(12) **United States Design Patent**
Nishizawa et al.

(10) **Patent No.:** **US D752,155 S**
(45) **Date of Patent:** **** Mar. 22, 2016**

(54) **TOY BELT**

(71) Applicant: **BANDAI CO., LTD.**, Tokyo (JP)

(72) Inventors: **Kiyoto Nishizawa**, Tokyo (JP); **Sojiro Tanaka**, Tokyo (JP); **Akira Onodera**, Tokyo (JP)

(73) Assignee: **BANDAI CO., LTD.**, Tokyo (JP)

(**) Term: **14 Years**

(21) Appl. No.: **29/507,280**

(22) Filed: **Oct. 24, 2014**

(30) **Foreign Application Priority Data**

Apr. 25, 2014 (JP) 2014-0009073

(51) **LOC (10) Cl.** **21-01**

(52) **U.S. Cl.**
USPC **D21/483**

(58) **Field of Classification Search**
USPC D21/398, 405, 465, 468, 475-477, 483,
D21/513, 516, 517, 531, 532, 567, 578,
D21/579-584, 585; D2/627-638;
D10/31-35; 446/26, 28, 71-73, 76, 81,
446/227, 397, 404, 473, 484, 487, 489, 491
CPC A63H 5/00; A63H 33/22; A63H 33/26
See application file for complete search history.

(56) **References Cited**

U.S. PATENT DOCUMENTS

4,571,199 A * 2/1986 Murakami 446/73
D284,357 S * 6/1986 Nakane D10/33

D288,343 S * 2/1987 Ogawa D21/531
D291,973 S * 9/1987 Doi D10/33
5,484,316 A * 1/1996 Poirier 446/28
6,224,450 B1 * 5/2001 Norton 446/28
6,902,463 B2 * 6/2005 Vaicunas et al. 446/397
D654,961 S * 2/2012 Onodera et al. D21/398
D709,967 S * 7/2014 Takahashi et al. D21/579
D721,405 S * 1/2015 Nishizawa et al. D21/398
D722,653 S * 2/2015 Nishizawa et al. D21/398
2013/0012097 A1 * 1/2013 Ohya et al. 446/28

* cited by examiner

Primary Examiner — Cynthia M Chin

(74) *Attorney, Agent, or Firm* — Rabin & Berdo, P.C.

(57) **CLAIM**

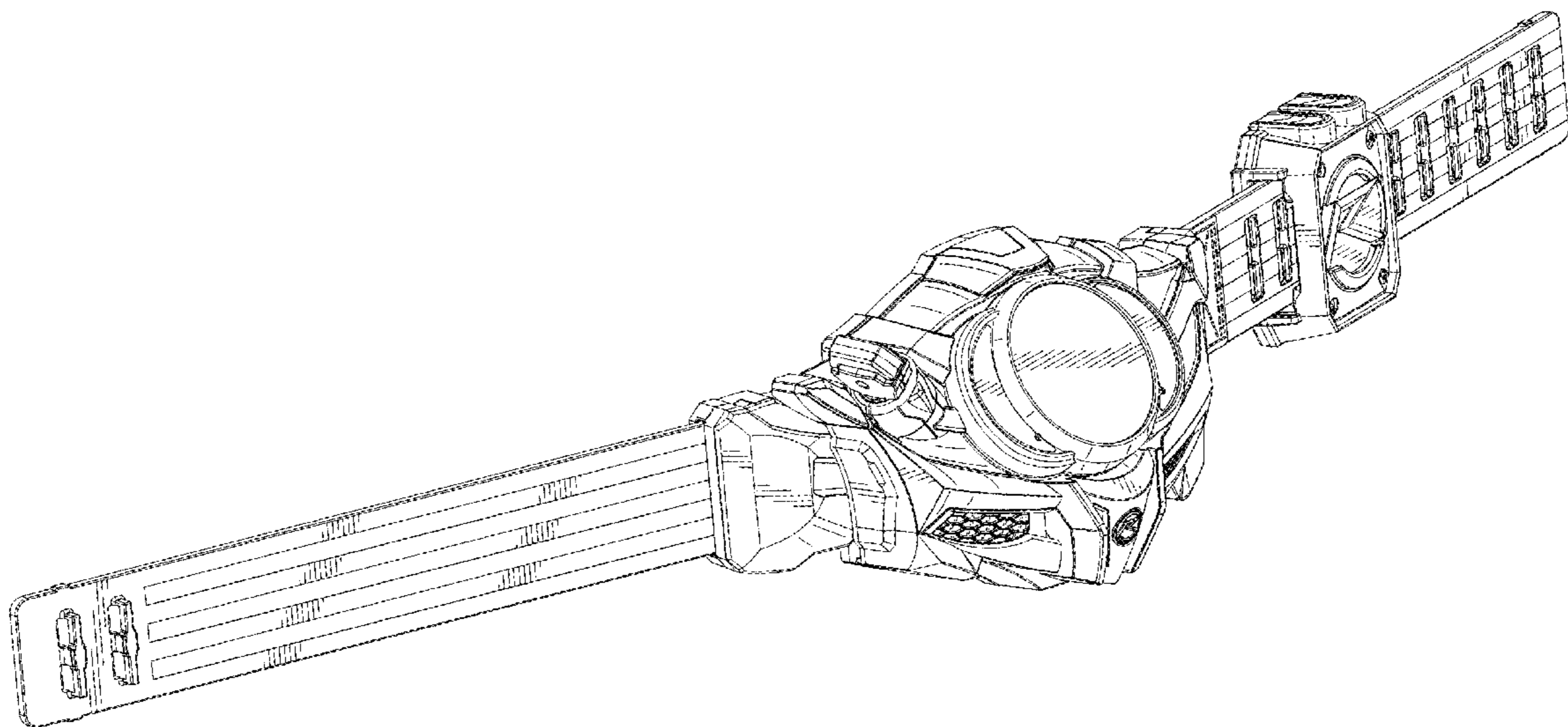
The ornamental design for a toy belt, as shown and described.

DESCRIPTION

FIG. 1 is a perspective view of a toy belt;
FIG. 2 is another perspective view thereof;
FIG. 3 is a top view thereof;
FIG. 4 is a bottom view thereof;
FIG. 5 is a front view thereof;
FIG. 6 is a rear view thereof;
FIG. 7 is a right side view thereof;
FIG. 8 is a left side view thereof;
FIG. 9 is a perspective view of the second aspect of the toy belt, with a feature in an alternative position; and,
FIG. 10 is a front view of the second aspect of the toy belt thereof.

The features shown in broken lines form no part of the claimed invention.

1 Claim, 7 Drawing Sheets



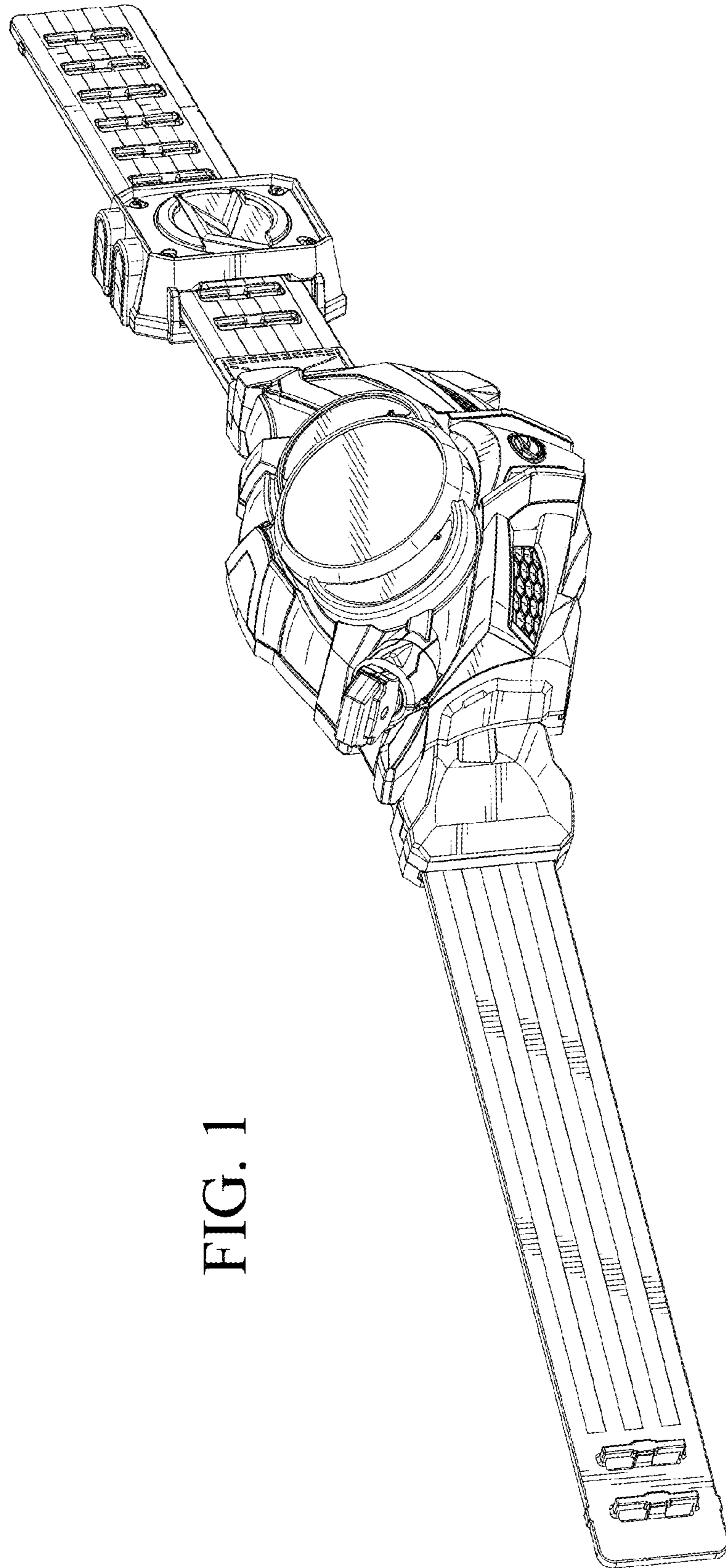


FIG. 1

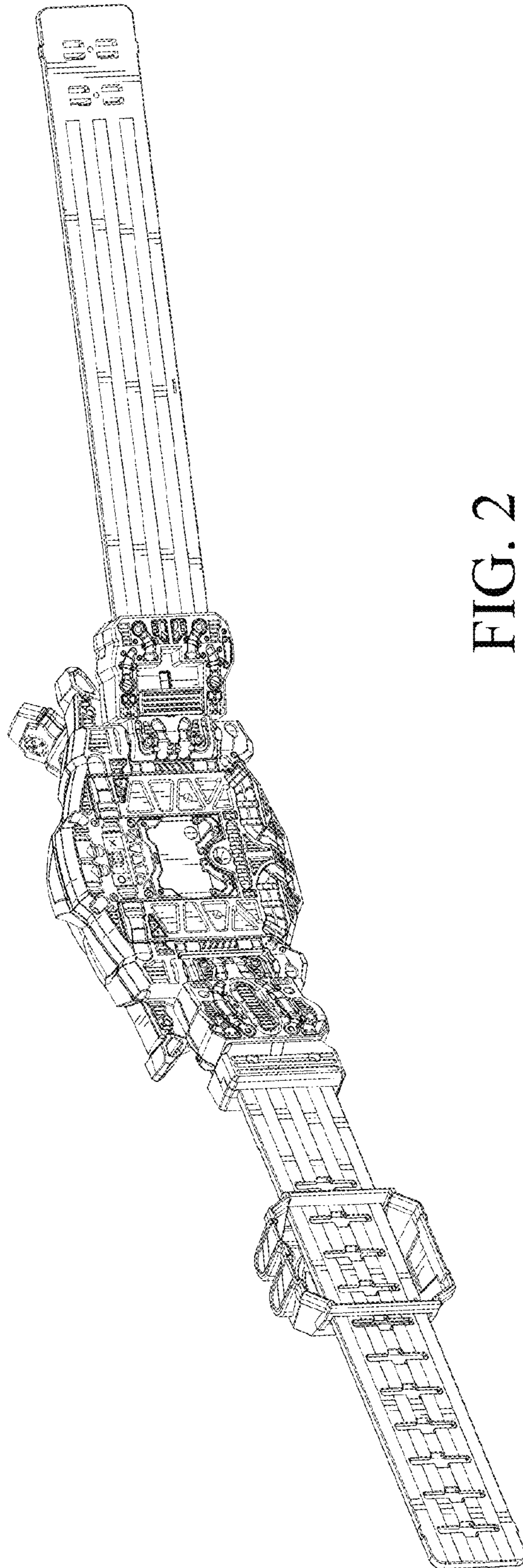


FIG. 2

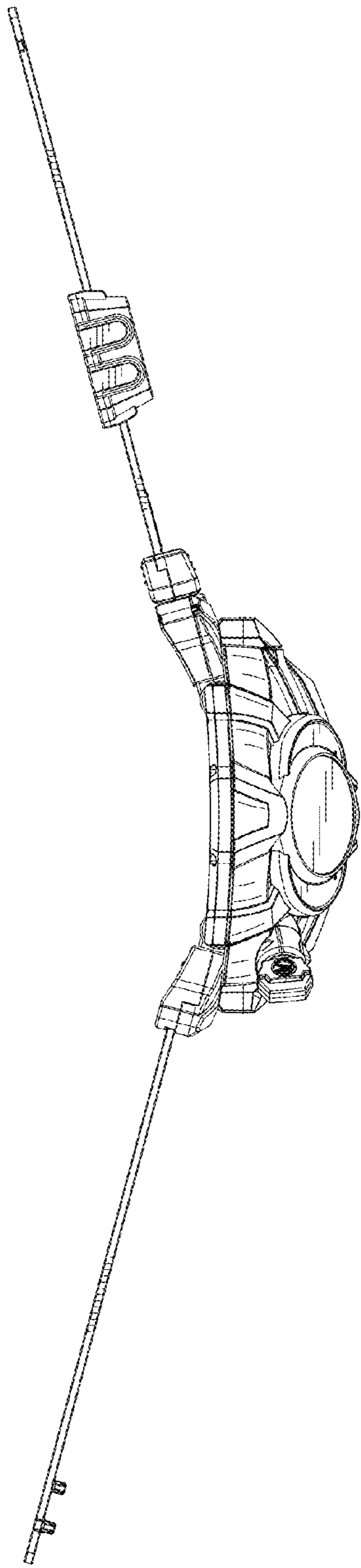


FIG. 3

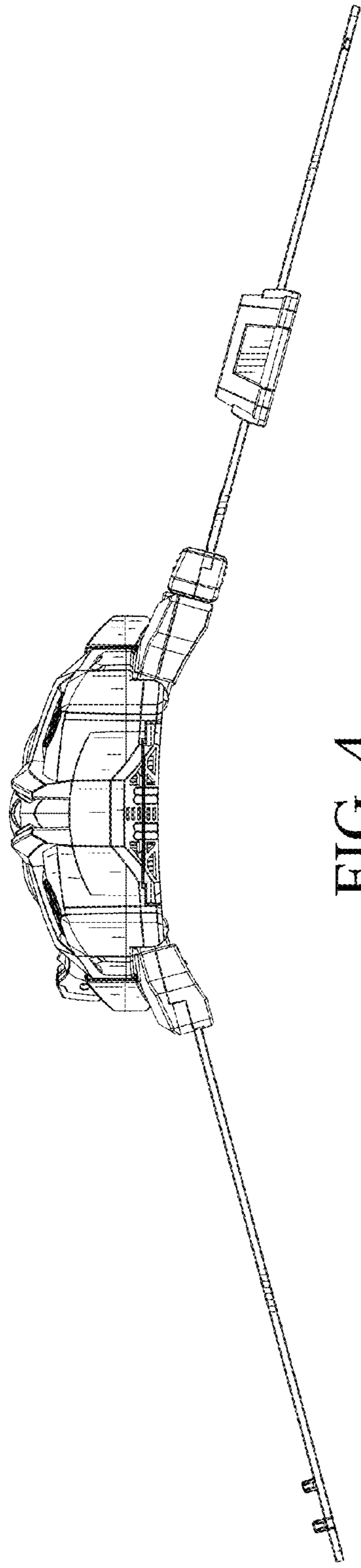


FIG. 4

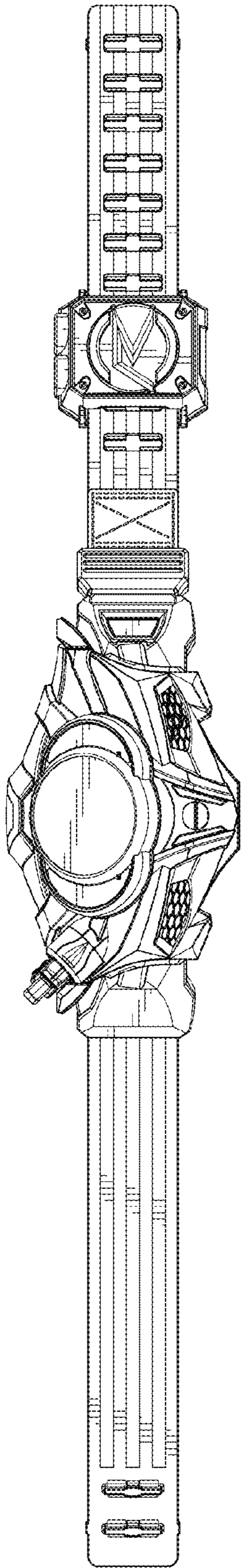


FIG. 5

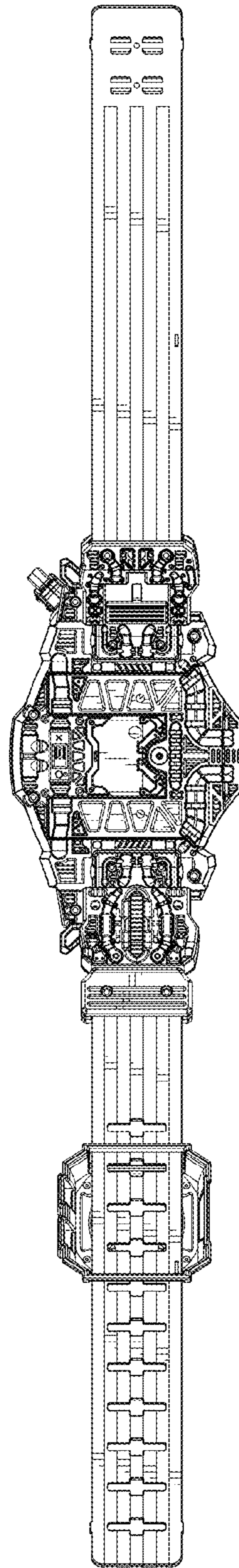


FIG. 6

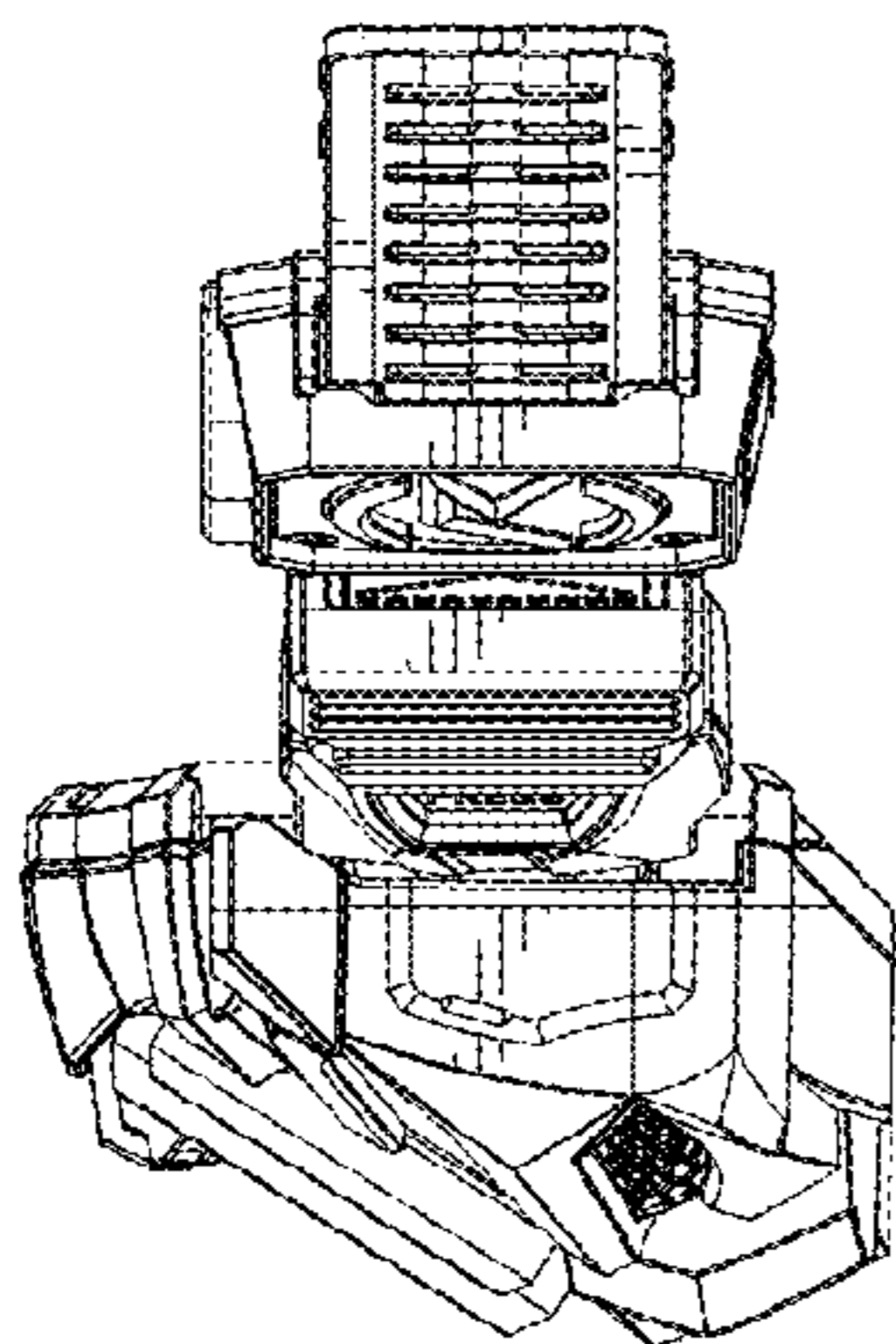


FIG. 7

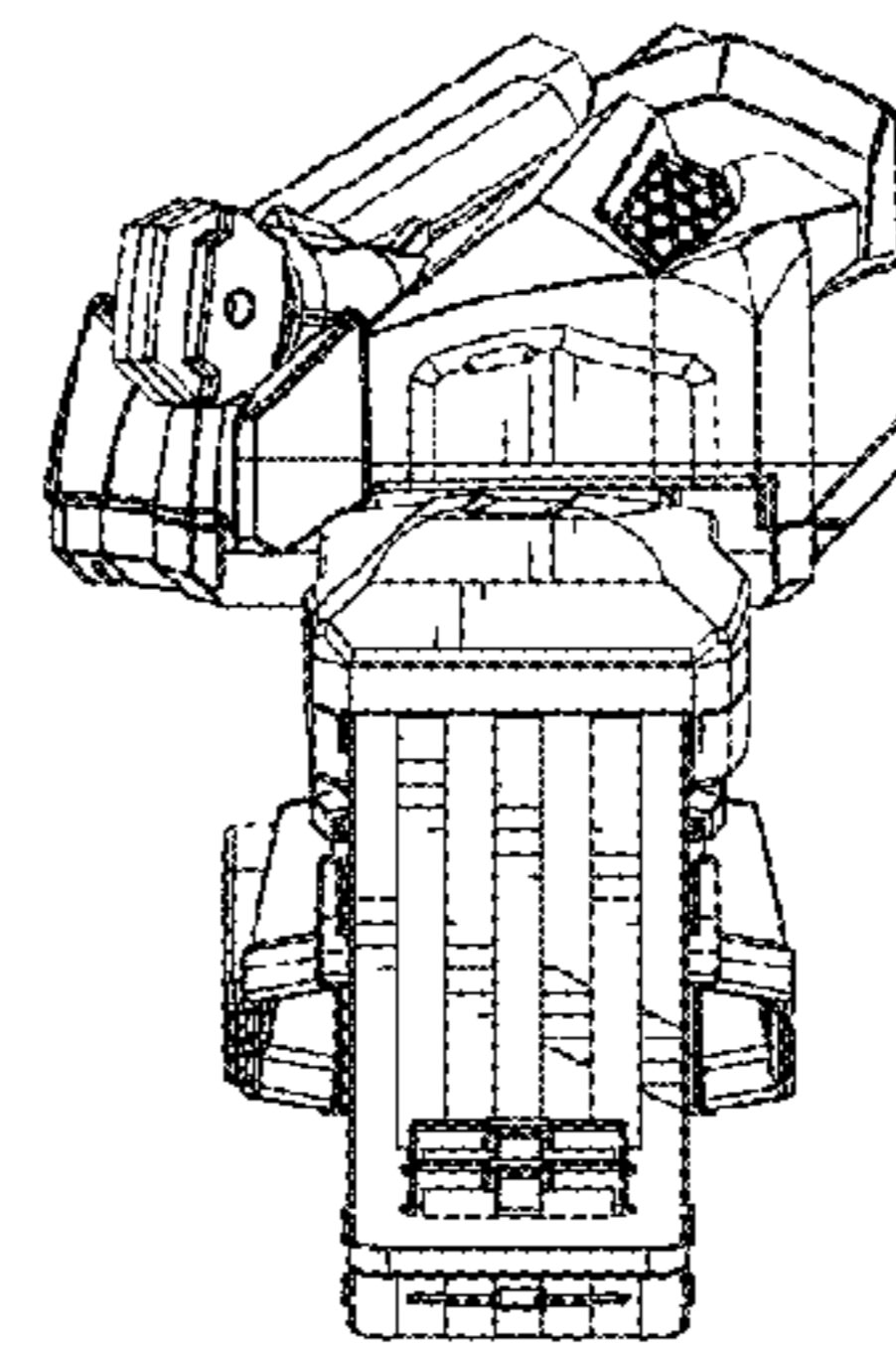


FIG. 8

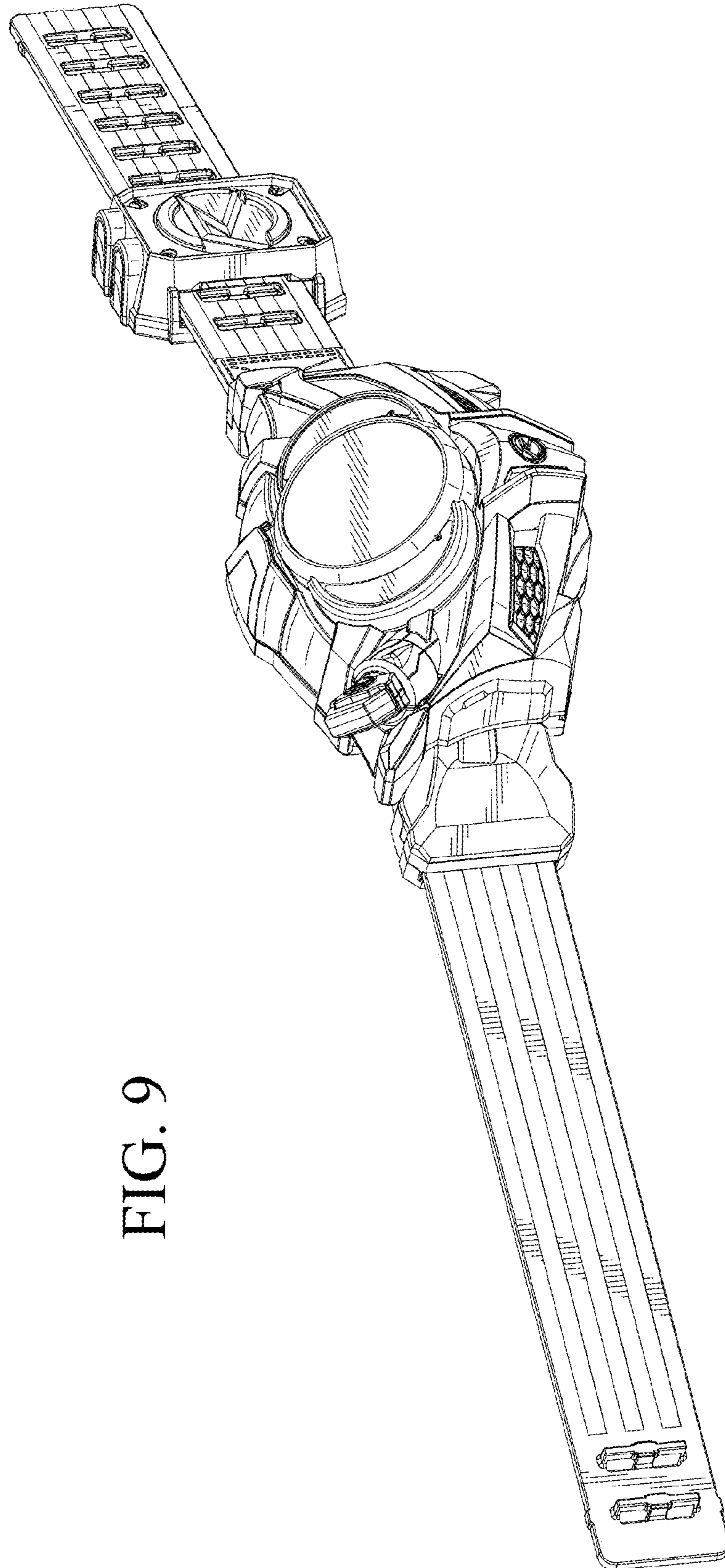


FIG. 9

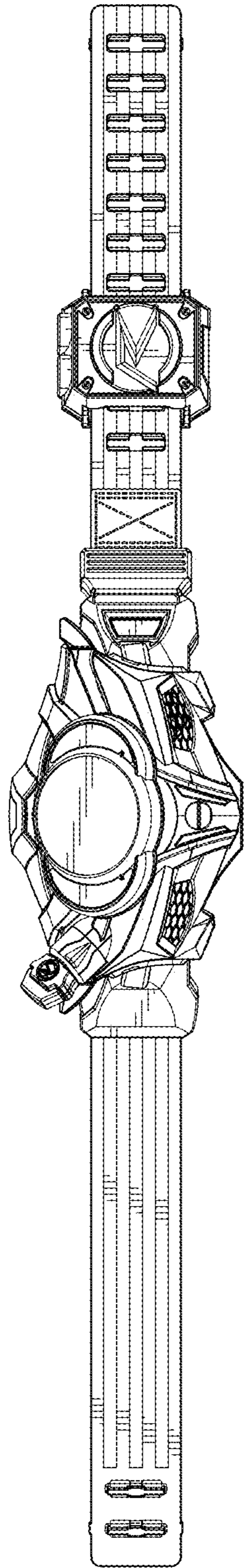


FIG. 10