



US00D752154S

(12) **United States Design Patent**
Wai Shing

(10) **Patent No.:** **US D752,154 S**
(45) **Date of Patent:** **** Mar. 22, 2016**

- (54) **2-IN-1 SLIDE TO ROCKER**
- (71) Applicant: **Wally Size Wai Shing**, Quarry Bay (HK)
- (72) Inventor: **Wally Size Wai Shing**, Quarry Bay (HK)
- (73) Assignee: **GROW'N UP LIMITED**, Hong Kong (HK)
- (**) Term: **14 Years**
- (21) Appl. No.: **29/444,400**
- (22) Filed: **Jan. 30, 2013**
- (51) **LOC (10) Cl.** **21-01**
- (52) **U.S. Cl.**
USPC **D21/412**
- (58) **Field of Classification Search**
USPC D21/412, 414-419, 424-434, 506, 507, D21/519, 521, 530, 814, 818-820; D6/333, D6/335, 340, 344, 345, 348, 353, 367, 368, D6/383, 385, 390, 391, 392; 446/29, 71, 446/227, 396, 478, 479, 482, 487; 472/95, 472/101, 102, 116, 135; 297/1, 3, 19, 20, 297/32, 118, 130, 131, 132, 181, 188.1, 297/217.1, 258.1, 271.6, 283.1
CPC A47D 11/00; A47D 13/10; A47D 13/102; A63G 13/00; A63G 13/06; A63G 13/10; A63G 21/00
See application file for complete search history.

D294,378	S	*	2/1988	Spirk et al.	D21/820
5,387,158	A	*	2/1995	Bertrand	472/117
D368,759	S	*	4/1996	Fuligni	D21/818
D550,779	S	*	9/2007	Boutin	D21/415
D631,102	S	*	1/2011	Jessie, Jr.	D21/424

FOREIGN PATENT DOCUMENTS

CN	301113451	*	1/2010
CN	302044855	*	8/2012

* cited by examiner

Primary Examiner — Catherine Tuttle

(74) *Attorney, Agent, or Firm* — St Onge Steward Johnston and Reens LLC

(57) **CLAIM**

The ornamental design for a 2-in-1 slide to rocker, as shown and described.

DESCRIPTION

FIG. 1 is a front left side isometric view of a 2-in-1 slide to rocker in accordance with the new design, showing the rocker configuration;

FIG. 2 is a left side elevation view thereof, a right side elevation view being a mirror image thereof;

FIG. 3 is a top plan view thereof;

FIG. 4 is a bottom plan view thereof;

FIG. 5 is a front elevation view thereof;

FIG. 6 is a rear elevation view thereof;

FIG. 7 is a front left side isometric view of the 2-in-1 slide to rocker of FIG. 1, showing the slide configuration;

FIG. 8 is a left side elevation view thereof, a right side elevation view being a mirror image thereof;

FIG. 9 is a top plan view thereof;

FIG. 10 is a bottom plan view thereof;

FIG. 11 is a rear elevation view thereof; and,

FIG. 12 is a front elevation view thereof.

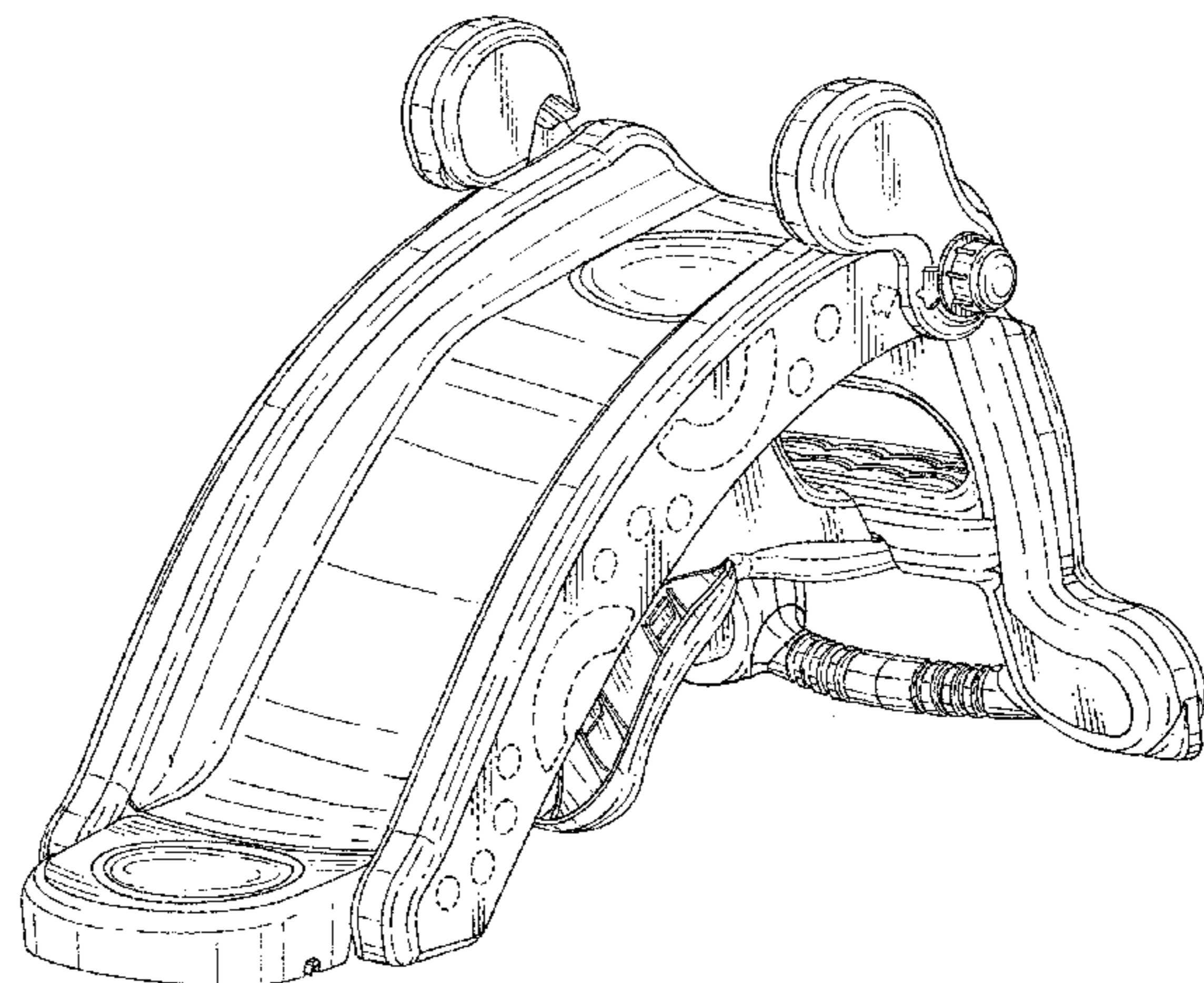
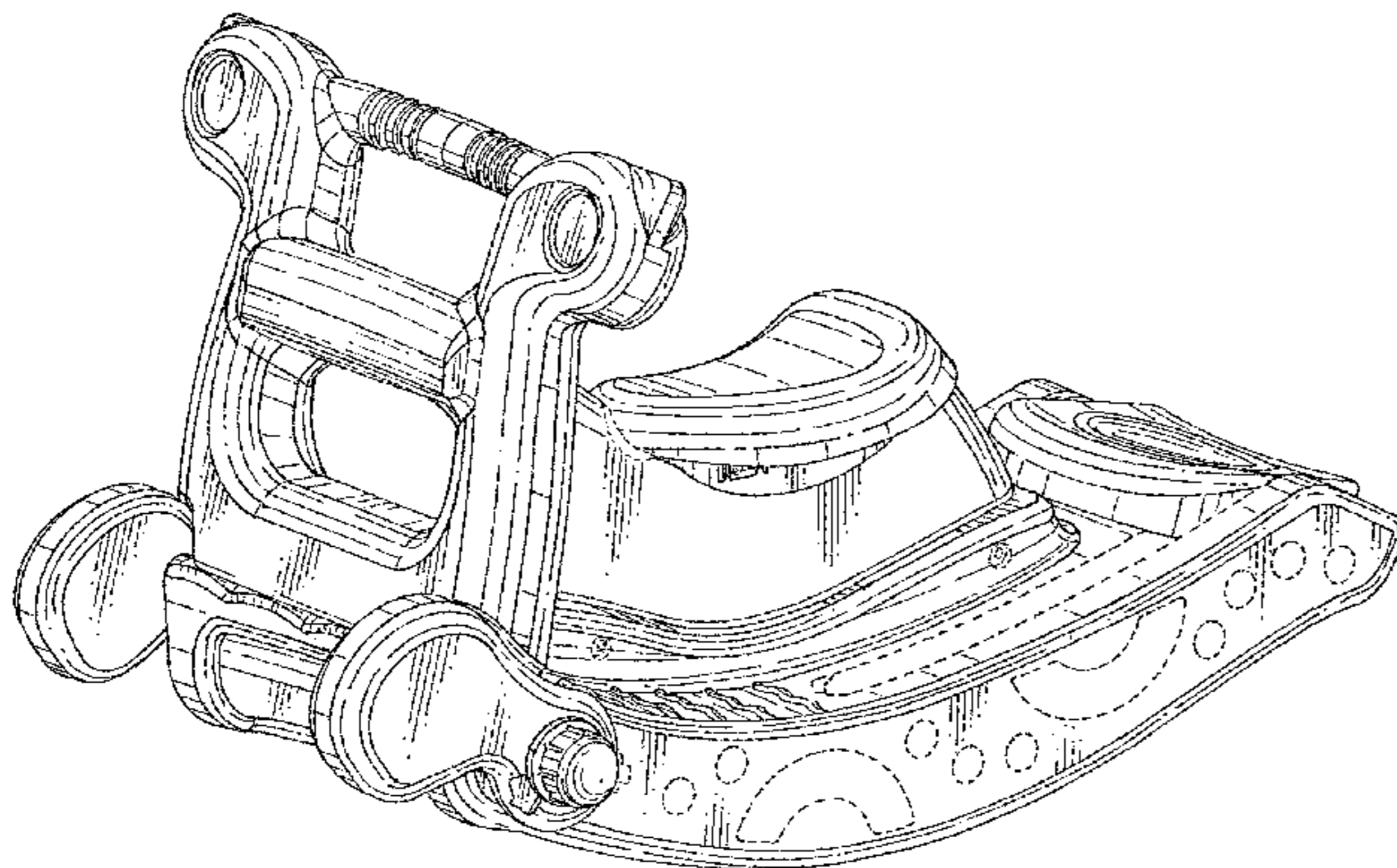
The broken lines showing in FIGS. 1, 2, 3, 6-8 and 10 is for illustration purposes only and forms no part of the claimed design.

1 Claim, 12 Drawing Sheets

(56) **References Cited**

U.S. PATENT DOCUMENTS

1,441,940	A	*	1/1923	Nafe	472/114
1,688,282	A	*	10/1928	Mallard	280/1
2,620,185	A	*	12/1952	Harding	482/35
2,755,087	A	*	7/1956	Michels	472/102
3,804,459	A	*	4/1974	Nose	297/271.6
4,241,949	A	*	12/1980	Parker	297/3
D264,360	S	*	5/1982	Orenstein	D21/415
D273,503	S	*	4/1984	Mariol	D21/818
D287,315	S	*	12/1986	Ginouves	D6/335



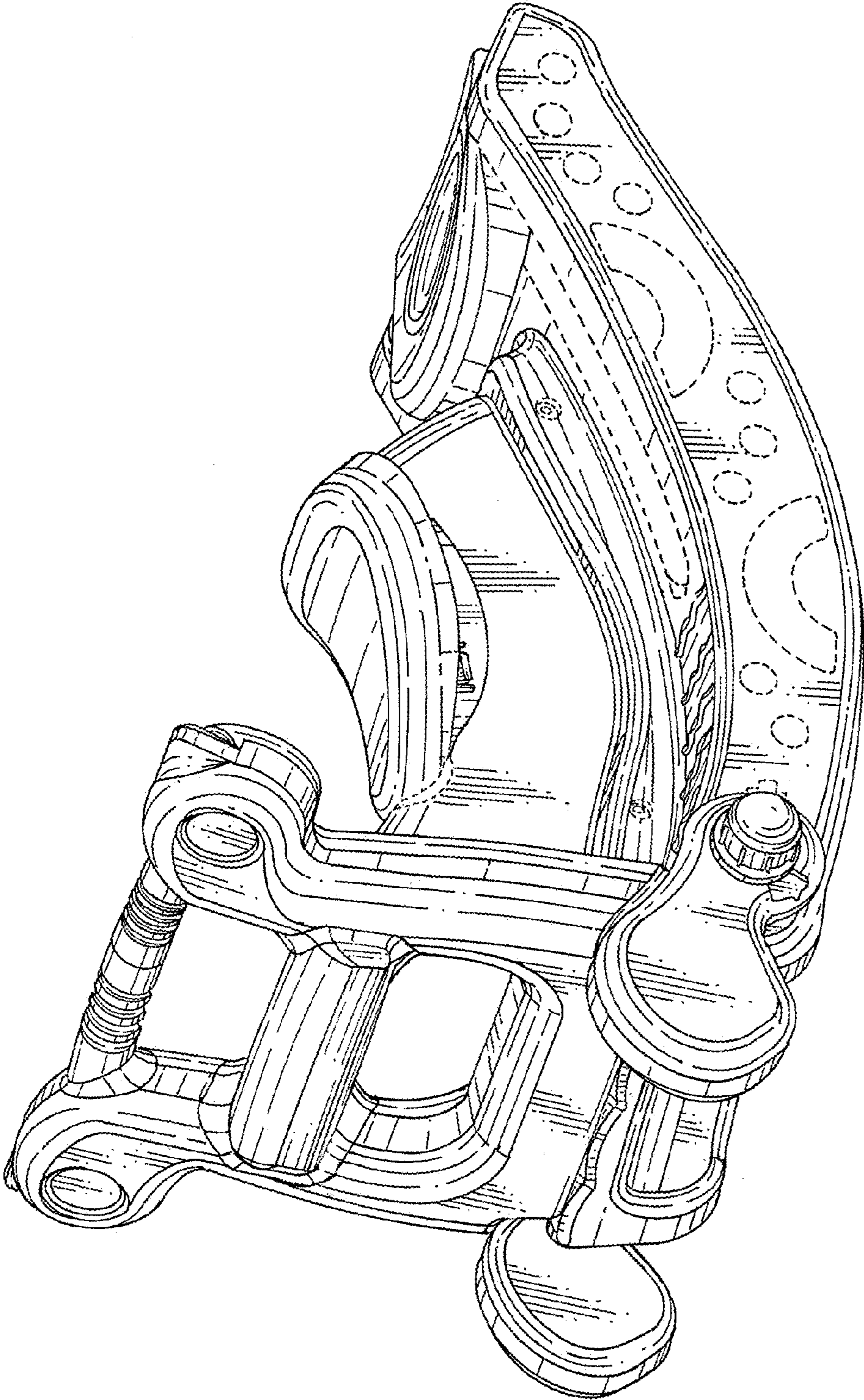


FIG. 1

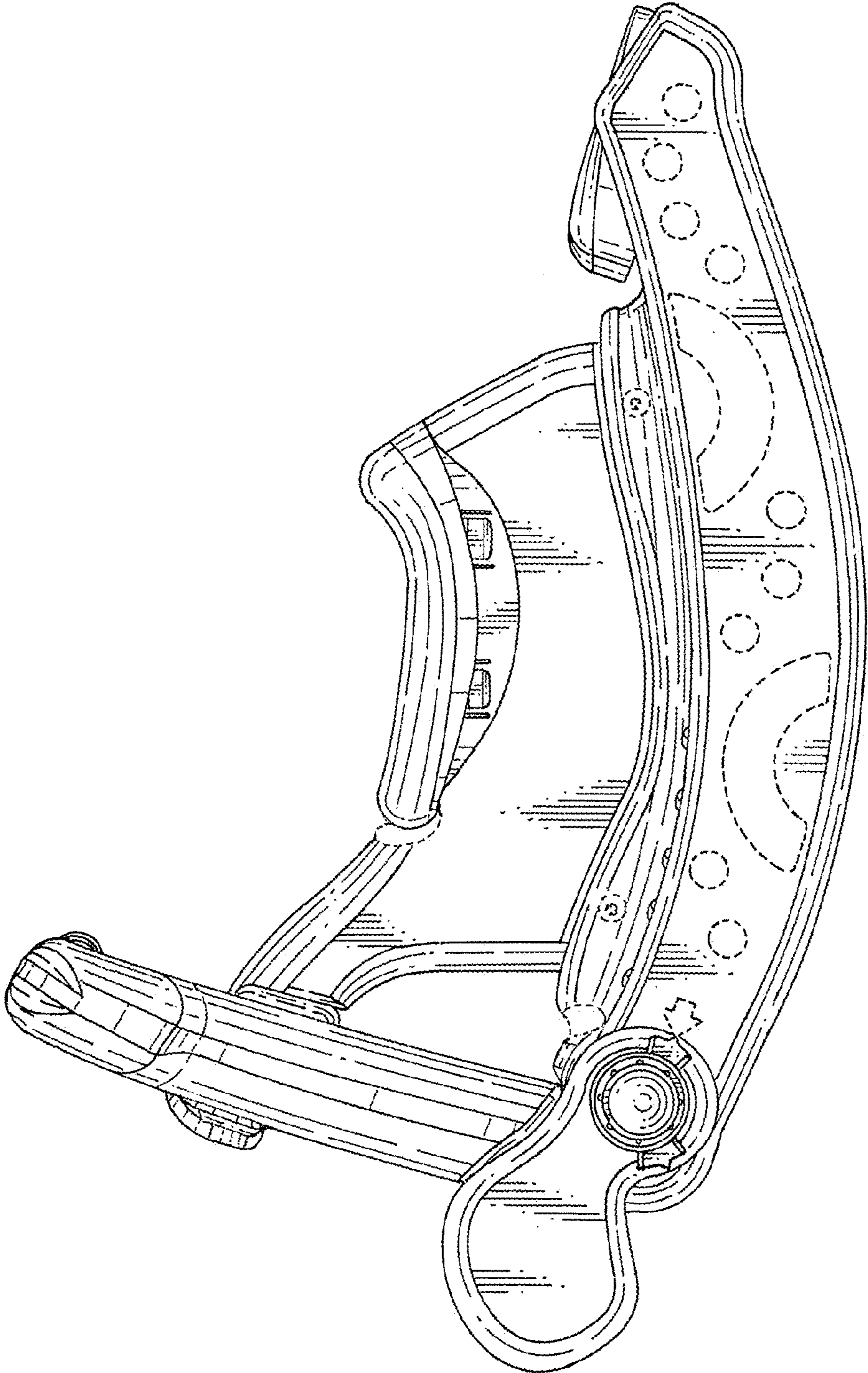


FIG. 2

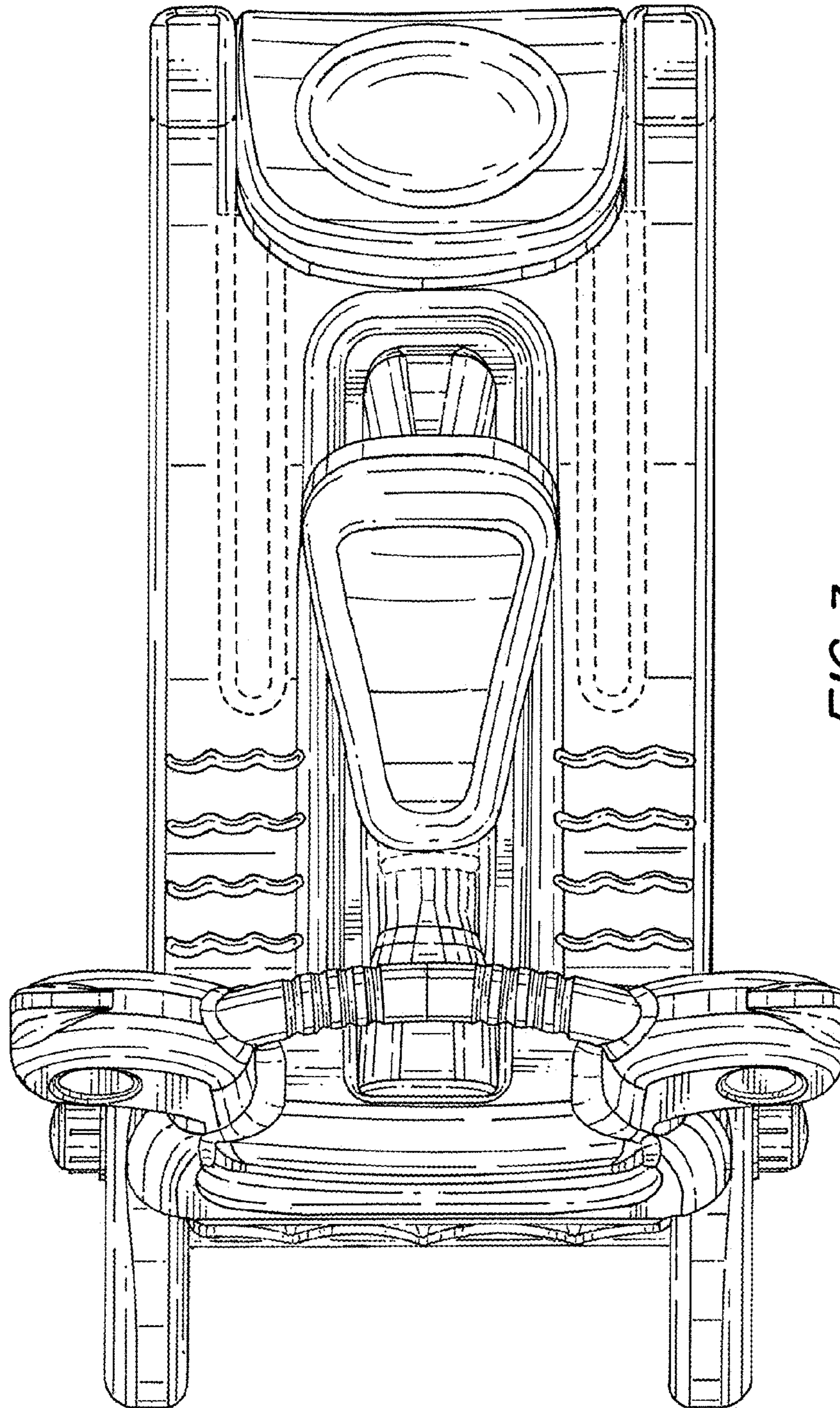


FIG. 3

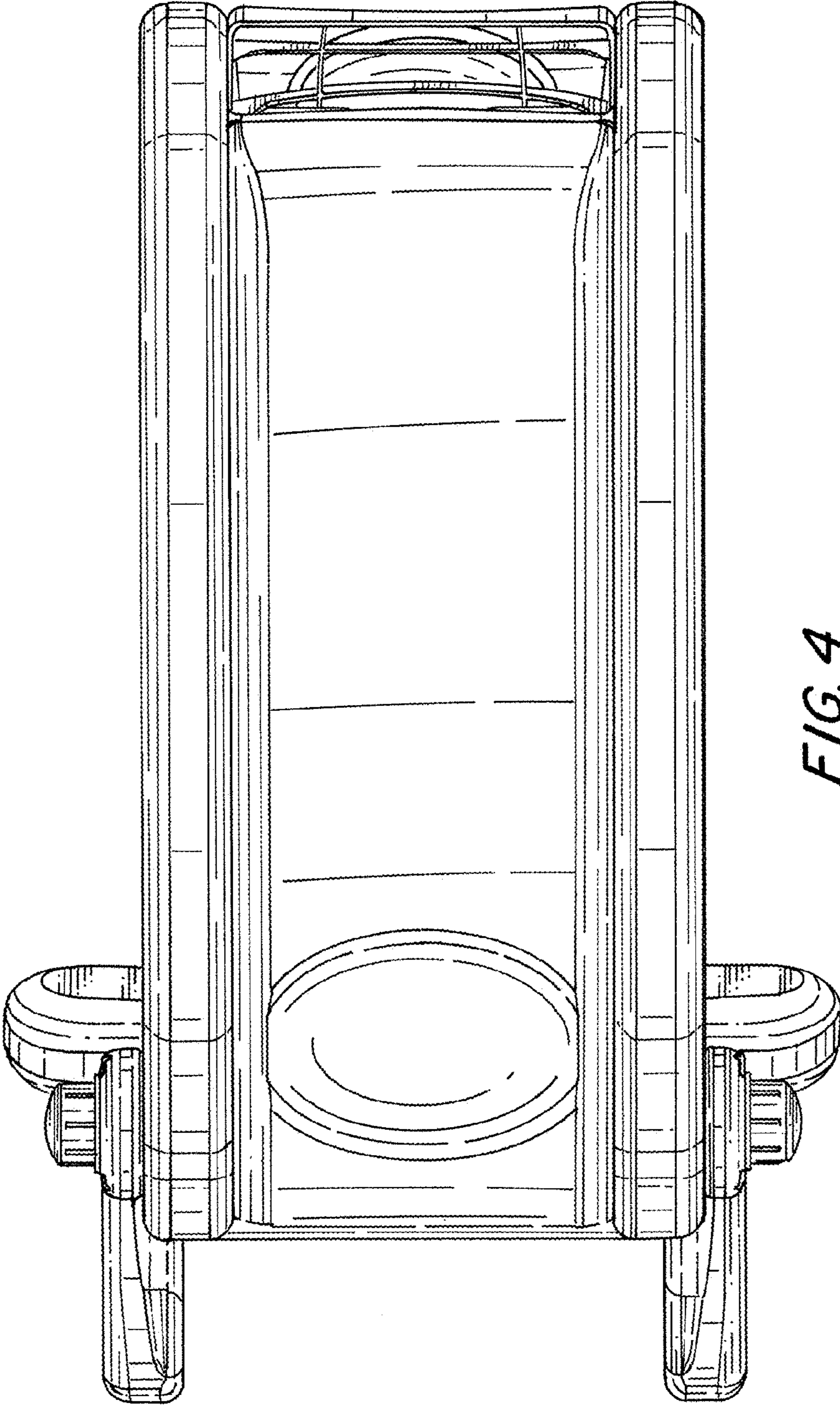


FIG. 4

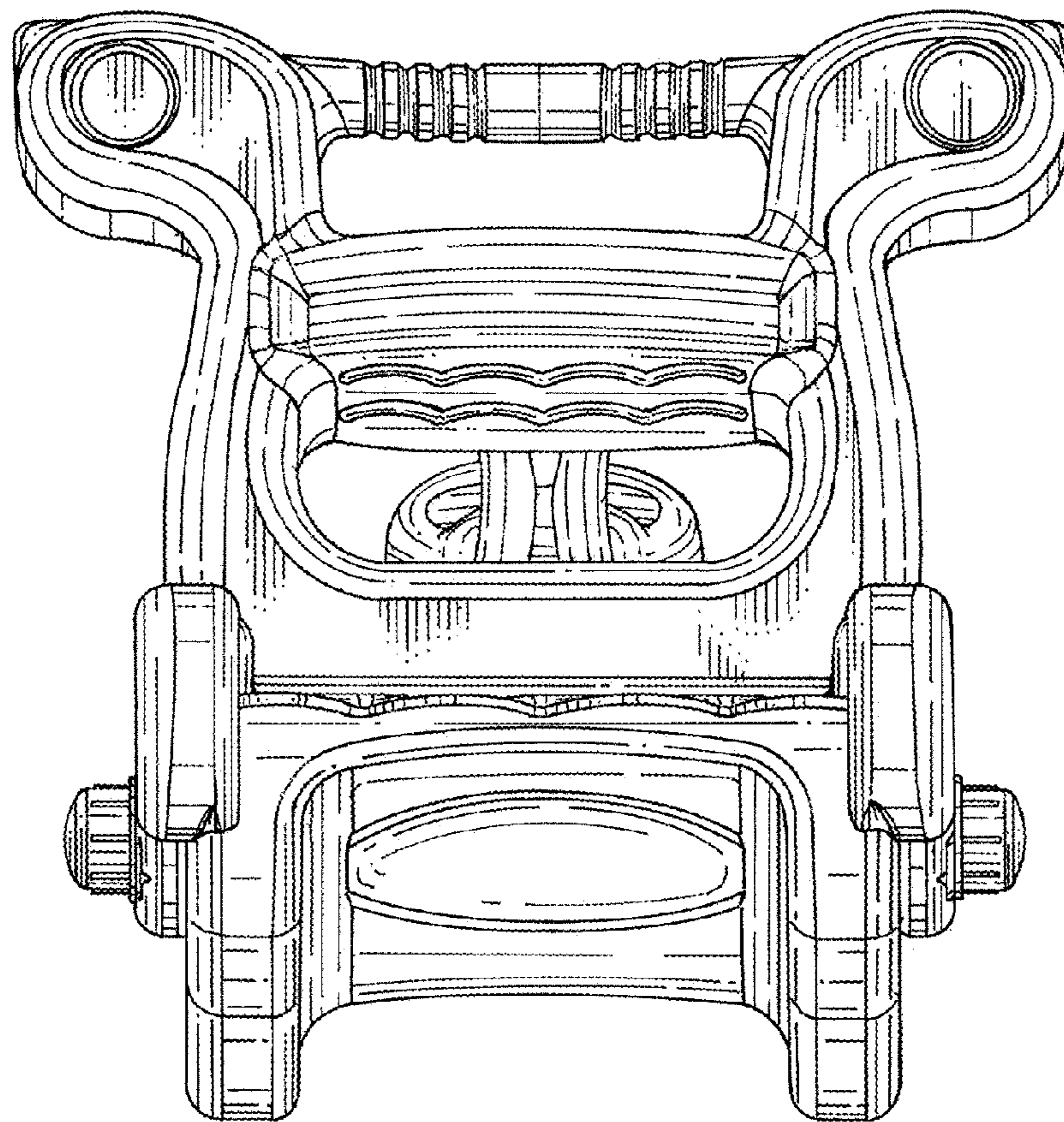


FIG. 5

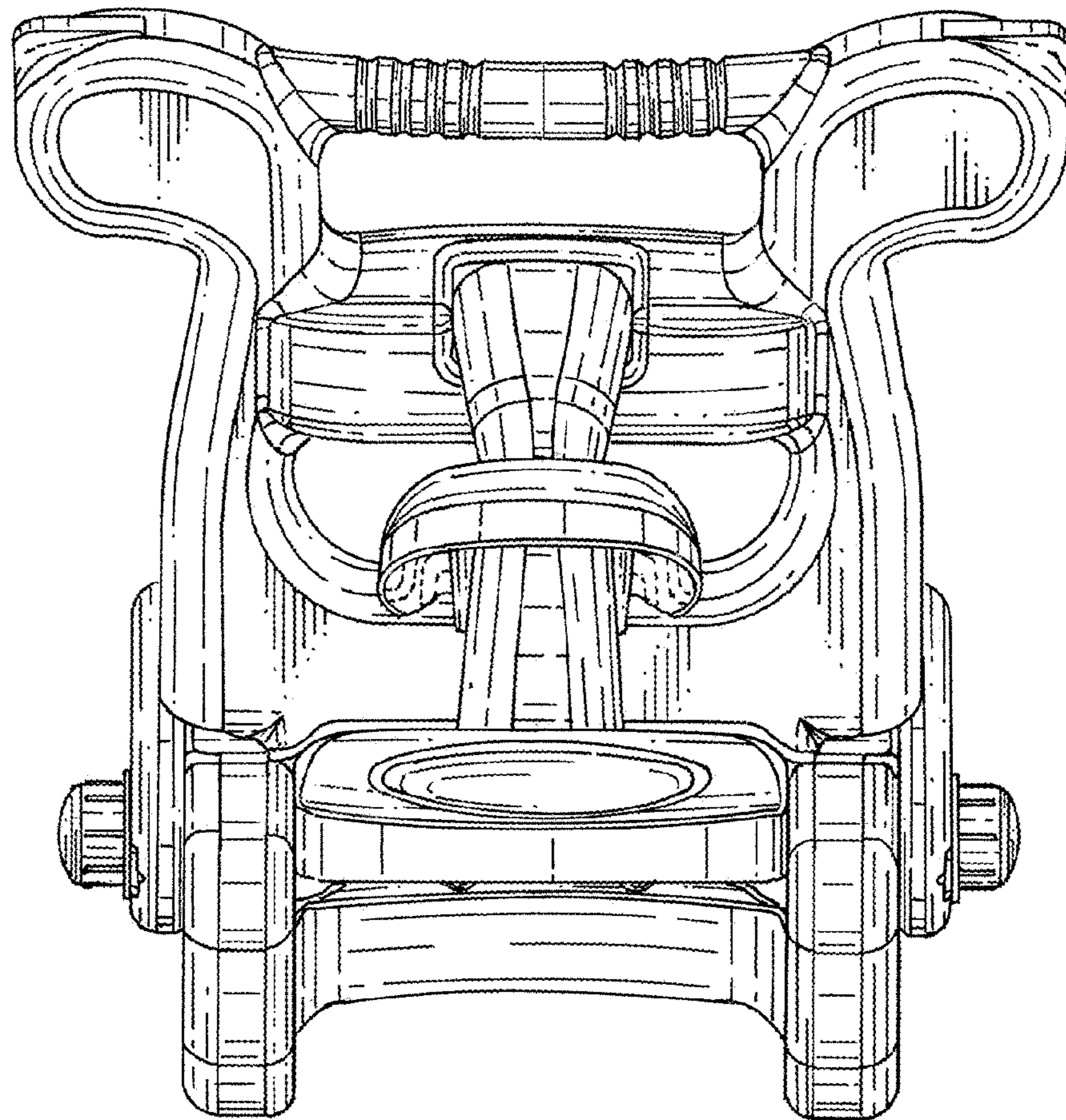


FIG. 6

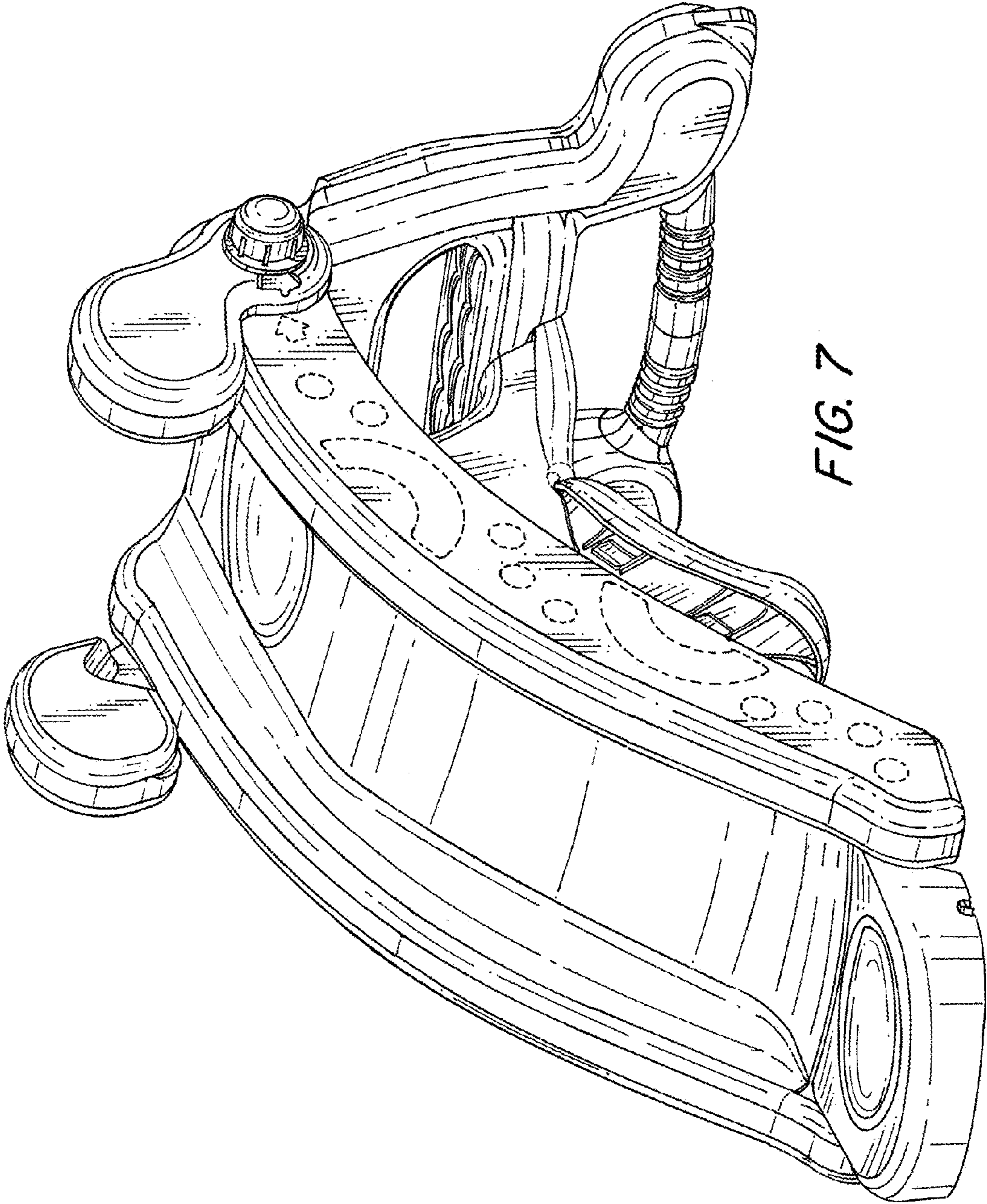


FIG. 7

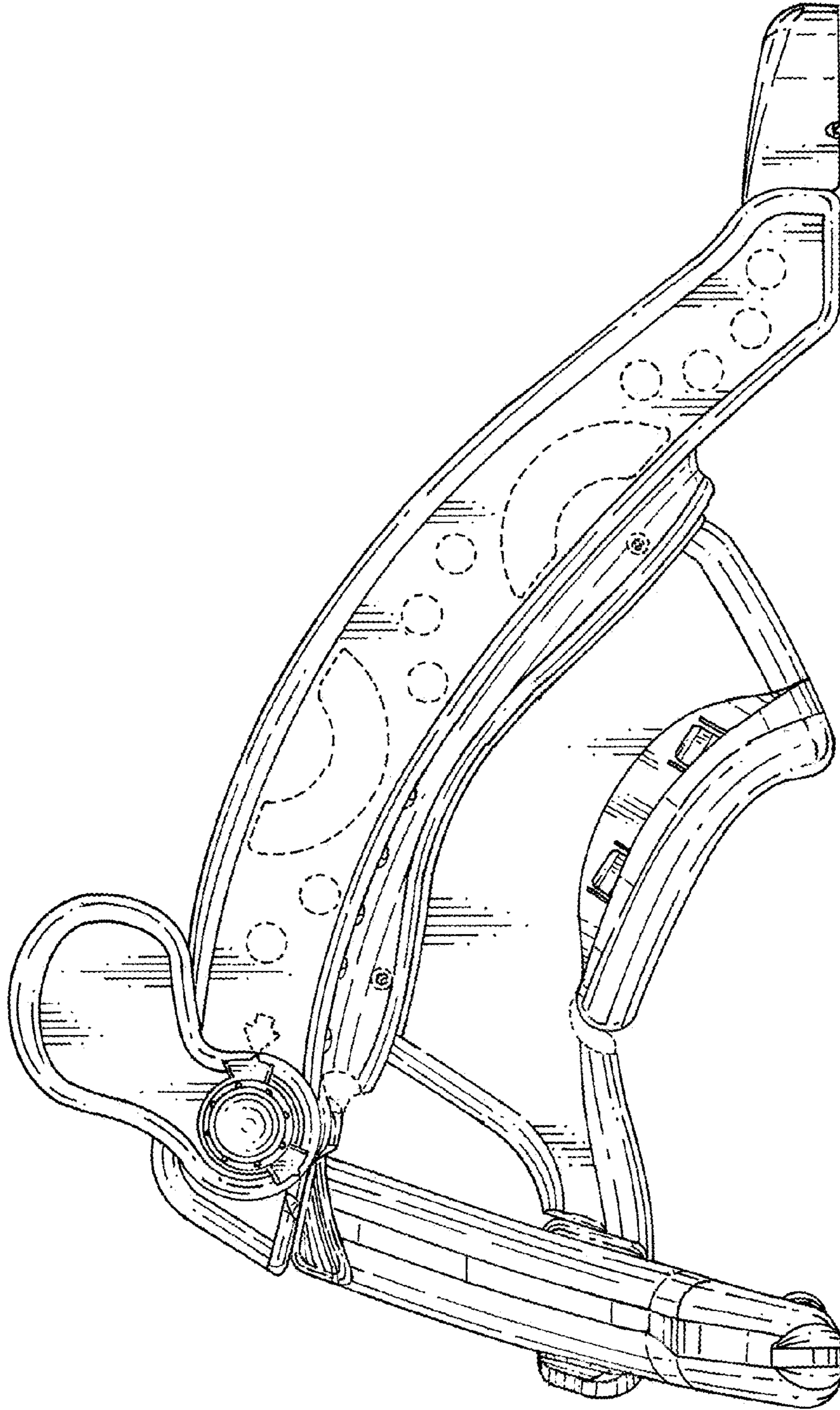


FIG. 8

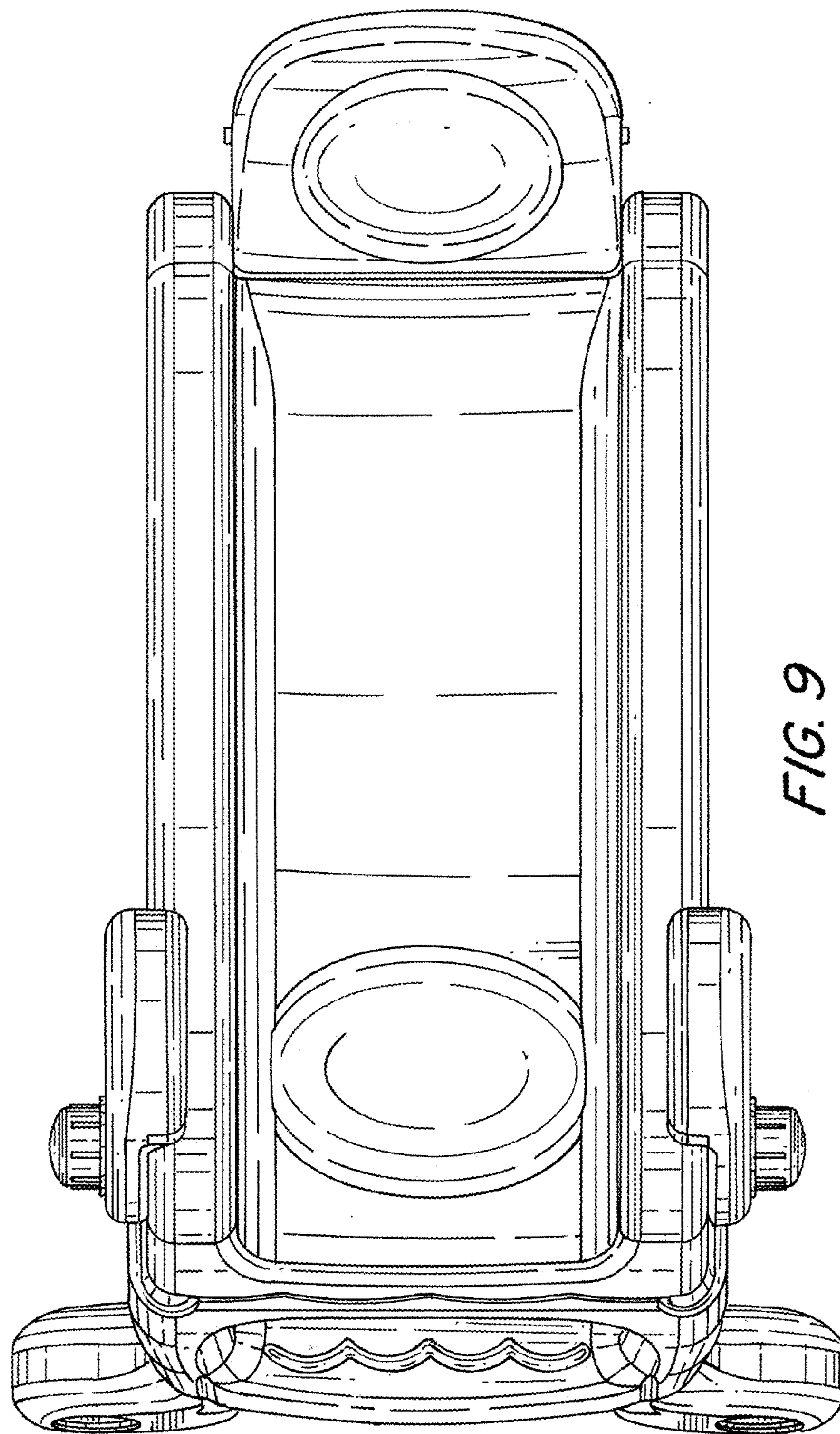


FIG. 9

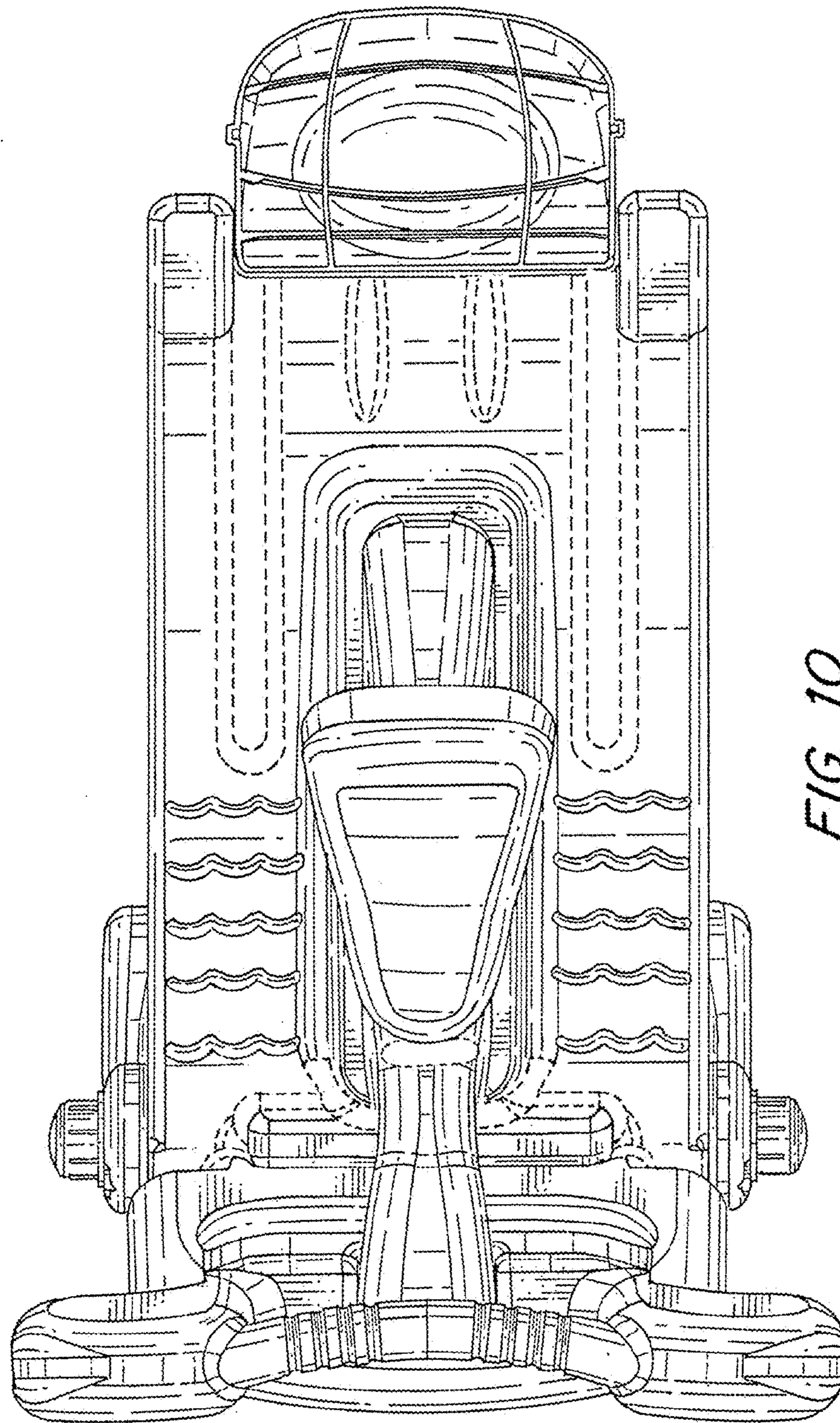


FIG. 10

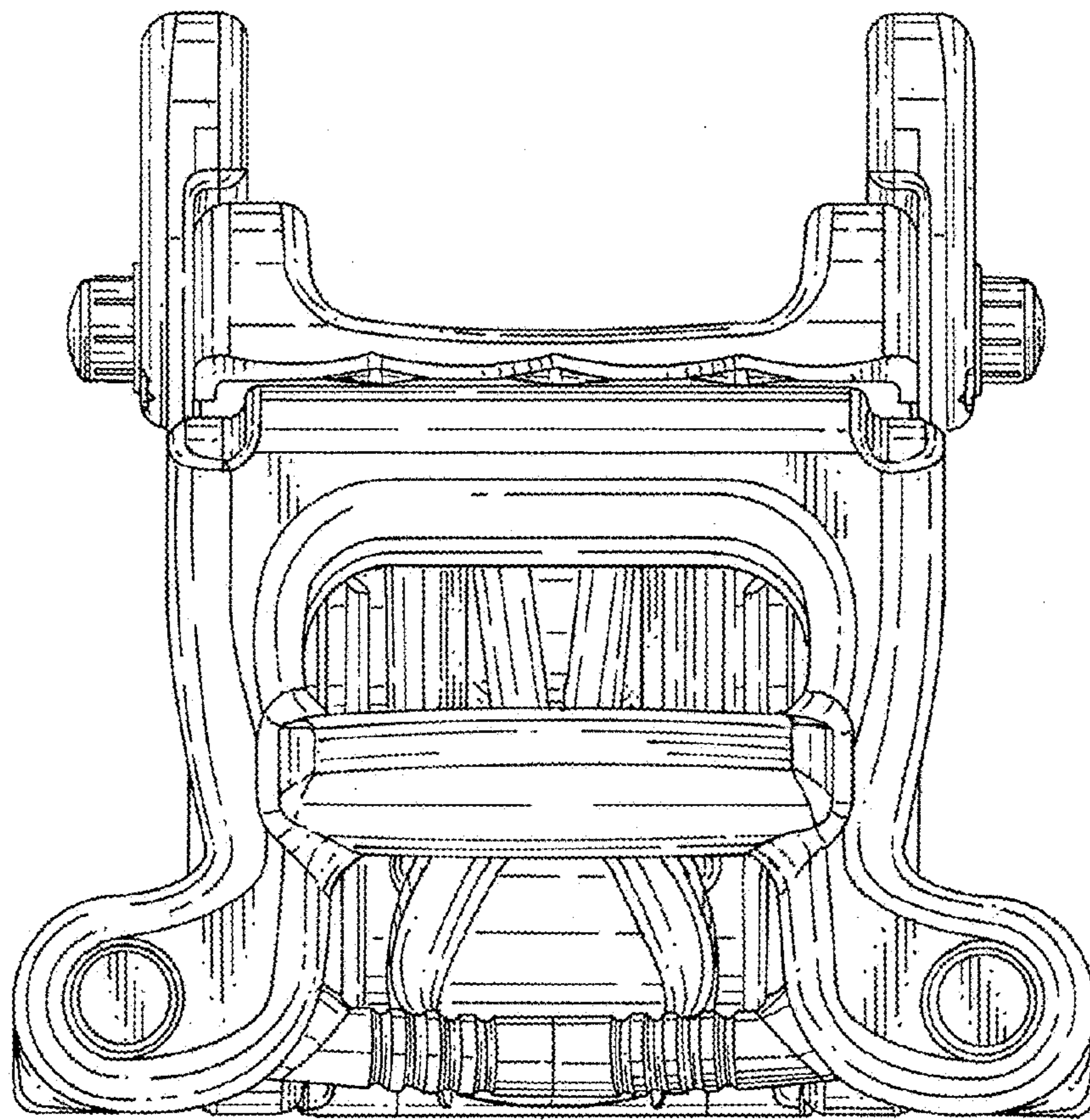


FIG. 11

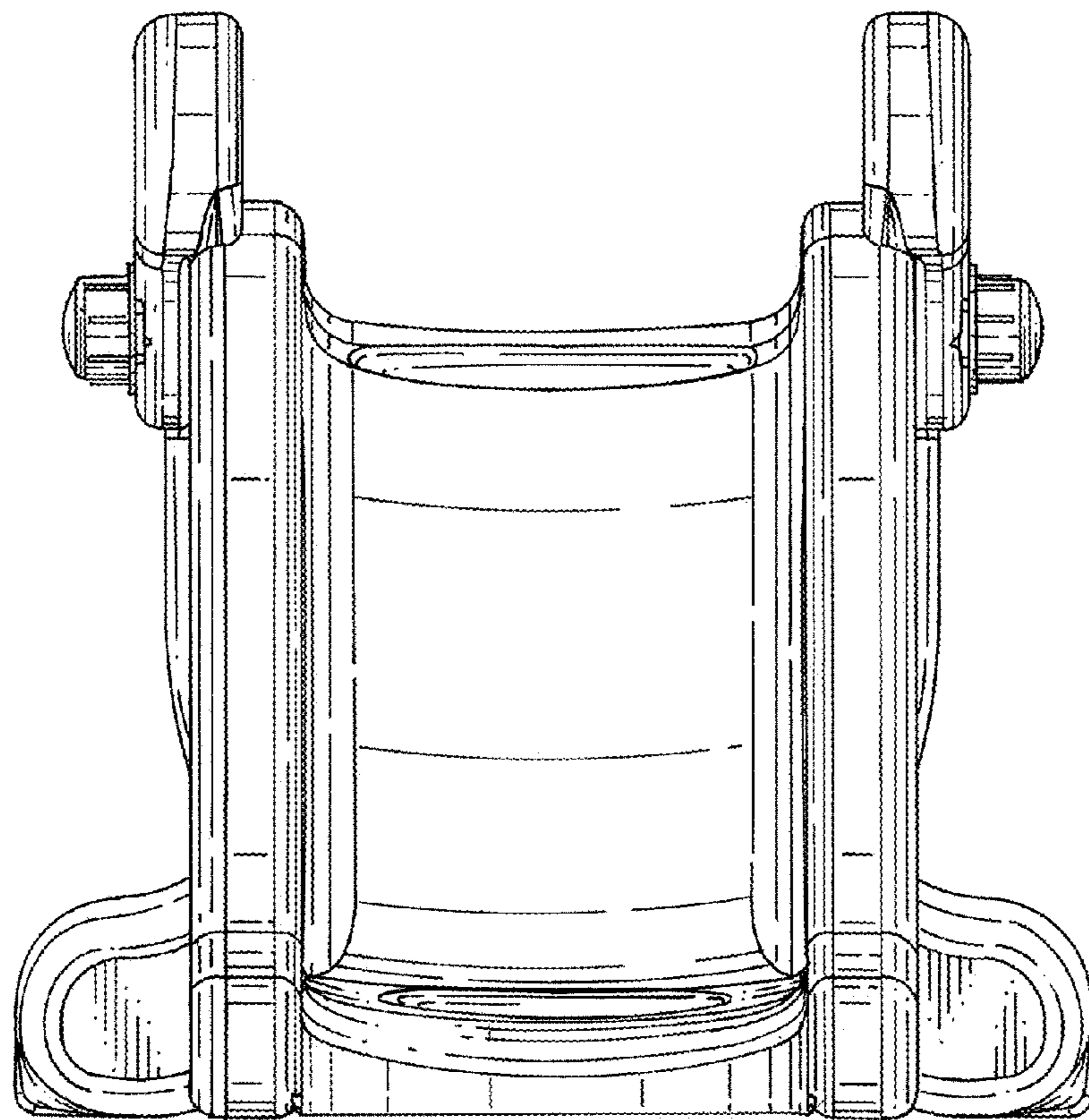


FIG. 12