



US00D752152S

(12) **United States Design Patent**
Kissoon

(10) **Patent No.:** **US D752,152 S**
(45) **Date of Patent:** **** Mar. 22, 2016**

(54) **GAME CONTROLLER BUTTON EXTENDER**

(71) Applicant: **Aran N. Kissoon**, Richfield, MN (US)

(72) Inventor: **Aran N. Kissoon**, Richfield, MN (US)

(**) Term: **14 Years**

(21) Appl. No.: **29/516,719**

(22) Filed: **Feb. 5, 2015**

(51) **LOC (10) Cl.** **21-01**

(52) **U.S. Cl.**

USPC **D21/333**

(58) **Field of Classification Search**

USPC D14/399-401, 412-418; 273/148 B;
463/1, 29-39, 46, 47; 345/156-161,
345/905; D21/333, 328

CPC A63F 13/02; A63F 9/24; A63F 13/12;
A63F 9/00; A63F 11/00; A63F 71/00; G06F
3/02; G06F 3/033; G09G 5/00

See application file for complete search history.

(56) **References Cited**

U.S. PATENT DOCUMENTS

D265,192 S * 6/1982 Noeth, Jr. D13/174
D431,606 S * 10/2000 Shimomura D21/333
6,322,449 B1 * 11/2001 Klitsner A63F 13/06
273/241
D487,749 S * 3/2004 Stewart D14/454
6,740,830 B2 * 5/2004 Sato H01H 21/24
200/343

6,769,689 B1 * 8/2004 Shimomura A63F 13/02
273/148 B
7,479,611 B1 * 1/2009 Robson B62J 6/16
200/330
D666,681 S * 9/2012 Coulter D14/400
8,480,491 B2 * 7/2013 Burgess A63F 13/06
463/36
D714,872 S * 10/2014 Chung D14/401
8,910,915 B2 * 12/2014 Wibby A47B 23/043
206/45.2
D728,030 S * 4/2015 Burgess D21/333
D740,371 S * 10/2015 Ries D21/333

* cited by examiner

Primary Examiner — Prabhakar Deshmukh

(74) *Attorney, Agent, or Firm* — Schwegman Lundberg & Woessner, P.A.

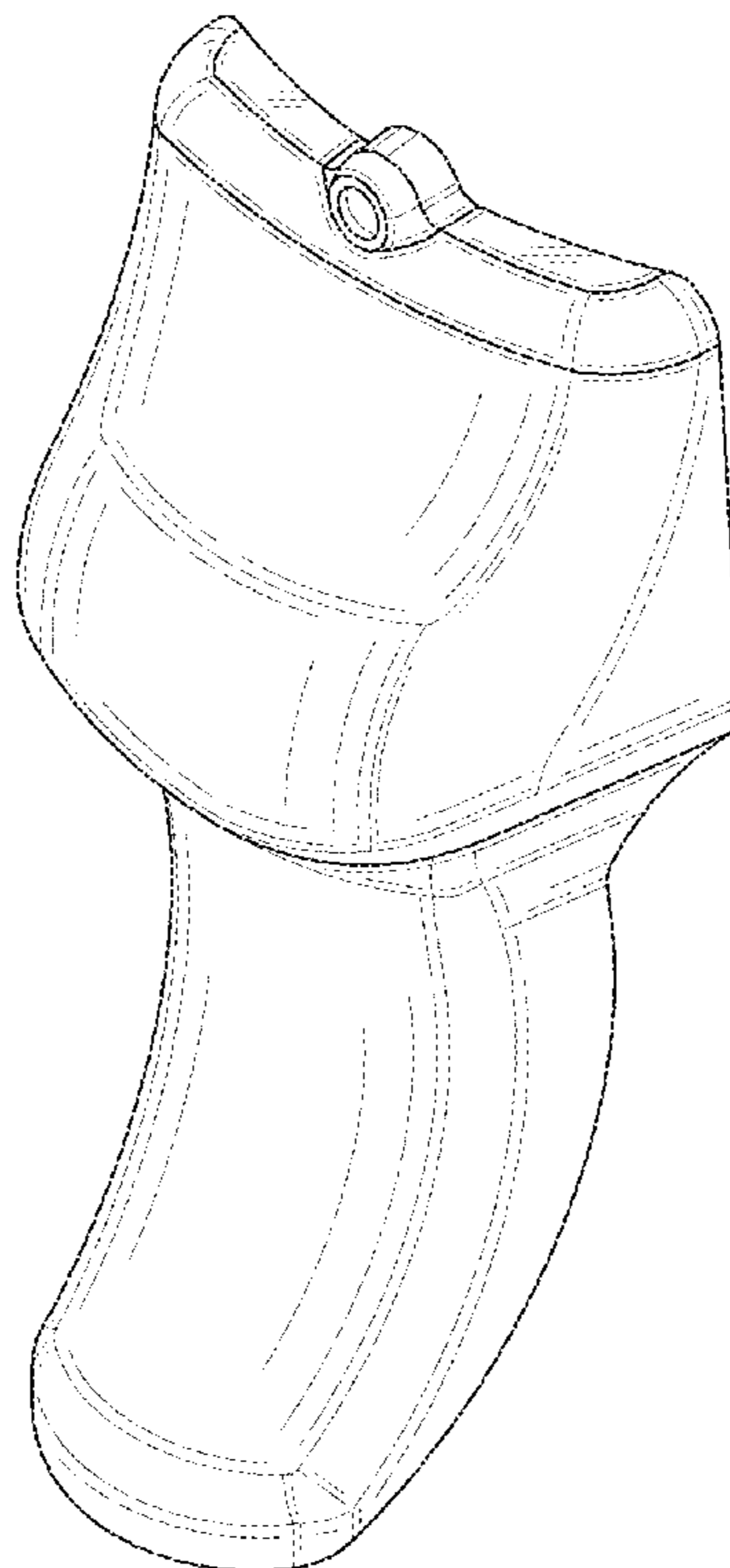
(57) **CLAIM**

The ornamental design for a game controller button extender, as shown and described.

DESCRIPTION

FIG. 1 is a perspective view of a game controller button extender, showing my new design; FIG. 2 is a front elevation view thereof; FIG. 3 is a back elevation view thereof; FIG. 4 is a right side elevation view thereof; FIG. 5 is a left side elevation view thereof; FIG. 6 is a top plan view thereof; and, FIG. 7 is a bottom plan view thereof. The broken lines in FIGS. 3 and 7 illustrate environment and form no part of the claimed design.

1 Claim, 6 Drawing Sheets



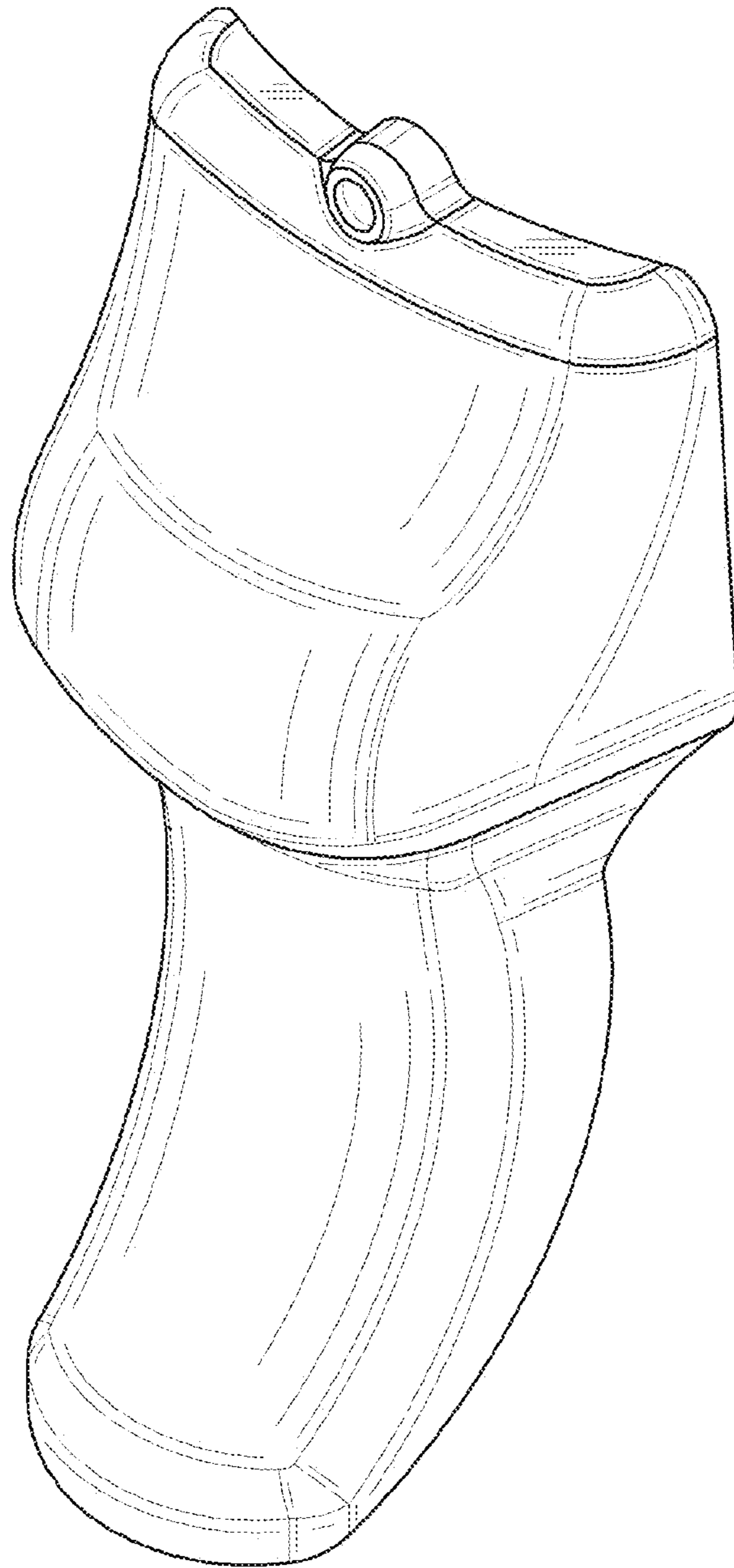


FIG. 1

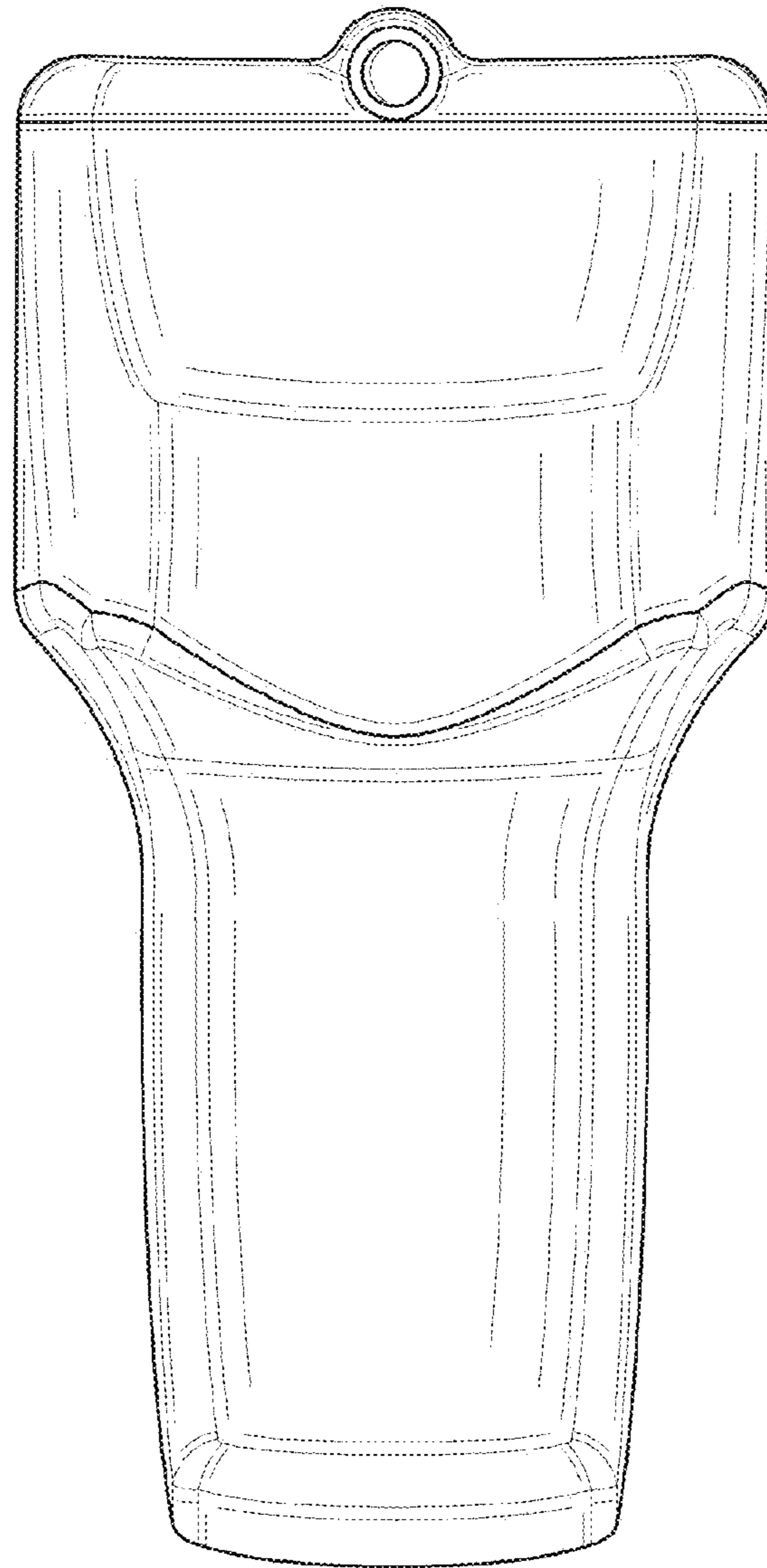


FIG. 2

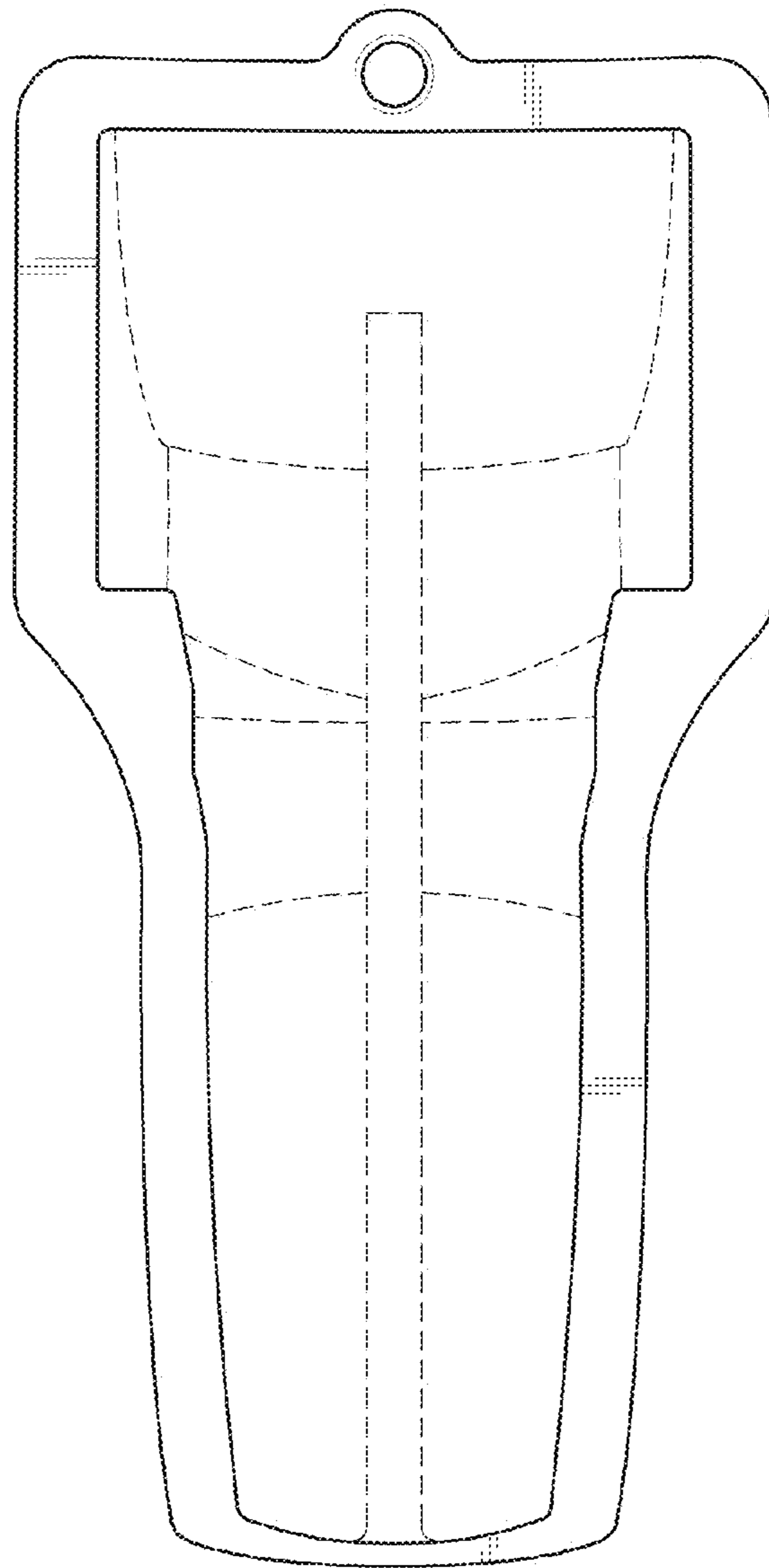


FIG. 3

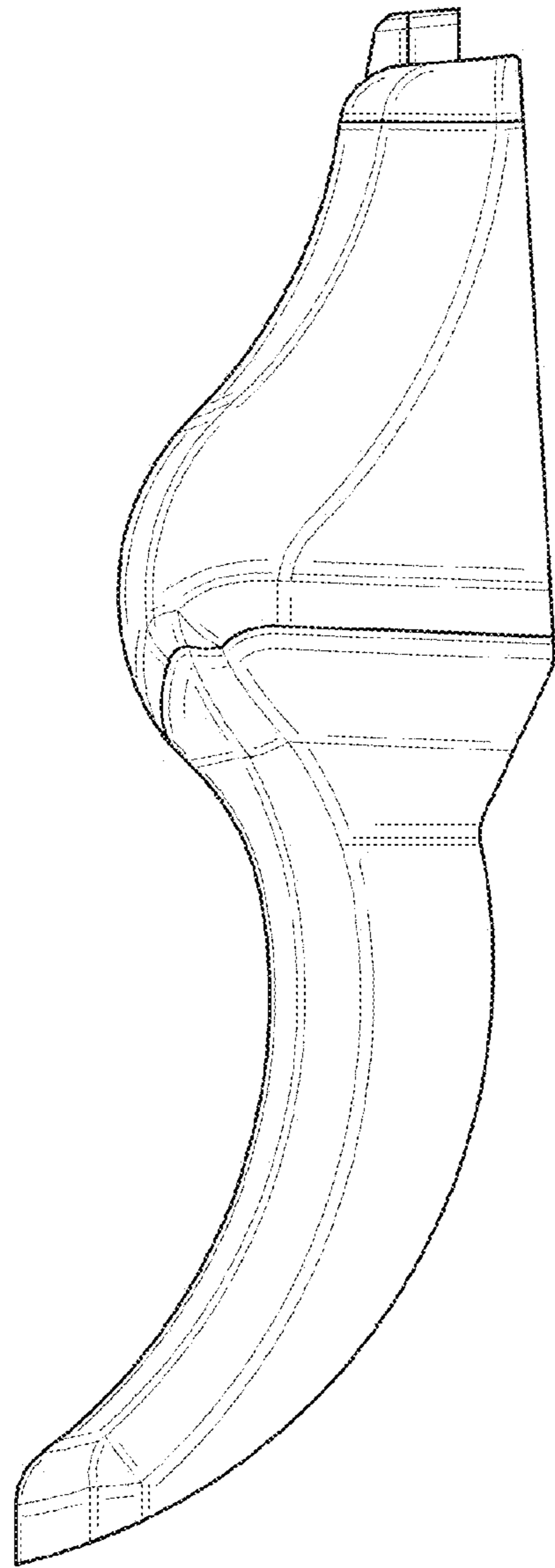


FIG. 4

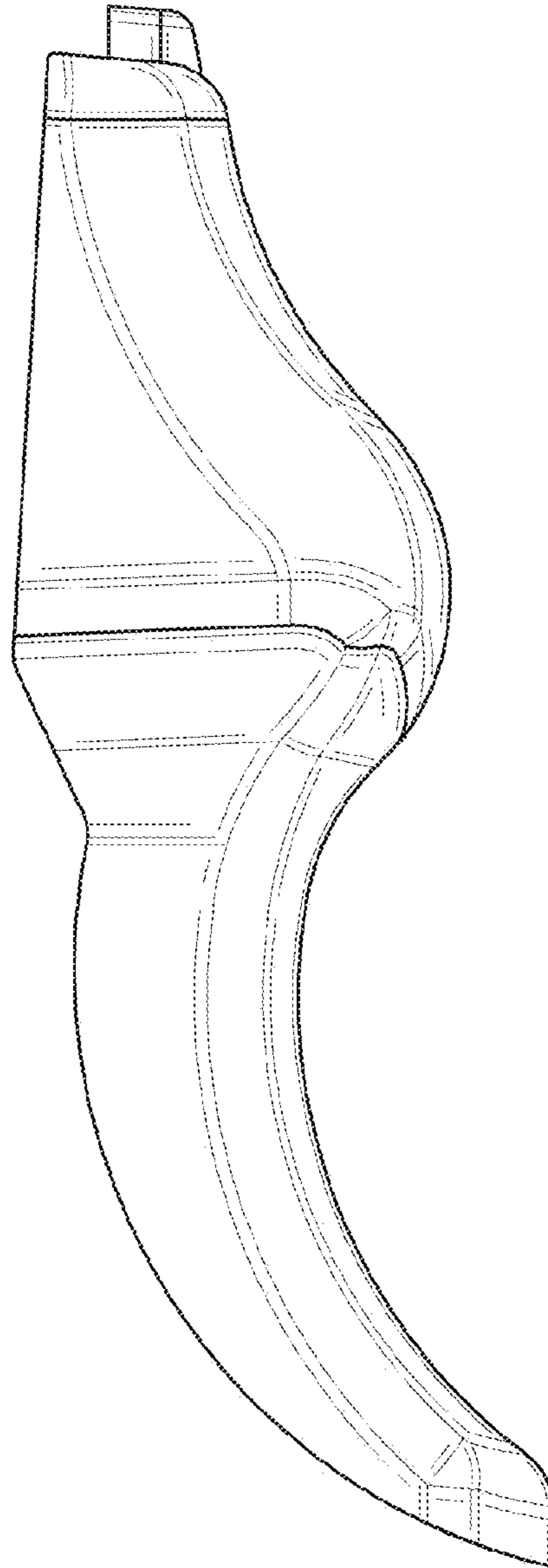


FIG. 5

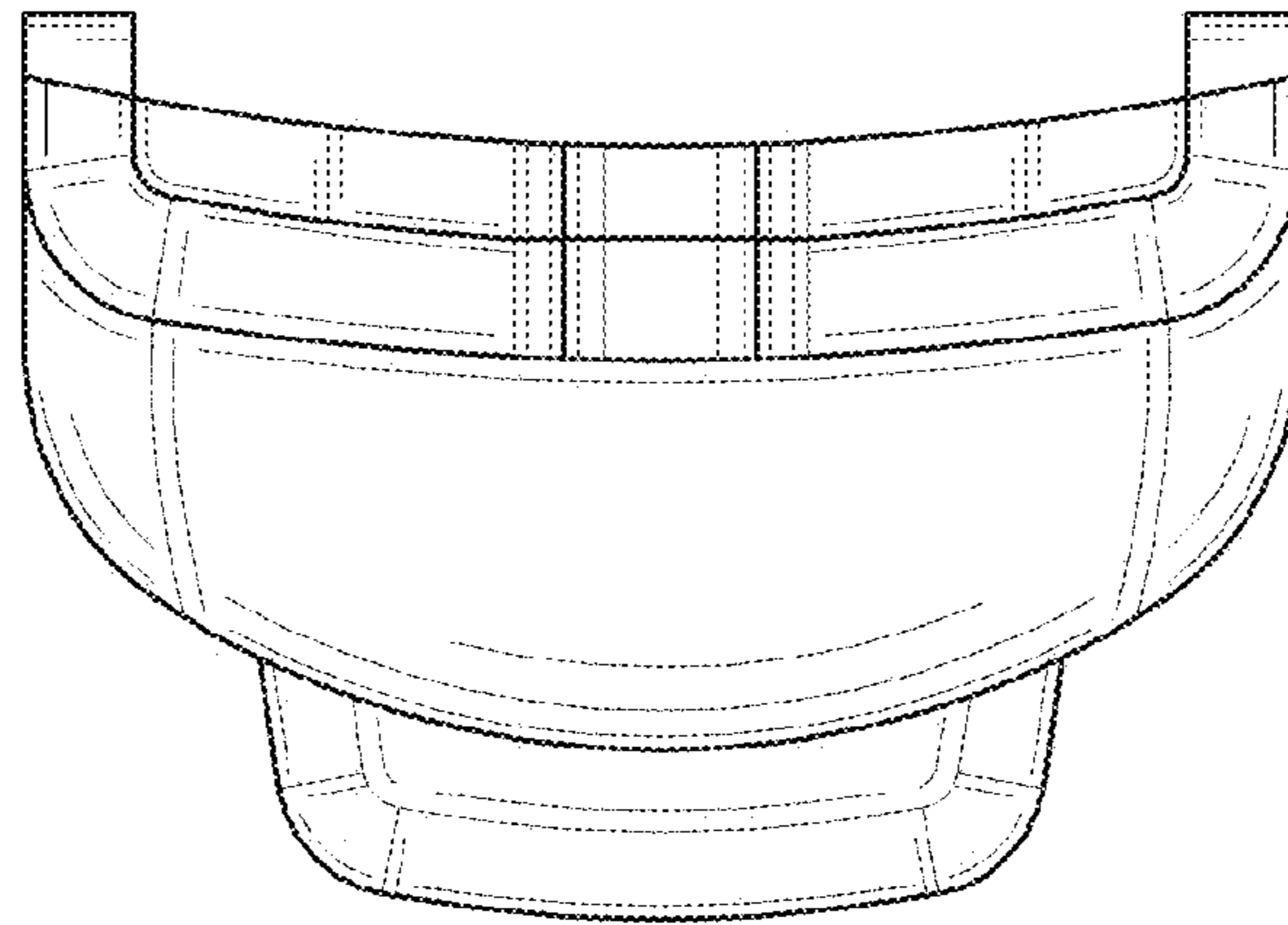


FIG. 6

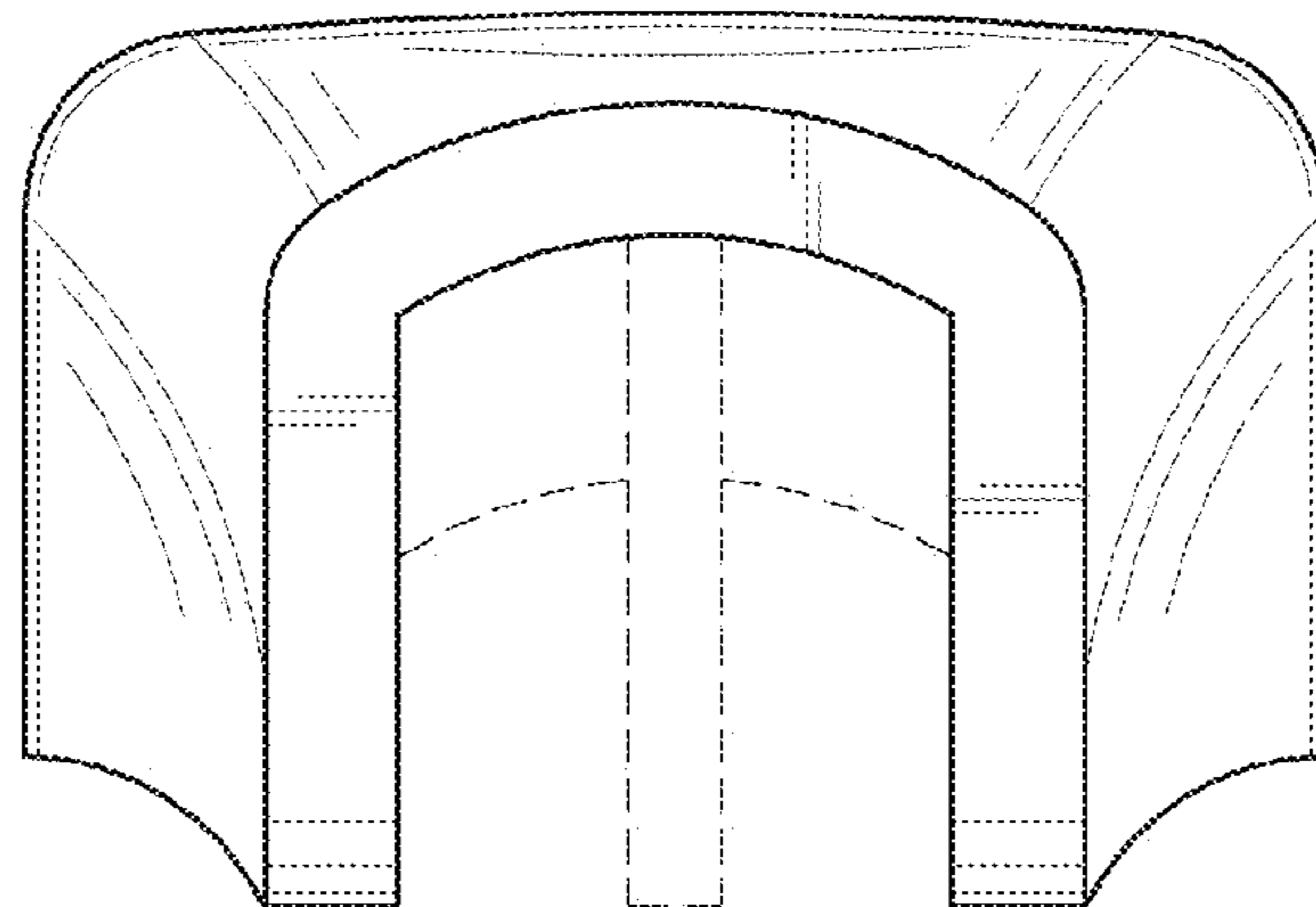


FIG. 7