



US00D752150S

(12) **United States Design Patent**
Young et al.

(10) **Patent No.:** **US D752,150 S**
(45) **Date of Patent:** **** Mar. 22, 2016**

(54) **GAME CONTROLLER**

(71) Applicant: **MAD CATZ INTERACTIVE, INC.**,
San Diego, CA (US)

(72) Inventors: **Andrew Brian Young**, Oakdale (GB);
Robert Ian Hall, Bristol (GB)

(73) Assignee: **MAD CATZ INTERACTIVE, INC.**,
San Diego, CA (US)

(**) Term: **14 Years**

(21) Appl. No.: **29/507,802**

(22) Filed: **Oct. 30, 2014**

(51) **LOC (10) Cl.** **21-01**

(52) **U.S. Cl.**
USPC **D21/333; D14/401**

(58) **Field of Classification Search**
USPC D14/399-401, 412-416, 217, 496;
D21/324, 333, 328; 273/148 B; 463/1,
463/29-39, 46, 47; 345/156-161, 905, 30
CPC A63F 3/00; A63F 7/00; A63F 9/24
See application file for complete search history.

(56) **References Cited**

U.S. PATENT DOCUMENTS

6,231,444 B1 * 5/2001 Goto A63F 13/06
273/148 B
6,342,009 B1 * 1/2002 Soma A63F 13/06
273/148 B

D469,437 S * 1/2003 Hussaini D14/401
D469,766 S * 2/2003 Hussaini D14/401
6,743,100 B1 * 6/2004 Neiser A63F 13/06
273/148 B
6,998,548 B2 * 2/2006 Huang H01H 9/0214
200/5 R
7,063,321 B2 * 6/2006 Hussaini A63F 13/06
273/148 B
D544,924 S * 6/2007 Meyer D21/328
D545,317 S * 6/2007 Wang D14/401
D608,784 S * 1/2010 Biheller D14/401
D672,397 S * 12/2012 Wai D14/401
D715,296 S * 10/2014 Huang D14/401
D715,362 S * 10/2014 He D14/401

* cited by examiner

Primary Examiner — Prabhakar Deshmukh

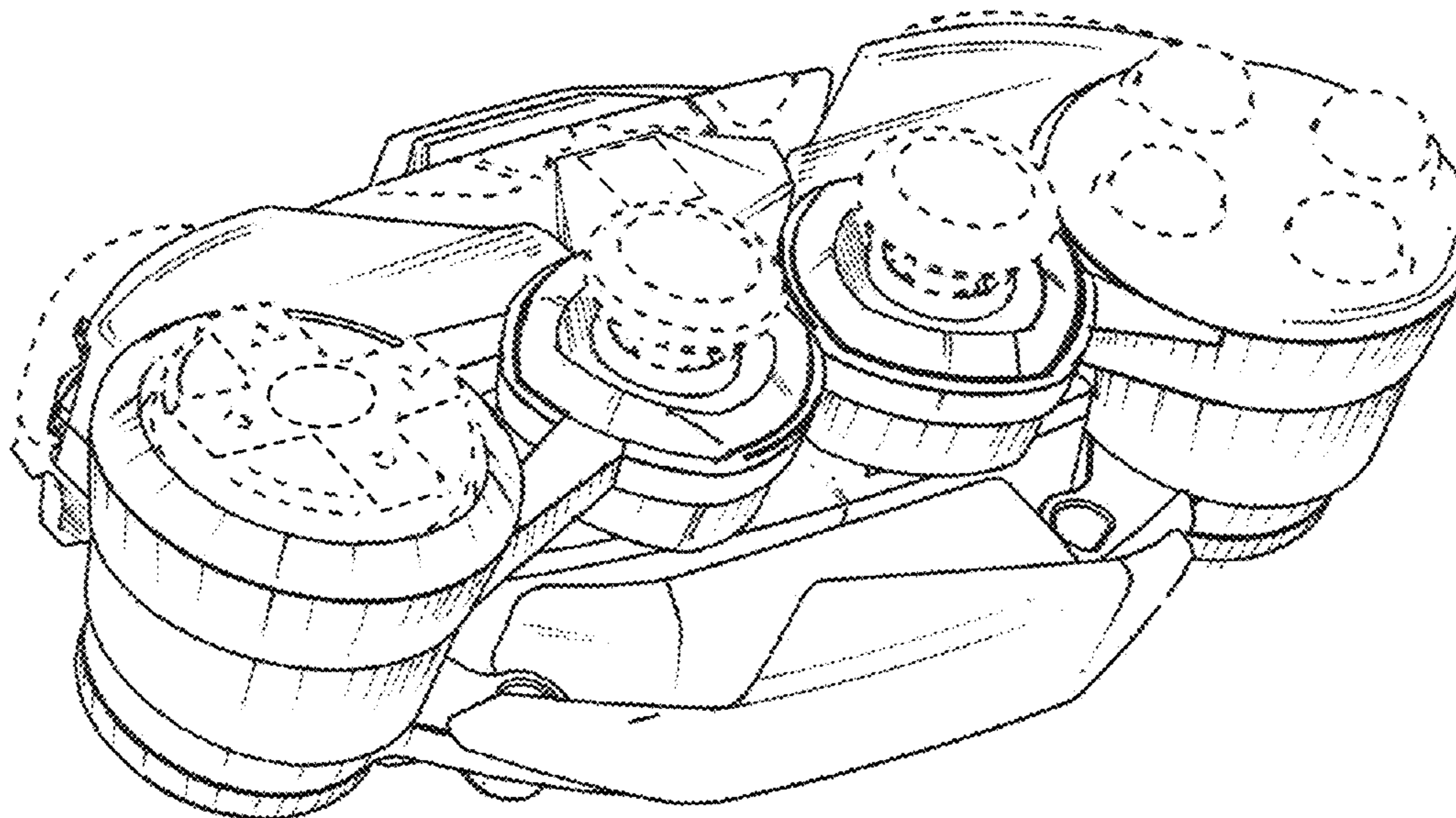
(57) **CLAIM**

The ornamental design for a game controller, as shown and described.

DESCRIPTION

FIG. 1 is a first perspective view of a game controller;
FIG. 2 is a front view thereof;
FIG. 3 is a rear view thereof;
FIG. 4 is a left side view thereof;
FIG. 5 is a right side view thereof;
FIG. 6 is a top view thereof; and,
FIG. 7 is a bottom view thereof.
The broken lines in the drawings form no part of the claimed design.

1 Claim, 7 Drawing Sheets



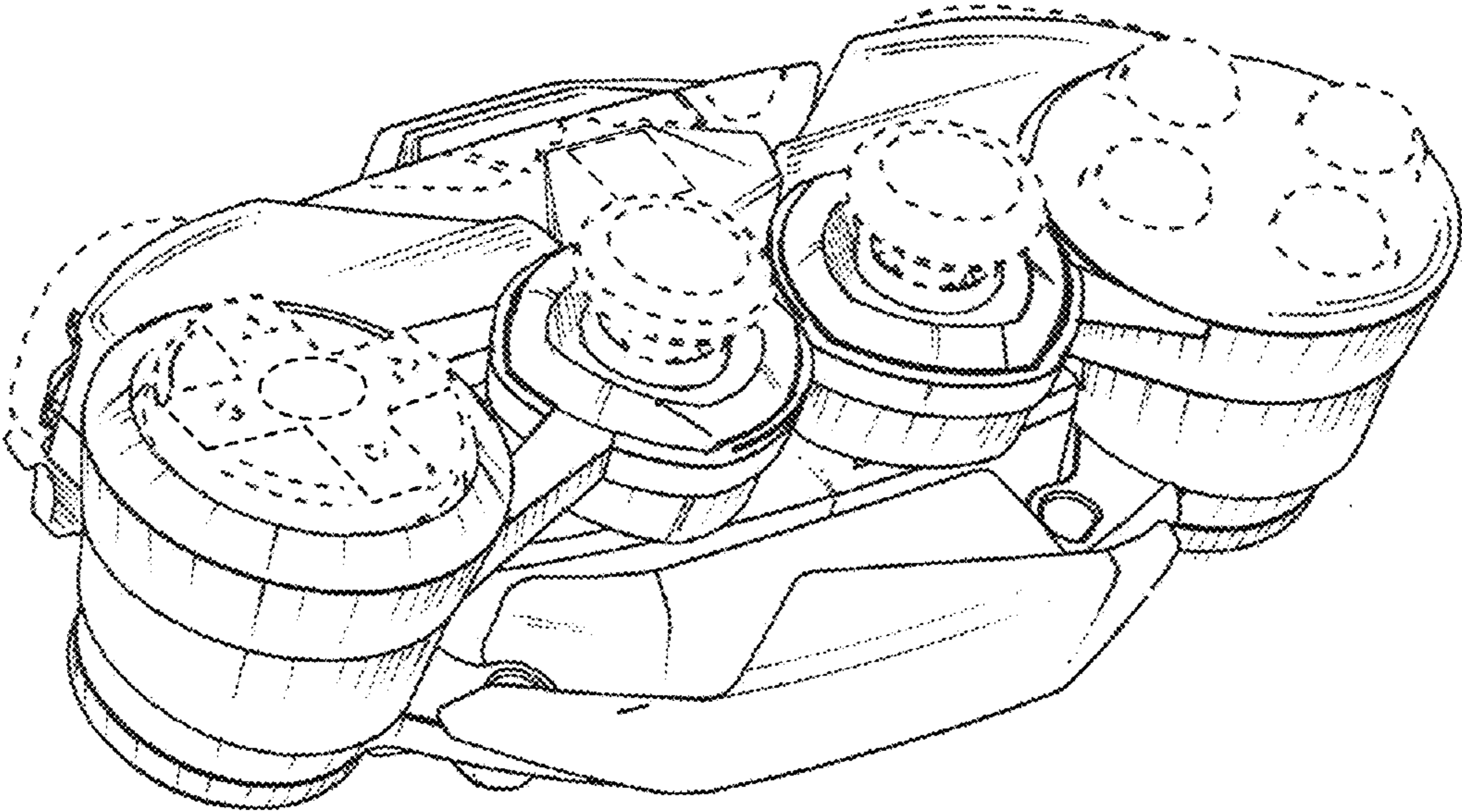


FIG. 1

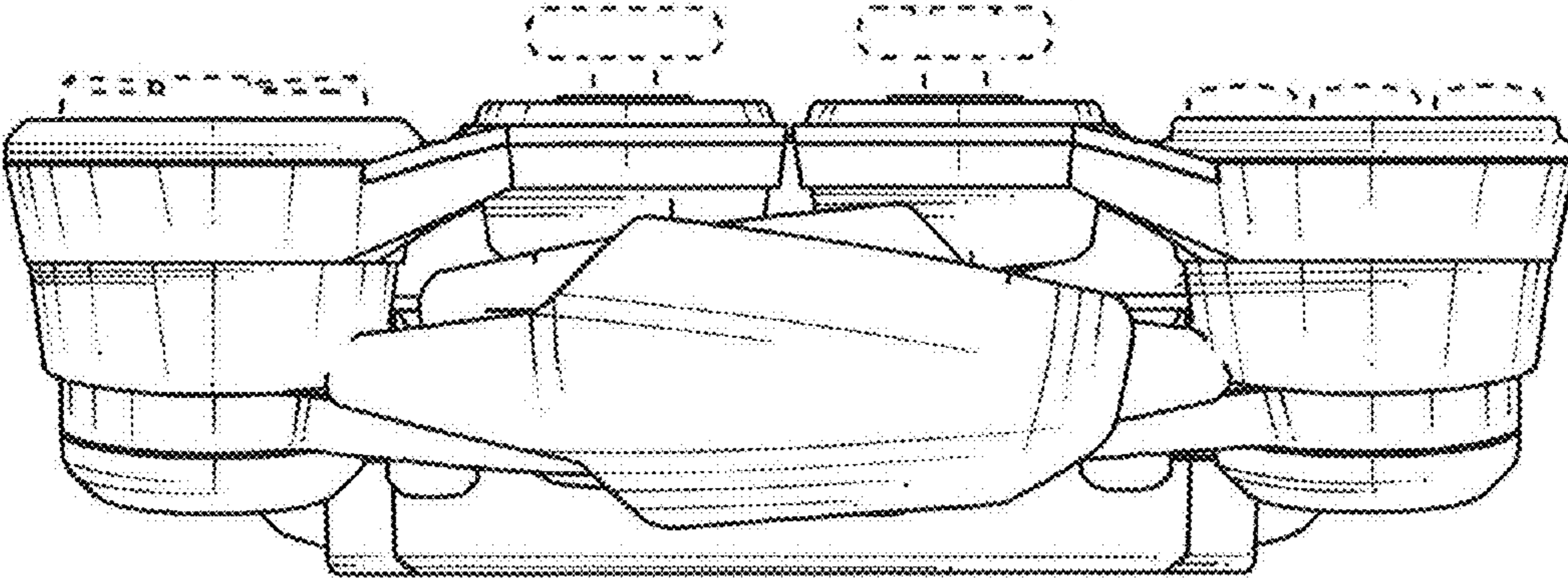


FIG. 2

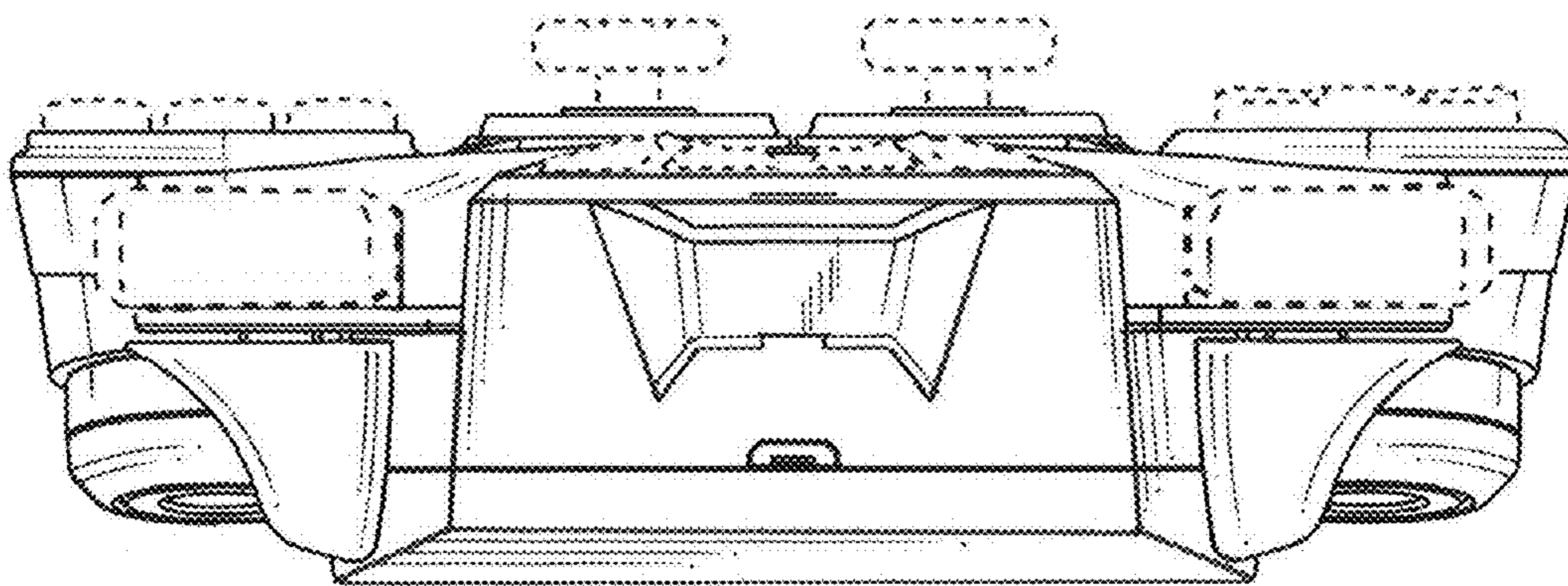


FIG. 3

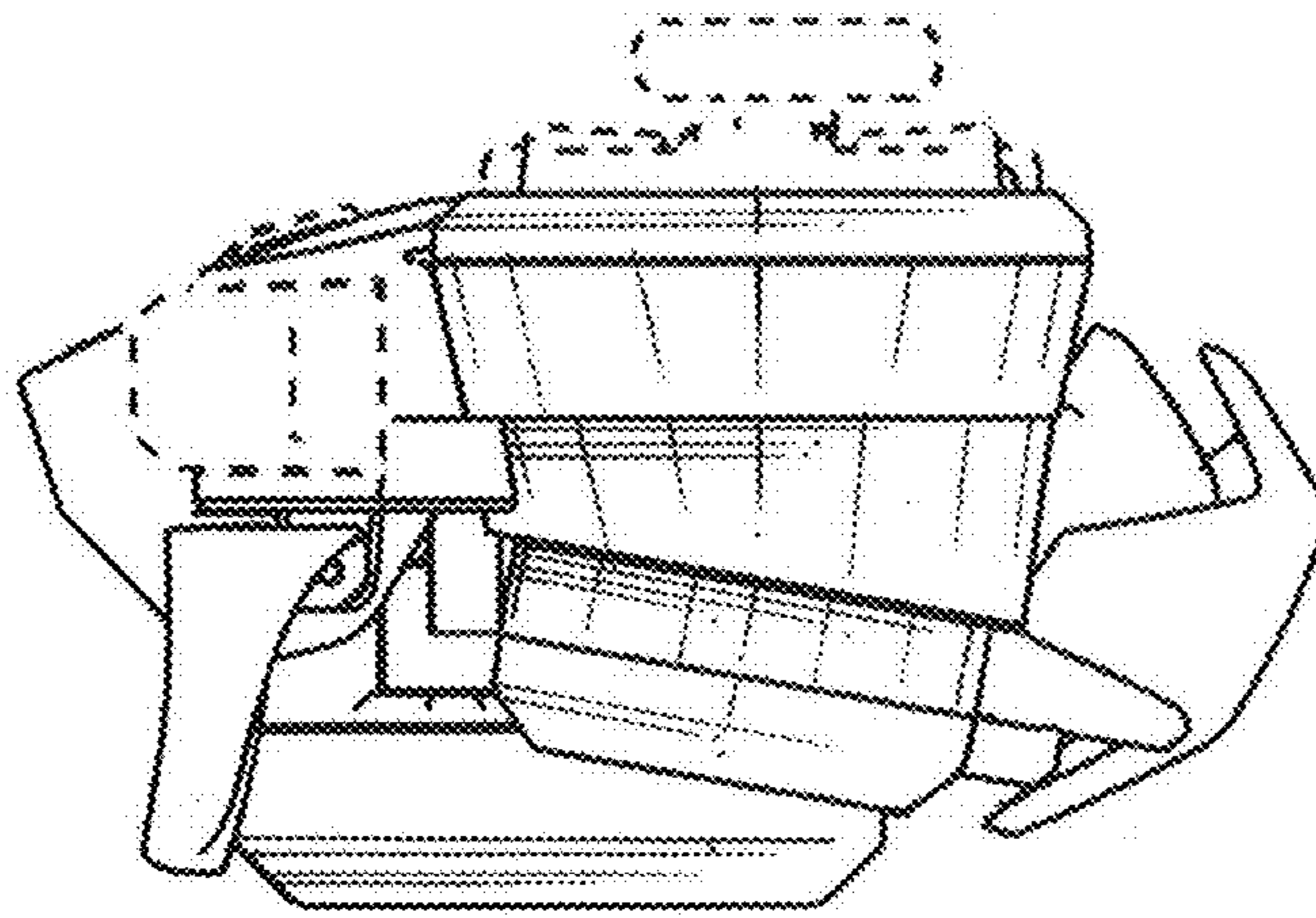


FIG. 4

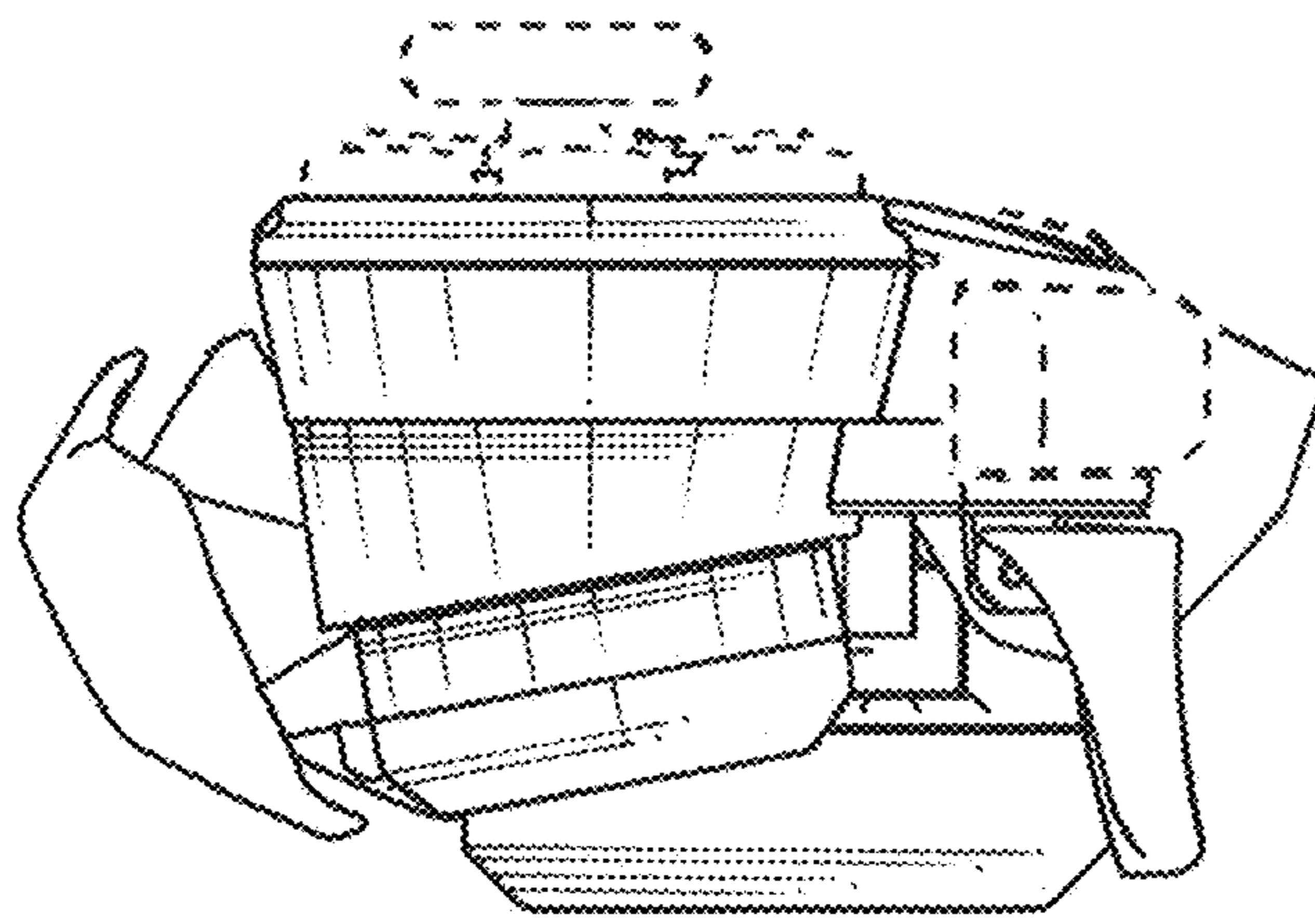


FIG. 5

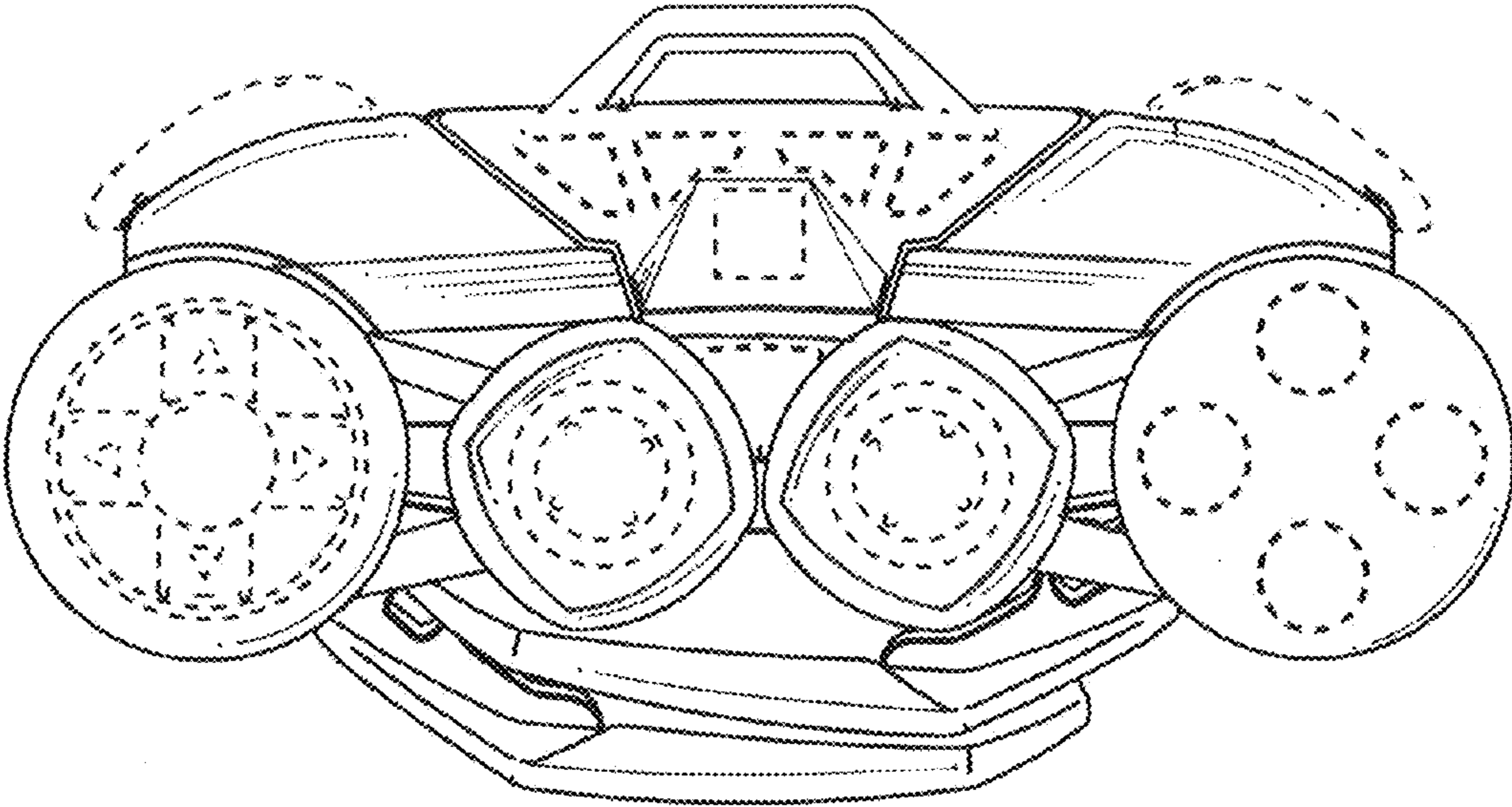


FIG. 6

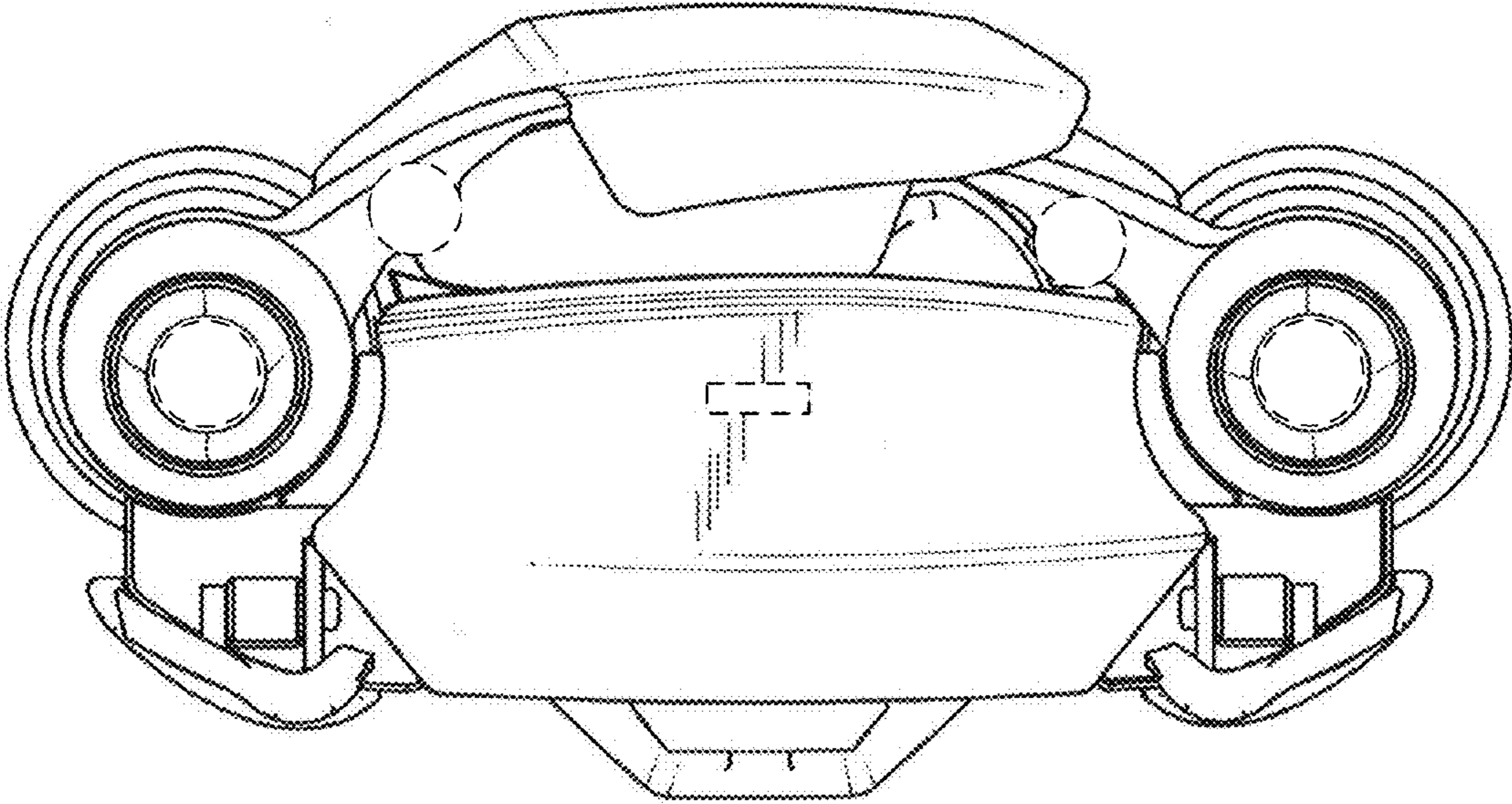


FIG. 7