



US00D752146S

(12) **United States Design Patent**
Candela

(10) **Patent No.:** **US D752,146 S**
(45) **Date of Patent:** **** Mar. 22, 2016**

(54) **MARKER**
(71) Applicant: **F.I.L.A.—FABBRICA ITALIANA**
LAPIS ED AFFINI S.P.A., Milan (MI)
(IT)
(72) Inventor: **Massimo Candela, Milan (IT)**
(73) Assignee: **F. I. L. A.—FABBRICA ITALIANA**
LAPIS ED AFFINI S.P.A., Pero (IT)

2,883,969 A 4/1959 Sams
2,972,335 A 2/1961 Grube et al.
4,798,582 A 1/1989 Sarath et al.
4,826,341 A 5/1989 Kwak
D303,992 S 10/1989 Grotsch
5,048,989 A 9/1991 Stageman
D322,282 S 12/1991 Mishima
5,165,814 A 11/1992 Buda
5,577,850 A 11/1996 Mishima
D378,762 S 4/1997 Kikuchi et al.
D386,526 S 11/1997 Ito
5,961,367 A * 10/1999 Morris A01M 31/04
401/84
6,123,476 A 9/2000 Rosenthal
7,172,359 B2 2/2007 Mock
D580,976 S 11/2008 Kida et al.
D582,479 S 12/2008 Cetera
D601,192 S 9/2009 Chen

(**) Term: **14 Years**
(21) Appl. No.: **29/516,529**
(22) Filed: **Feb. 3, 2015**

(30) **Foreign Application Priority Data**
Jan. 14, 2015 (EM) 2613083
(51) **LOC (10) Cl.** **19-06**
(52) **U.S. Cl.**
USPC **D19/164; D19/927; D19/934**
(58) **Field of Classification Search**
USPC D14/411; D19/115–204, 904, 905, 906,
D19/913, 914, 916, 917, 918, 927; 24/11 F,
24/11 P, 11 R; 401/192, 195, 196
CPC B43K 7/00; B43K 7/005; B43K 7/12;
B43K 8/00; B43K 8/003; B43K 8/02; B43K
8/022; B43K 8/024; B43K 21/027; B43K
21/18

See application file for complete search history.

(56) **References Cited**
U.S. PATENT DOCUMENTS

1,578,565 A 3/1926 Wahl
1,861,466 A 6/1932 Bafetti
2,452,504 A 10/1948 Tefft
2,608,953 A 9/1952 Kollsman
2,803,219 A 8/1957 Stoerberl
2,871,824 A 2/1959 Sams

(Continued)

FOREIGN PATENT DOCUMENTS

EP 1857014 A2 11/2007
EP 2201859 A1 6/2010

(Continued)

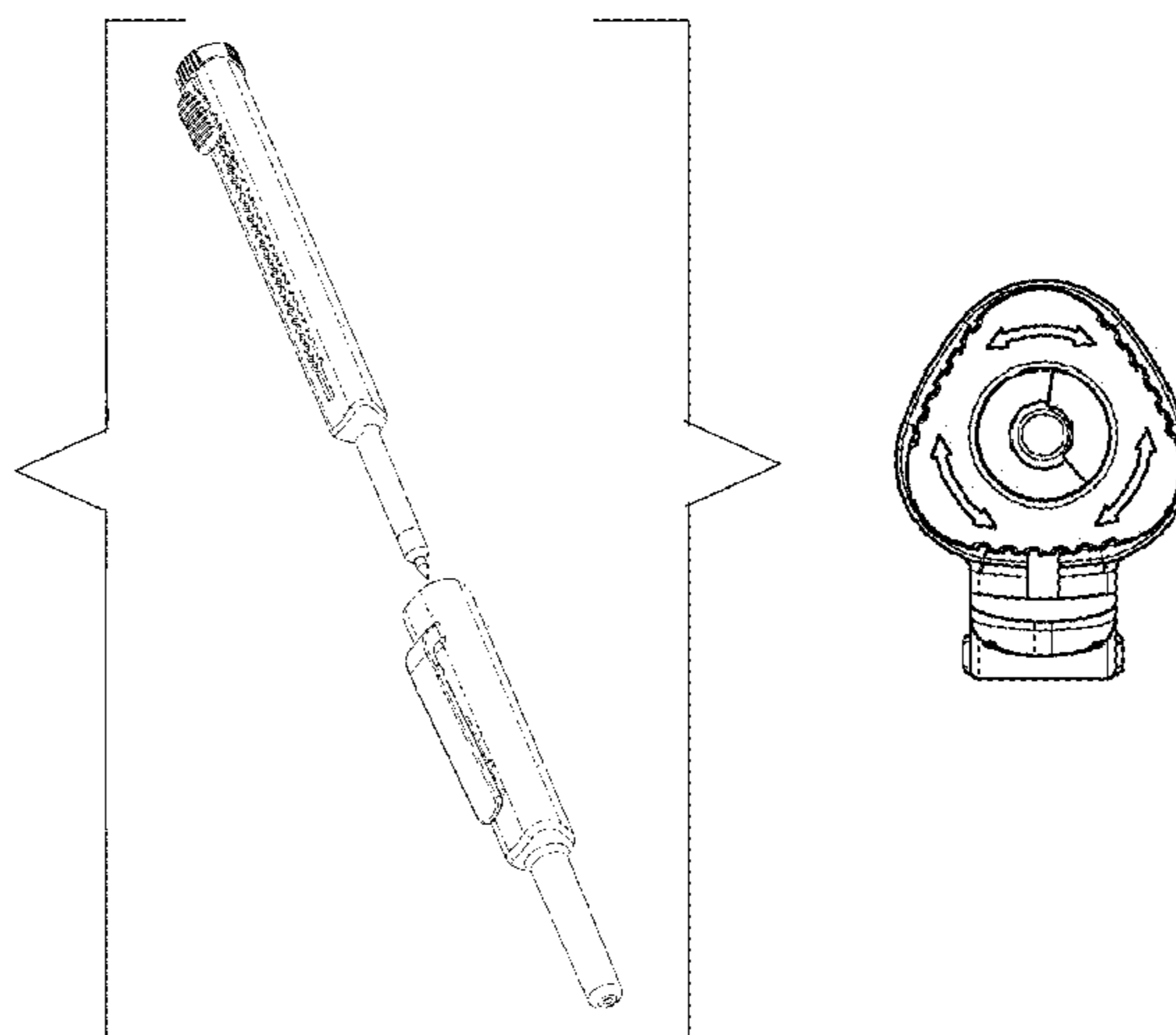
Primary Examiner — Elizabeth Albert
(74) *Attorney, Agent, or Firm* — Pearne & Gordon LLP

(57) **CLAIM**
The ornamental design for a marker, as shown and described.

DESCRIPTION

FIG. 1 is a perspective view of a marker, showing my new design;
FIG. 2 is an exploded view thereof;
FIG. 3 is a front elevational view thereof;
FIG. 4 is a back elevational view thereof;
FIG. 5 is a left side elevational view thereof, the right side elevational view being a mirror image thereof;
FIG. 6 is a top plan view thereof; and,
FIG. 7 is a bottom plan view thereof.

1 Claim, 6 Drawing Sheets



(56)

References Cited

U.S. PATENT DOCUMENTS

D604,768 S 11/2009 Andoh et al.
D670,699 S 11/2012 Sato
D671,167 S 11/2012 Nichols et al.
8,439,587 B2 5/2013 Okabe
D705,868 S 5/2014 Harrison
D714,386 S 9/2014 Au

2007/0274767 A1 11/2007 Greenberg
2014/0369735 A1* 12/2014 Candela B43K 21/027
401/66

FOREIGN PATENT DOCUMENTS

GB 2277905 A 11/1994
WO 2008146554 A1 12/2008

* cited by examiner

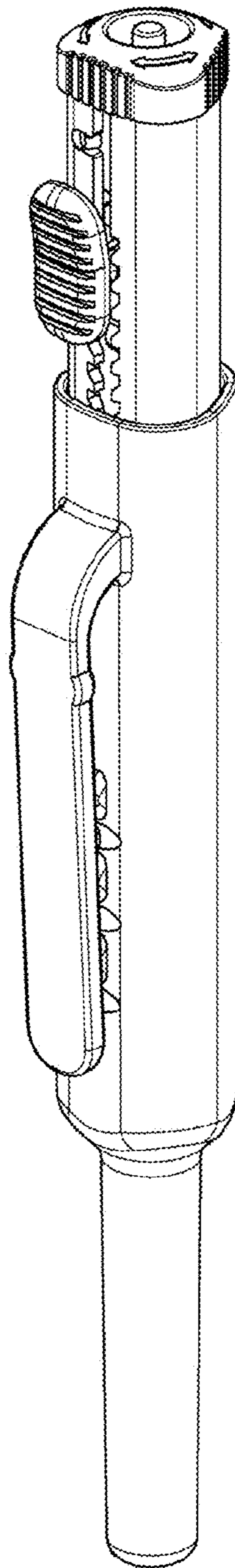


FIG. 1

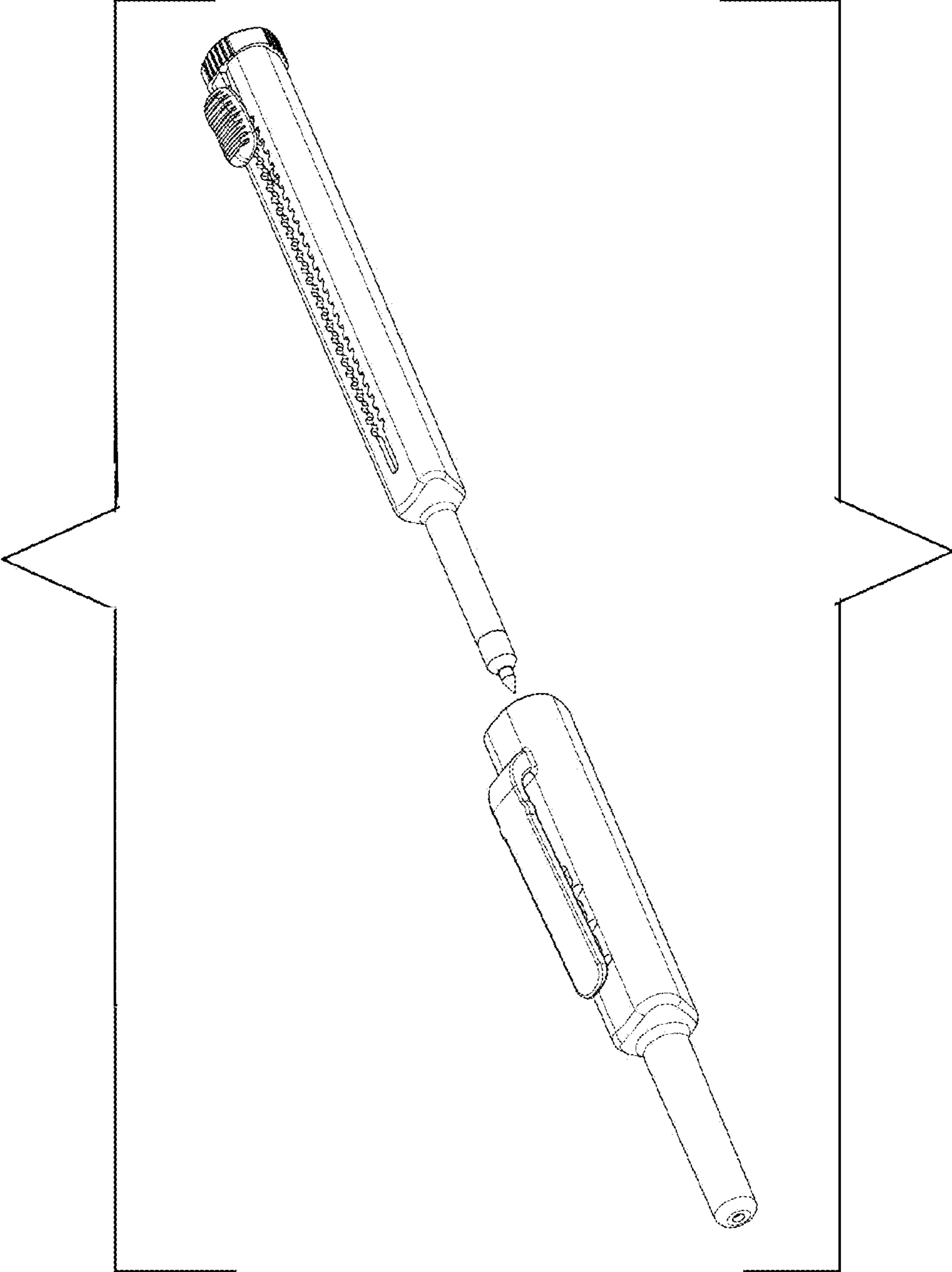


FIG. 2

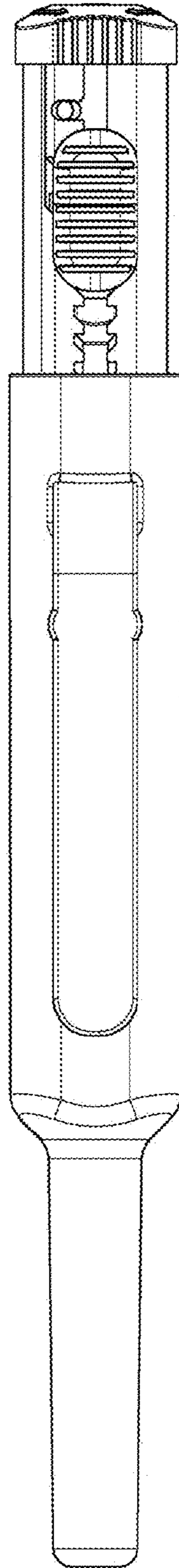


FIG. 3

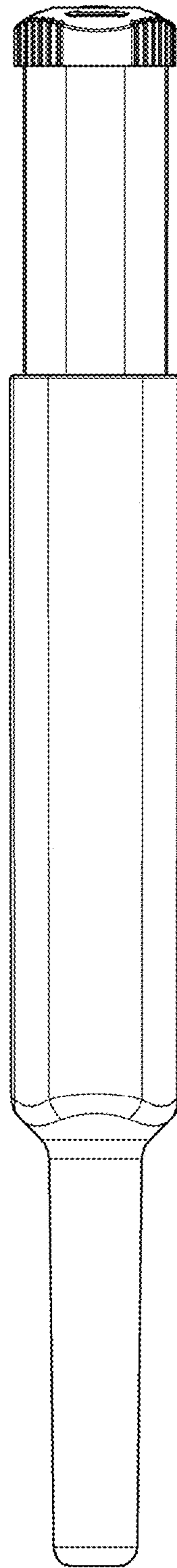


FIG. 4

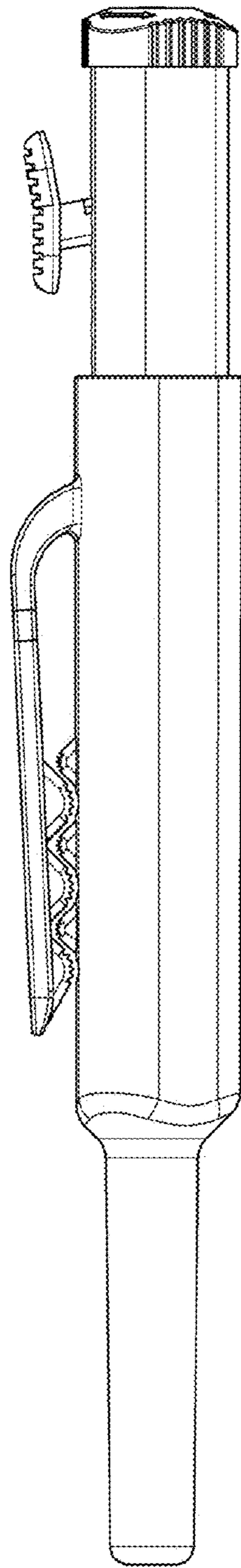


FIG. 5

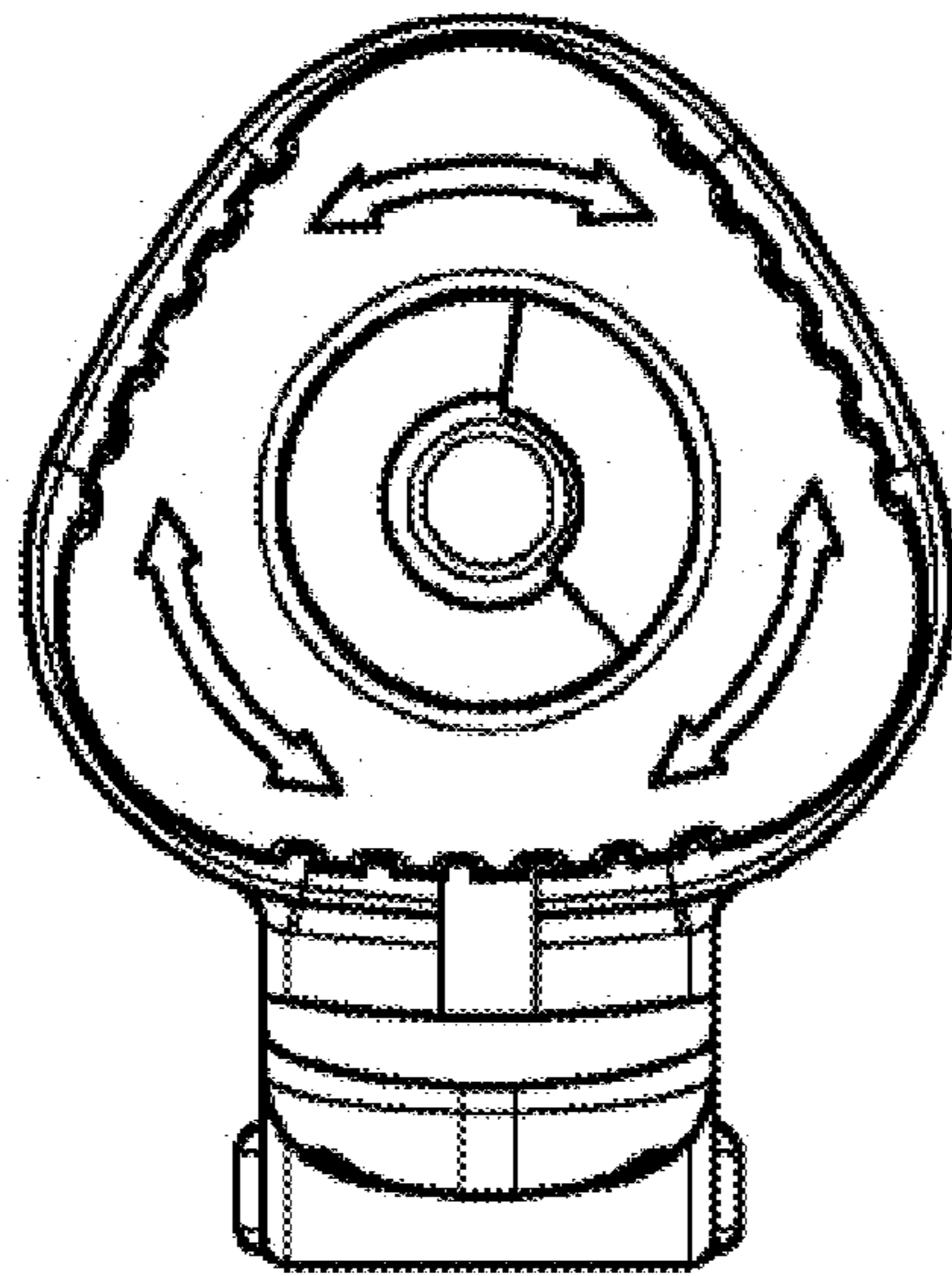


FIG. 6

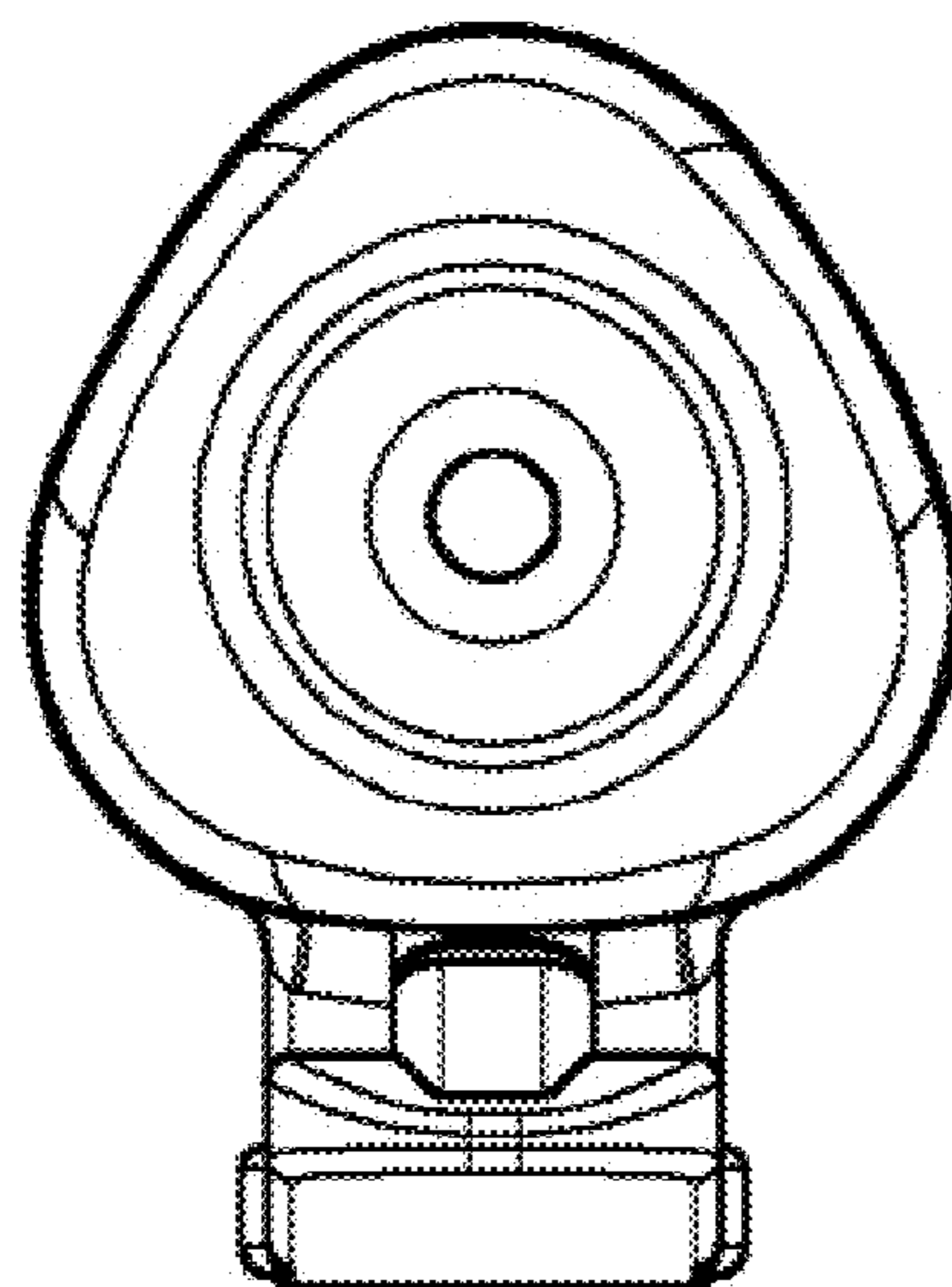


FIG. 7