



US00D752144S

(12) **United States Design Patent**
Rowe et al.

(10) **Patent No.:** **US D752,144 S**
(45) **Date of Patent:** **** Mar. 22, 2016**

- (54) **FOLDER WITH FLAP FEATURES**
- (71) Applicant: **ACCO Brands Corporation**, Lake Zurich, IL (US)
- (72) Inventors: **Michael D. Rowe**, Medway, OH (US);
Scot B. Herbst, Santa Cruz, CA (US);
Peter M. Bartlett, Bellbrook, OH (US);
Megan C. Lapointe, Burlington (CA)
- (73) Assignee: **ACCO BRANDS CORPORATION**, Lake Zurich, IL (US)

4,856,817	A	8/1989	Moor	
D311,419	S	* 10/1990	Moor D19/27
D312,278	S	* 11/1990	Moor D19/26
D313,619	S	1/1991	Moor	
5,020,828	A	6/1991	Moor	
D319,659	S	9/1991	Moor	
D319,660	S	9/1991	Moor	
5,236,226	A	* 8/1993	Sheffield B42F 7/06 281/31
5,351,992	A	* 10/1994	Chilson B42F 13/0006 281/30
D353,836	S	* 12/1994	Carvelli D19/27
D359,310	S	* 6/1995	Su D19/26

(Continued)

- (**) Term: **14 Years**
- (21) Appl. No.: **29/525,623**
- (22) Filed: **Apr. 30, 2015**

FOREIGN PATENT DOCUMENTS

CA	110807	1/2009
CA	118573	1/2009

(Continued)

Primary Examiner — Sheryl Lane
Assistant Examiner — Ieisha Price
 (74) *Attorney, Agent, or Firm* — Thompson Hine LLP

Related U.S. Application Data

- (62) Division of application No. 29/450,664, filed on Mar. 20, 2013, now Pat. No. Des. 731,592.
- (51) **LOC (10) Cl.** **19-04**
- (52) **U.S. Cl.**
USPC **D19/27**
- (58) **Field of Classification Search**
USPC D19/20, 21, 22, 26, 27, 100; D3/247,
D3/294, 299
CPC B42F 13/00; B42F 13/0006; B42F 3/00;
B42F 3/04; B42F 5/00; B42F 13/14; B42F
13/16
See application file for complete search history.

(57) **CLAIM**

The ornamental design for a folder with flap features, as shown and described.

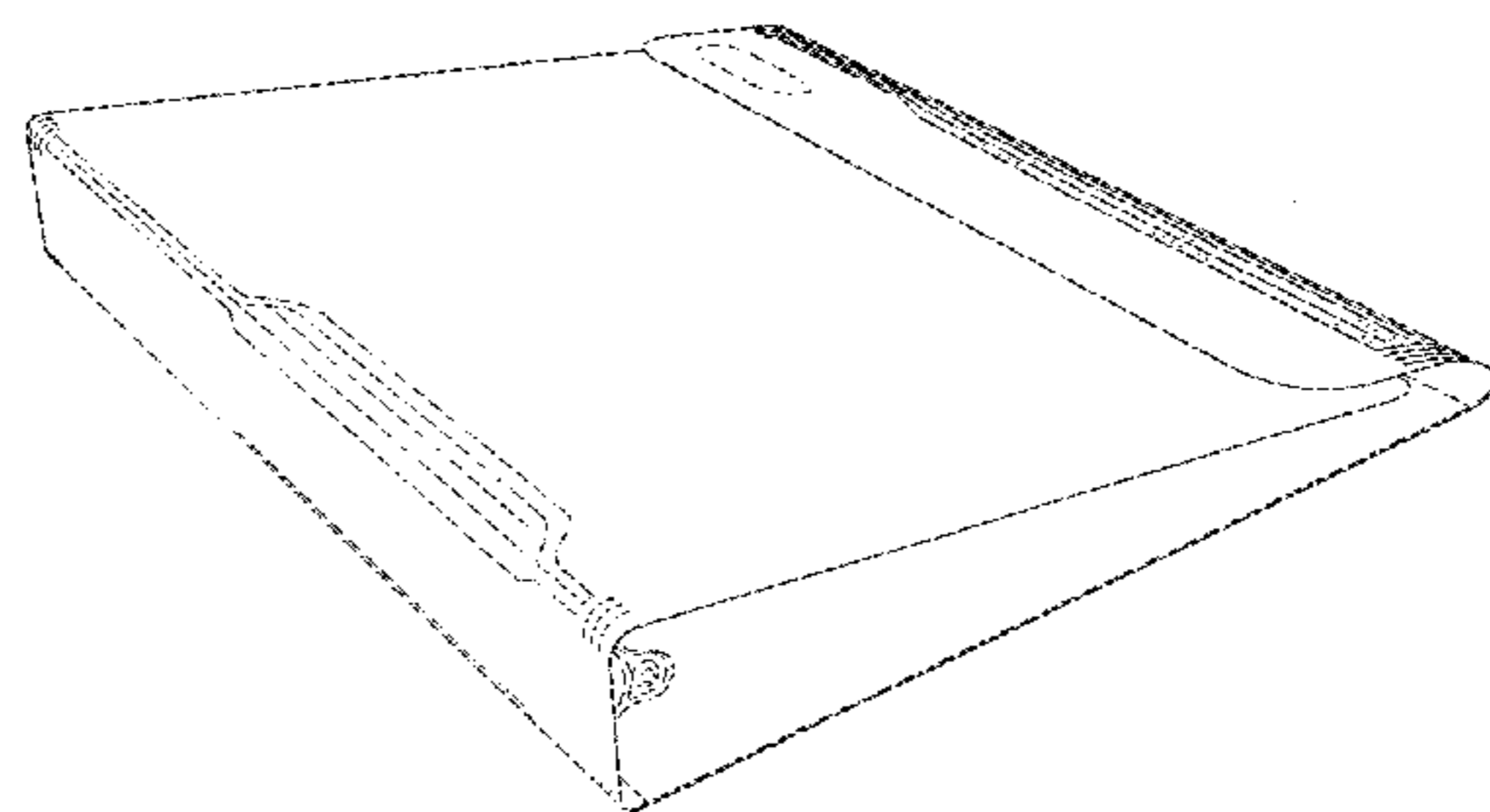
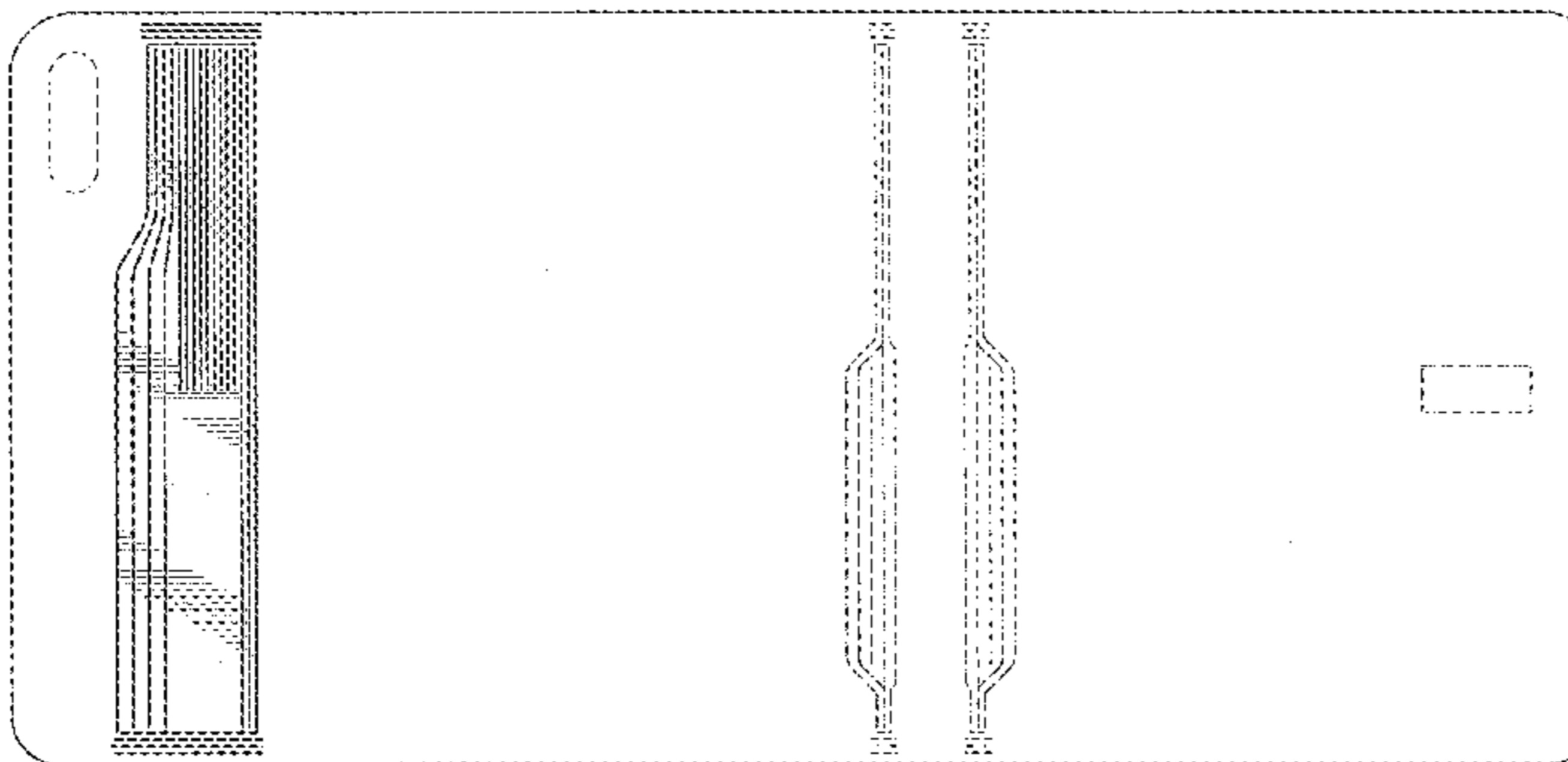
DESCRIPTION

FIG. 1 is a top view of the folder with flap features; FIG. 2 is a top perspective view of the folder with flap features of FIG. 1; and, FIG. 3 is a perspective view of the folder with flap features of FIG. 2, in a folded and closed condition. The broken lines in the drawings illustrate portions of the folder with flap features and form no part of the claimed design. The perimeter of folder with flap features, the features shown in full lines and areas rendered with shading are to be understood to be the claimed design. The surfaces without shading are not the claimed design and form no part thereof.

1 Claim, 3 Drawing Sheets

(56) **References Cited**
U.S. PATENT DOCUMENTS

3,933,375	A	1/1976	Humphrey et al.	
4,219,951	A	9/1980	Schmidt	
4,296,945	A	10/1981	Pavlik	
4,630,843	A	* 12/1986	Willat B42F 13/0013 156/292
4,848,798	A	* 7/1989	Moor B42F 13/0033 281/29



(56)

References Cited

U.S. PATENT DOCUMENTS

D414,801 S * 10/1999 Karten D19/26
 D431,049 S * 9/2000 Moor D19/26
 D446,241 S 8/2001 Moor
 D486,854 S 2/2004 Wehmeyer et al.
 D557,739 S 12/2007 Bharna
 D557,740 S 12/2007 Bharna
 D558,267 S 12/2007 Bharna
 D569,426 S 5/2008 Stockstill et al.
 D574,889 S 8/2008 Stockstill et al.
 D576,673 S 9/2008 Petrie
 D577,381 S 9/2008 Stockstill et al.
 D577,382 S 9/2008 Stockstill et al.
 D577,767 S 9/2008 Stockstill et al.
 D581,458 S 11/2008 Stockstill et al.
 D585,092 S 1/2009 Stockstill et al.
 D586,390 S 2/2009 Stockstill et al.
 D588,635 S 3/2009 Stockstill et al.

D591,343 S 4/2009 Hussy et al.
 D618,277 S * 6/2010 Baker D19/27
 D638,470 S 5/2011 Stockstill et al.
 D731,592 S * 6/2015 Rowe D19/27
 2008/0174412 A1 7/2008 Sward et al.
 2012/0241507 A1* 9/2012 Rowe A45C 11/18
 229/67.3

FOREIGN PATENT DOCUMENTS

CA	118574	1/2009
CA	121194	1/2009
CA	121201	1/2009
CA	127129	1/2009
CA	127130	1/2009
CA	127131	1/2009
CA	127521	1/2009
CA	127538	1/2009

* cited by examiner

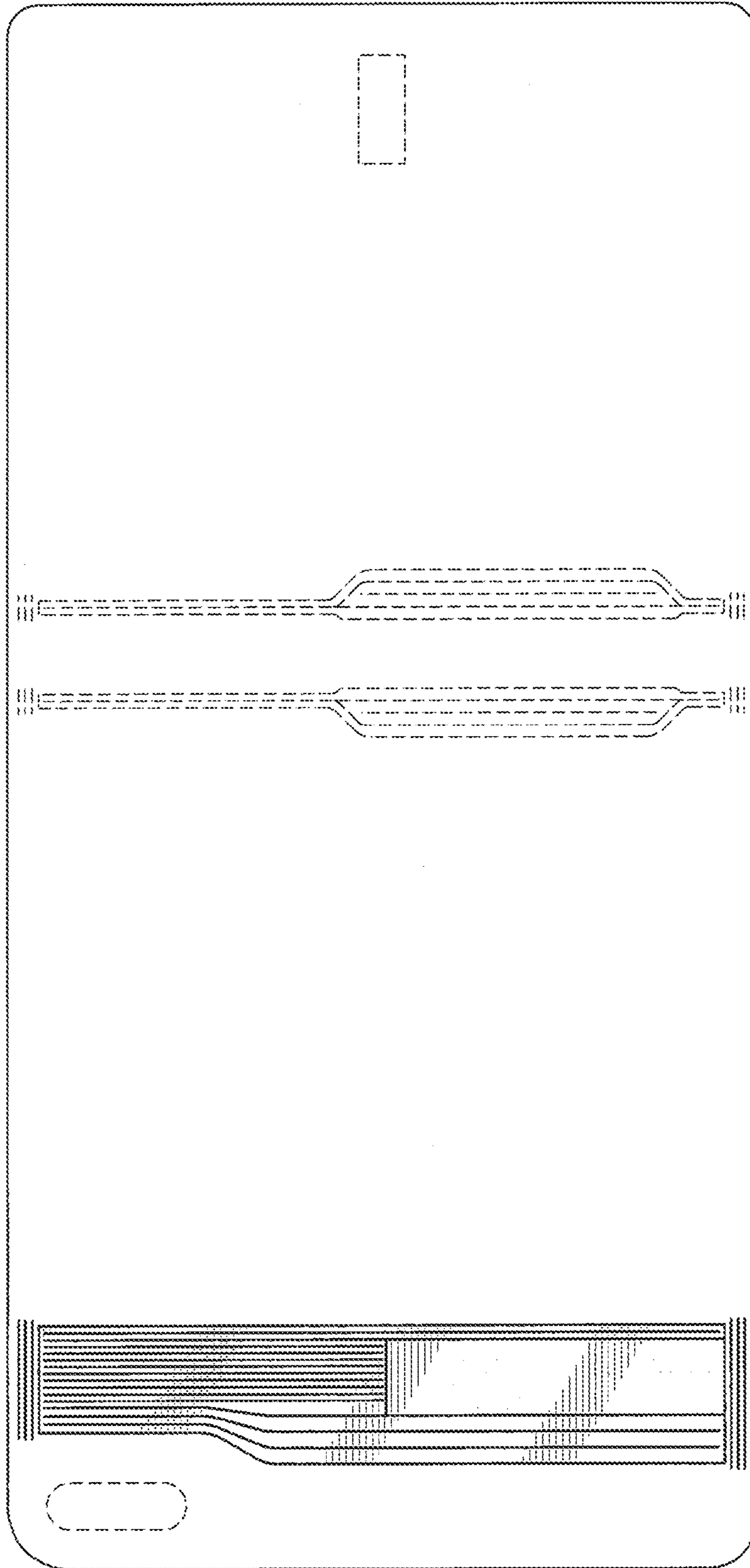


Fig. 1

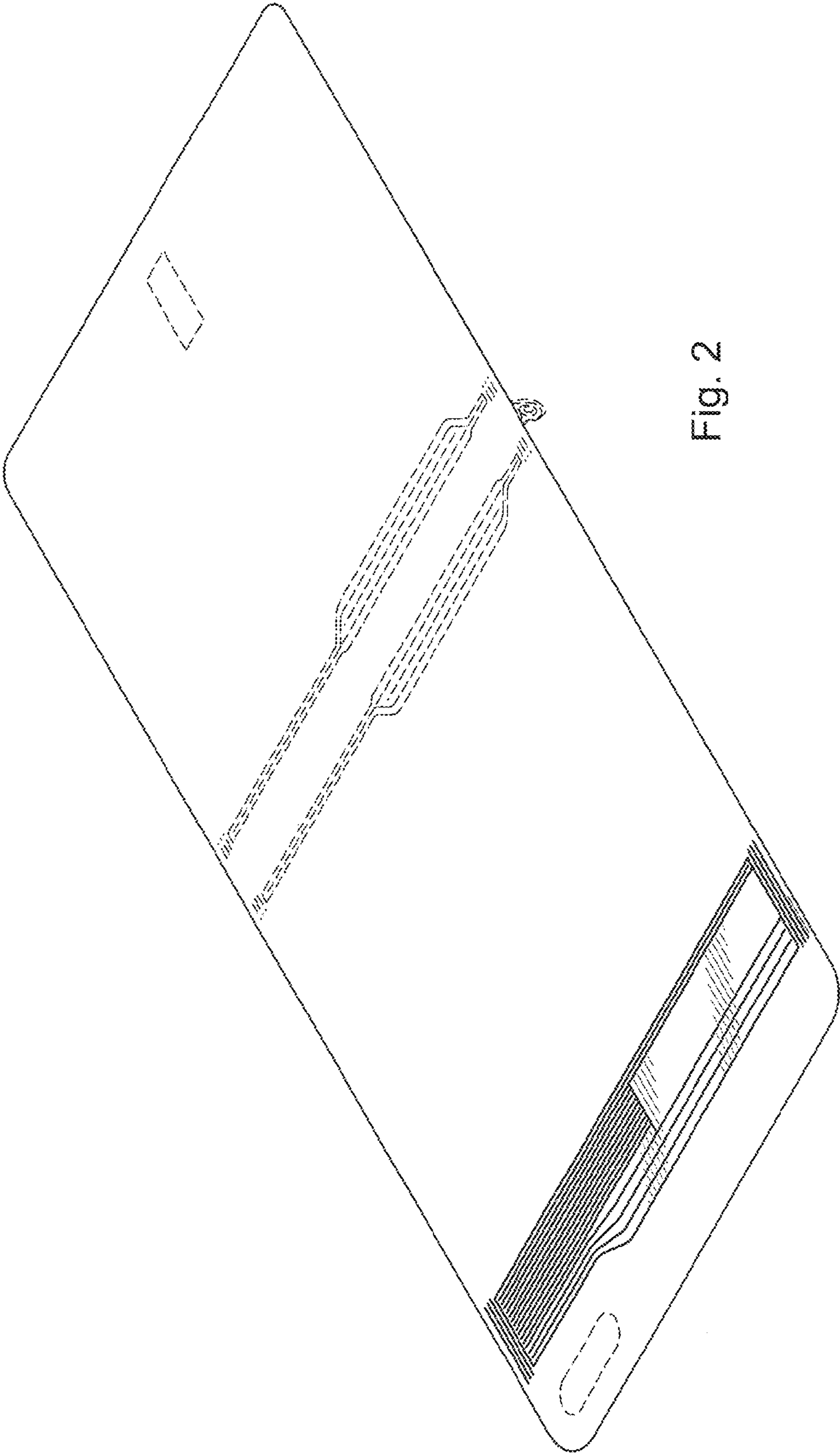


Fig. 2

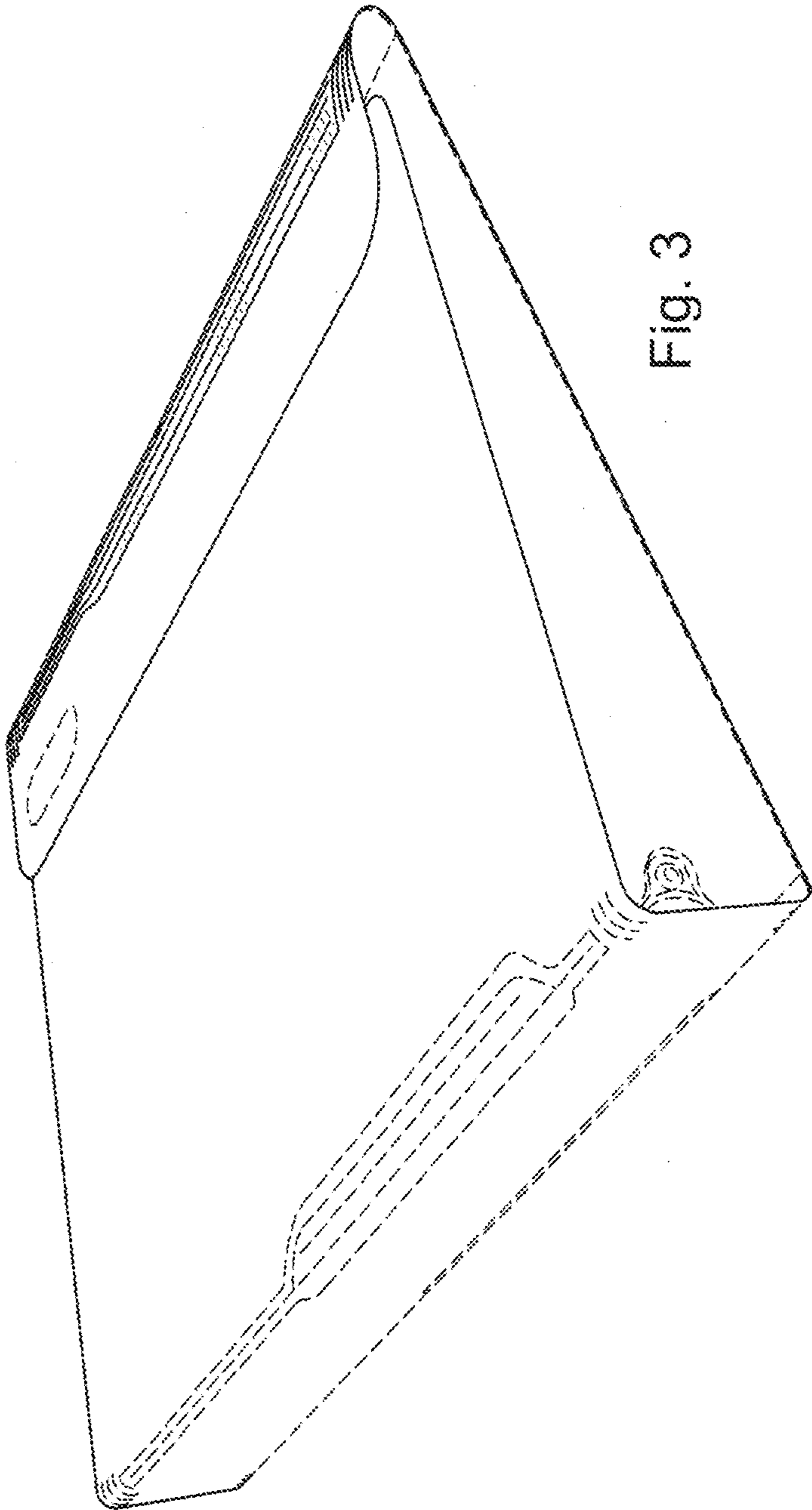


Fig. 3