



US00D752141S

(12) **United States Design Patent**  
**Lee et al.**

(10) **Patent No.:** **US D752,141 S**  
(45) **Date of Patent:** **\*\* Mar. 22, 2016**

(54) **PRINTER**

(71) Applicant: **Samsung Electronics Co., Ltd.**,  
Suwon-si (KR)  
(72) Inventors: **Sang-In Lee**, Seongnam-si (KR);  
**Noriyuki Fujimura**, Seoul (KR);  
**Seung-Wook Jeong**, Seoul (KR);  
**Keiichi Minamide**, Tokyo (JP); **Takeo**  
**Aoki**, Tokyo (JP); **Sayuri Suzuki**, Tokyo  
(JP); **Manabu Sasajima**, Tokyo (JP);  
**Won-Suk Chung**, Seoul (KR);  
**Eung-Yul Lee**, Seoul (KR)

(73) Assignee: **Samsung Electronics Co., Ltd.**,  
Suwon-si (KR)

(\*\*) Term: **14 Years**

(21) Appl. No.: **29/511,350**

(22) Filed: **Dec. 10, 2014**

(30) **Foreign Application Priority Data**

Jun. 13, 2014 (KR) ..... 30-2014-0029017

(51) **LOC (10) Cl.** ..... **18-02**

(52) **U.S. Cl.**  
USPC ..... **D18/53**

(58) **Field of Classification Search**  
USPC ..... D18/50, 54, 53, 56, 59, 36, 38, 39, 40,  
D18/41, 45, 34.4, 34.5, 34.6; D14/301, 307,  
D14/129, 130; 399/16, 75, 81, 131, 151,  
399/361, 365, 367, 381-385, 388; D99/28;  
D20/1, 10; D34/5-9  
CPC ... G06K 15/12; G06K 15/14; H04N 1/00204;  
H04N 1/00249; H04N 1/00278; B41J 3/00;  
B41J 3/28; B41J 3/445; B41J 3/46  
See application file for complete search history.

(56) **References Cited**

U.S. PATENT DOCUMENTS

D174,904 S \* 6/1955 Haseloff ..... D18/53  
D179,434 S \* 12/1956 Wycoski ..... D6/661.2

(Continued)

FOREIGN PATENT DOCUMENTS

CN 3334255 \* 11/2003  
CN 3480788 \* 10/2005

(Continued)

OTHER PUBLICATIONS

Yanko Design. <URL:http://www.yankodesign.com/2010/11/15/  
bus-station-navigation-system/>. Nov. 15, 2010. Kiosk with upper  
screen and curved transition.\*

(Continued)

*Primary Examiner* — Bridget L Eland  
*Assistant Examiner* — Lauren McVey  
(74) *Attorney, Agent, or Firm* — NSIP Law

(57) **CLAIM**

We claim the ornamental design for a printer, as shown and  
described.

**DESCRIPTION**

FIG. 1 is a front perspective view of a printer showing our new  
design;

FIG. 2 is a front view thereof;

FIG. 3 is a rear view thereof;

FIG. 4 is a left-side view thereof;

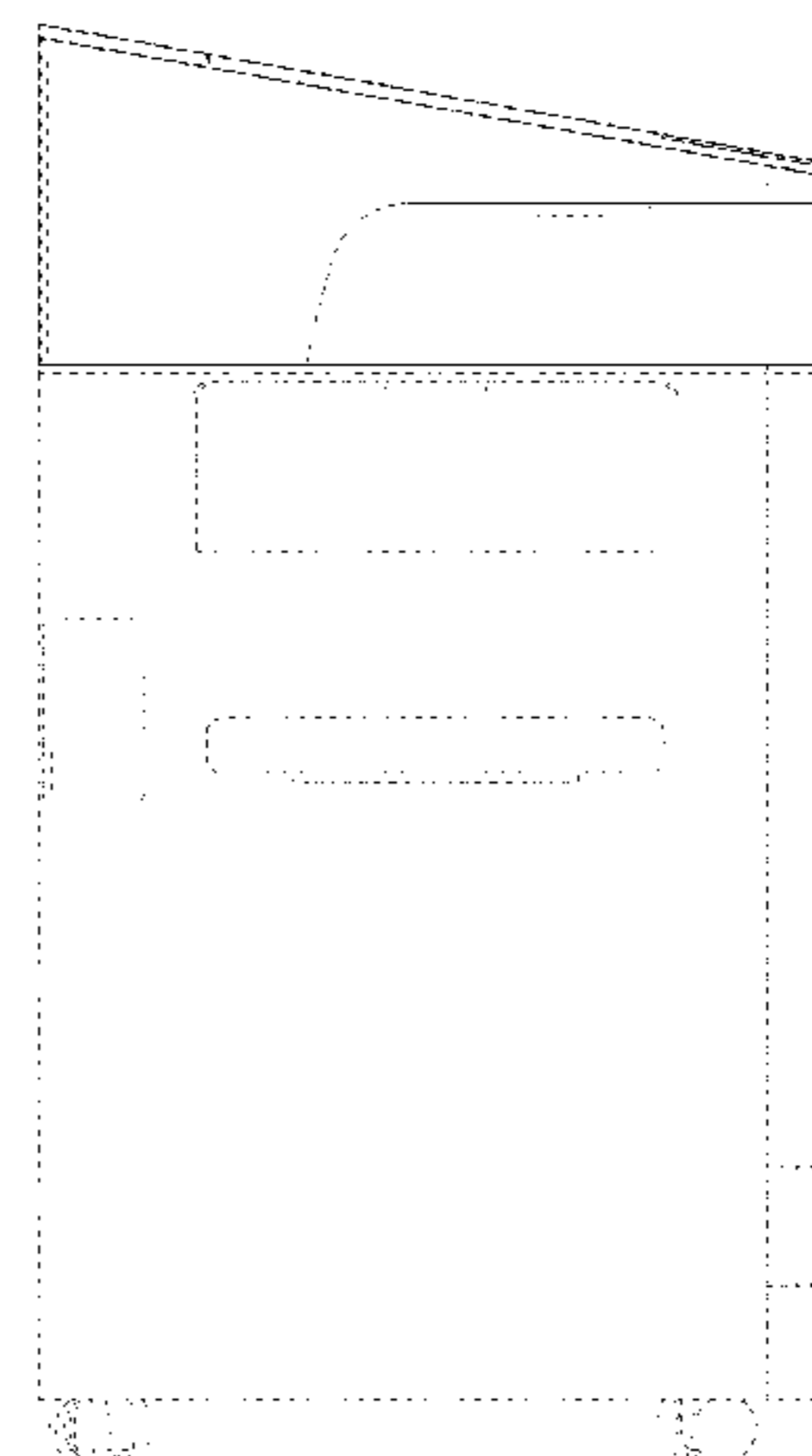
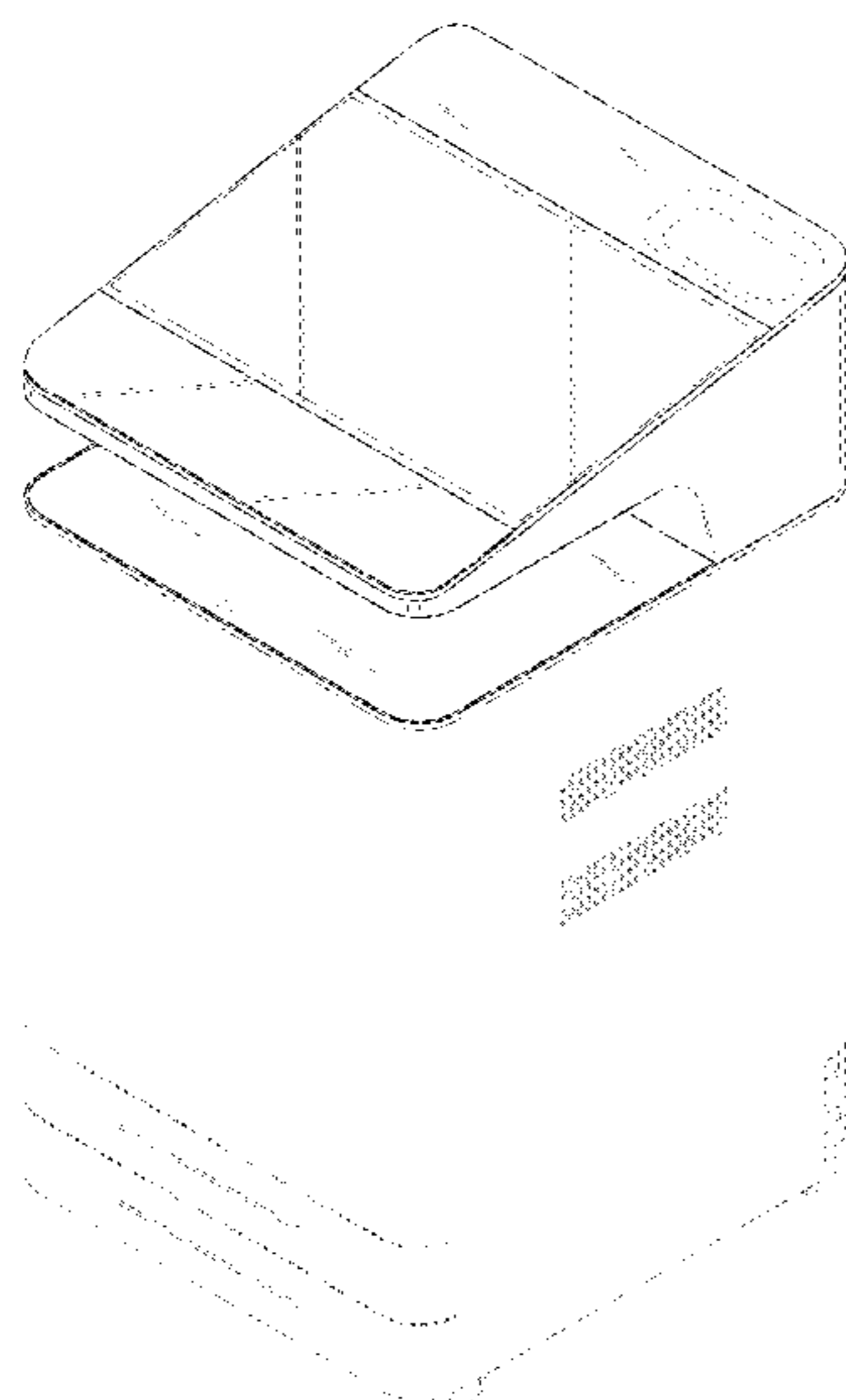
FIG. 5 is a right-side view thereof;

FIG. 6 is a top view thereof; and,

FIG. 7 is a bottom view thereof.

The dot-dash and evenly spaced broken lines immediately  
adjacent to the shaded areas represent unclaimed boundaries  
of the claimed design while all other broken lines are directed  
to environment and are for illustrative purposes only; the  
broken lines form no part of the claimed design.

**1 Claim, 7 Drawing Sheets**



(56)

References Cited

U.S. PATENT DOCUMENTS

D201,361 S \* 6/1965 Wiener ..... D14/303  
 D232,866 S \* 9/1974 Mann ..... D18/53  
 D283,323 S \* 4/1986 Cervero ..... D14/451  
 D286,051 S \* 10/1986 Nakano ..... D18/53  
 4,752,803 A \* 6/1988 Sakurai ..... G03G 15/221  
 399/1  
 D304,207 S \* 10/1989 Wistrand ..... D20/2  
 D313,051 S \* 12/1990 Haker ..... D14/302  
 D377,170 S \* 1/1997 Wilson ..... D14/130  
 6,163,668 A \* 12/2000 Takahashi ..... G03G 15/221  
 345/156  
 D447,768 S \* 9/2001 Shiozaki ..... D18/53  
 D478,117 S \* 8/2003 Funato ..... D18/39  
 D578,154 S \* 10/2008 Isogai ..... D18/40  
 D605,221 S \* 12/2009 Stenzel ..... D18/53  
 D639,800 S \* 6/2011 Magruder ..... D14/307  
 D646,269 S \* 10/2011 Crick, Jr. .... D14/307  
 D684,793 S \* 6/2013 Kikkert ..... D6/674  
 D693,407 S \* 11/2013 d'Amore ..... D20/8  
 D702,237 S \* 4/2014 Oberpriller ..... D14/420

D707,674 S \* 6/2014 Daniel ..... D14/307  
 D724,658 S \* 3/2015 Sakai ..... D18/53  
 D732,109 S \* 6/2015 Chung ..... D18/50  
 D732,521 S \* 6/2015 Chadbourne ..... D14/307  
 D732,606 S \* 6/2015 Chung ..... D18/50  
 2008/0003010 A1 \* 1/2008 Isogai ..... H04N 1/00477  
 399/81

FOREIGN PATENT DOCUMENTS

CN 300908818 \* 4/2009  
 CN 301199983 \* 5/2010  
 CN 302010956 \* 7/2012  
 EM 000329982-0012 \* 6/2005  
 EM 001378517-0001 \* 8/2013

OTHER PUBLICATIONS

Coroflot of Stanislav Tsybulsky. <URL: <http://www.coroflot.com/stanislavtsybulsky/POSM-Sketches>>. Oct. 3, 2012. Interactive Display CAD.\*

\* cited by examiner

FIG. 1

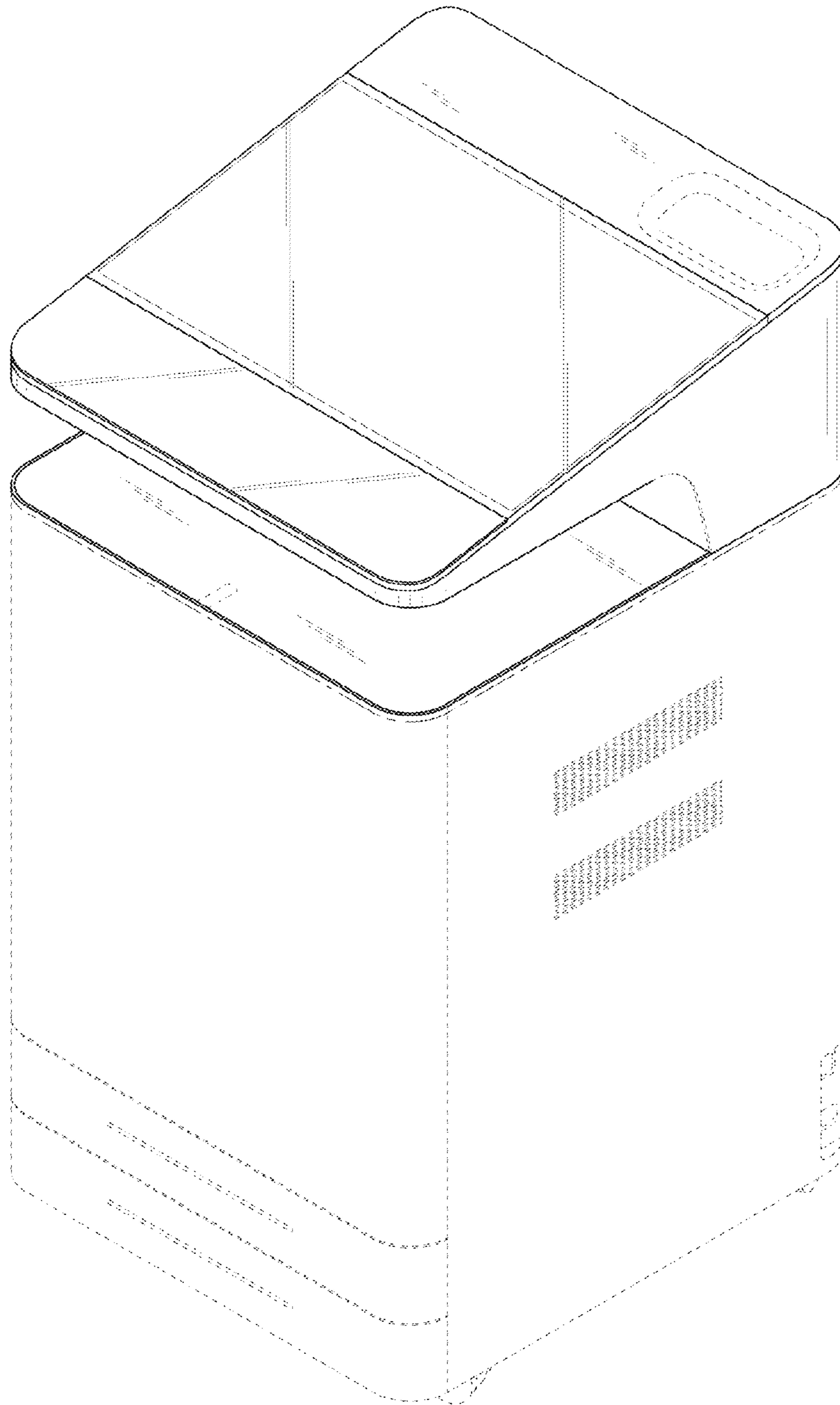


FIG.2



FIG.3



FIG.4

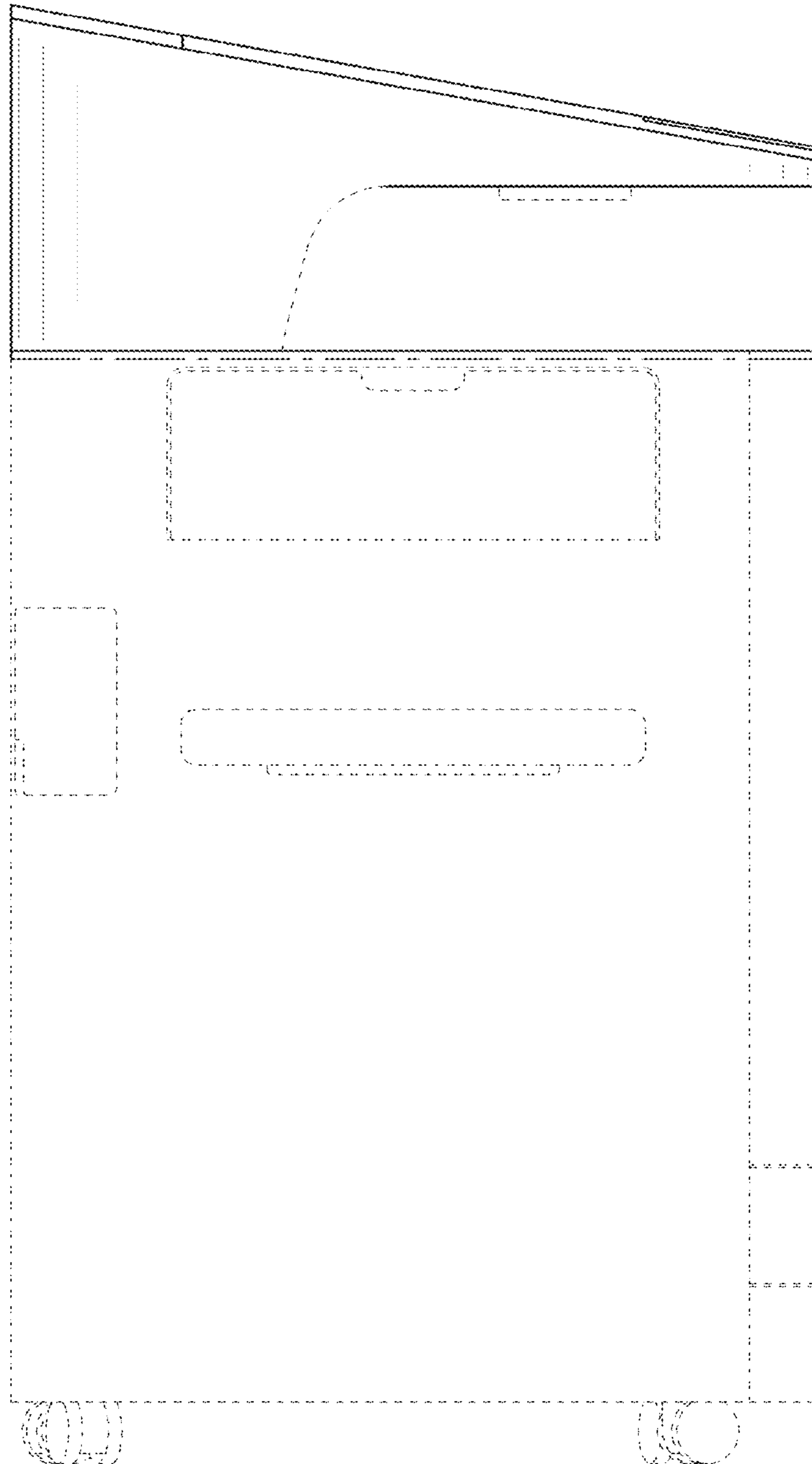




FIG.5

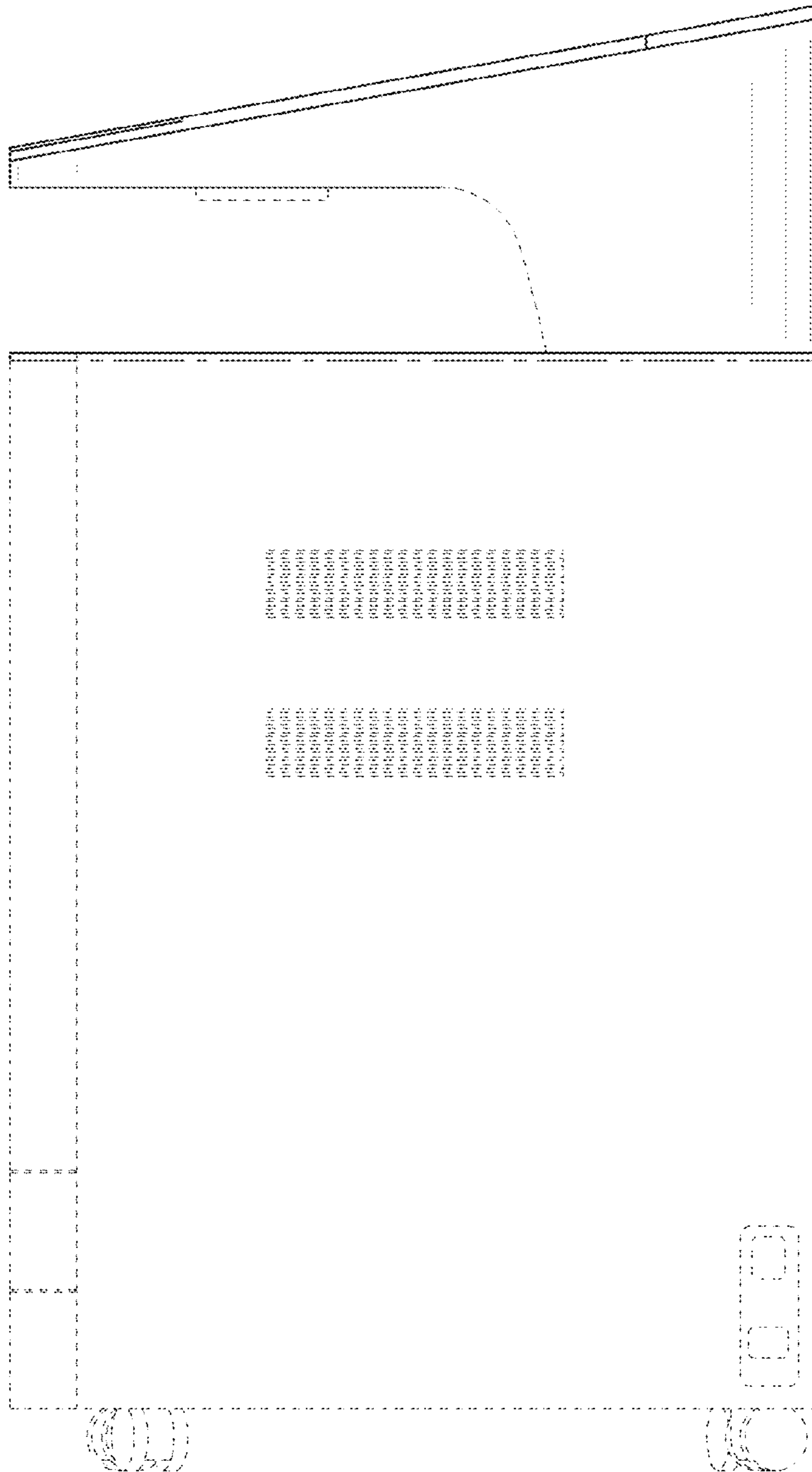


FIG.6

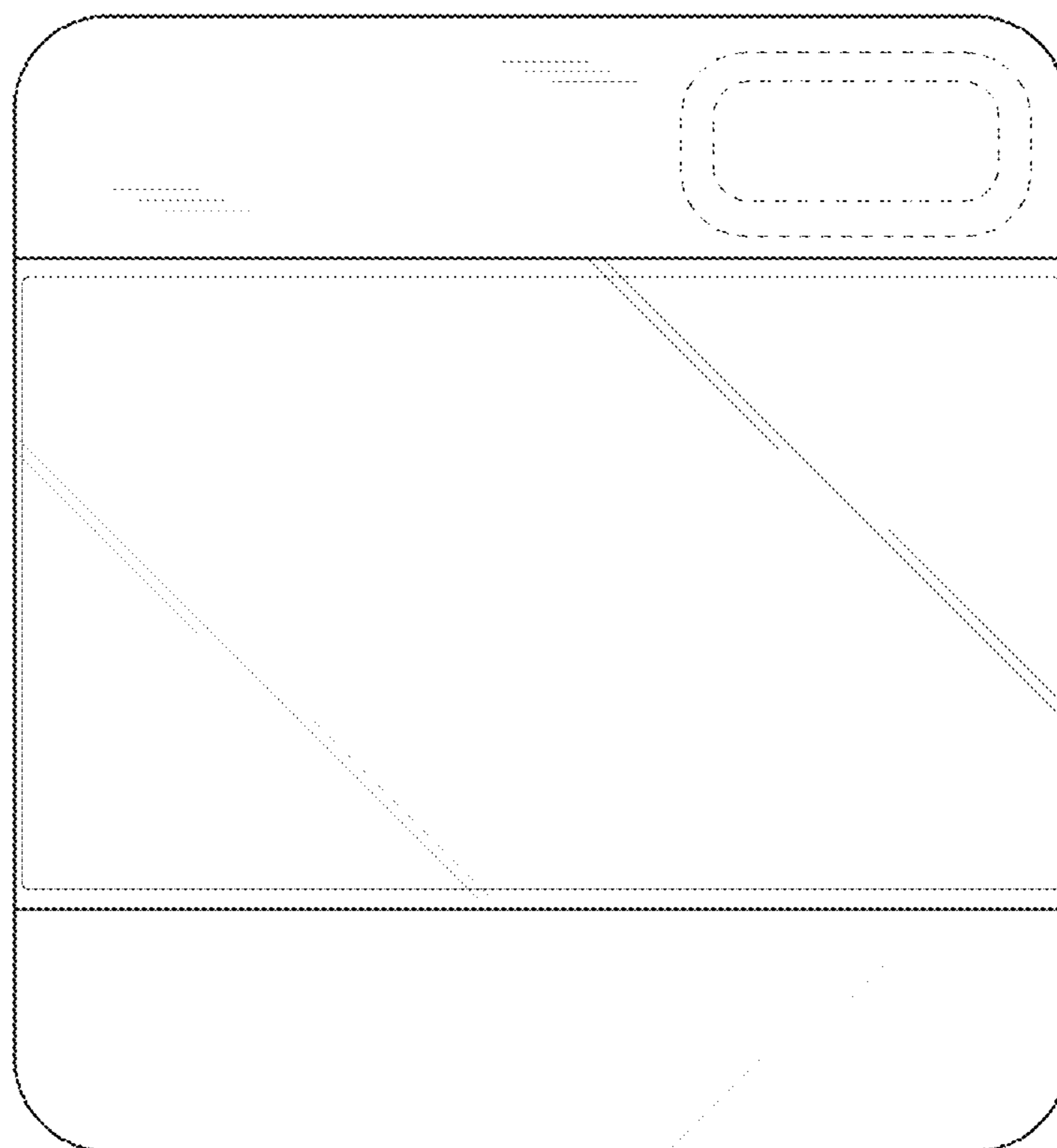




FIG. 7

