



US00D752139S

(12) **United States Design Patent**
Seki et al.

(10) **Patent No.:** **US D752,139 S**
(45) **Date of Patent:** **** Mar. 22, 2016**

- (54) **PRINTER**
- (71) Applicants: **Yusaku Seki**, Nagoya (JP); **Yukihiko Sato**, Nagoya (JP)
- (72) Inventors: **Yusaku Seki**, Nagoya (JP); **Yukihiko Sato**, Nagoya (JP)
- (73) Assignee: **BROTHER INDUSTRIES, LTD.**, Nagoya (JP)

D648,377 S	11/2011	Miyauchi et al.	
D648,379 S	11/2011	Ishikawa et al.	
D667,050 S	9/2012	Takeuchi	
D667,051 S	9/2012	Sato	
D669,082 S	10/2012	Sato	
D675,673 S	2/2013	Sato	
D675,674 S	2/2013	Sato	
D675,675 S *	2/2013	Sato et al.	D18/50
D678,402 S	3/2013	Sato	
D681,720 S	5/2013	Inada	
D722,109 S *	2/2015	Nanno et al.	D18/50
2014/0139986 A1 *	5/2014	Osakabe et al.	361/679.01

- (**) Term: **14 Years**
- (21) Appl. No.: **29/484,028**
- (22) Filed: **Mar. 5, 2014**

- (30) **Foreign Application Priority Data**
- Sep. 5, 2013 (JP) 2013-020508
- (51) **LOC (10) Cl.** **14-02**
- (52) **U.S. Cl.**
- USPC **D18/50**
- (58) **Field of Classification Search**
- USPC D18/50, 54, 54.1, 55; D14/420-426, D14/462-470; 400/613, 613.1-613.4, 400/690.1-690.4, 691-694
- See application file for complete search history.

- (56) **References Cited**
- U.S. PATENT DOCUMENTS
- D558,823 S * 1/2008 Alfonso et al. D18/55
- D607,925 S 1/2010 Morrison et al.
- D613,791 S * 4/2010 Yoshioka et al. D18/55
- D614,234 S 4/2010 Ishikawa et al.
- D643,462 S 8/2011 Yamashita et al.
- D645,896 S 9/2011 Iwai et al.

OTHER PUBLICATIONS

Oct. 14, 2014 Office Action issued in Design U.S. Appl. No. 29/467,373.
Design U.S. Appl. No. 29/467,373, filed Sep. 18, 2013 in the name of Seki et al.

* cited by examiner

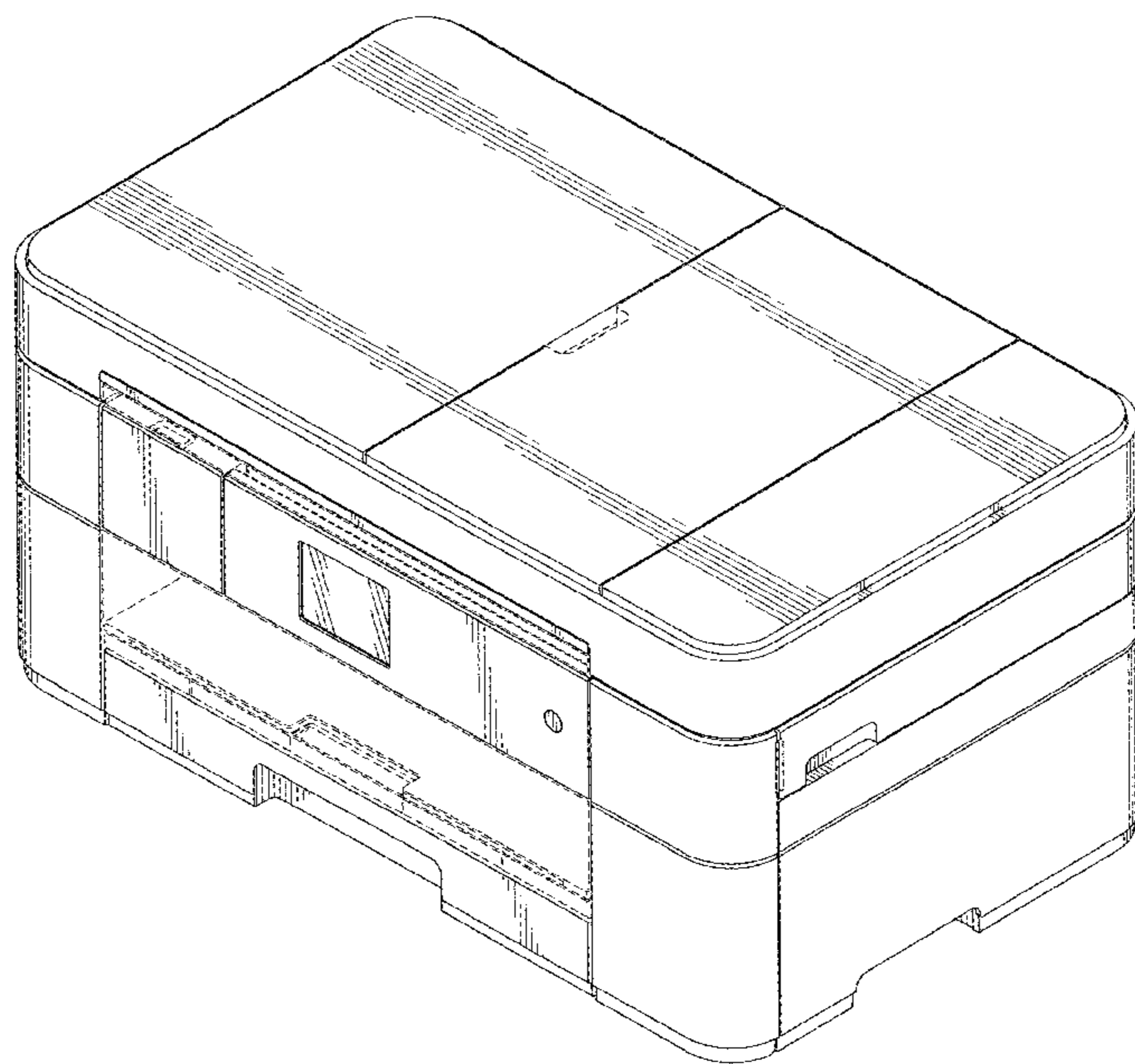
Primary Examiner — Cathy Anne MacCormac
(74) *Attorney, Agent, or Firm* — Oliff PLC

(57) **CLAIM**
The ornamental design for a printer, as shown and described.

DESCRIPTION

FIG. 1 is a perspective view of a printer;
FIG. 2 is a front view thereof;
FIG. 3 is a top view thereof;
FIG. 4 is a right-side view thereof;
FIG. 5 is a left-side view thereof;
FIG. 6 is a rear view thereof; and,
FIG. 7 is a bottom view thereof.
The broken lines depict environmental subject matter only and form no part of the claimed design.

1 Claim, 6 Drawing Sheets



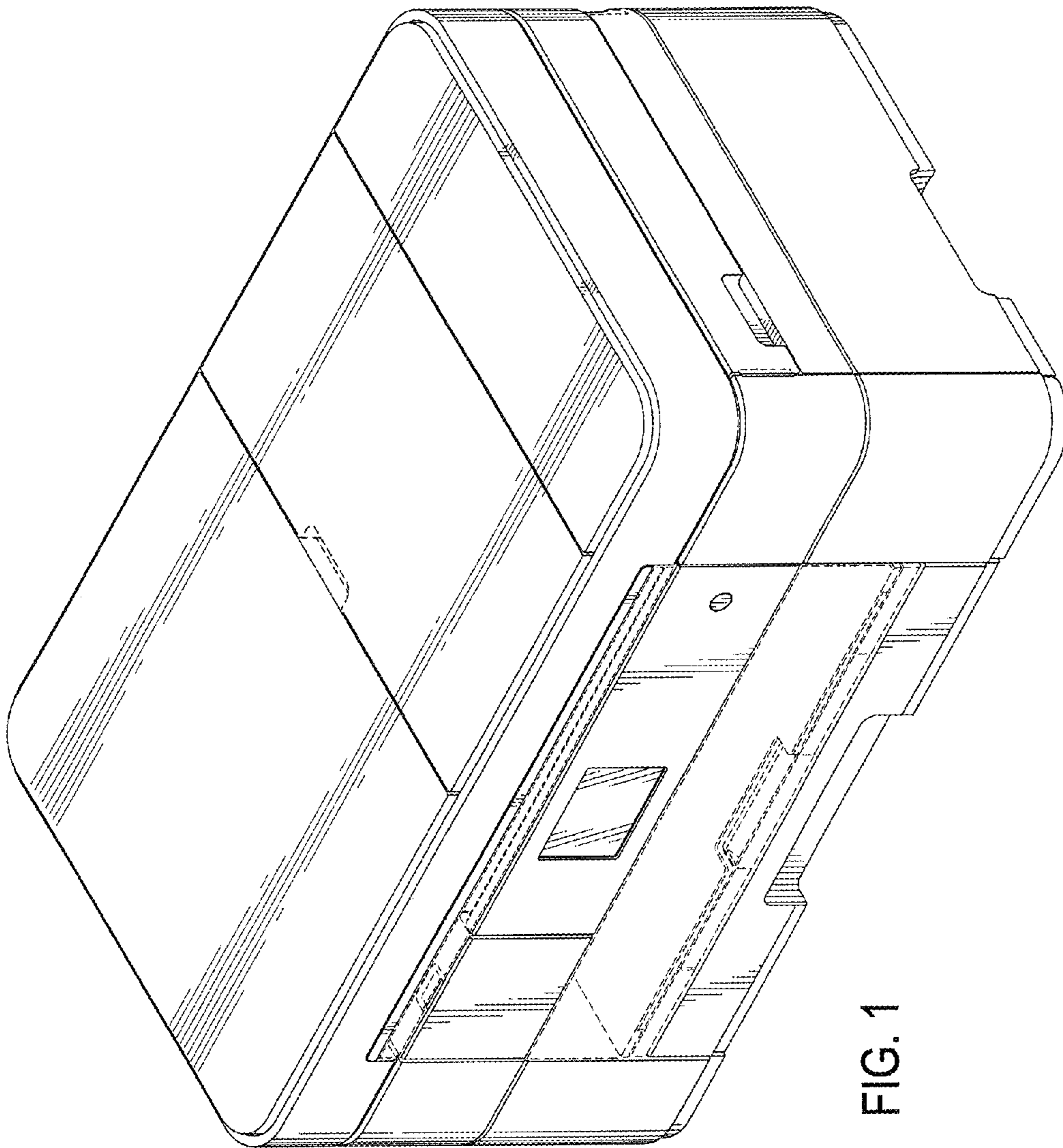


FIG. 1

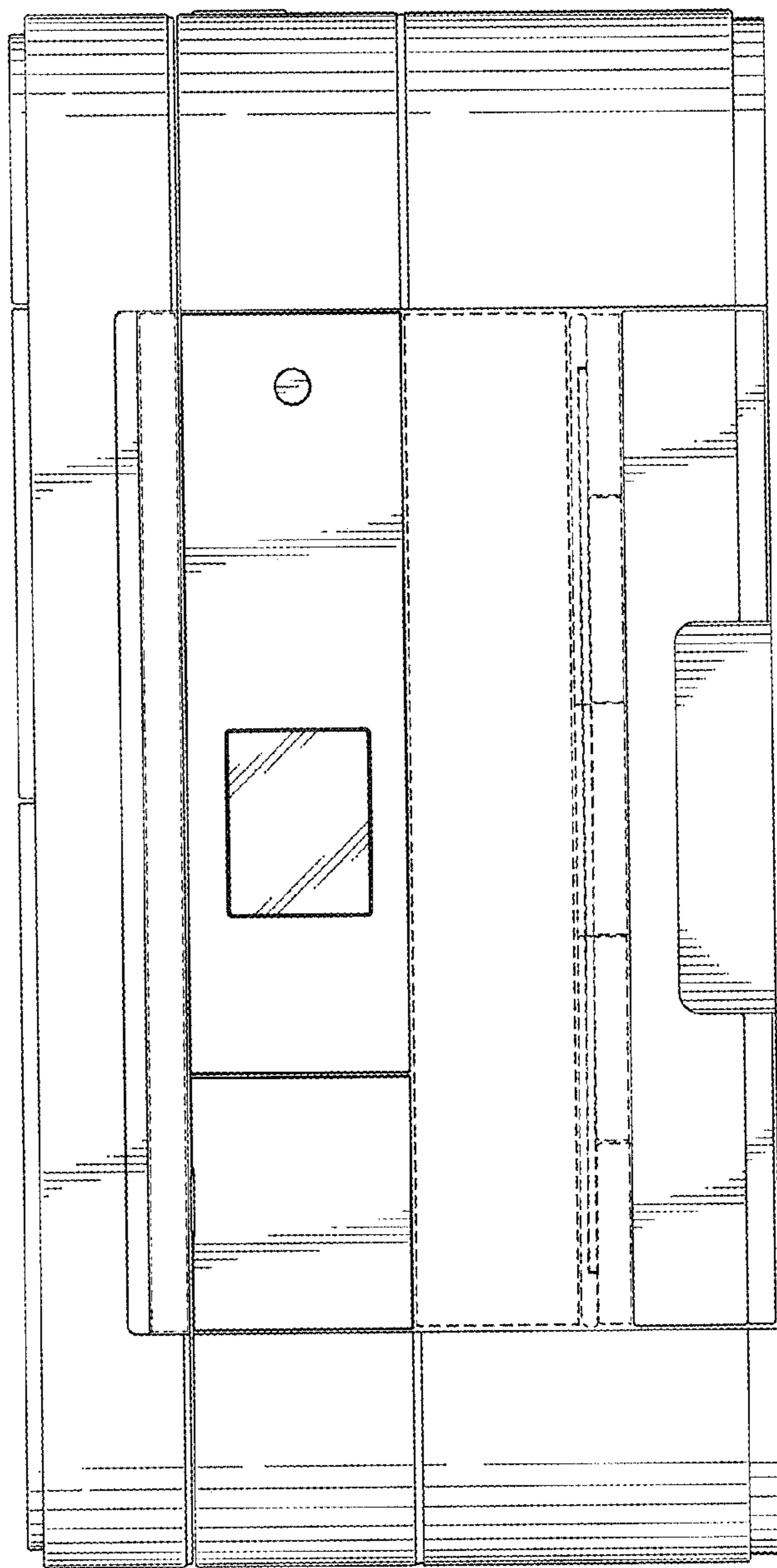


FIG. 2

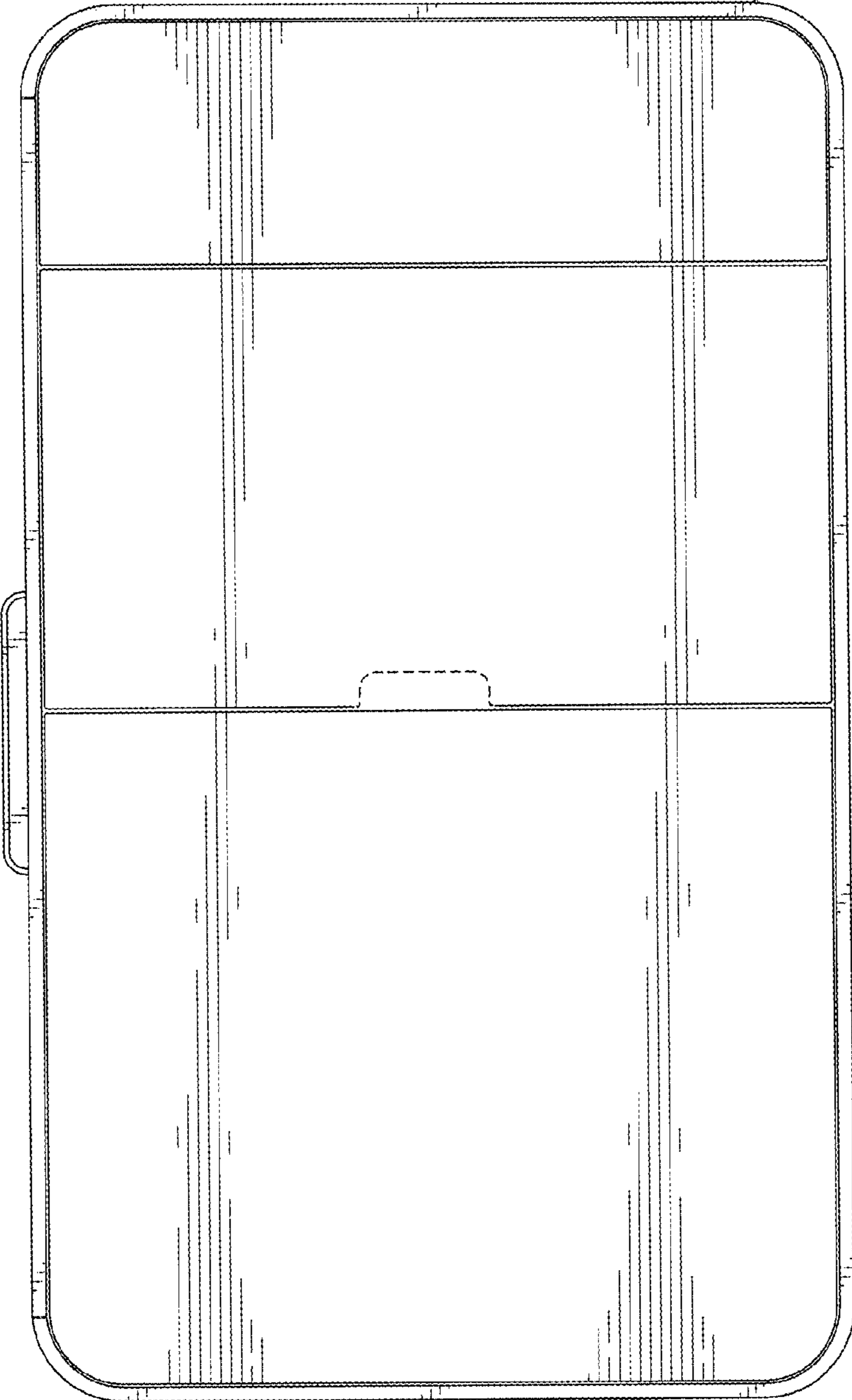


FIG. 3

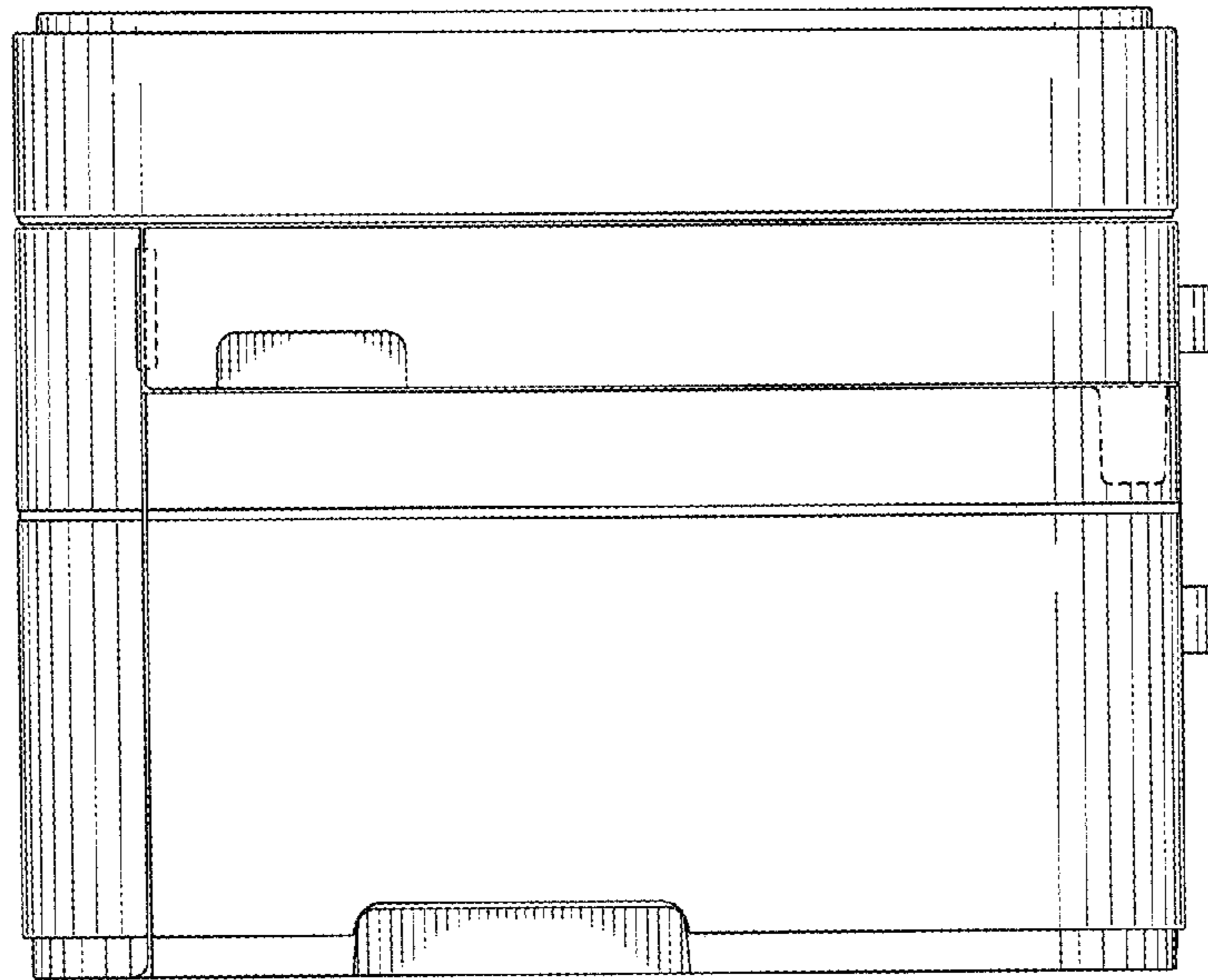


FIG. 4

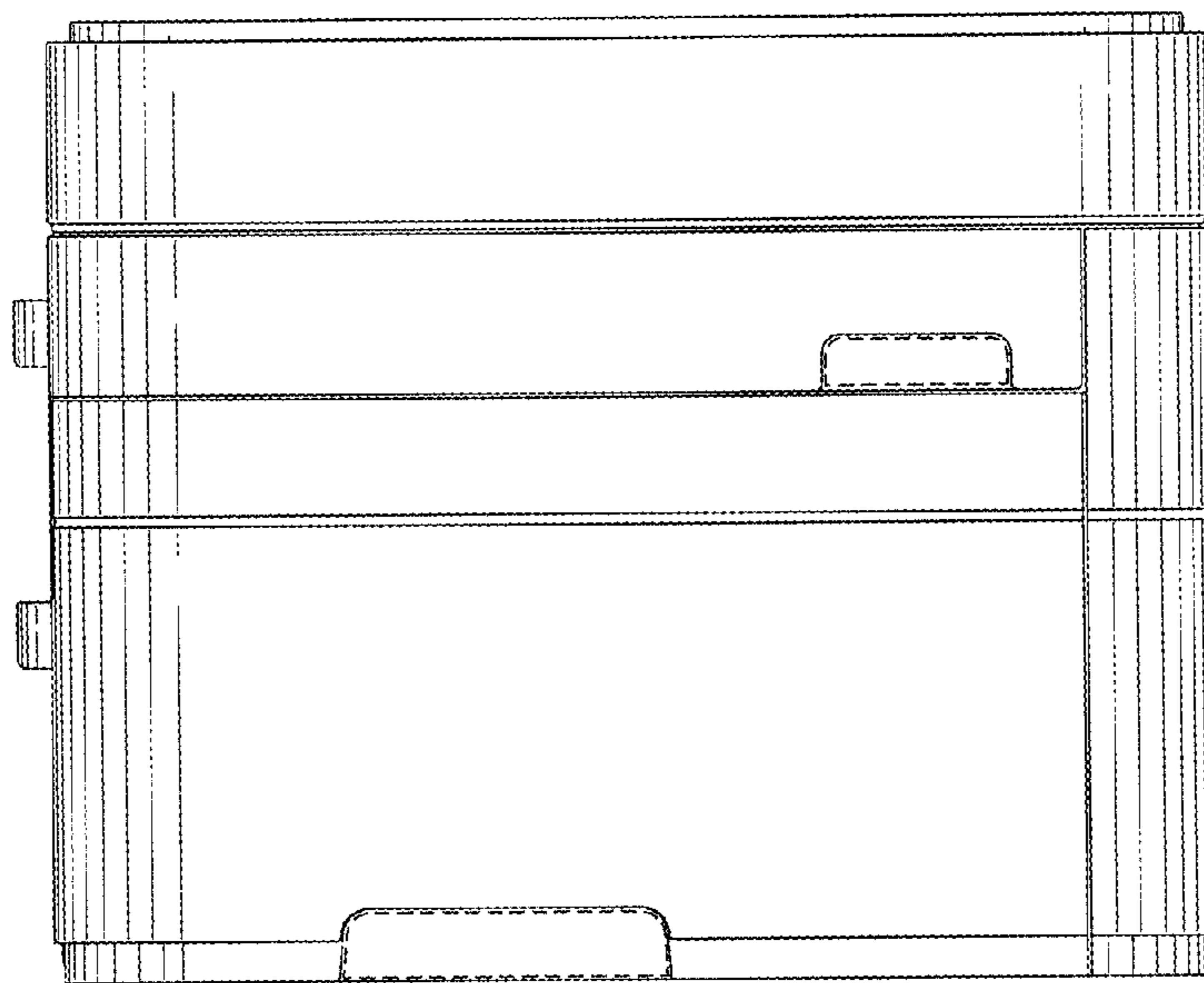


FIG. 5

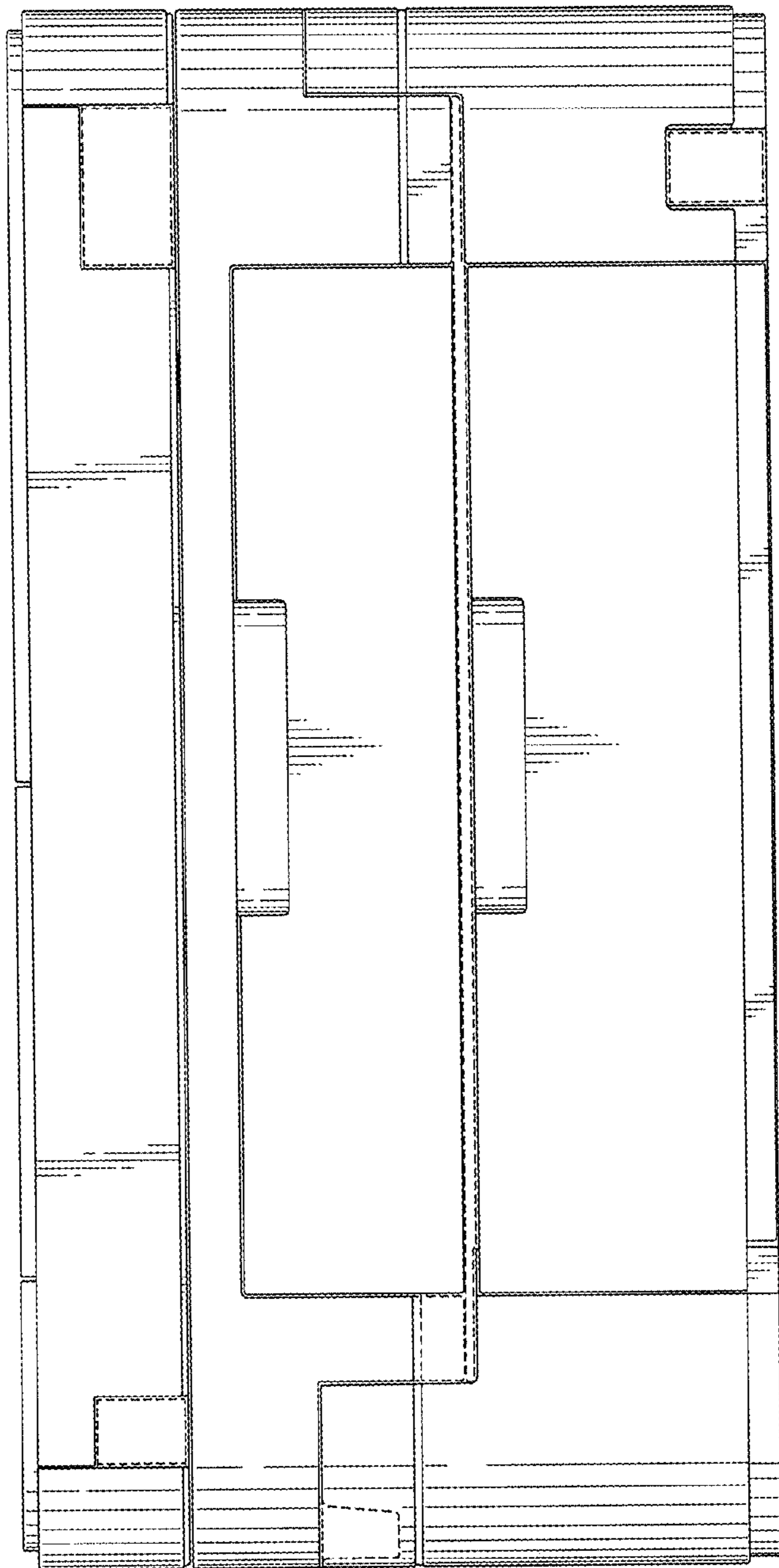


FIG. 6

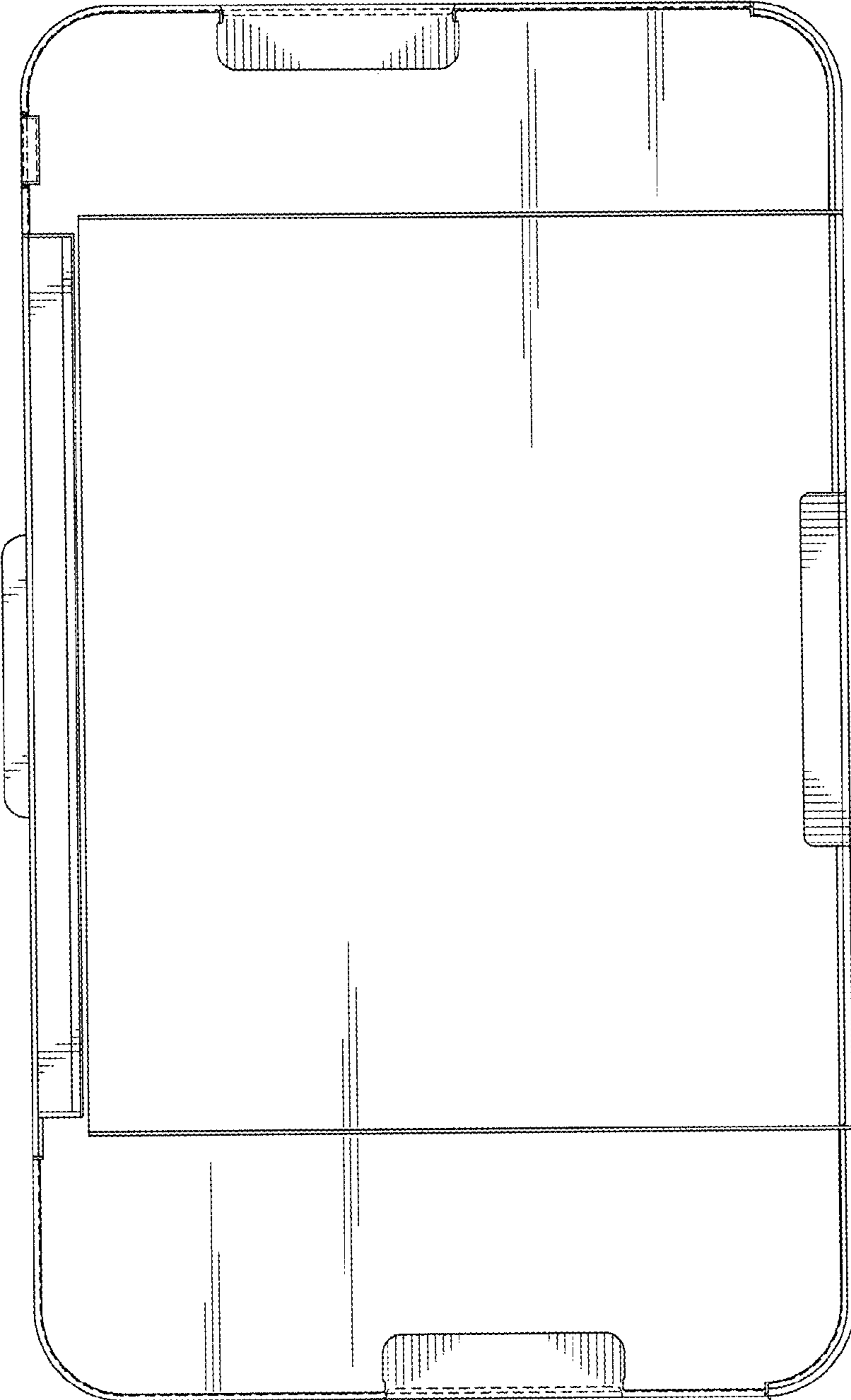


FIG. 7