



US00D752137S

(12) **United States Design Patent**
Mita

(10) **Patent No.:** **US D752,137 S**
(45) **Date of Patent:** **** Mar. 22, 2016**

- (54) **TAPE PRINTING MACHINE**
- (71) Applicant: **Masayoshi Mita**, Nagoya (JP)
- (72) Inventor: **Masayoshi Mita**, Nagoya (JP)
- (73) Assignee: **BROTHER INDUSTRIES, LTD.**,
Nagoya (JP)

D542,337	S	*	5/2007	Nakata	D18/19
D589,086	S	*	3/2009	Nakata	D18/19
D663,767	S	*	7/2012	Inada	D18/19
D694,319	S	*	11/2013	Nakagawa	D18/19
D694,817	S	*	12/2013	Adam	D18/19
D701,898	S	*	4/2014	Nakata	D18/19
D706,341	S	*	6/2014	Kano	D18/14
2014/0084103	A1	*	3/2014	Tanaka	B41J 15/044 242/538

- (**) Term: **14 Years**
- (21) Appl. No.: **29/483,887**
- (22) Filed: **Mar. 4, 2014**

FOREIGN PATENT DOCUMENTS

CN 302423960 * 5/2013

OTHER PUBLICATIONS

Grainger Industrial Supply. <URL: <http://www.grainger.com/product/K-SUN-Desktop-Label-Printer-41H556>>. Visited Oct. 5, 2015. K-SUN Desktop Label Printer.*

* cited by examiner

Primary Examiner — Bridget L Eland
Assistant Examiner — Lauren McVey
(74) *Attorney, Agent, or Firm* — Oliff PLC

- (30) **Foreign Application Priority Data**
- Sep. 3, 2013 (JP) 2013-20338
- (51) **LOC (10) CL.** **18-99**
- (52) **U.S. CL.**
- USPC **D18/50**; D18/19
- (58) **Field of Classification Search**
- USPC D18/14-21, 50, 56; D19/68, 69; 101/6,
101/7, 111, 290; 156/DIG. 48
- CPC B41J 3/4075; B65C 11/00; B65C 11/02;
B65C 11/0205; B65C 11/021; B65C 11/0215;
B65C 11/0221; B65C 11/0226; B65C
11/0231; B65C 11/0236; B65C 11/0242;
B65C 11/0252; B65C 11/0257; B65C
11/0268; B65C 11/0273; B65C 11/0284;
B65C 11/0289; B65C 11/0294; B65C 11/04;
B65C 11/046; B65C 11/06; B65C 11/062;
B65C 11/064; B65C 11/066; B65C 11/068
- See application file for complete search history.

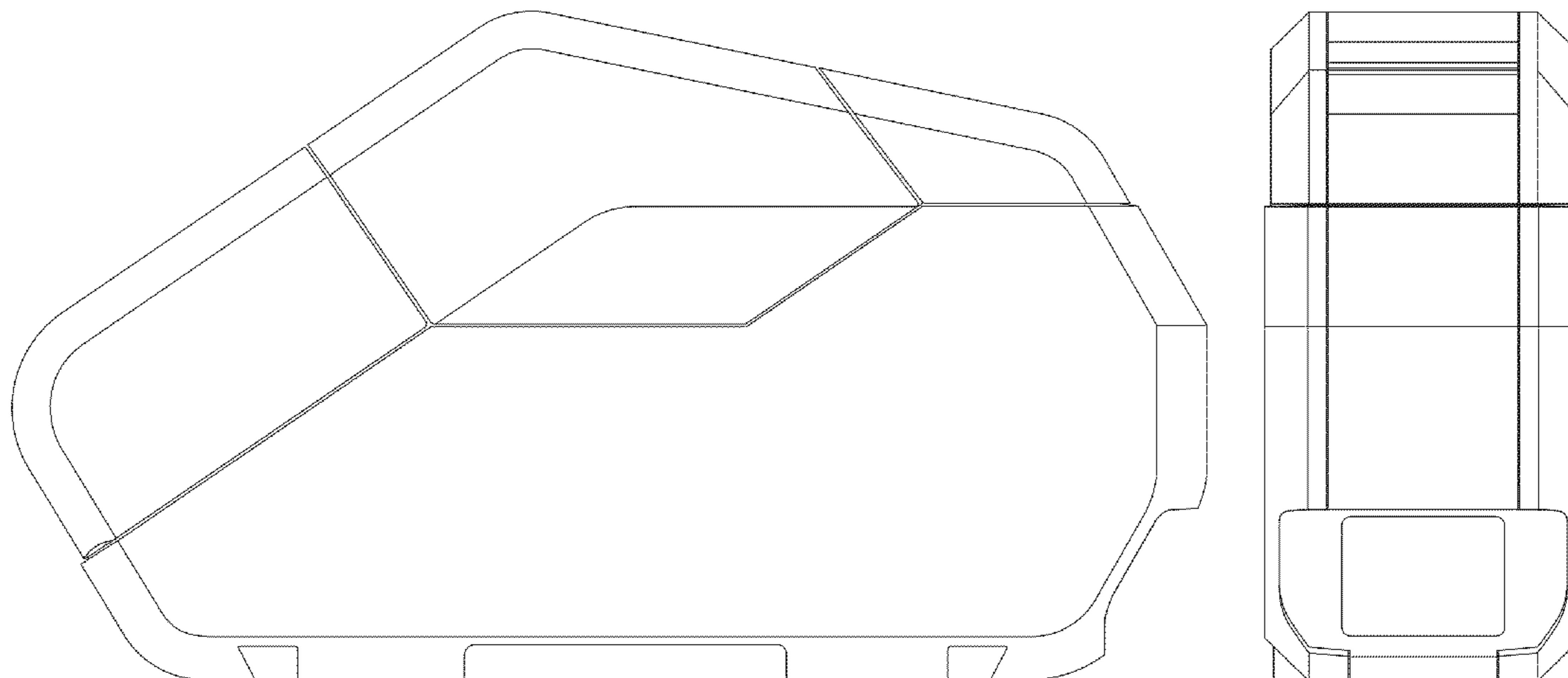
(57) **CLAIM**
The ornamental design for a tape printing machine, as shown and described.

DESCRIPTION

FIG. 1 is a front view of a tape printing machine;
FIG. 2 is a top view thereof;
FIG. 3 is right-side view thereof;
FIG. 4 is a left-side view thereof;
FIG. 5 is a rear view thereof;
FIG. 6 is a bottom view thereof;
FIG. 7 is a front, left-side perspective view thereof;
FIG. 8 is a front, right-side perspective view thereof; and,
FIG. 9 is a front view of the tape printing machine in an alternate configuration.
The broken lines depict environmental subject matter only and form no part of the claimed design.

- (56) **References Cited**
- U.S. PATENT DOCUMENTS**
- D235,221 S * 5/1975 Cormier D18/37
- D275,017 S * 8/1984 Sato D18/19
- D294,405 S * 2/1988 Man Yau D18/50
- D398,646 S * 9/1998 Geiger D18/19
- D527,043 S * 8/2006 Borne D18/19

1 Claim, 8 Drawing Sheets



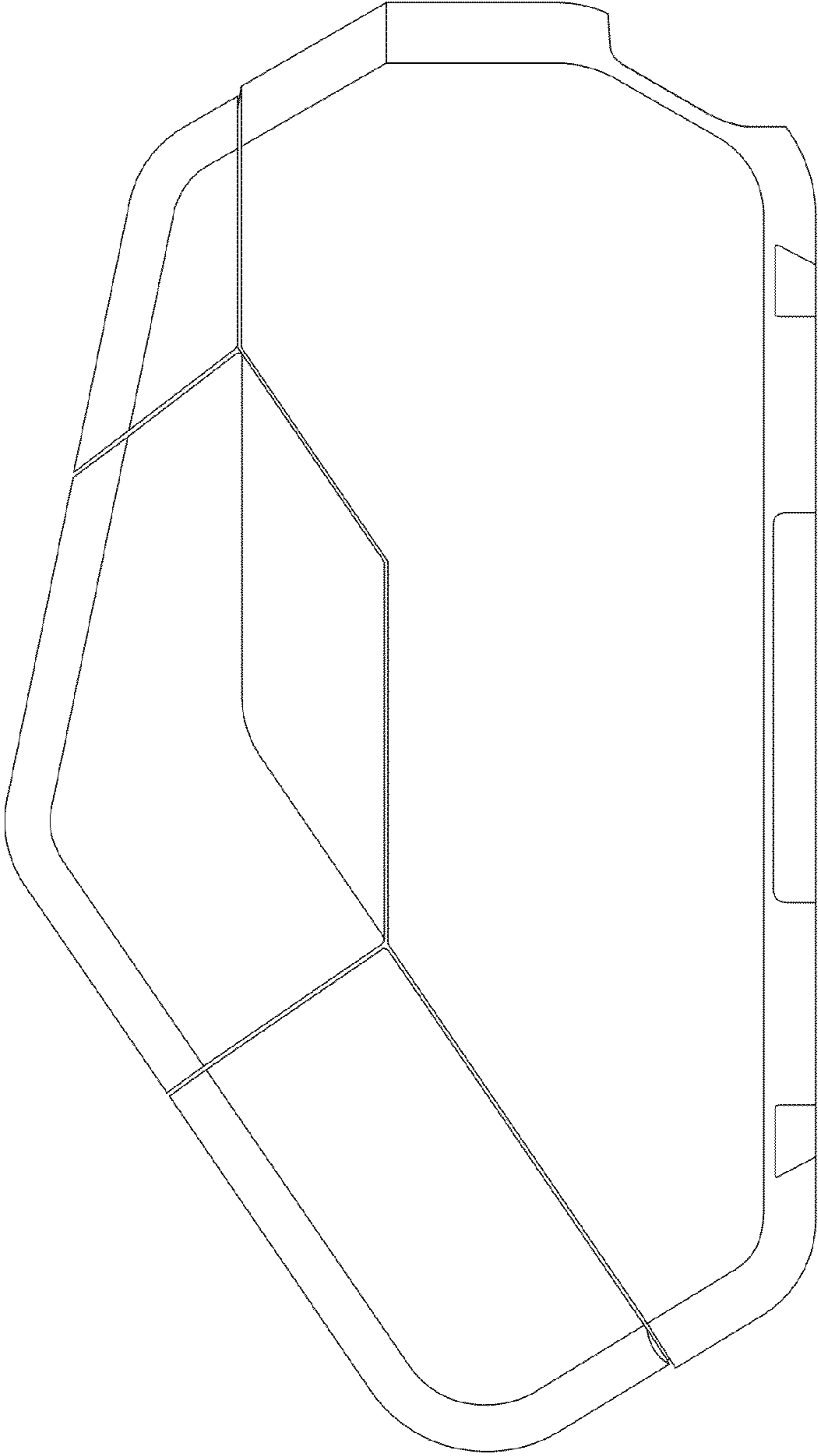


FIG. 1

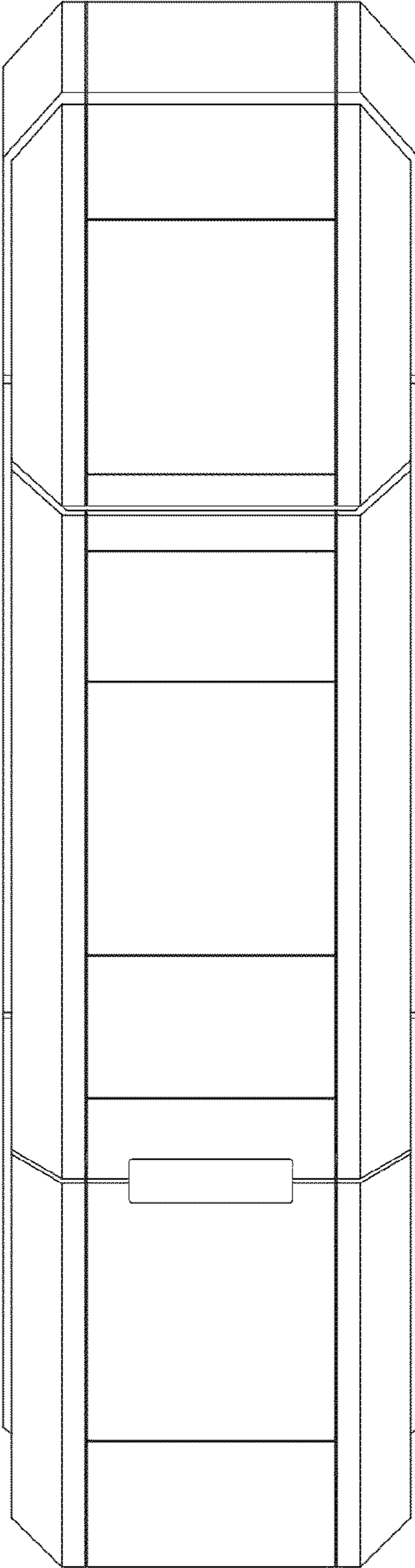


FIG. 2

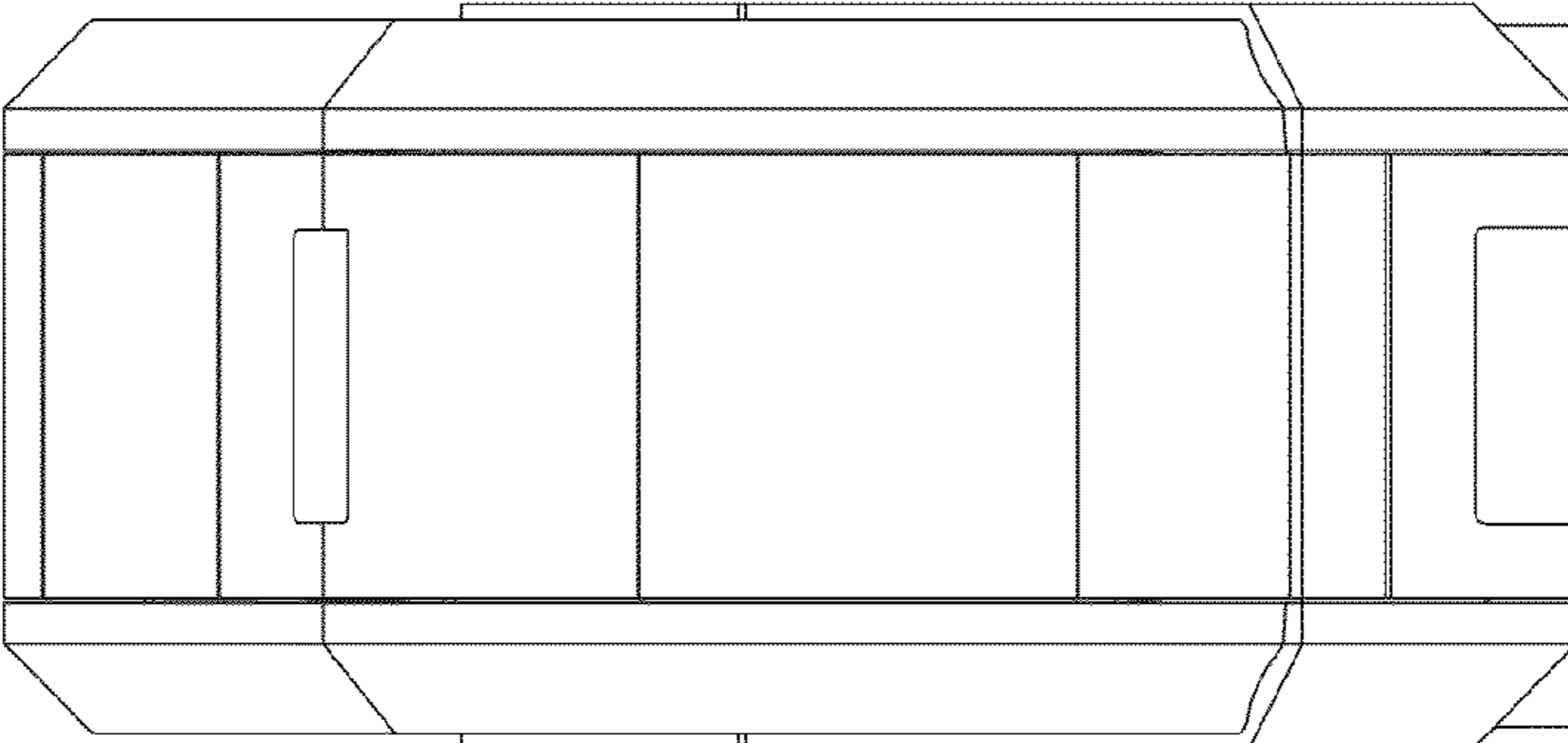


FIG. 4

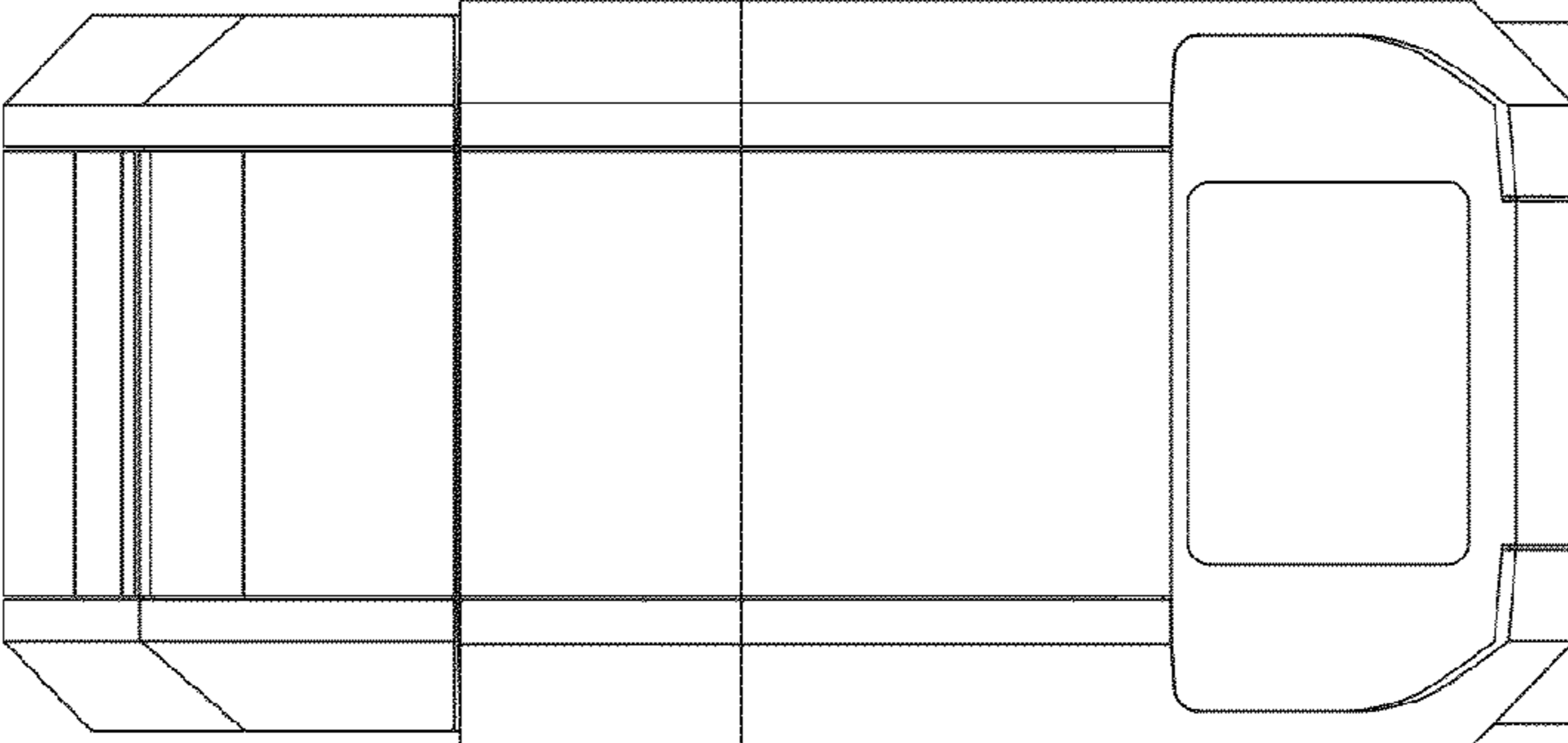


FIG. 3

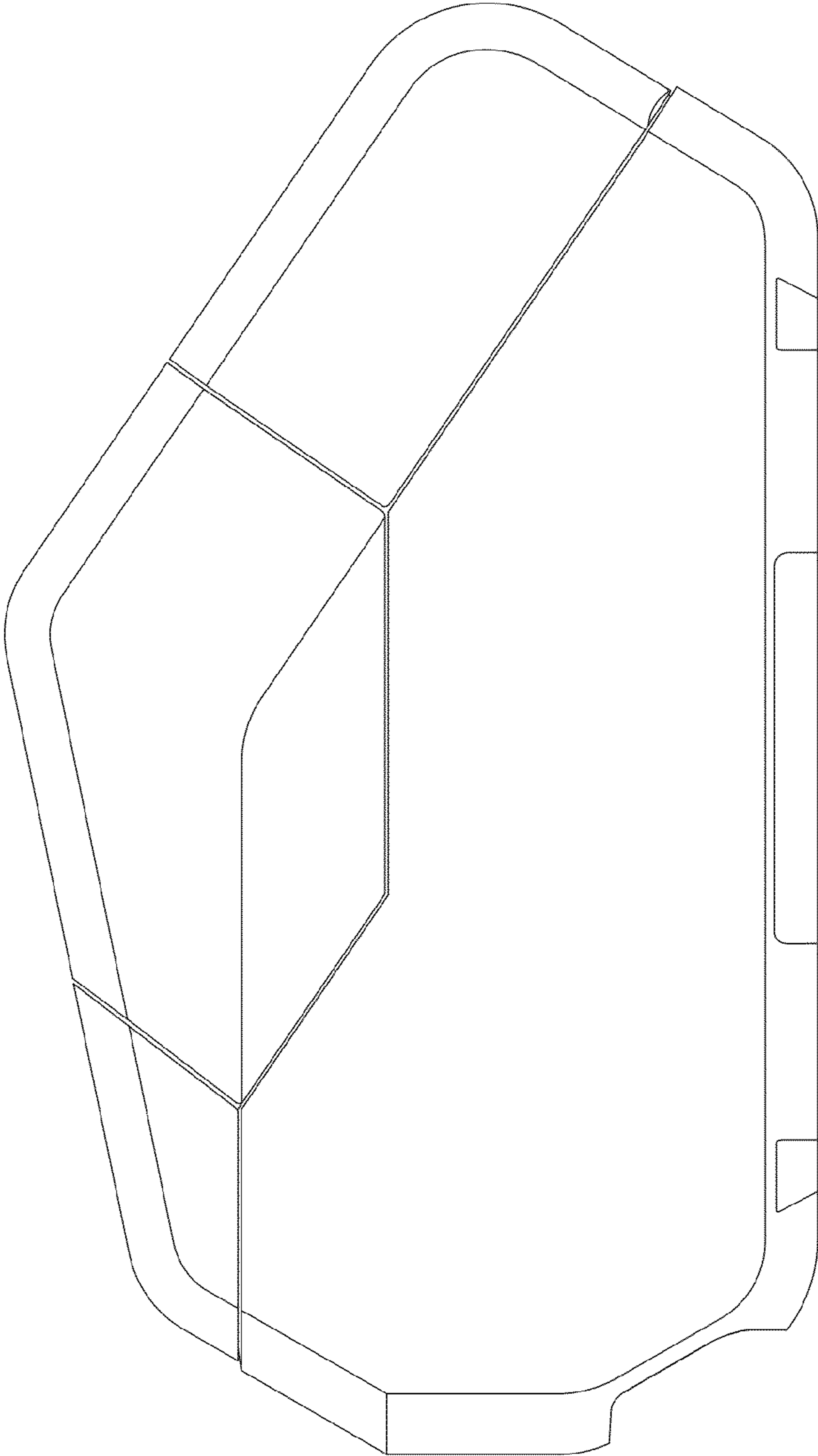


FIG. 5

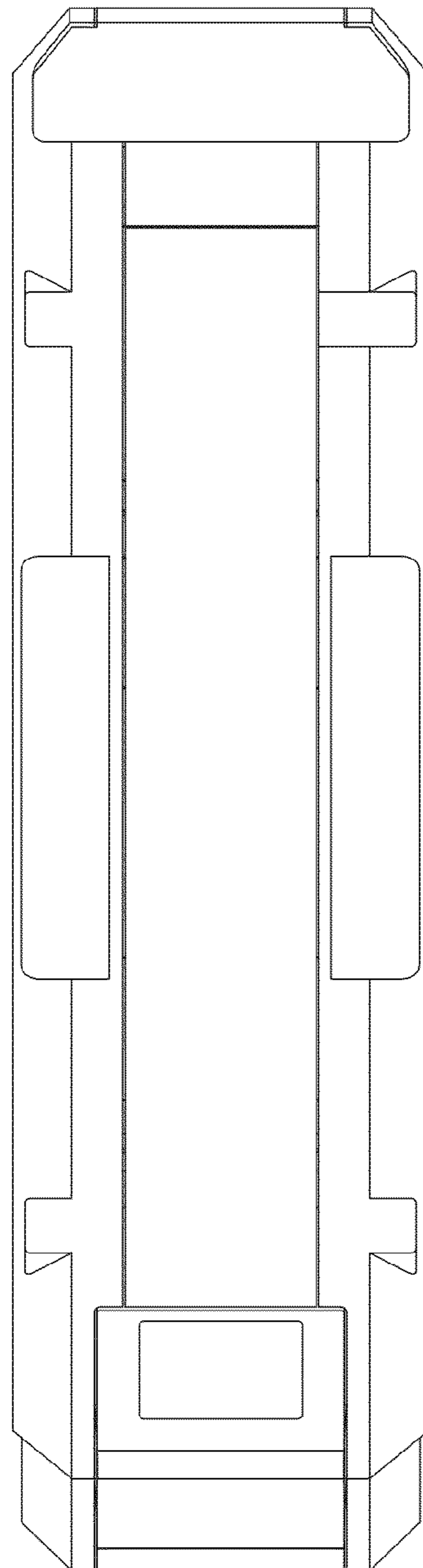


FIG. 6

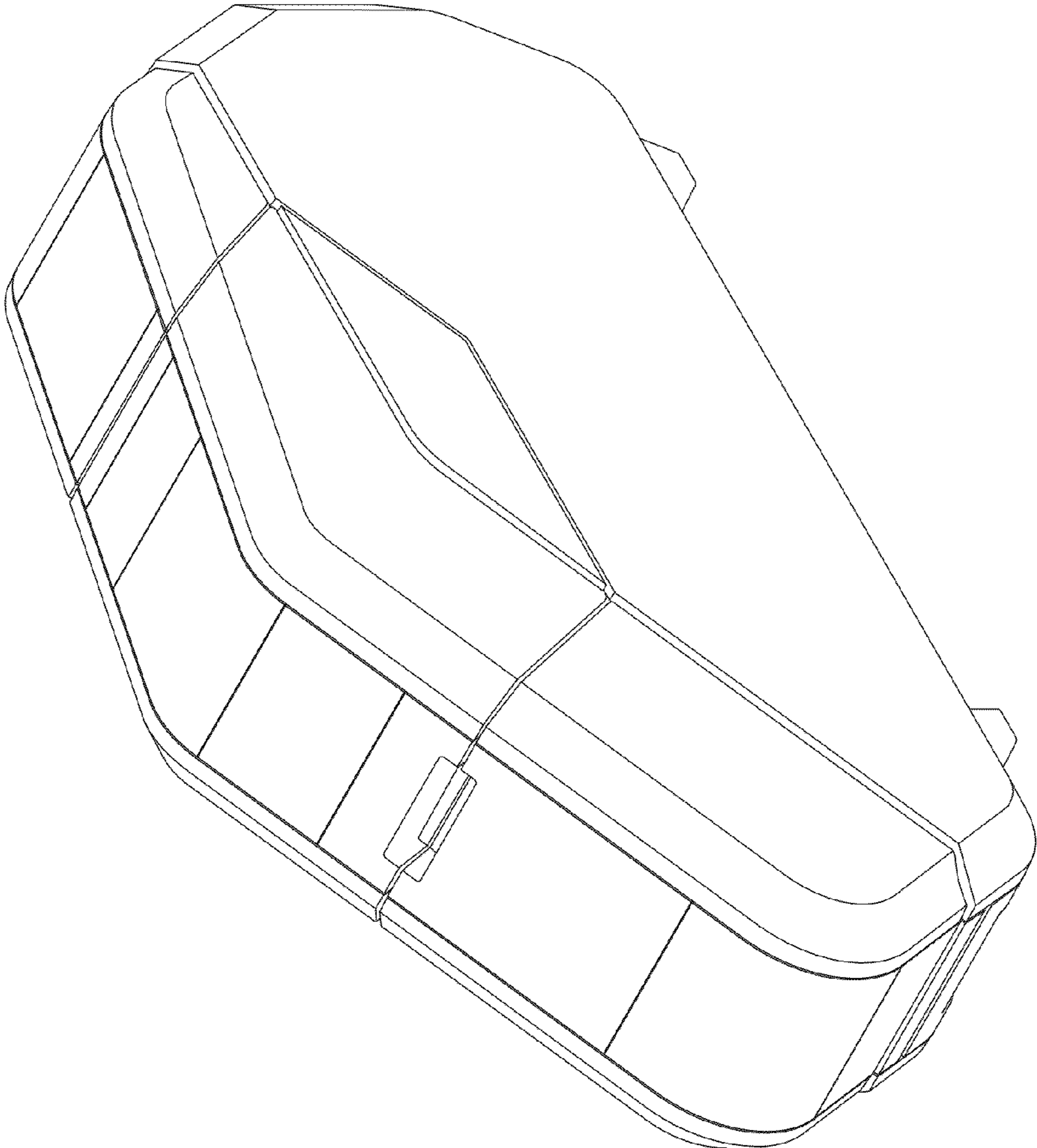


FIG. 7

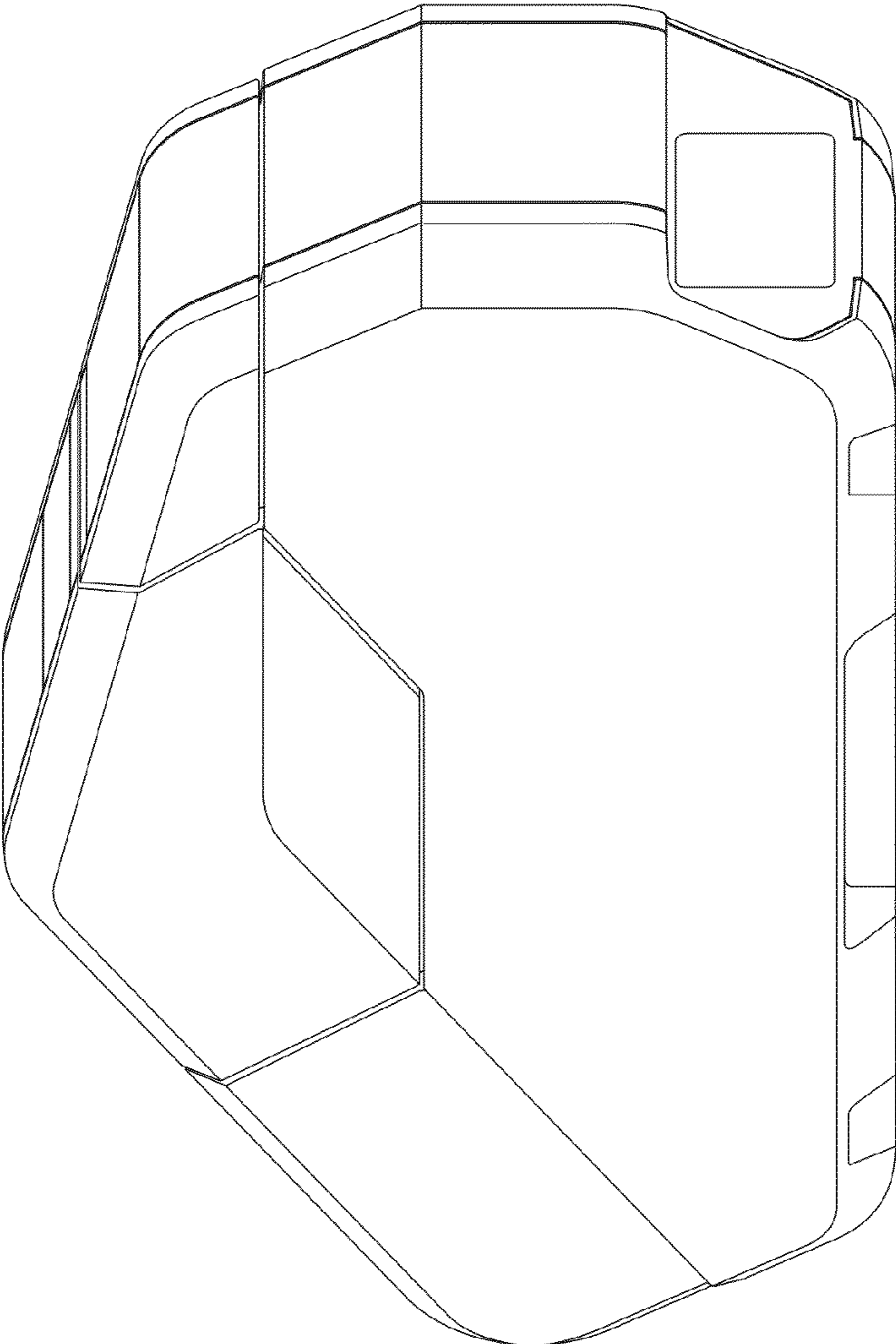


FIG. 8

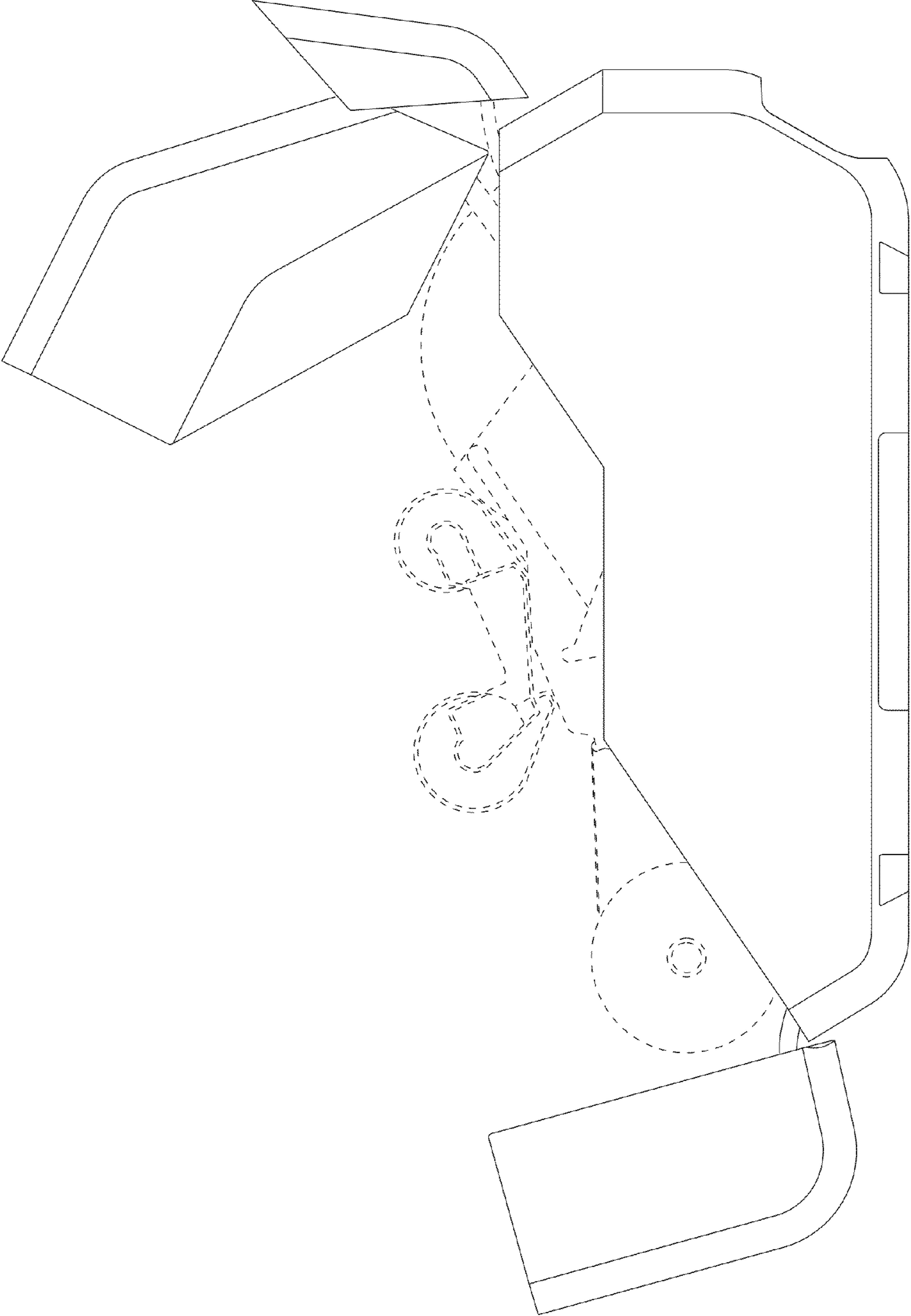


FIG. 9