



US00D752135S

(12) **United States Design Patent**
Uchikawa et al.

(10) **Patent No.:** **US D752,135 S**
(45) **Date of Patent:** **** Mar. 22, 2016**

(54) **ELECTRONIC COPYING MACHINE**

(71) Applicant: **KONICA MINOLTA, INC.**,
Chiyoda-ku (JP)
(72) Inventors: **Ayumi Uchikawa**, Kobe (JP);
Masakazu Nagano, Nishinomiya (JP);
Takashi Terasaka, Osaka (JP)
(73) Assignee: **Konica Minolta, Inc.**, Chiyoda-Ku,
Tokyo (JP)

(**) Term: **14 Years**
(21) Appl. No.: **29/473,945**
(22) Filed: **Nov. 27, 2013**

(30) **Foreign Application Priority Data**
May 29, 2013 (JP) 2013-011777
(51) **LOC (10) Cl.** **16-03**
(52) **U.S. Cl.**
USPC **D18/39**
(58) **Field of Classification Search**
USPC D18/36, 37, 38, 39, 50, 53, 54, 59, 99;
D14/332, 422, 463, 468, 469, 471, 493
CPC B41J 11/00; B41J 2/00; B41J 2/205;
B41J 2/385; B41J 13/00; B41J 29/393;
B41J 27/16
See application file for complete search history.

(56) **References Cited**
U.S. PATENT DOCUMENTS
D584,766 S * 1/2009 Tani D18/55
D626,588 S * 11/2010 Kim et al. D18/39
D659,750 S * 5/2012 Nagano et al. D18/41
D667,488 S * 9/2012 Inoue et al. D18/55

D681,723 S * 5/2013 Gilbert et al. D18/55
D685,414 S * 7/2013 Jeong et al. D18/53
D687,089 S * 7/2013 Nagano et al. D18/39
D695,339 S * 12/2013 Fukasawa et al. D18/55
D697,967 S * 1/2014 Fukasawa et al. D18/55
D702,760 S * 4/2014 Kim et al. D18/55
8,725,037 B2 * 5/2014 Kawamura 399/120
2013/0194369 A1 * 8/2013 Shimamoto 347/118
2014/0118455 A1 * 5/2014 Kuribayashi 347/118
2014/0217667 A1 * 8/2014 Doshida 271/162
2014/0233059 A1 * 8/2014 Itoh et al. 358/1.15
2014/0321875 A1 * 10/2014 Michibata 399/81

* cited by examiner
Primary Examiner — Eric Goodman
Assistant Examiner — Amy Wierenga
(74) *Attorney, Agent, or Firm* — Buchanan, Ingersoll & Rooney PC

(57) **CLAIM**
The ornamental design for an electronic copying machine, as shown and described.

DESCRIPTION
FIG. 1 is a perspective view of an electronic copying machine showing our new design;
FIG. 2 is a front view thereof;
FIG. 3 is a rear view thereof;
FIG. 4 is a top plan view thereof;
FIG. 5 is a bottom plan view thereof;
FIG. 6 is a right side view thereof;
FIG. 7 is a left side view thereof; and,
FIG. 8 is an enlarged, partial perspective view thereof.
The broken dashed lines shown in the drawings represent portions of the electronic copying machine that form no part of the claimed design. The dash-dot lines shown in the drawings represent a boundary of the claimed design.

1 Claim, 8 Drawing Sheets

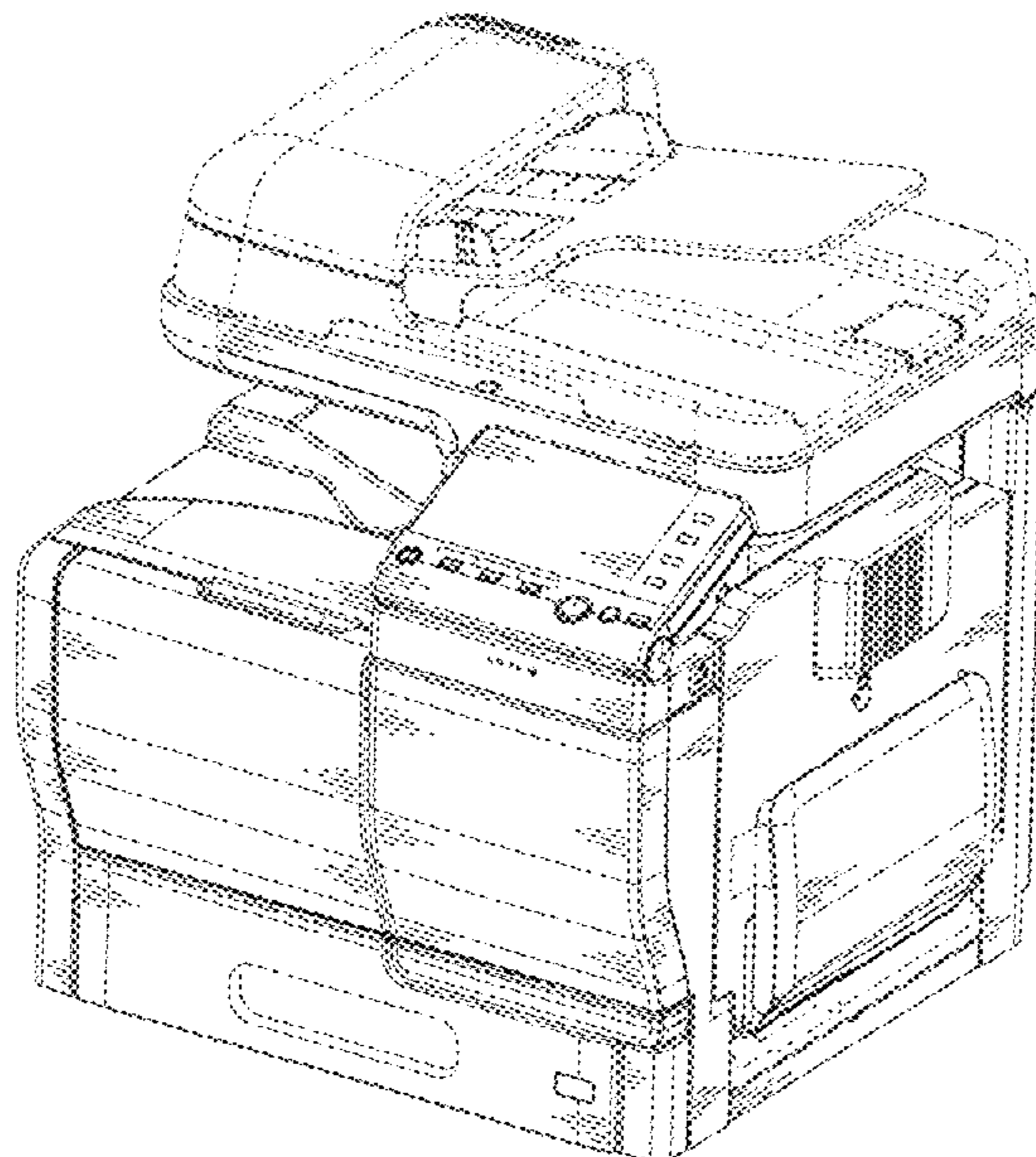


FIG. 1

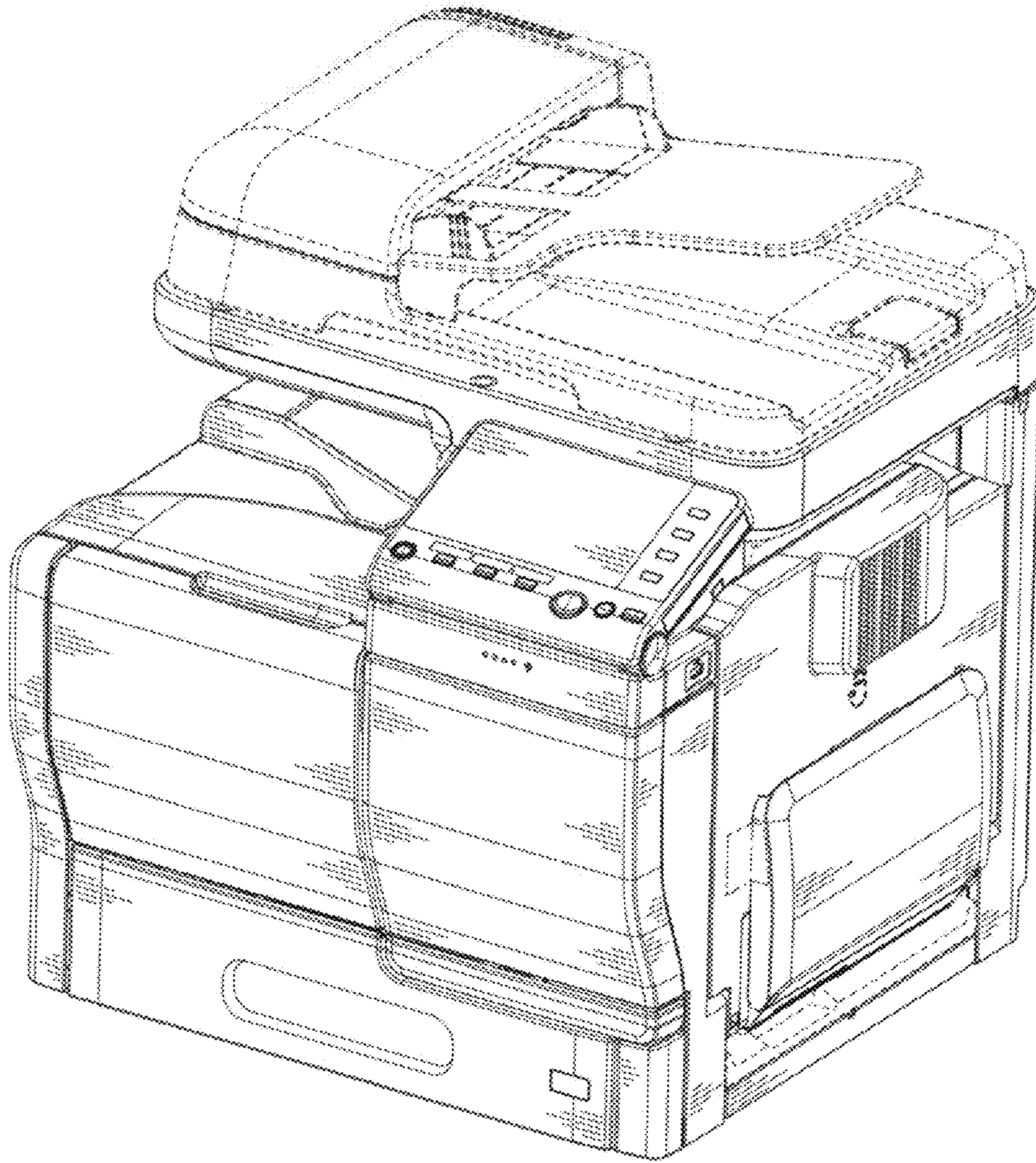


FIG.2

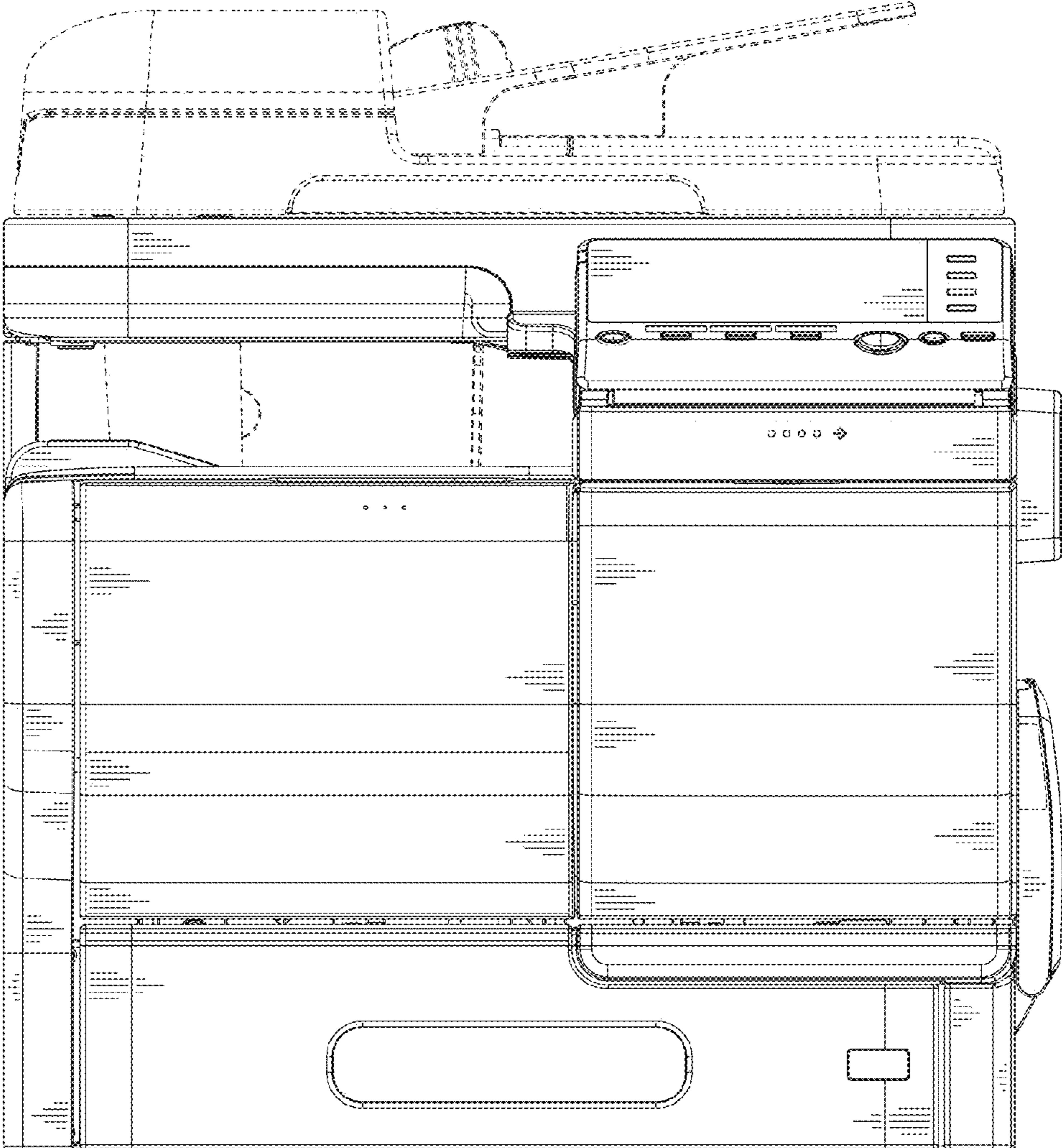


FIG.3

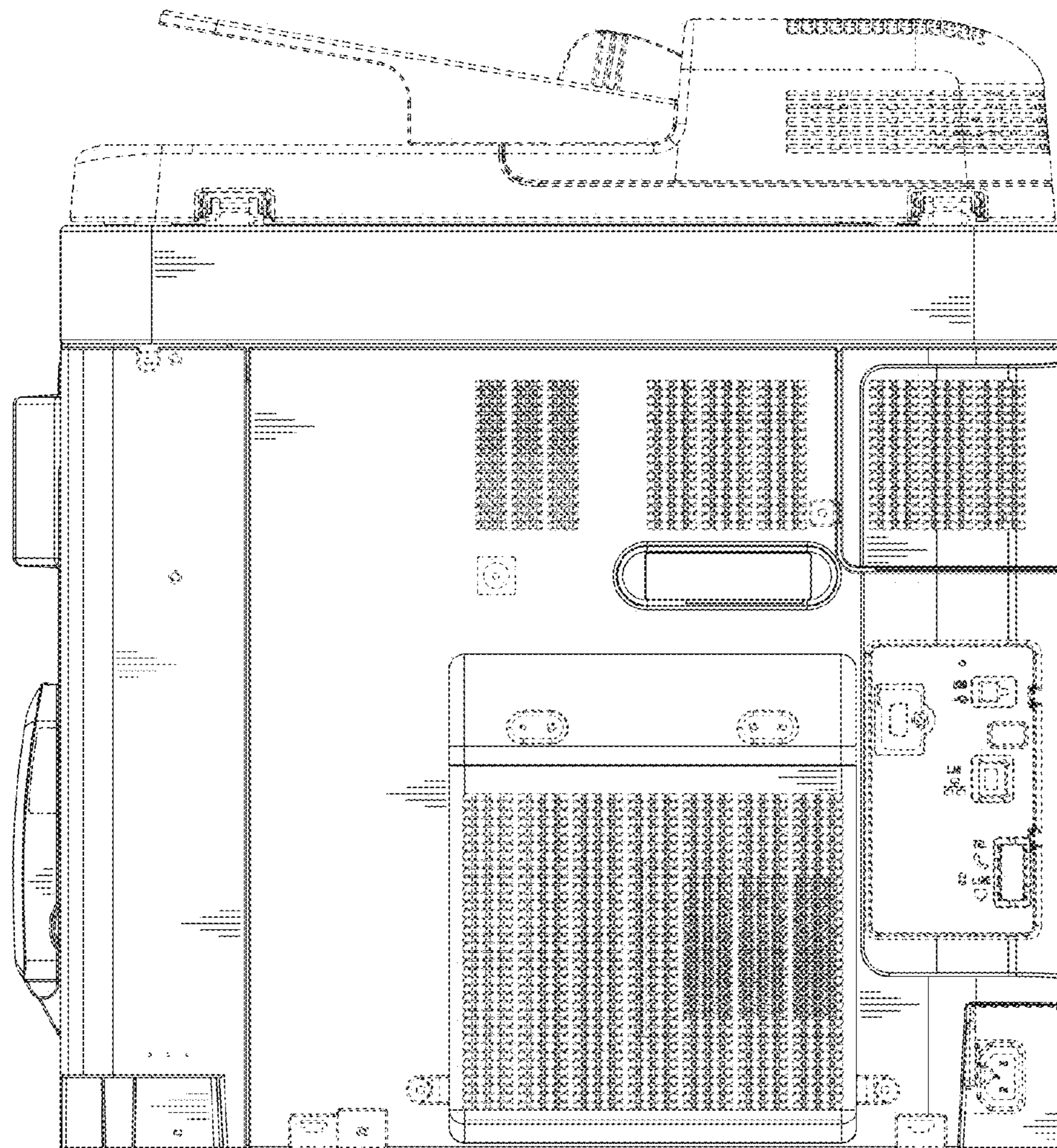


FIG.4

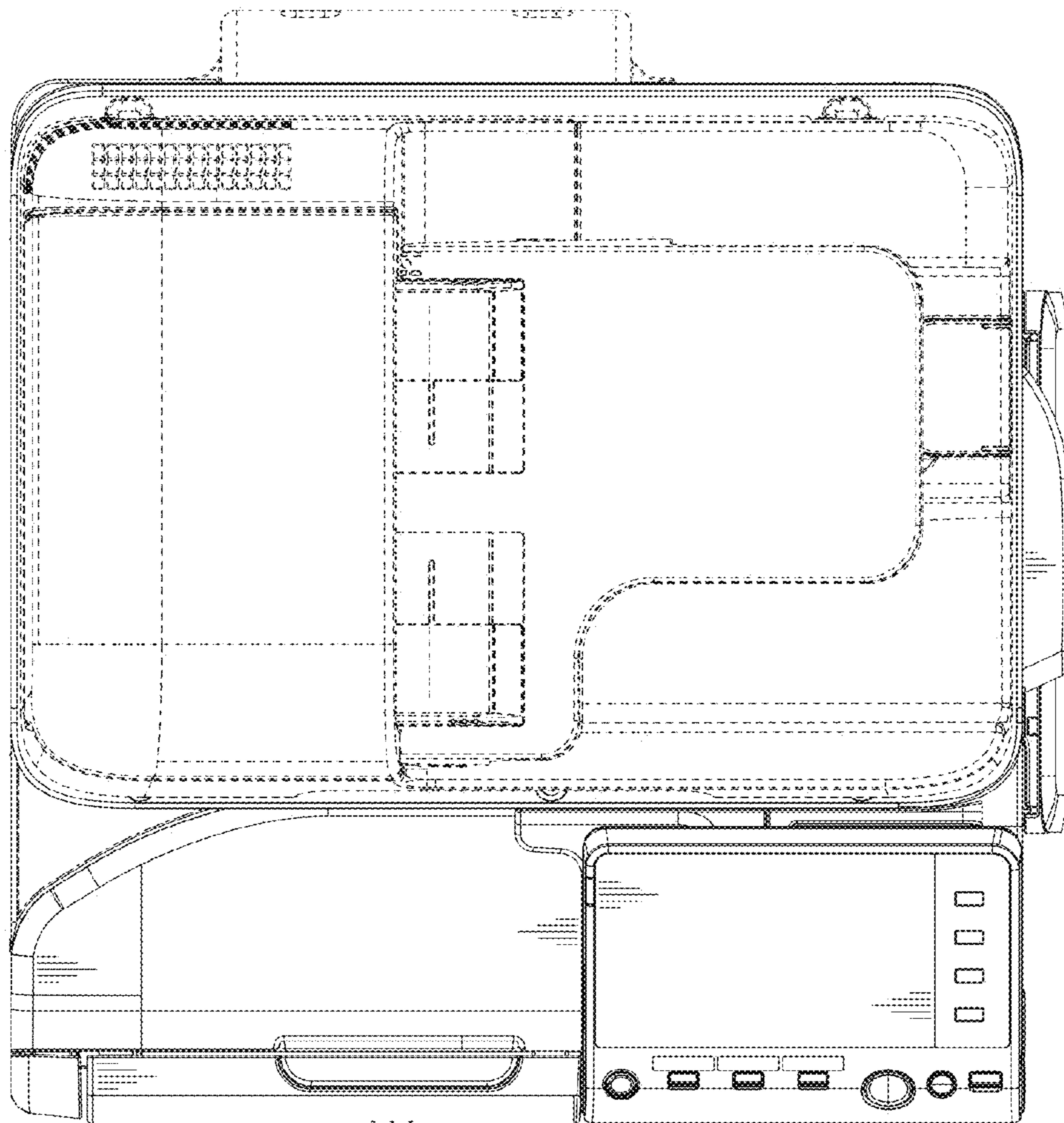


FIG.5

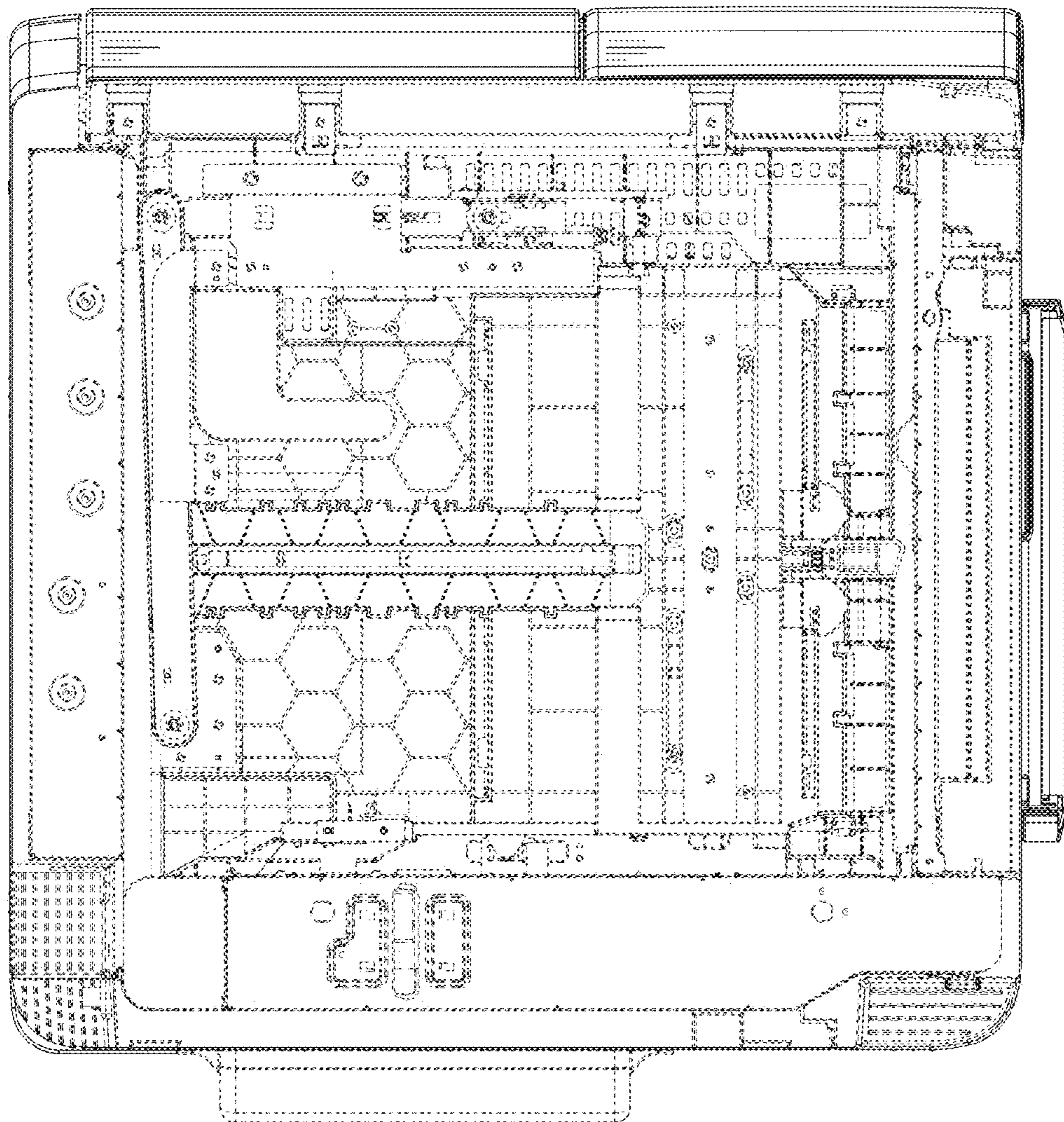


FIG. 6

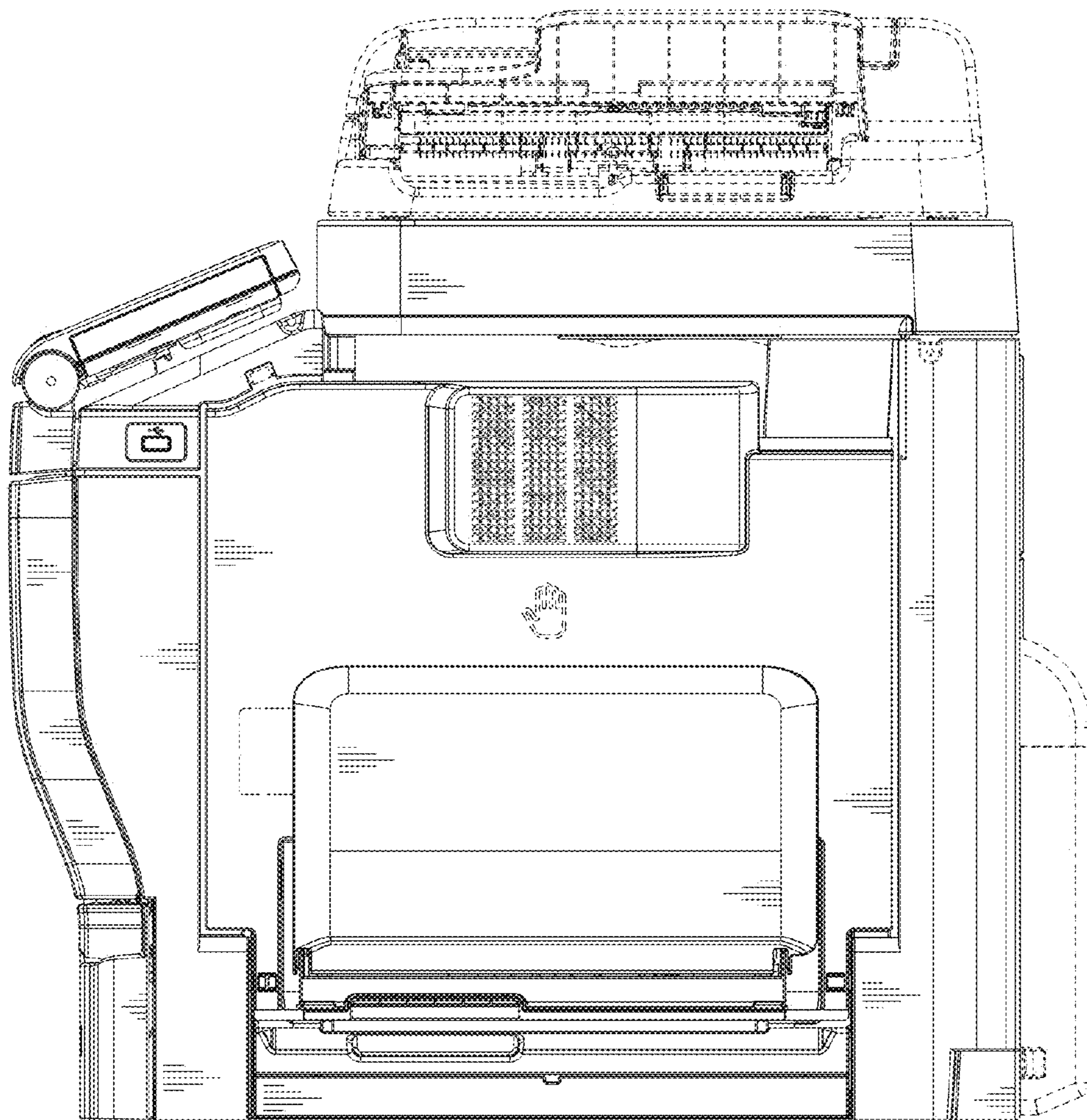


FIG.7

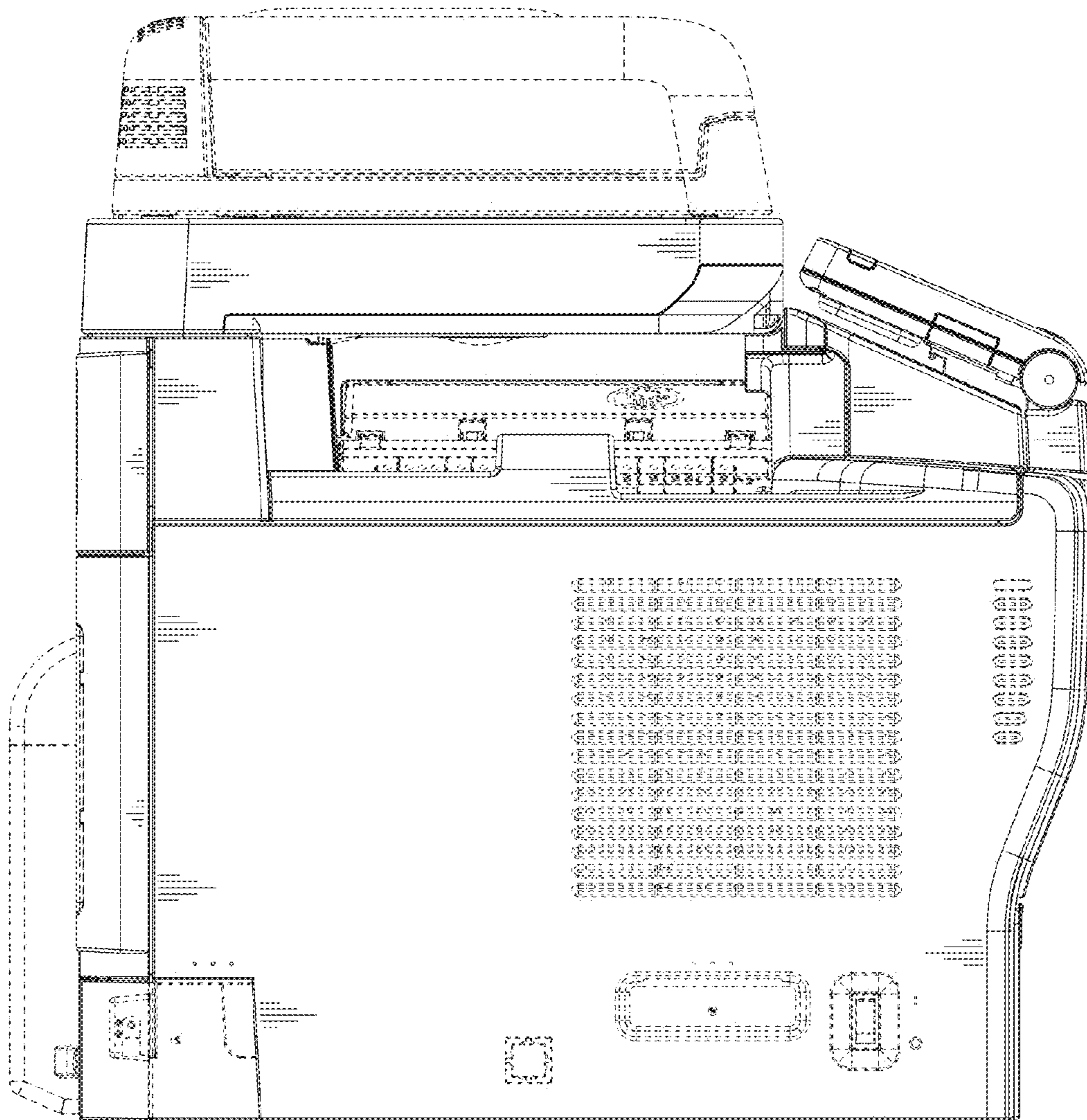


FIG.8

