



US00D752134S

(12) **United States Design Patent**
Uchikawa et al.

(10) **Patent No.:** **US D752,134 S**
(45) **Date of Patent:** **** Mar. 22, 2016**

(54) **ELECTRONIC COPYING MACHINE**

(71) Applicant: **KONICA MINOLTA, INC.**,
Chiyoda-ku (JP)

(72) Inventors: **Ayumi Uchikawa**, Kobe (JP);
Masakazu Nagano, Nishinomiya (JP);
Takashi Terasaka, Osaka (JP)

(73) Assignee: **KONICA MINOLTA, INC.**,
Chiyoda-Ku, Tokyo (JP)

(**) Term: **14 Years**

(21) Appl. No.: **29/463,459**

(22) Filed: **Nov. 27, 2013**

(30) **Foreign Application Priority Data**

May 29, 2013 (JP) 2013-011778

(51) **LOC (10) Cl.** **16-03**

(52) **U.S. Cl.**
USPC **D18/36**

(58) **Field of Classification Search**
USPC D18/36, 37, 38, 39, 50, 53, 54, 59, 99;
D14/332, 422, 463, 468, 469, 471, 493
CPC B41J 11/00; B41J 2/00; B41J 2/205;
B41J 2/385; B41J 13/00; B41J 29/393;
B41J 27/16

See application file for complete search history.

(56) **References Cited**

U.S. PATENT DOCUMENTS

D584,766 S *	1/2009	Tani	D18/55
D626,588 S *	11/2010	Kim et al.	D18/39
D659,750 S *	5/2012	Nagano et al.	D18/41
D667,488 S *	9/2012	Inoue et al.	D18/55
D681,723 S *	5/2013	Gilbert et al.	D18/55
D685,414 S *	7/2013	Jeong et al.	D18/53
D687,089 S *	7/2013	Nagano et al.	D18/39
D695,339 S *	12/2013	Fukasawa et al.	D18/55
D697,967 S *	1/2014	Fukasawa et al.	D18/55
D702,760 S *	4/2014	Kim et al.	D18/55

8,725,037 B2 *	5/2014	Kawamura	399/120
2013/0194369 A1 *	8/2013	Shimamoto	347/118
2014/0118455 A1 *	5/2014	Kuribayashi	347/118
2014/0217667 A1 *	8/2014	Doshida	271/162
2014/0233059 A1 *	8/2014	Itoh et al.	358/1.15
2014/0321875 A1 *	10/2014	Michibata	399/81

* cited by examiner

Primary Examiner — Eric Goodman

Assistant Examiner — Amy Wierenga

(74) *Attorney, Agent, or Firm* — Buchanan Ingersoll & Rooney PC

(57) **CLAIM**

The ornamental design for an electronic copying machine, as shown and described.

DESCRIPTION

The patent or application file contains at least one drawing executed in color. Copies of this patent or patent application publication with color drawings will be provided by the Office upon request and payment of the necessary fee.

FIG. 1 is a perspective view of an electronic copying machine showing our new design;

FIG. 2 is a front view thereof;

FIG. 3 is a rear view thereof;

FIG. 4 is a top plan view thereof;

FIG. 5 is a bottom plan view thereof;

FIG. 6 is a right side view thereof;

FIG. 7 is a left side view thereof;

FIG. 8 is a perspective view of the electronic copying machine shown in FIG. 1 with the coloration removed for clarity;

FIG. 9 is a front view thereof;

FIG. 10 is a rear view thereof;

FIG. 11 is a top plan view thereof;

FIG. 12 is a bottom plan view thereof;

FIG. 13 is a right side view thereof; and,

FIG. 14 is a left side view thereof.

The broken lines shown in the drawings represent portions of the electronic copying machine that form no part of the claimed design.

1 Claim, 14 Drawing Sheets
(7 of 14 Drawing Sheet(s) Filed in Color)

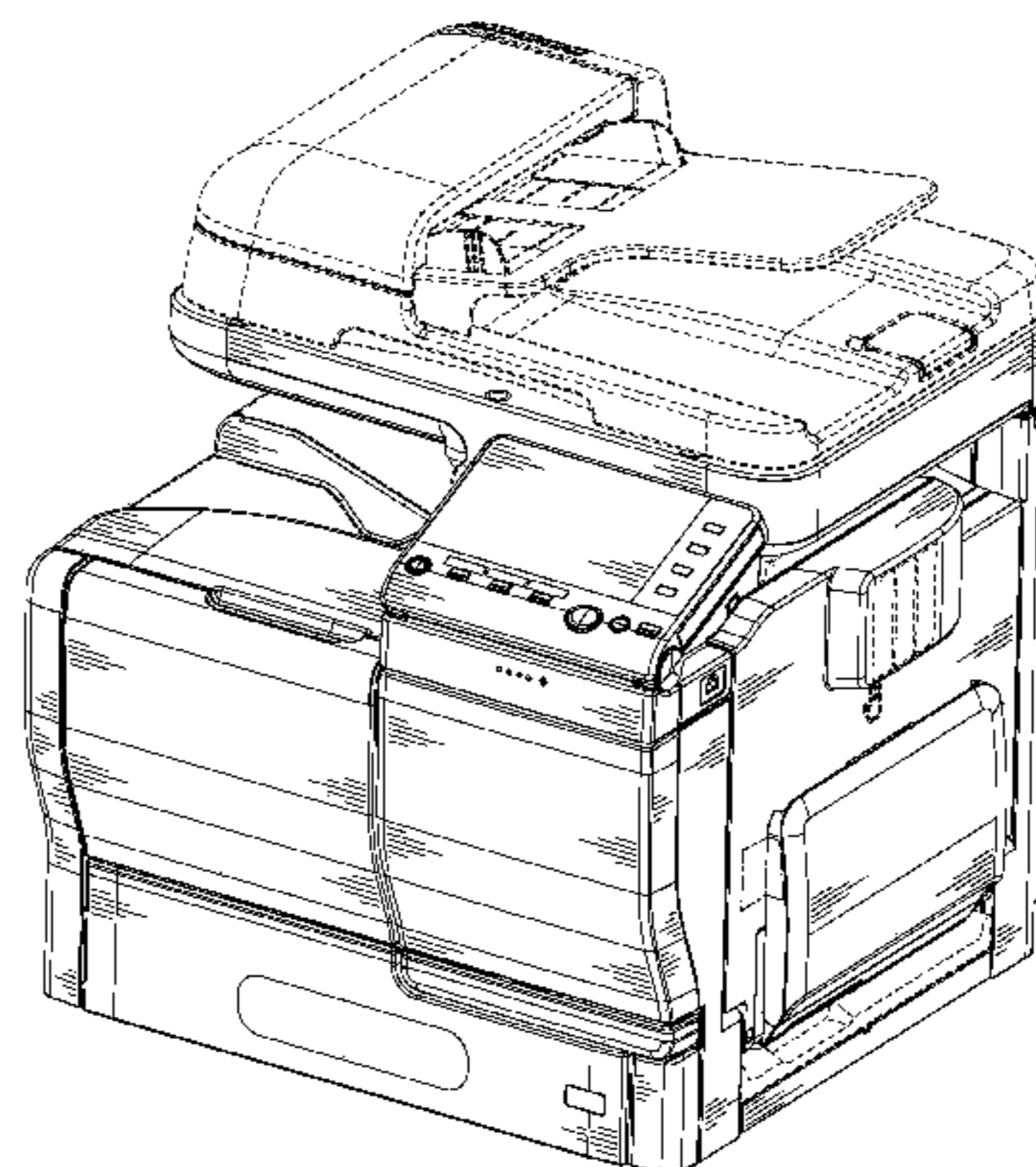
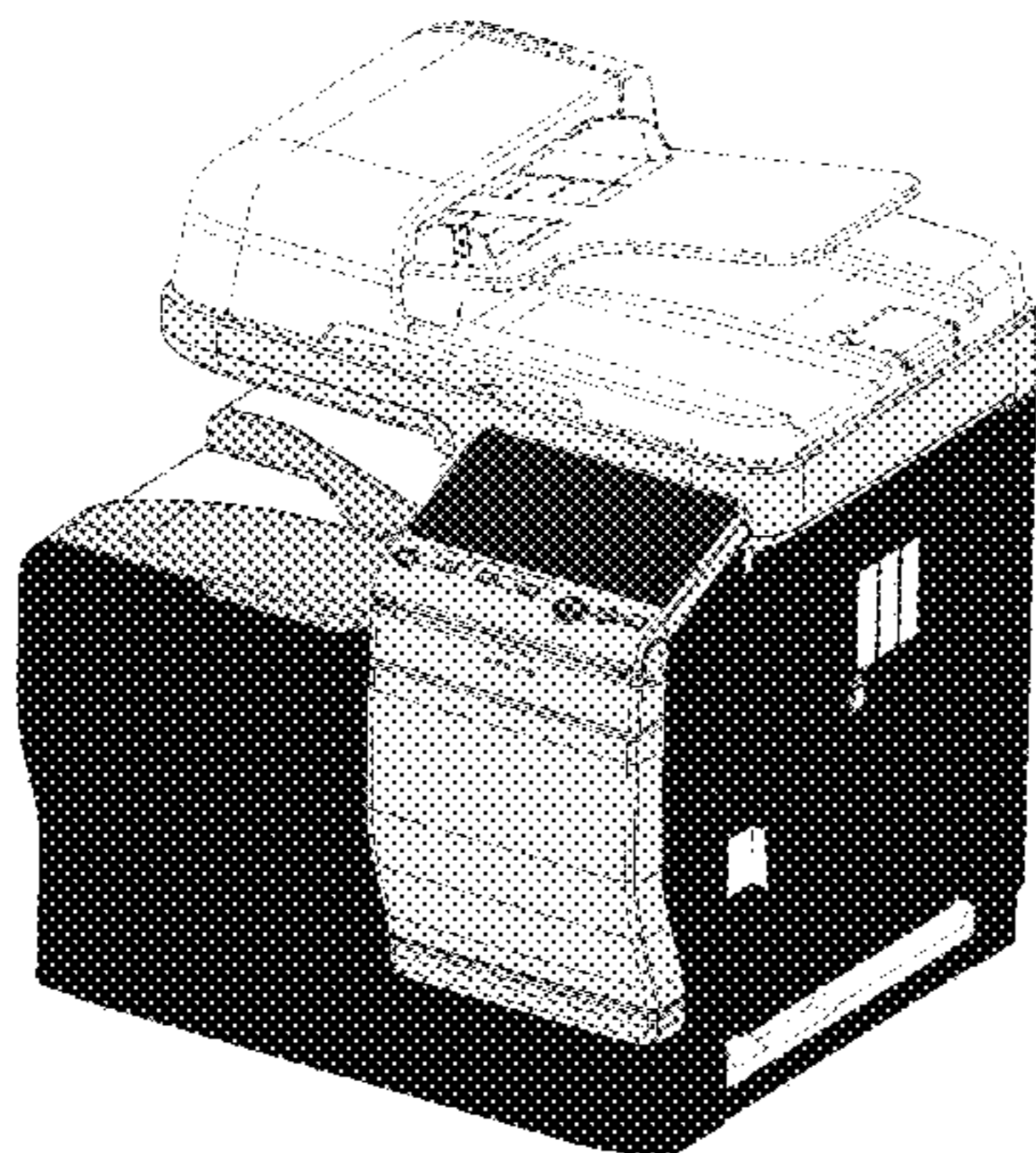


FIG. 1

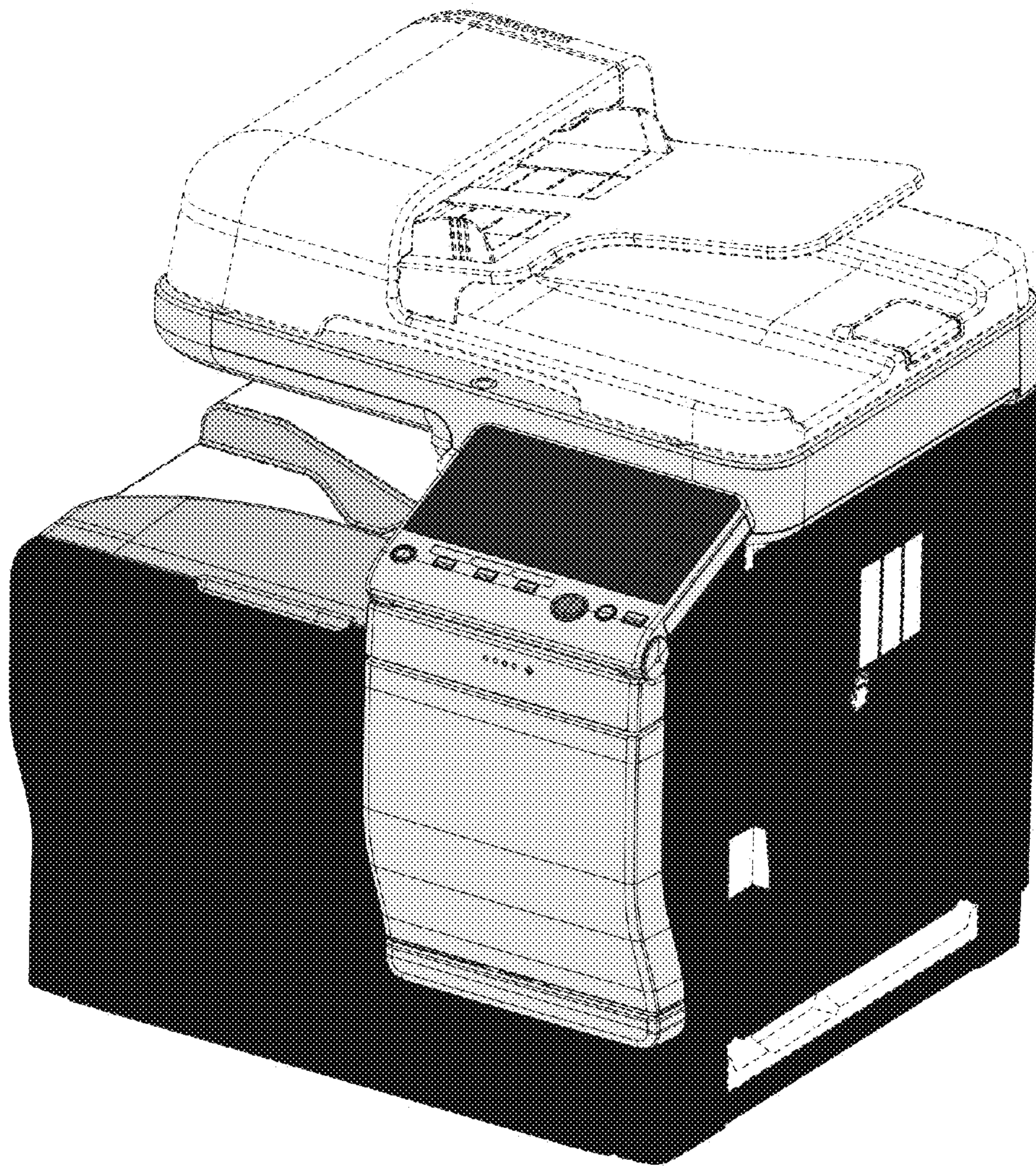


FIG.2

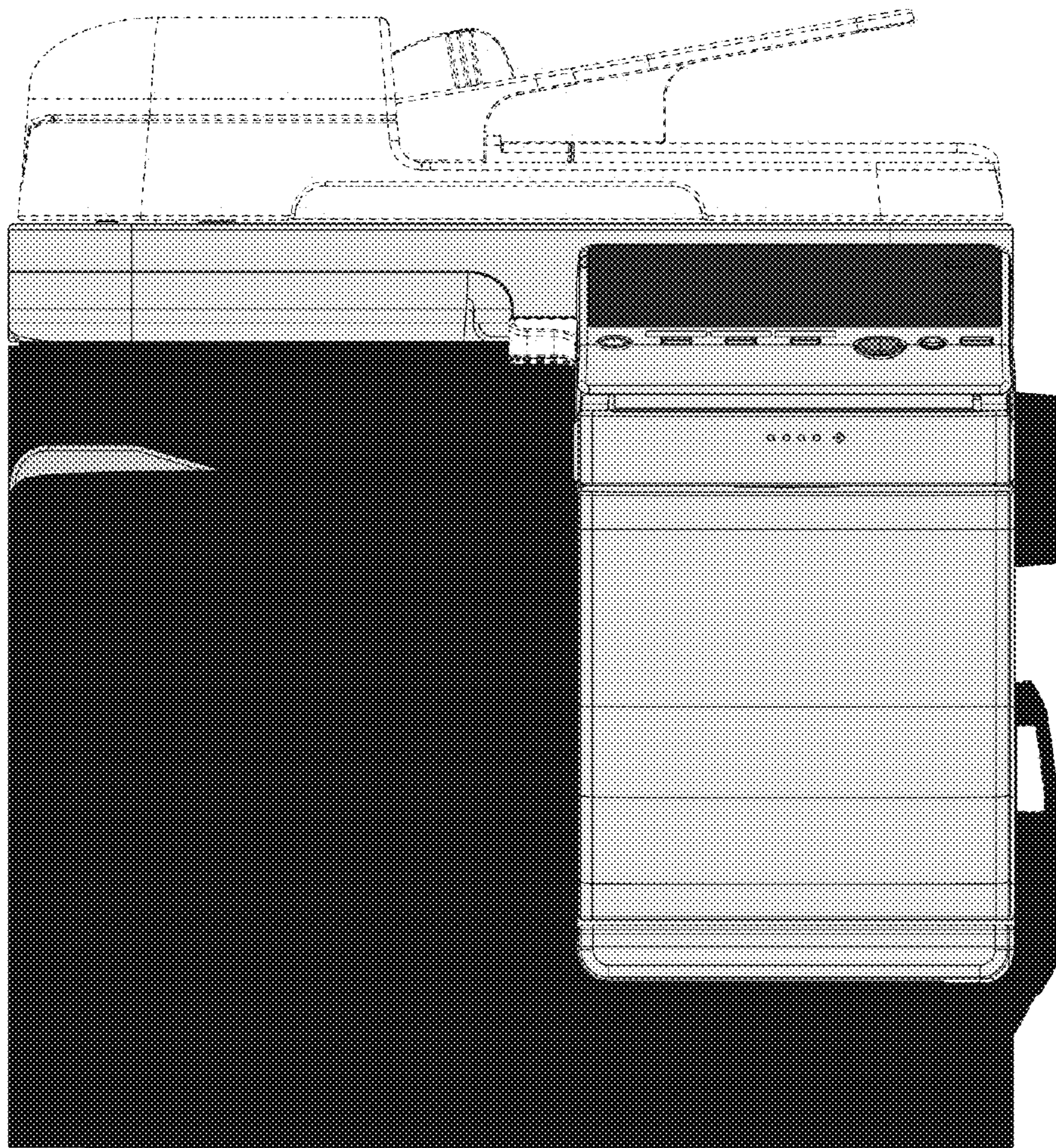


FIG.3

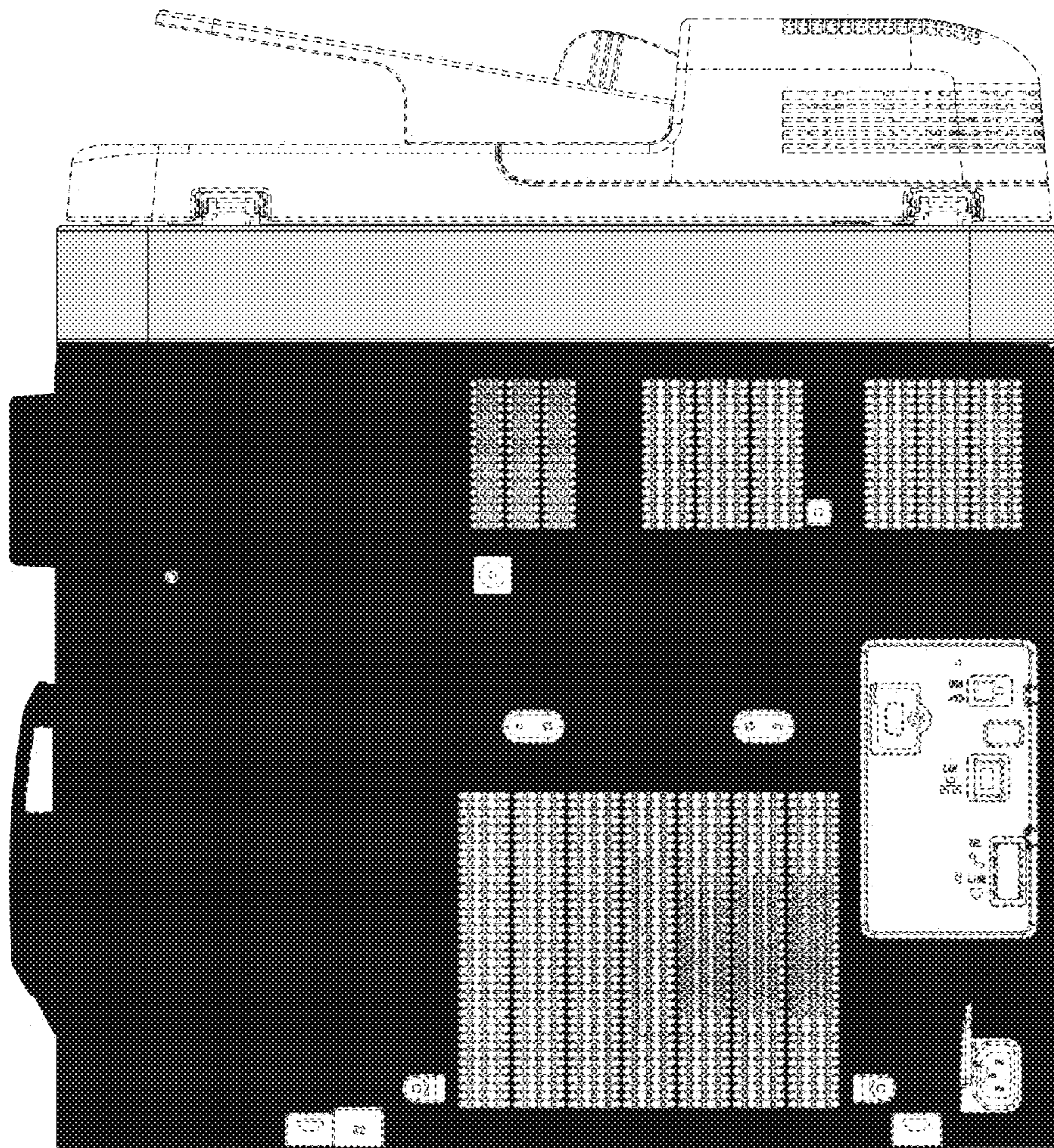


FIG.4

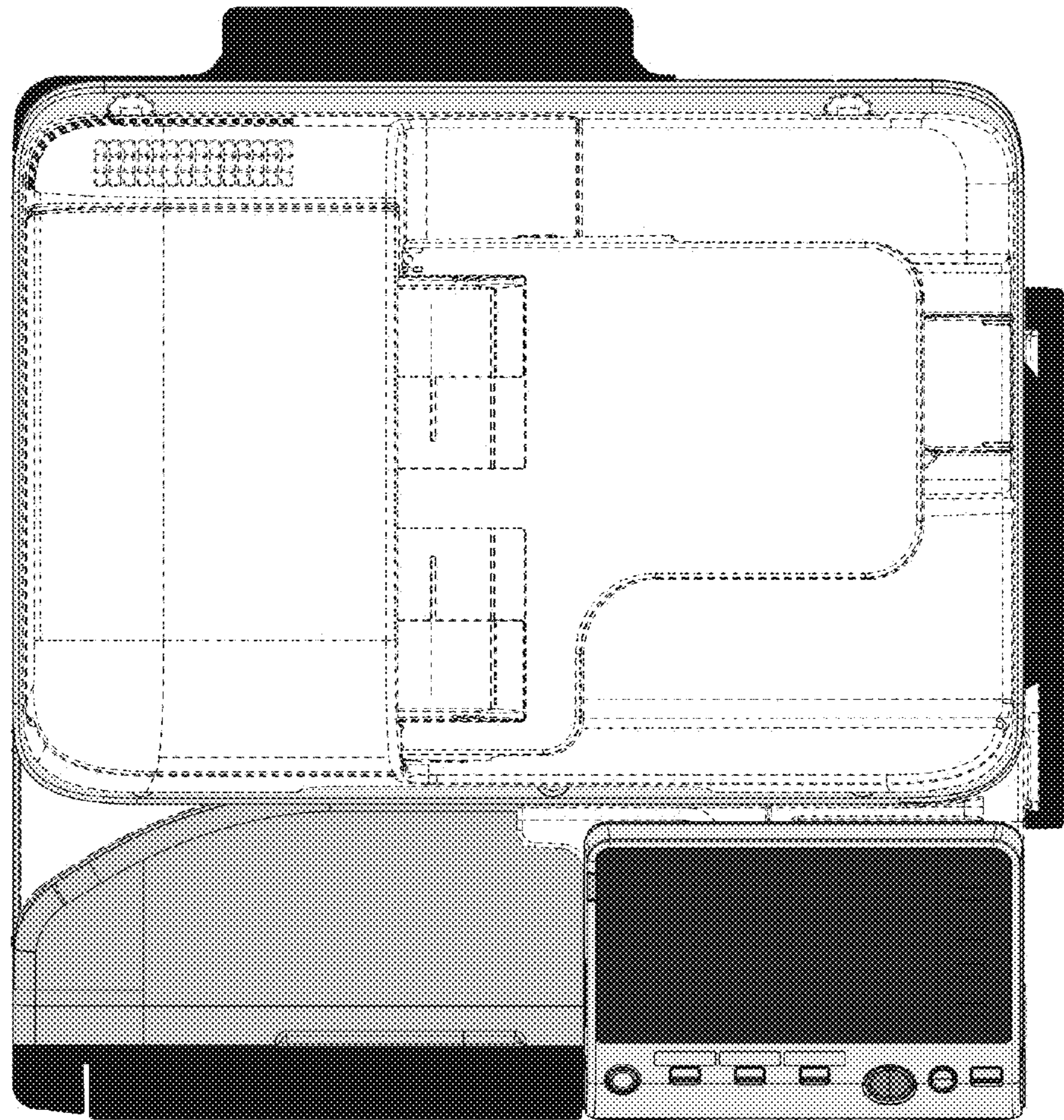


FIG. 5

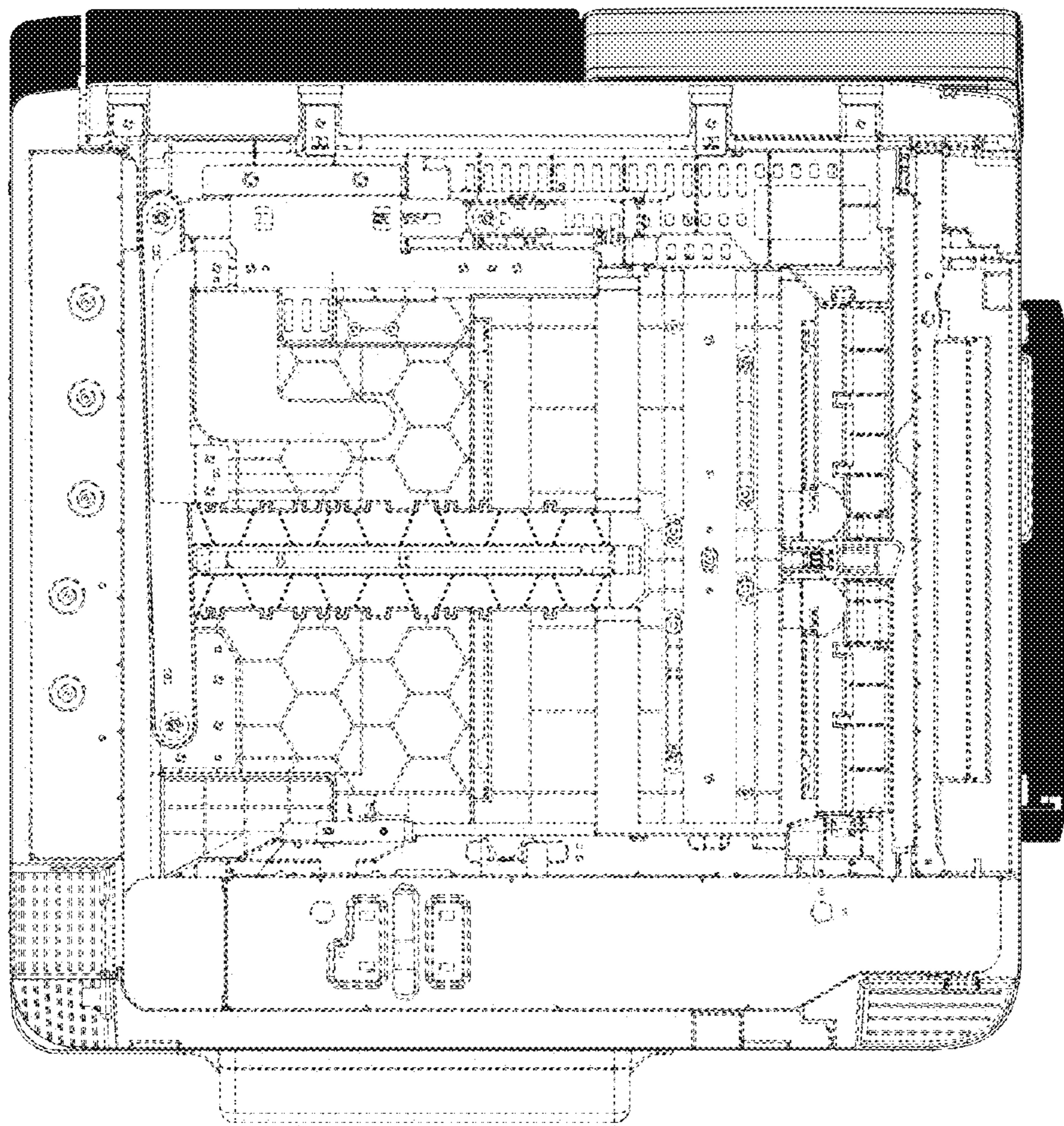


FIG. 6

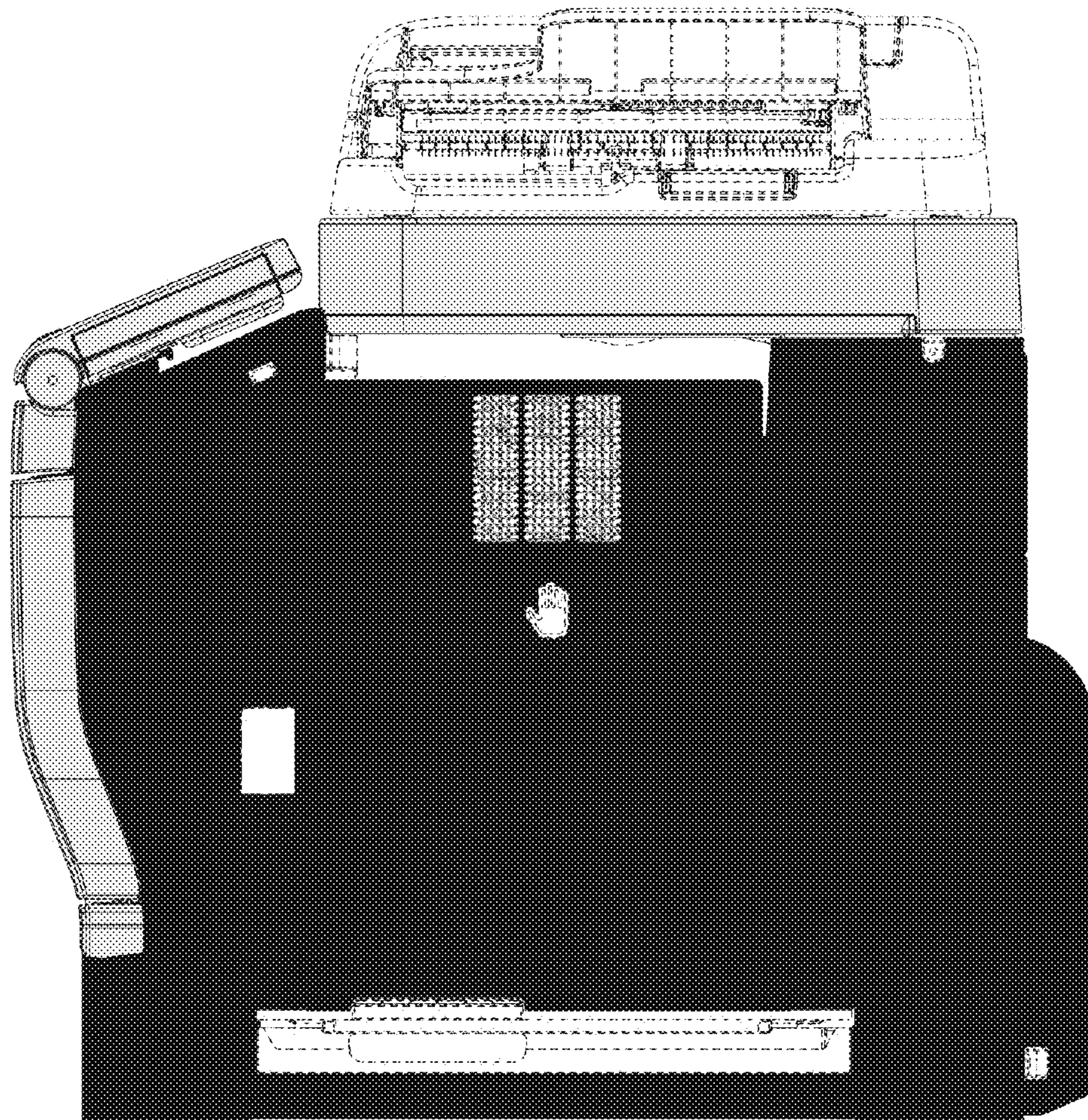


FIG. 7

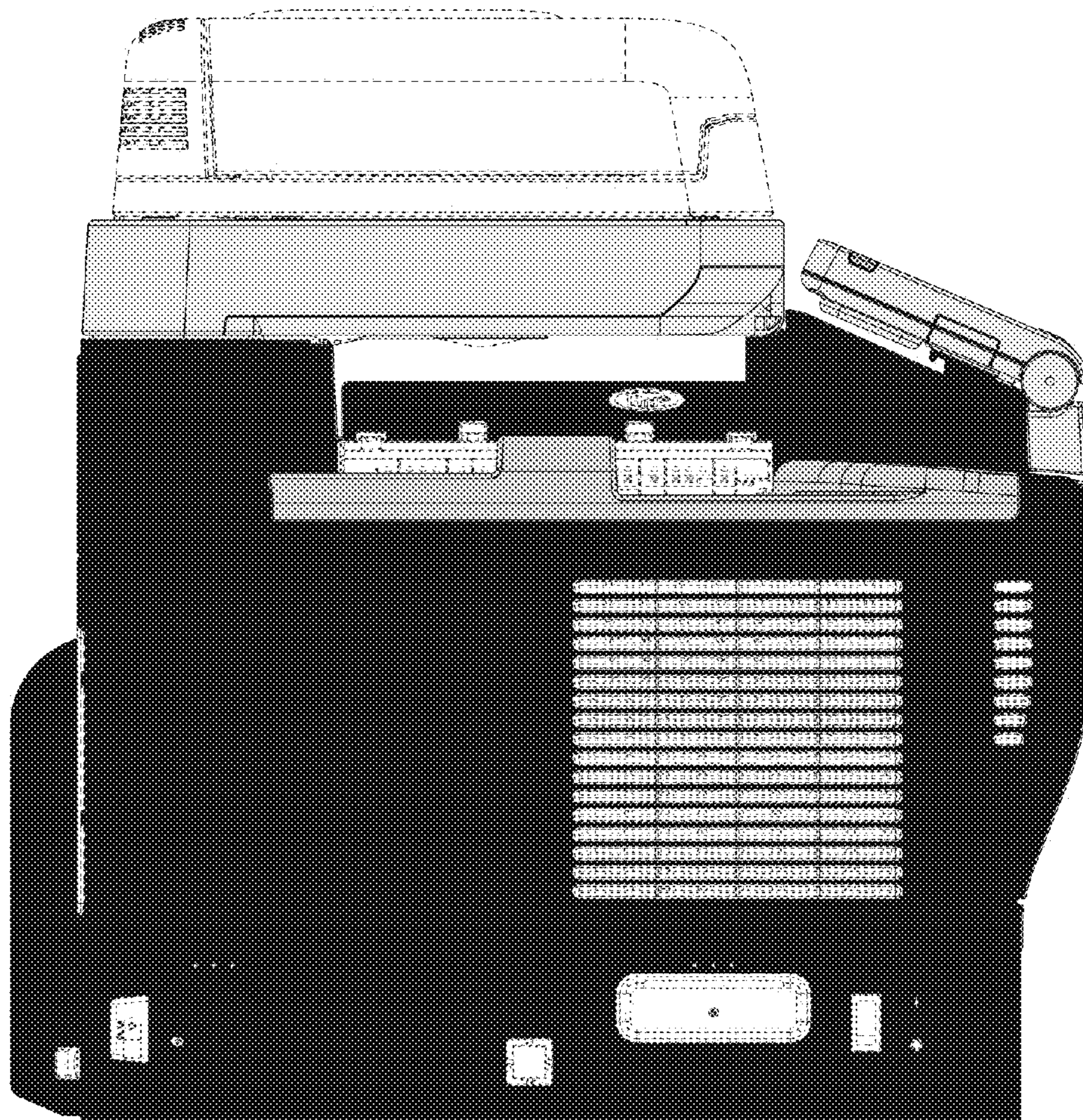


FIG.8

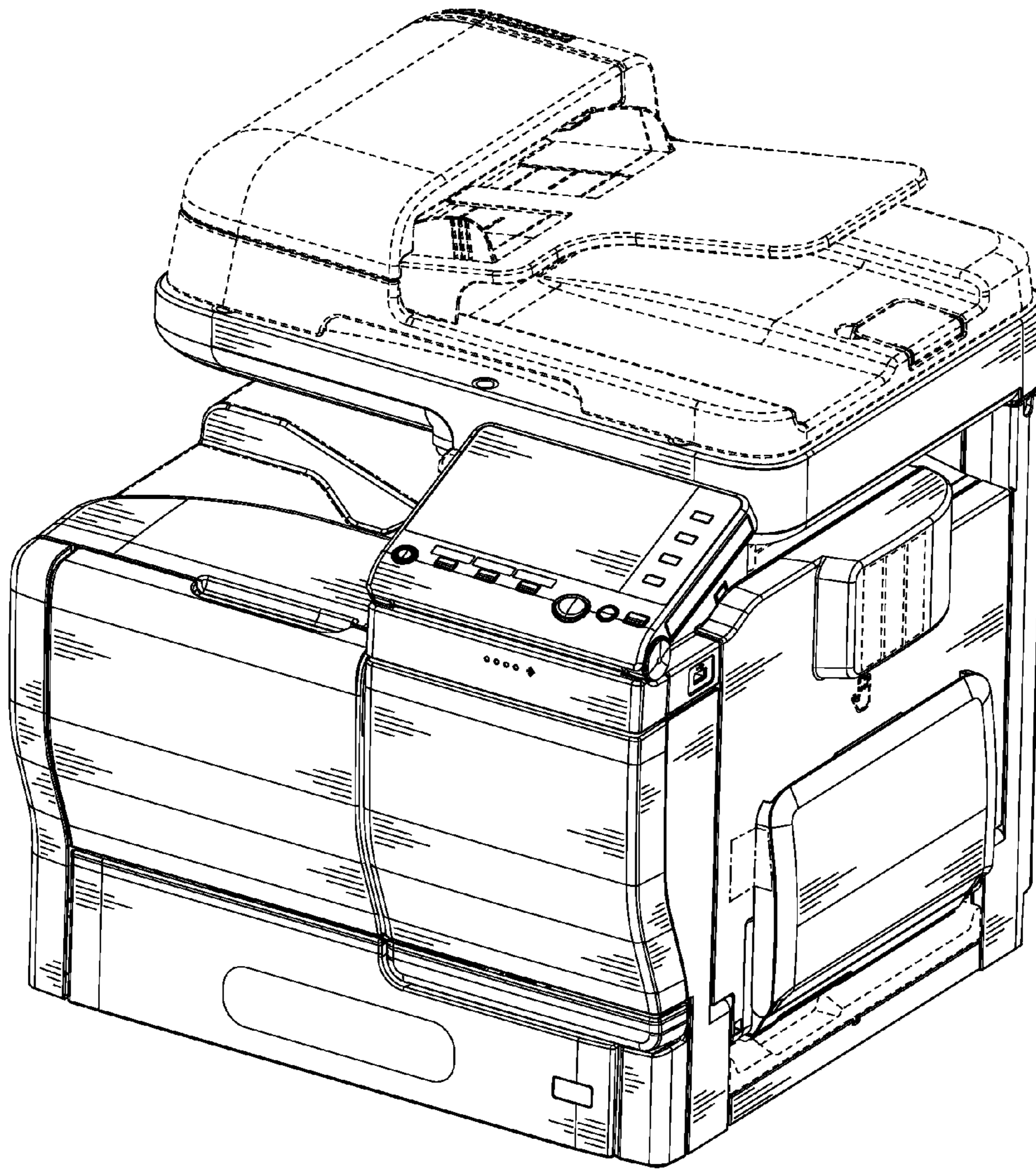


FIG.9

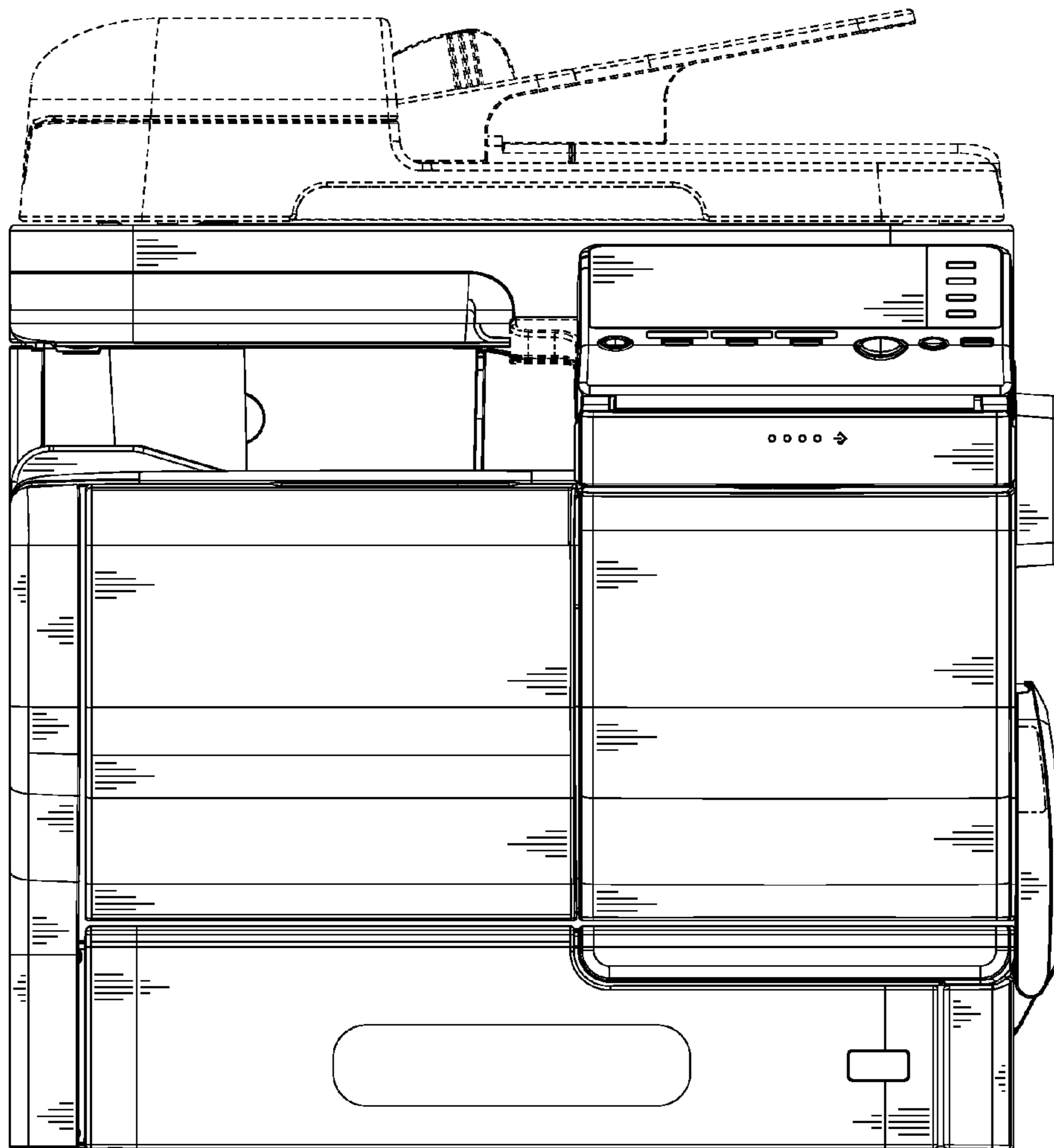


FIG. 11

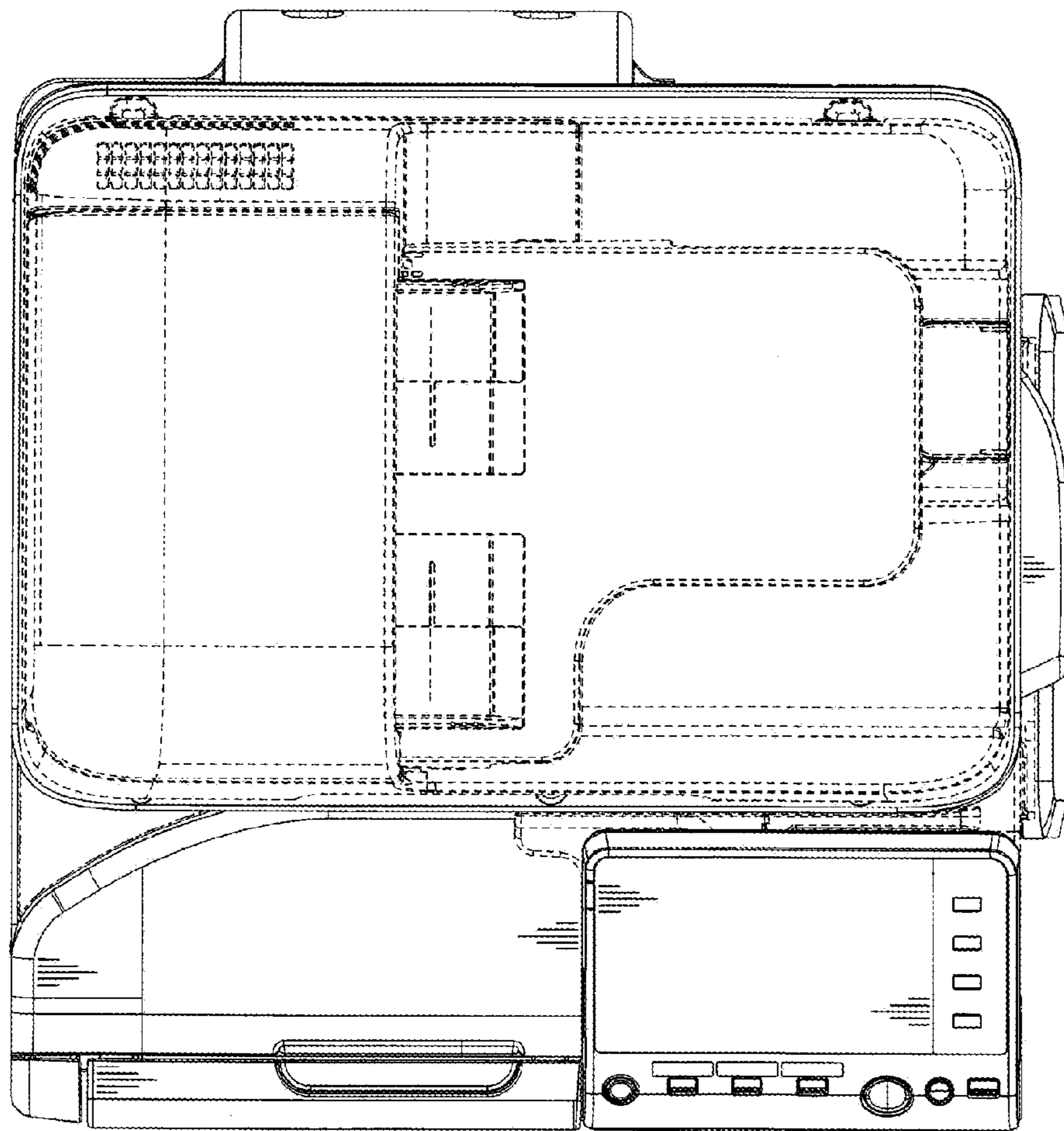


FIG.12

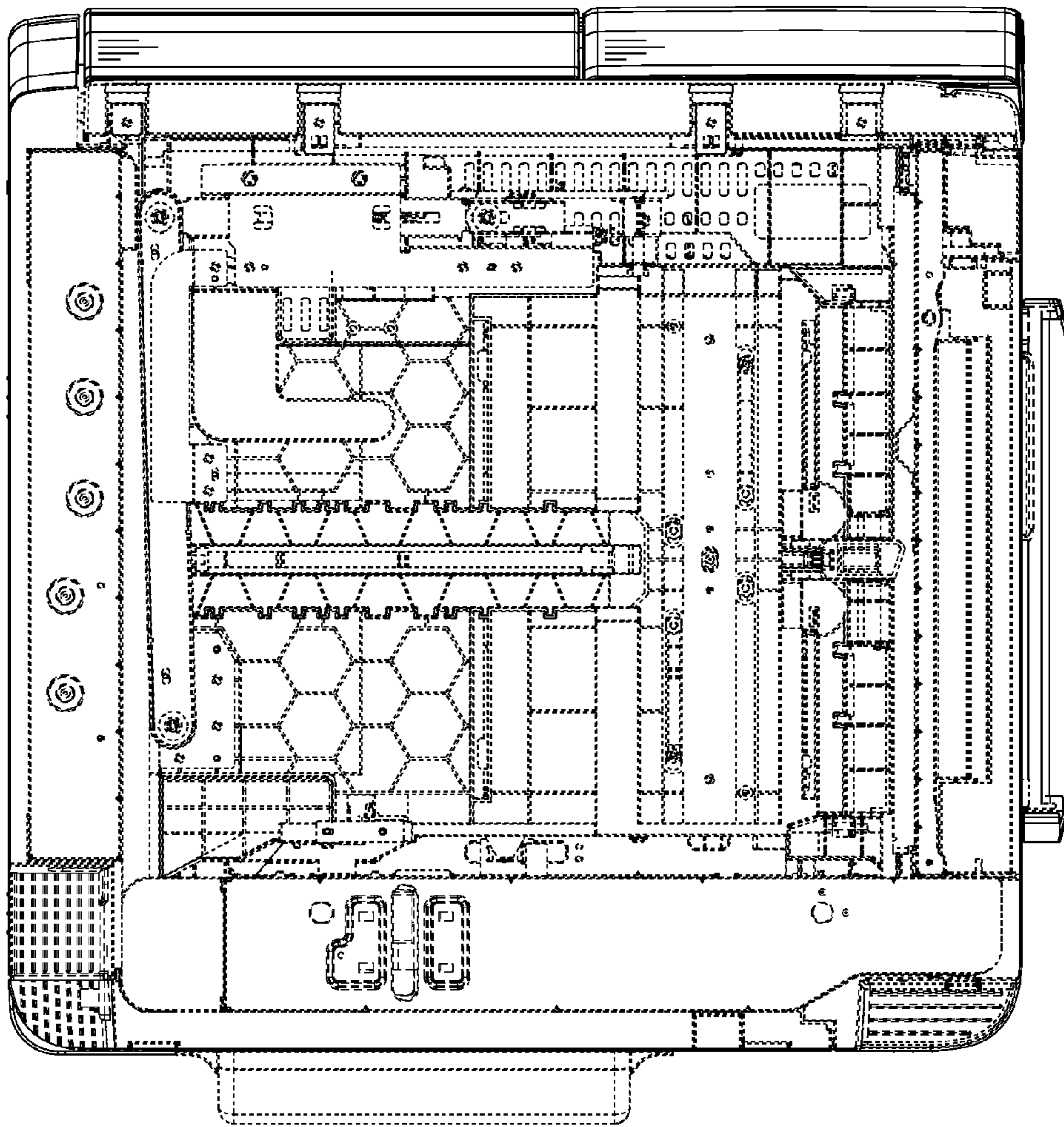


FIG.13

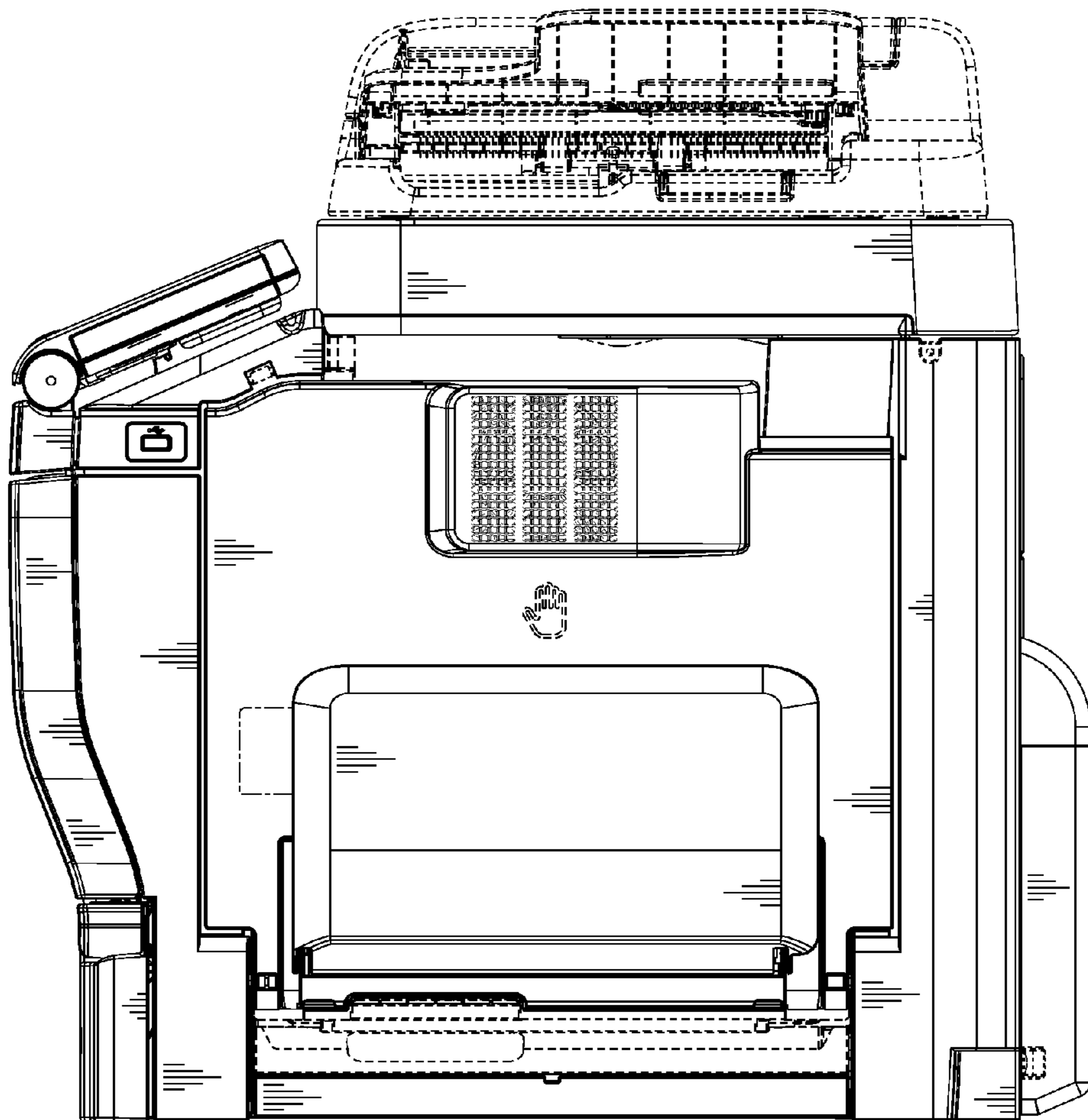


FIG.14

