



US00D752133S

(12) **United States Design Patent**  
**Imai**

(10) **Patent No.:** **US D752,133 S**  
(45) **Date of Patent:** **\*\* Mar. 22, 2016**

(54) **PAPER CUTTER**

(71) Applicant: **PLUS Corporation**, Tokyo (JP)

(72) Inventor: **Tetsuya Imai**, Tokyo (JP)

(73) Assignee: **PLUS Corporation**, Tokyo (JP)

(\*\*) Term: **14 Years**

(21) Appl. No.: **29/494,247**

(22) Filed: **Jun. 18, 2014**

(30) **Foreign Application Priority Data**

Dec. 20, 2013 (JP) ..... 2013-30027

(51) **LOC (10) Cl.** ..... **18-04**

(52) **U.S. Cl.**  
USPC ..... **D18/34.7**

(58) **Field of Classification Search**  
USPC ..... D18/34.1, 34.3, 34.7, 34.8, 34.9;  
D15/127; 83/605, 407, 408, 455, 600,  
83/601, 698.11; 30/155, 159-163, 318;  
D8/51, 98

CPC ..... B26D 2007/005; B26D 2007/0087;  
B26D 2001/0053; B26D 1/025; B26D 1/035;  
B26D 1/045; B26D 1/065; B26D 1/08;  
B26D 1/085; B26D 1/10; B26D 1/105;  
B26D 1/125; B26D 1/147; B26D 1/1475;  
B26D 1/15; B26D 1/151; B26D 1/153;  
B26D 1/1535; B26D 1/185; B26D 1/305;  
B26D 1/34; B26D 1/345; B26D 1/36; B26D  
1/365; B26D 1/38; B26D 1/385; B26D 1/56;  
B26D 1/565; B26D 1/58; B26D 1/585;  
B26D 5/083; B26D 7/015; B26D 7/025;  
B26D 7/22; B26D 1/0006; B26D 5/16;  
B26D 7/2614; B23D 35/008; Y10T 83/7763;  
Y10T 83/8822; Y10T 83/885; Y10T 83/8851;  
Y10T 83/7507; Y10T 83/8874; Y10T  
83/8814; Y10T 83/9493; Y10T 83/7533;  
Y10T 83/8821; Y10T 83/828; Y10T 83/872;  
Y10T 83/8841; Y10S 83/955

See application file for complete search history.

(56) **References Cited**

U.S. PATENT DOCUMENTS

4,010,063 A \* 3/1977 Natter ..... B29C 65/38  
156/510

D319,840 S \* 9/1991 Hatsumi ..... D18/34.8

(Continued)

FOREIGN PATENT DOCUMENTS

CN 301625659 \* 7/2011

CN 303033404 \* 12/2014

(Continued)

*Primary Examiner* — Bridget L Eland

*Assistant Examiner* — Lauren McVey

(74) *Attorney, Agent, or Firm* — Kolisch Hartwell, P.C.

(57) **CLAIM**

What is claimed is the ornamental design for a paper cutter, as shown and described.

**DESCRIPTION**

FIG. 1 is a top, front and left-side perspective view of a paper cutter in a closed position;

FIG. 2 is a right-side elevation thereof;

FIG. 3 is a front elevation thereof;

FIG. 4 is a left-side elevation thereof;

FIG. 5 is a rear elevation thereof;

FIG. 6 is a top plan view thereof;

FIG. 7 is a bottom plan view thereof;

FIG. 8 is a top, front, and left-side perspective view of the paper cutter in an open position;

FIG. 9 is a right-side elevation thereof;

FIG. 10 is a front elevation thereof;

FIG. 11 is a left-side elevation thereof;

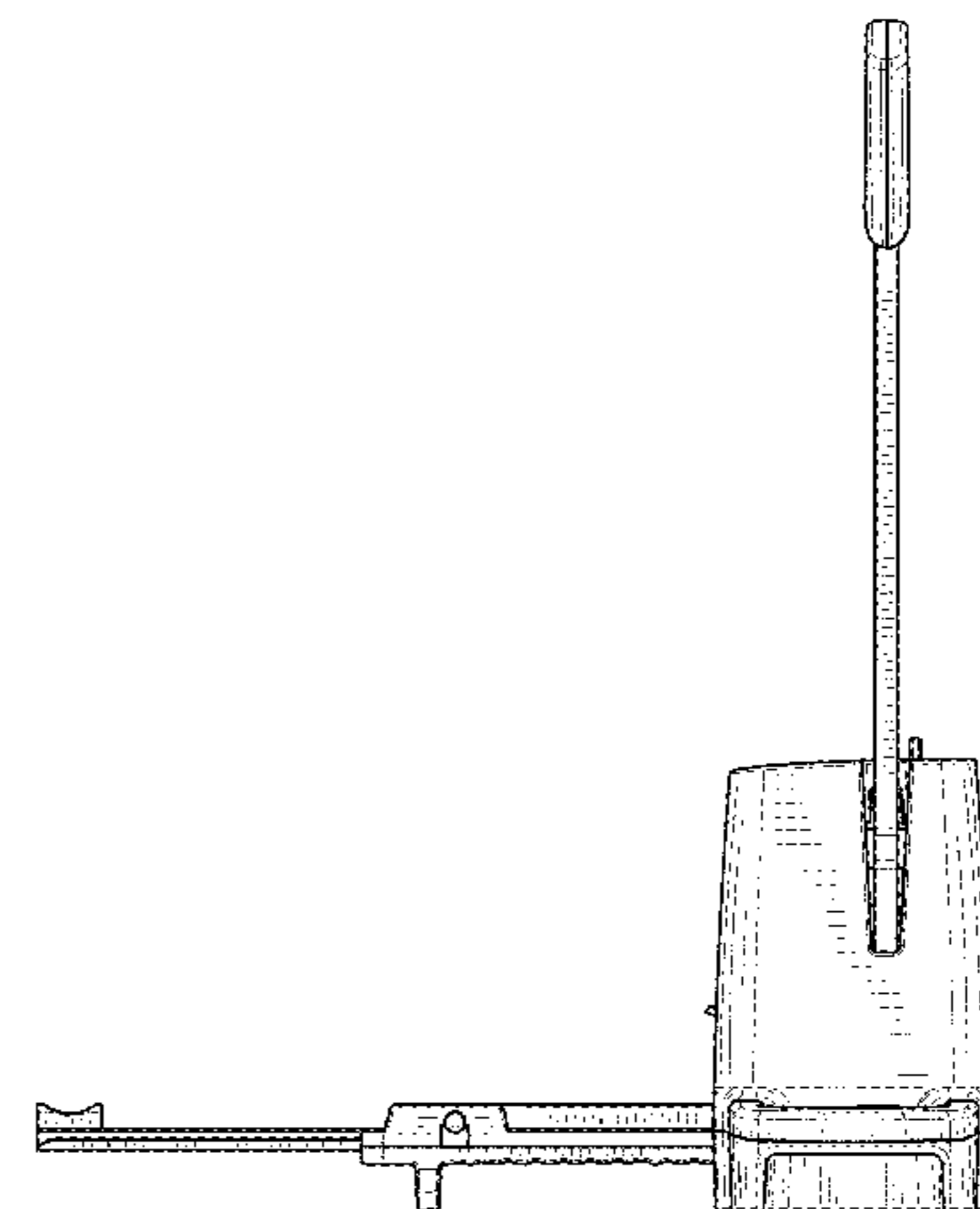
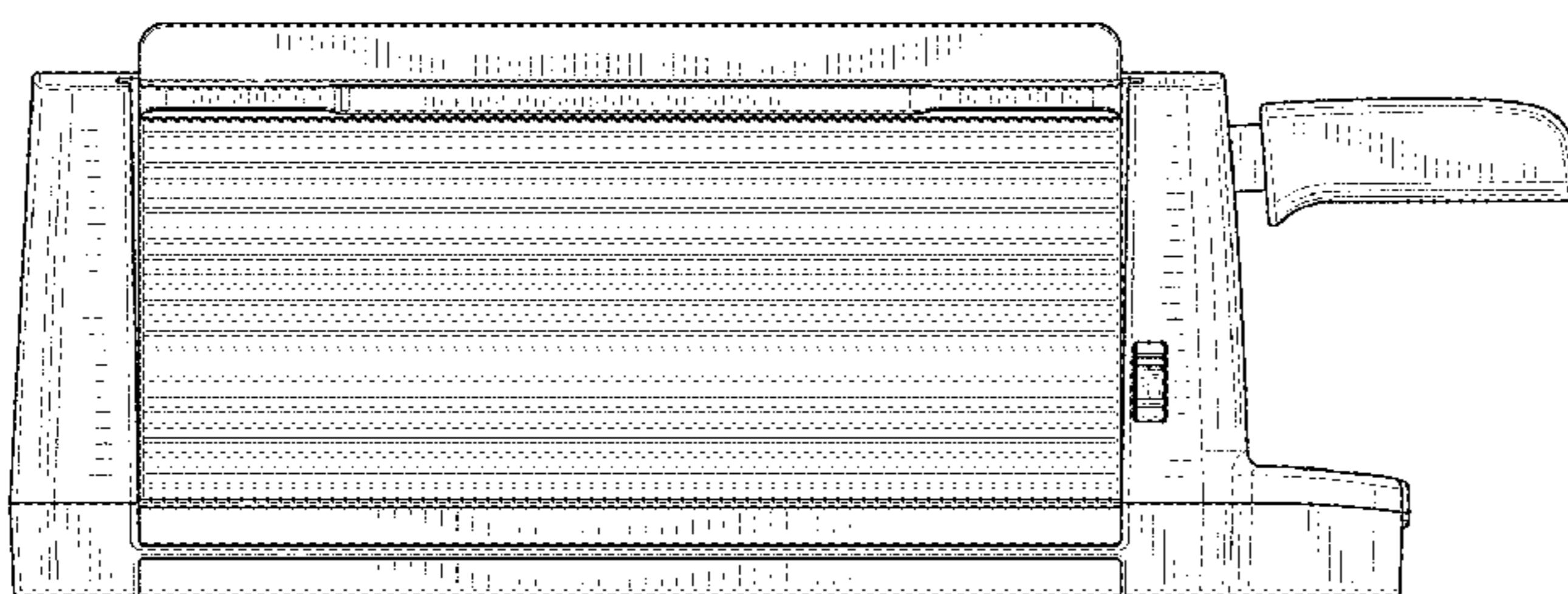
FIG. 12 is a rear elevation thereof;

FIG. 13 is a top plan view thereof; and,

FIG. 14 is a bottom plan view thereof.

The broken lines shown in the views are included for the purpose of illustrating portions of the paper cutter that form no part of the claimed design.

**1 Claim, 8 Drawing Sheets**



# US D752,133 S

Page 2

(56)

## References Cited

### U.S. PATENT DOCUMENTS

D483,398 S \* 12/2003 Mori ..... D18/34.1  
D517,596 S \* 3/2006 Suzuki ..... D18/34.1  
D529,538 S \* 10/2006 Bathard ..... D18/34.7  
D533,897 S \* 12/2006 Workman ..... D18/34.3  
D534,204 S \* 12/2006 Workman ..... D18/34.3  
D559,304 S \* 1/2008 Lam ..... D18/34.8  
D604,137 S \* 11/2009 Ebert ..... D8/51

2009/0300924 A1\* 12/2009 Corcoran ..... B26B 29/00  
30/290  
2015/0290823 A1\* 10/2015 Yasui ..... B26D 1/105  
83/613

### FOREIGN PATENT DOCUMENTS

EP 002883668 A1 \* 6/2015 ..... B26D 1/08  
JP 02013141741 A \* 7/2013 ..... B26D 1/18

\* cited by examiner

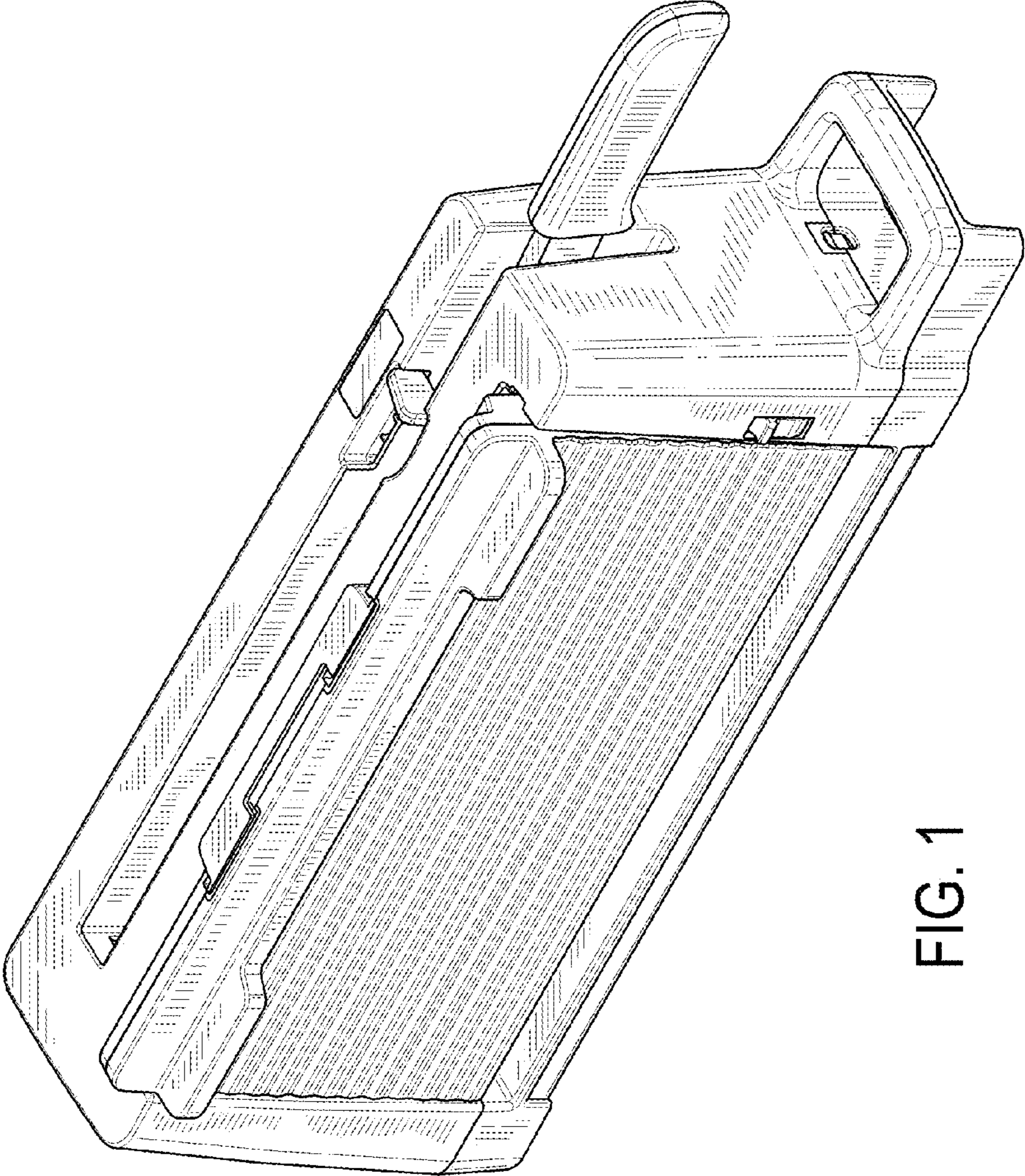


FIG. 1

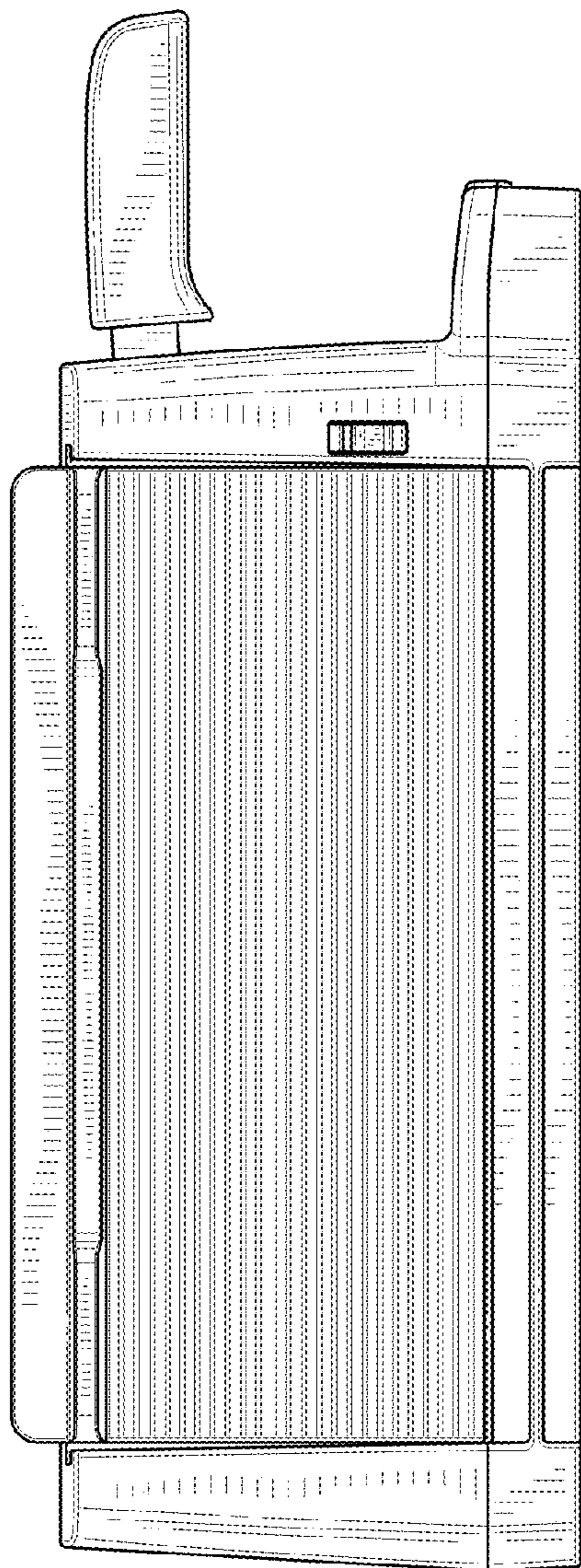


FIG. 3

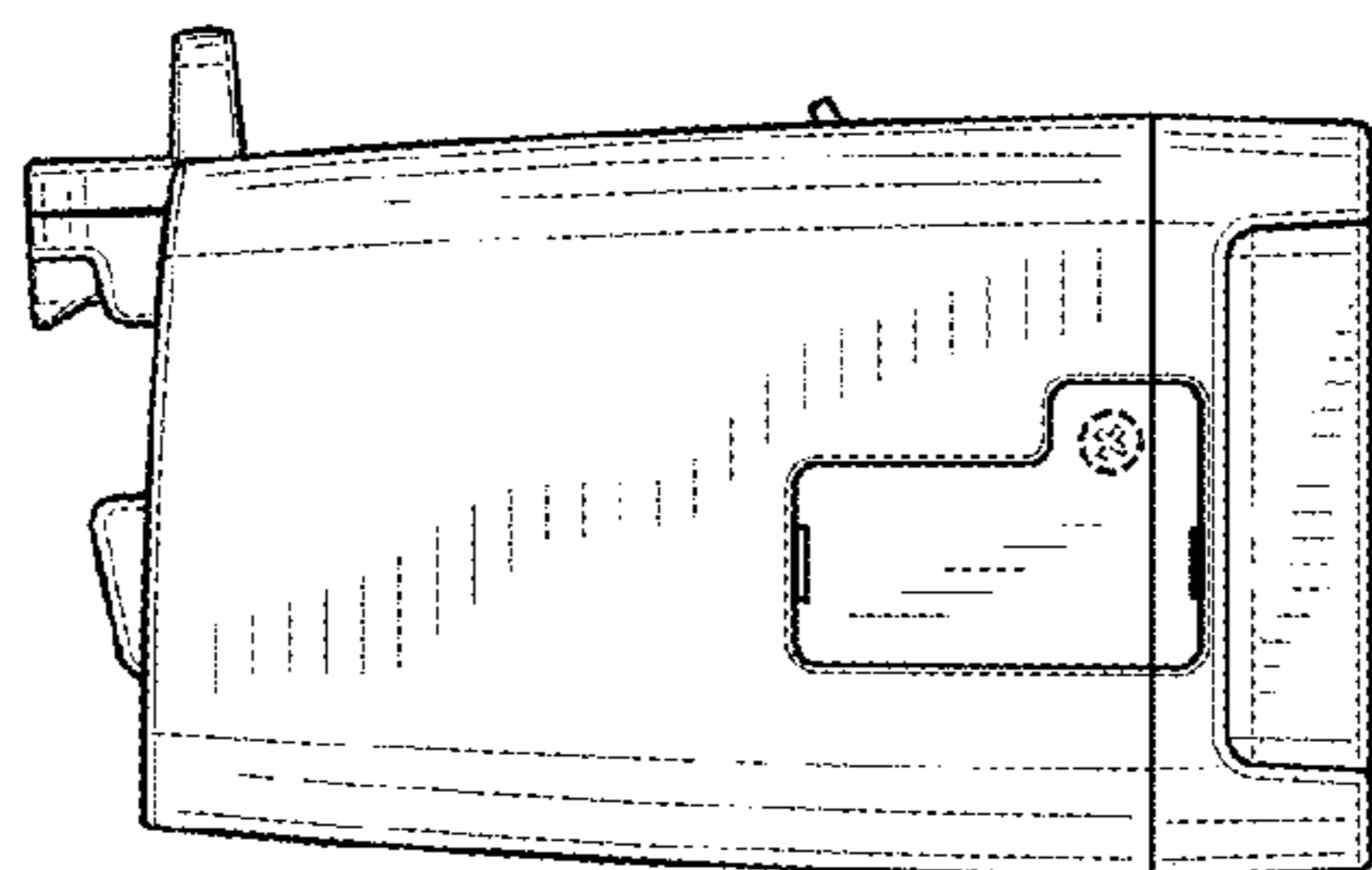


FIG. 2

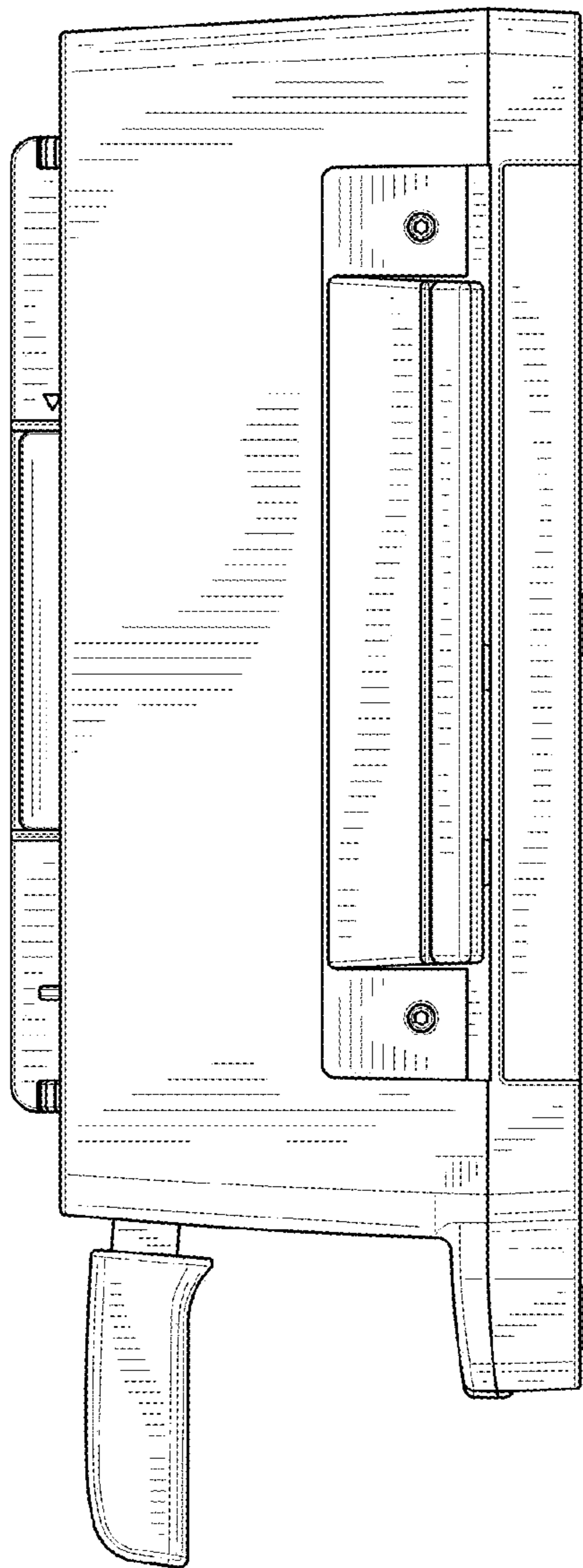


FIG. 5

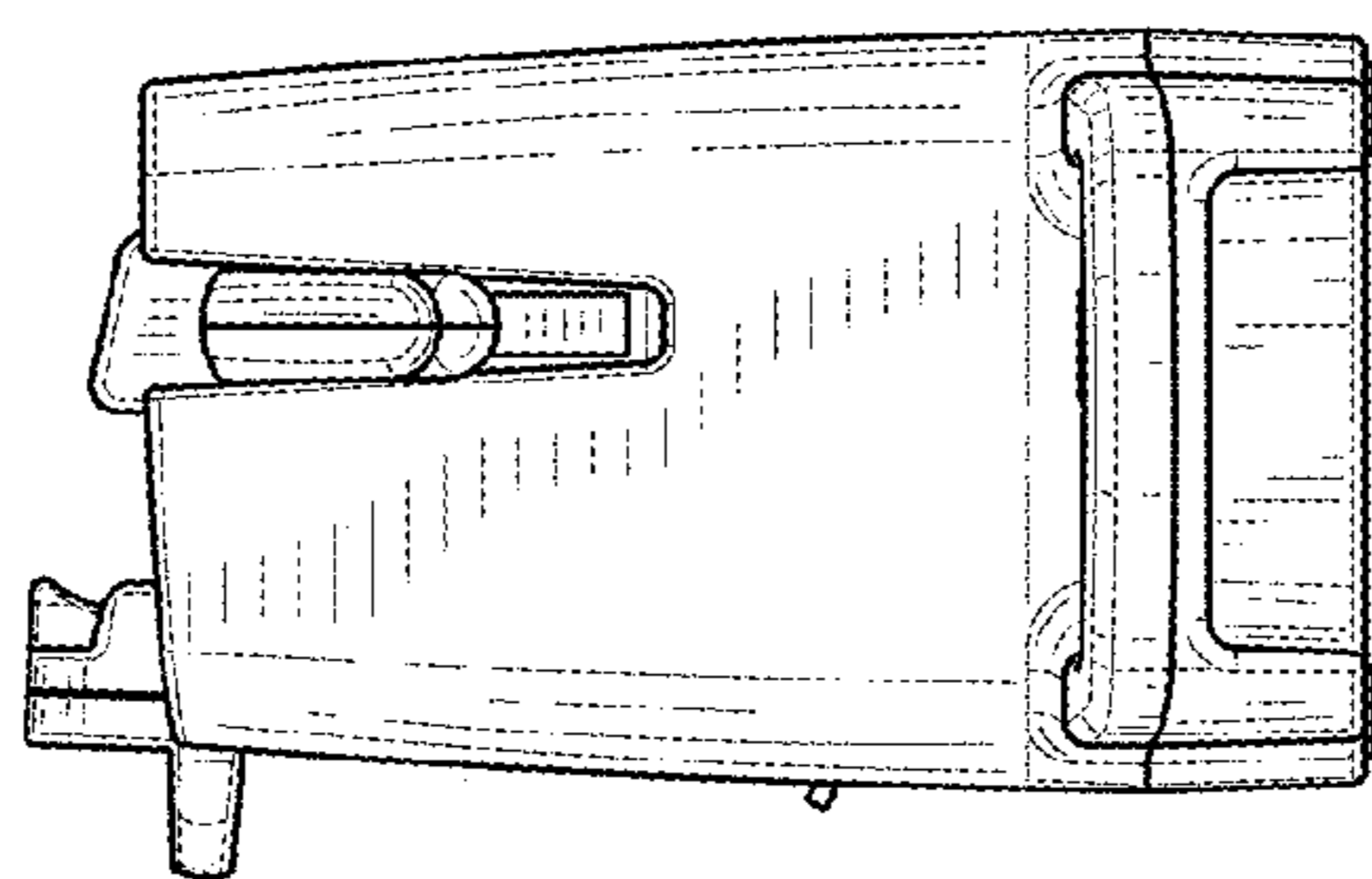


FIG. 4

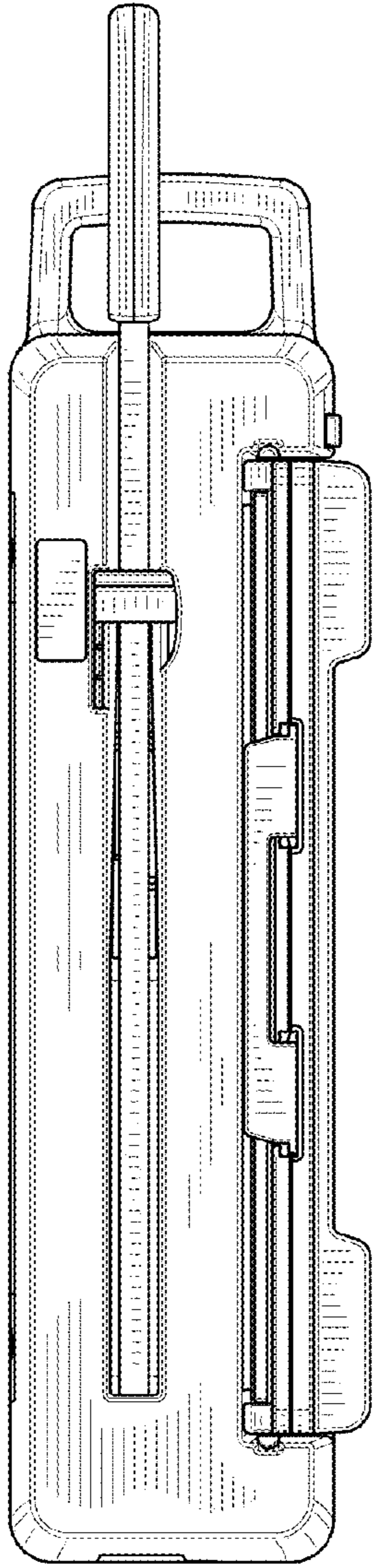


FIG. 6

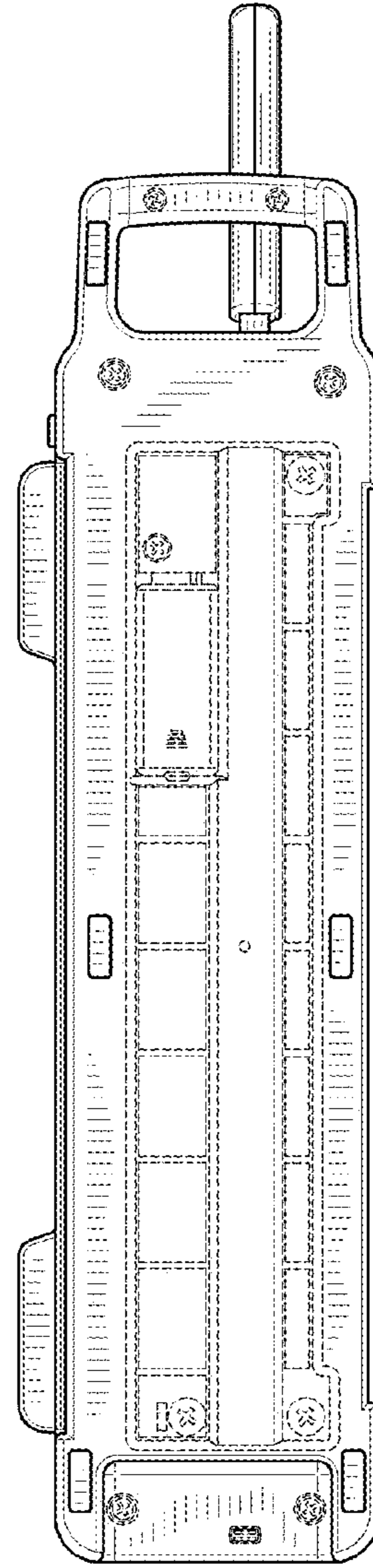


FIG. 7

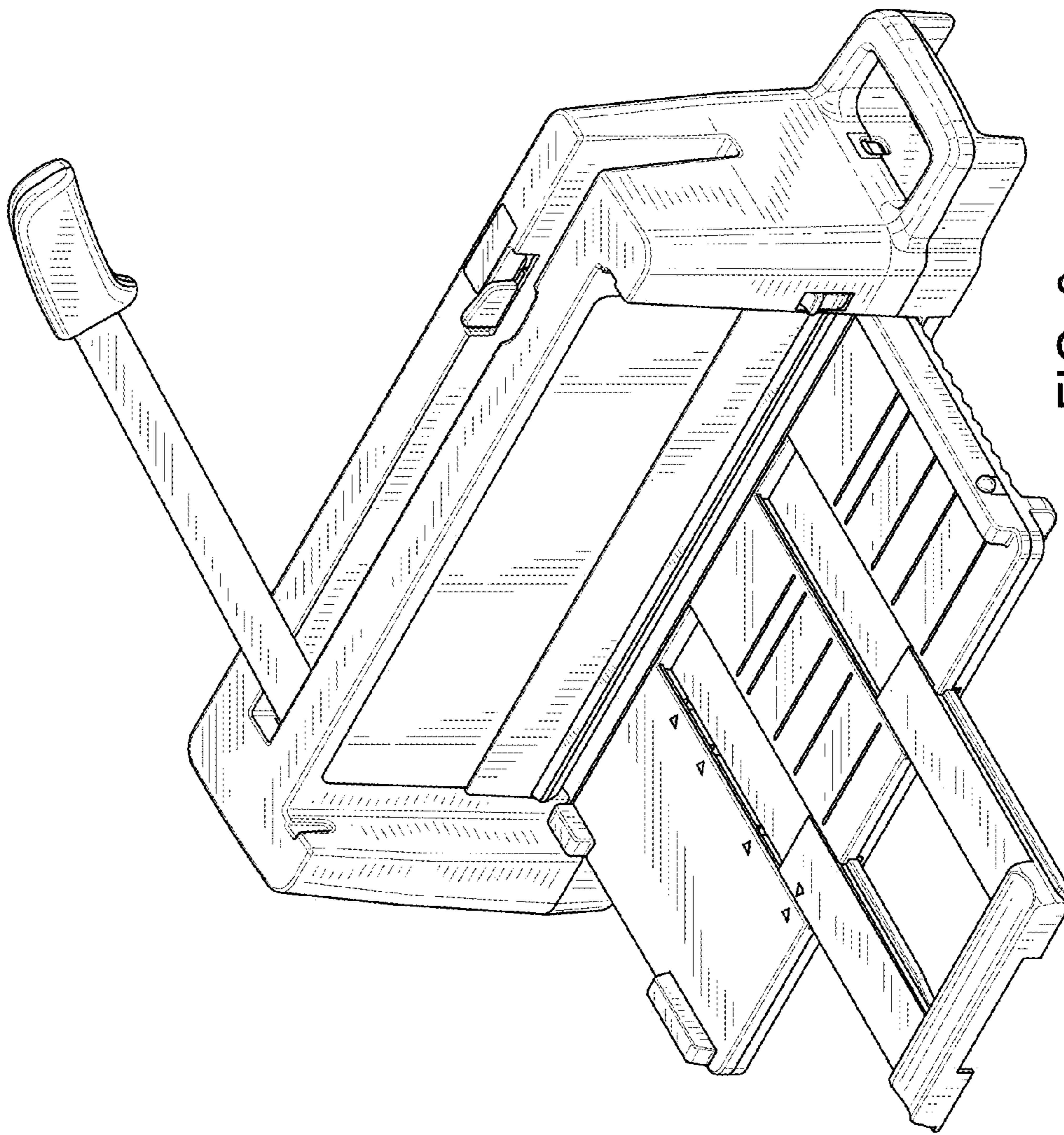


FIG. 8

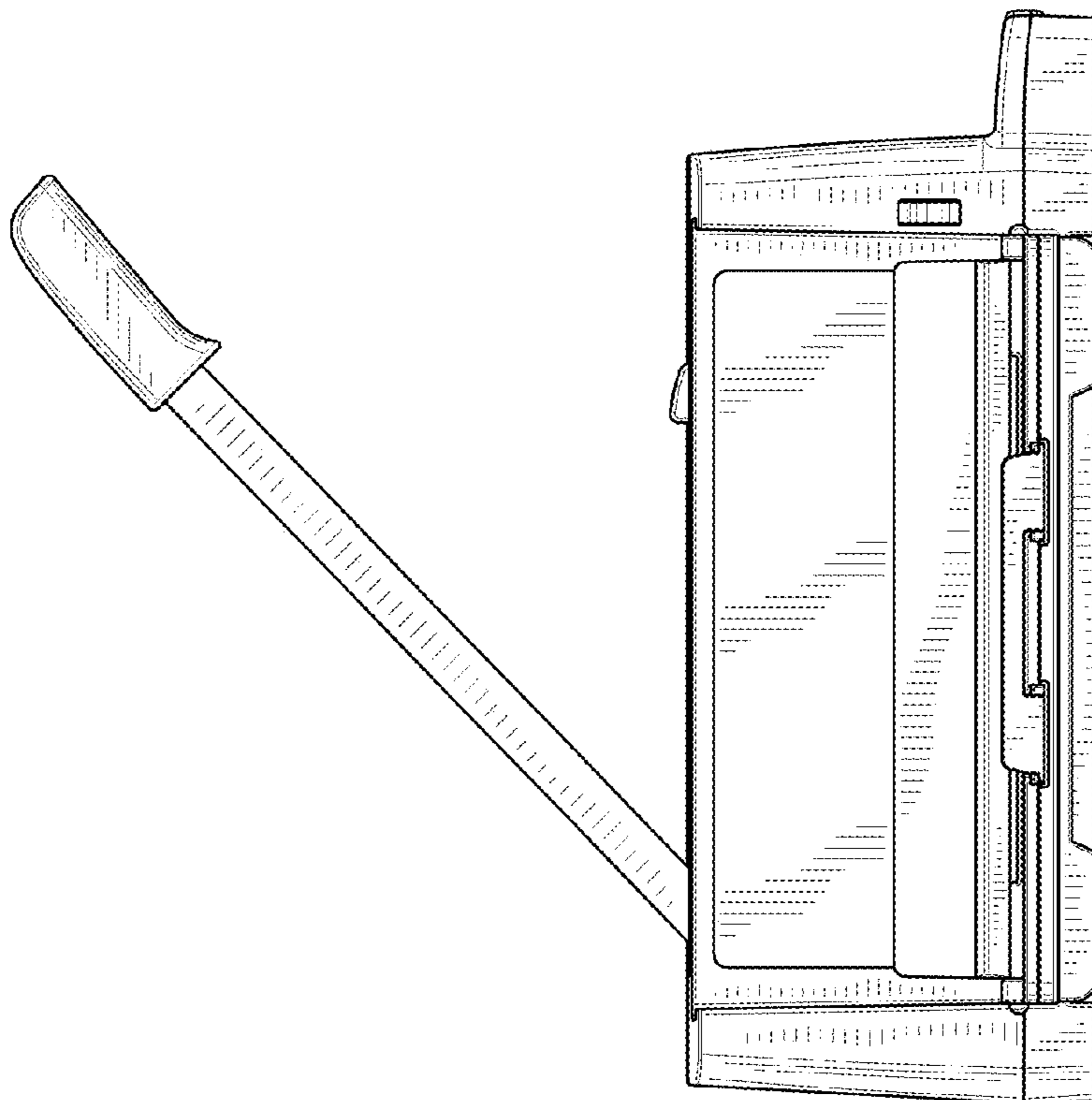


FIG. 10

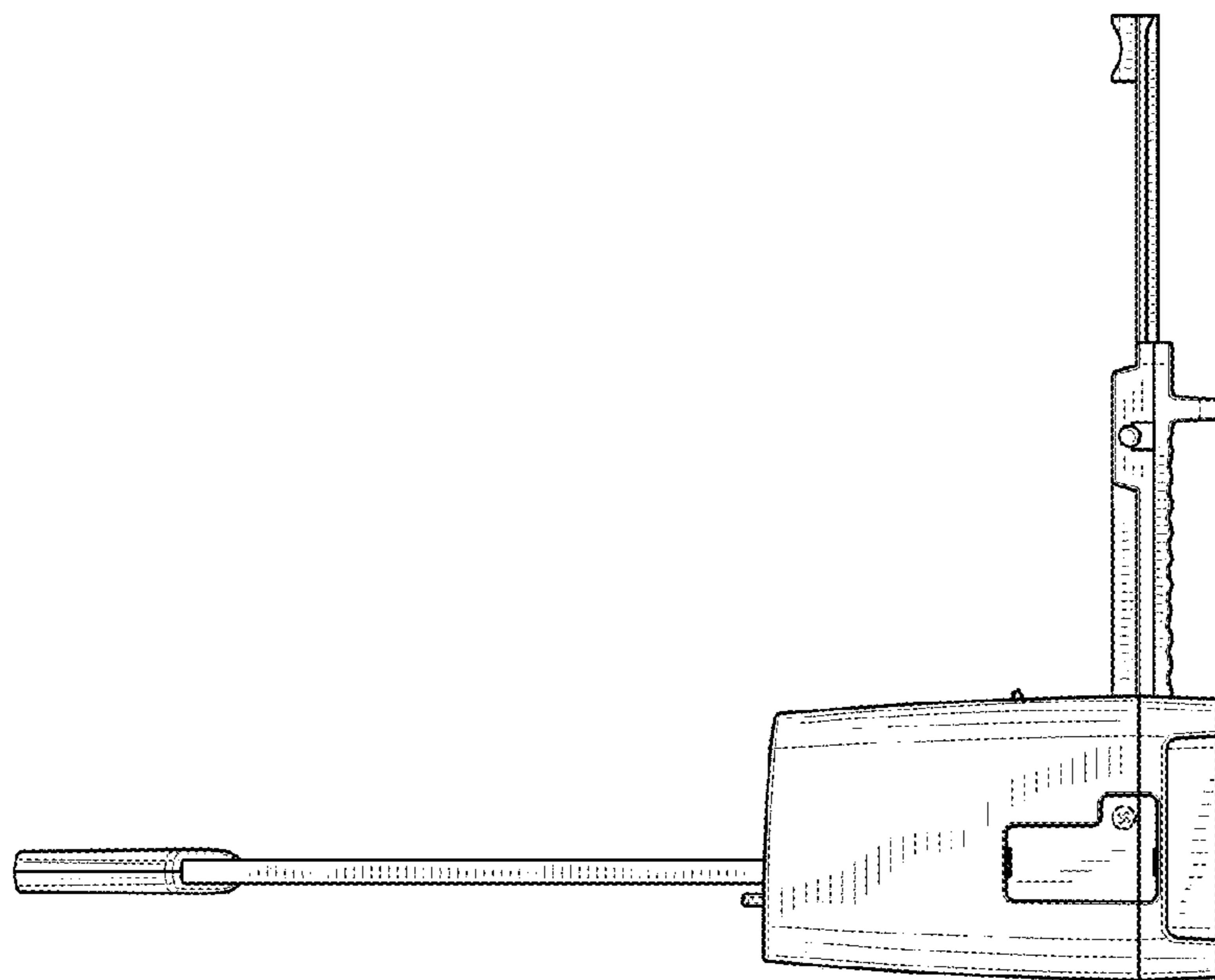


FIG. 9



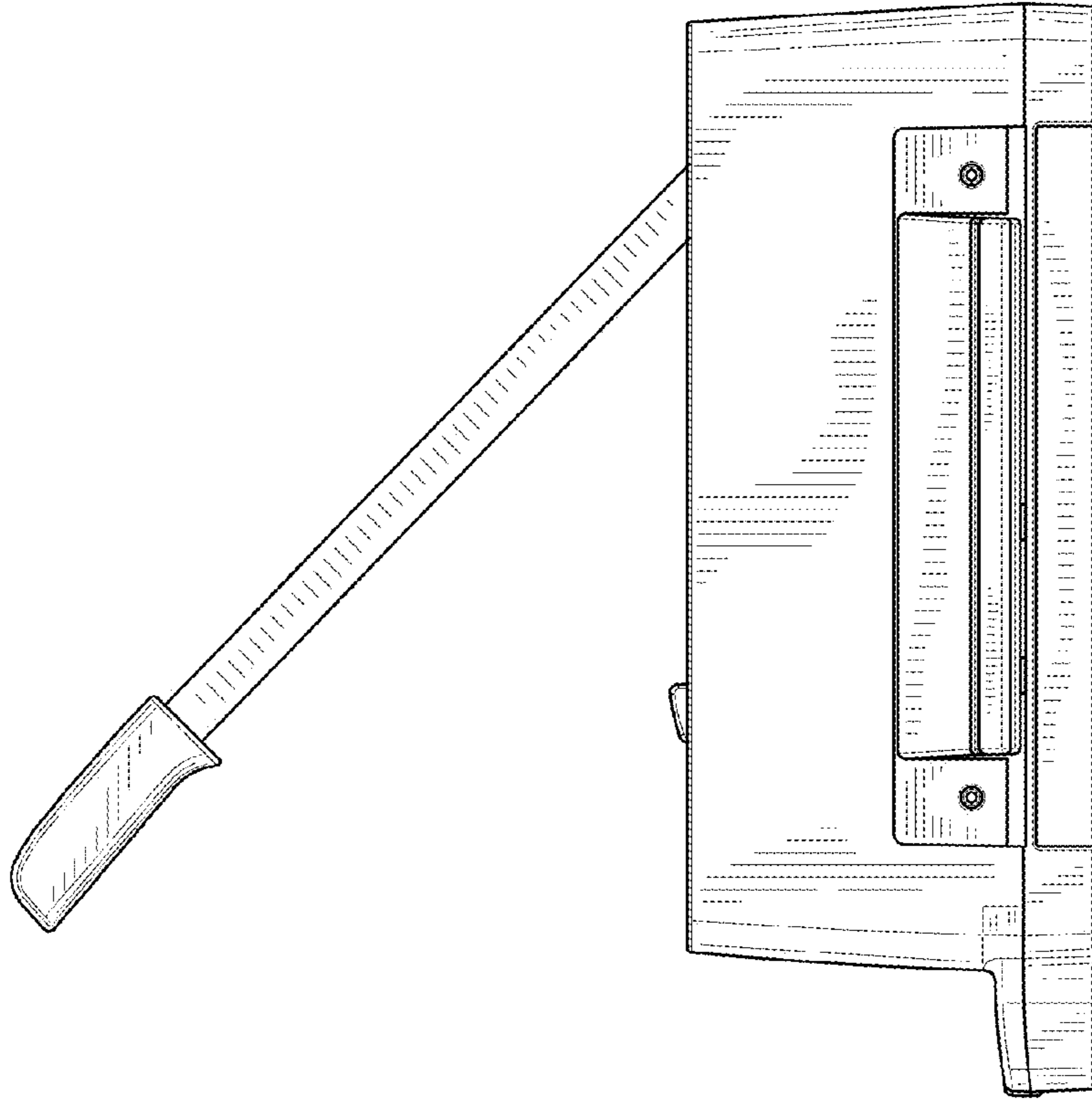


FIG. 12

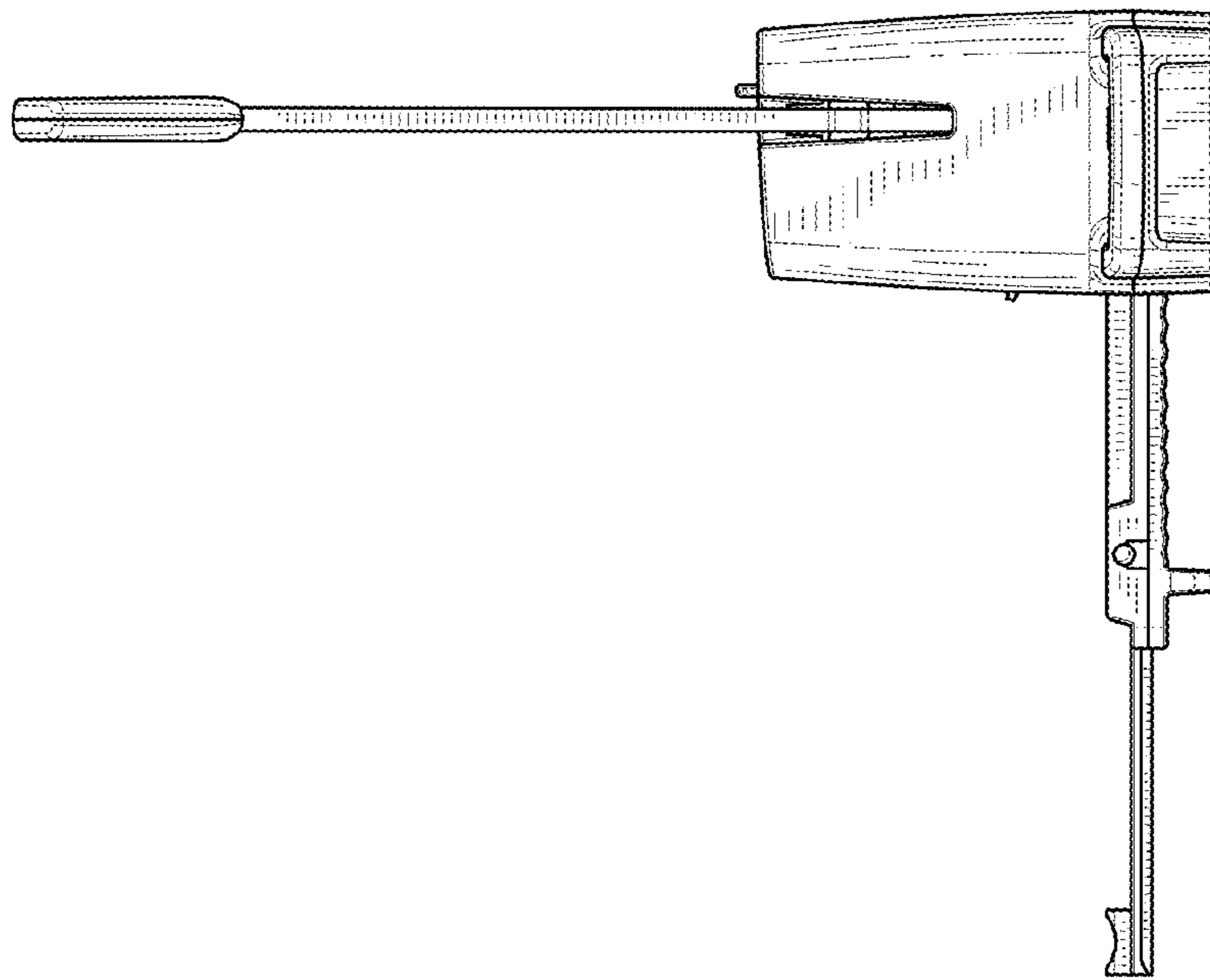


FIG. 11

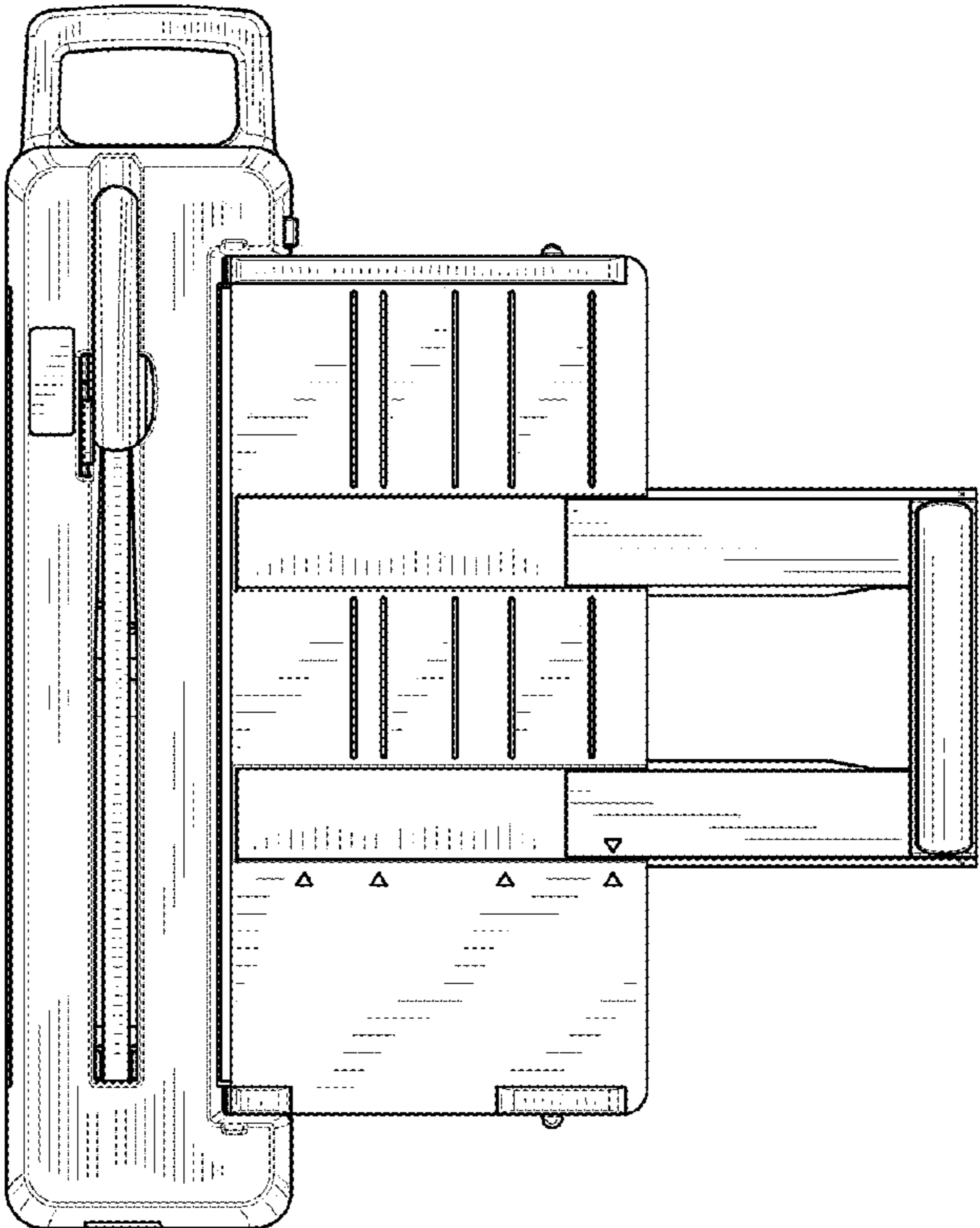


FIG. 13

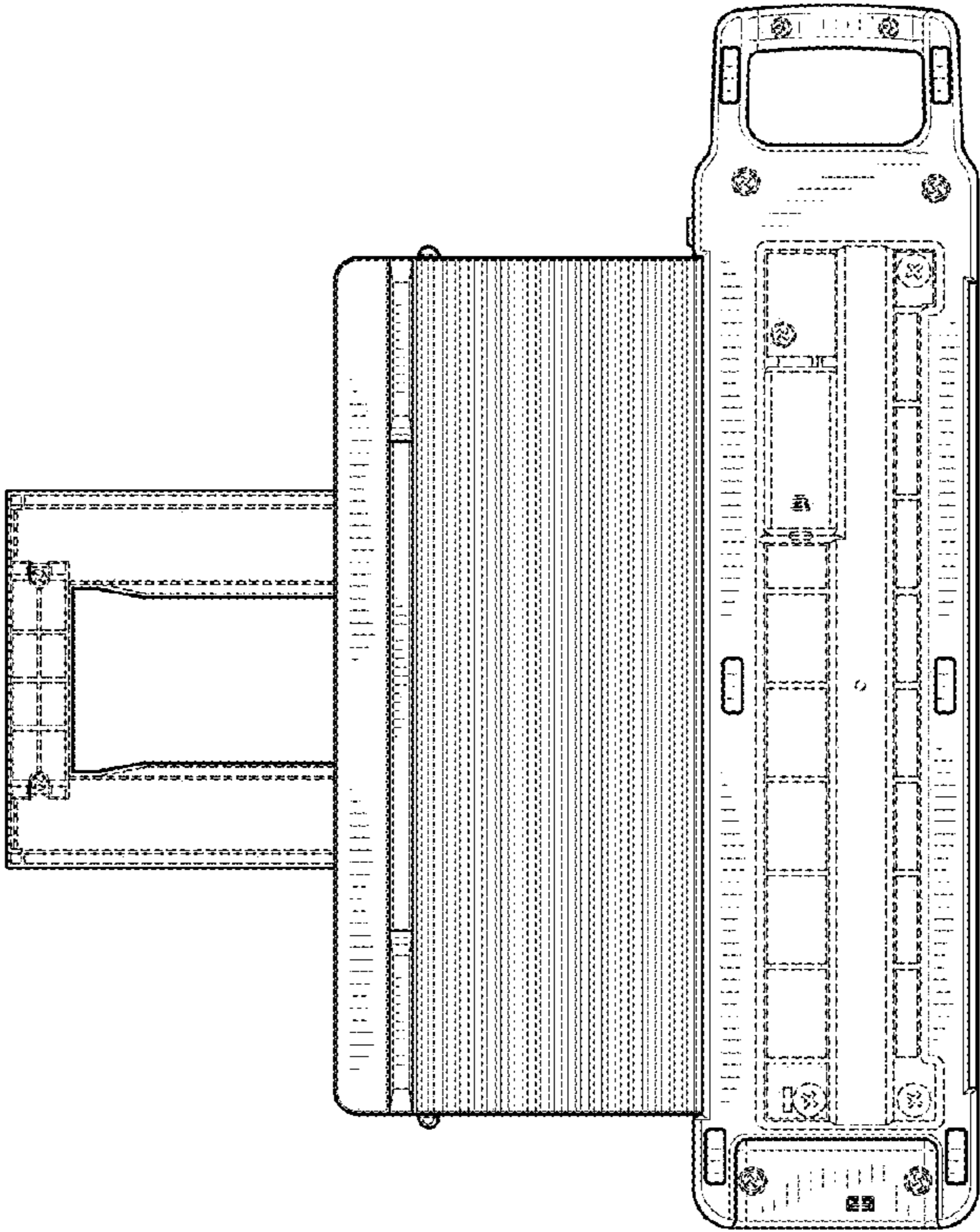


FIG. 14