



US00D752131S

(12) **United States Design Patent**
Chatterton et al.

(10) **Patent No.:** **US D752,131 S**
(45) **Date of Patent:** **** Mar. 22, 2016**

(54) **ELECTRONIC DEVICE DESIGN**

G06K 19/02; G06K 19/06; G06K 19/06028;
G06K 19/0614; G06K 19/06206; G06K
19/067

(71) Applicant: **EBAY INC.**, San Jose, CA (US)

See application file for complete search history.

(72) Inventors: **Geoffrey W. Chatterton**, Santa Clara, CA (US); **Satish Narayan Govindarajan**, Los Altos, CA (US); **Gunabalan Babu**, Fremont, CA (US); **Guhan Senguttuvan**, San Jose, CA (US); **Arthur Kenzo Debaigue**, San Francisco, CA (US); **Yves Behar**, San Francisco, CA (US); **Uris Dacosta**, San Francisco, CA (US); **Michael McKay**, San Francisco, CA (US); **Michael Voegel**, Santa Clara, CA (US)

(56) **References Cited**

U.S. PATENT DOCUMENTS

D675,618 S * 2/2013 Behar D14/385
D686,208 S * 7/2013 Miller D14/385
8,500,010 B1 * 8/2013 Marcus G06K 7/089
235/380
D725,655 S * 3/2015 Debaigue D14/385
D728,568 S * 5/2015 Debaigue D14/385
D740,287 S * 10/2015 Peschel D14/385

* cited by examiner

Primary Examiner — Daniel Bui

Assistant Examiner — Khawaja Anwar

(74) *Attorney, Agent, or Firm* — Haynes and Boone, LLP

(73) Assignee: **PAYPAL, INC.**, San Jose, CA (US)

(**) Term: **14 Years**

(21) Appl. No.: **29/499,883**

(22) Filed: **Aug. 19, 2014**

(51) **LOC (10) Cl.** **18-01**

(52) **U.S. Cl.**

USPC **D18/4.6; D14/385**

(58) **Field of Classification Search**

USPC D18/4.4, 4.5, 4.6, 12, 12.1, 12.3;
D14/383, 384, 385, 386, 378

CPC G06K 19/07749; G06K 19/0723;
G06K 19/041; G06K 19/07758; G06K
19/0775; G06K 19/07783; G06K 19/07794;
G06K 19/06046; G06K 19/07722; G06K
19/07773; G06K 19/07779; G06K 19/07784;
G06K 19/07786; G06K 19/0709; G06K
7/10178; G06K 7/10336; G06K 7/1096;
G06K 13/067; G06K 13/16; G06K 17/00;
G06K 17/006; G06K 17/0022; G06K 17/0025;

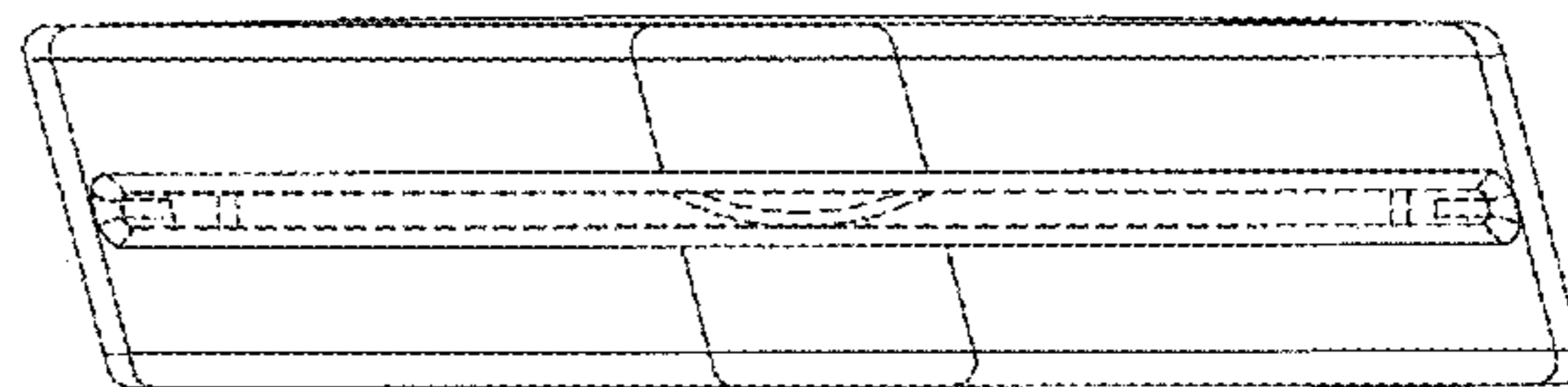
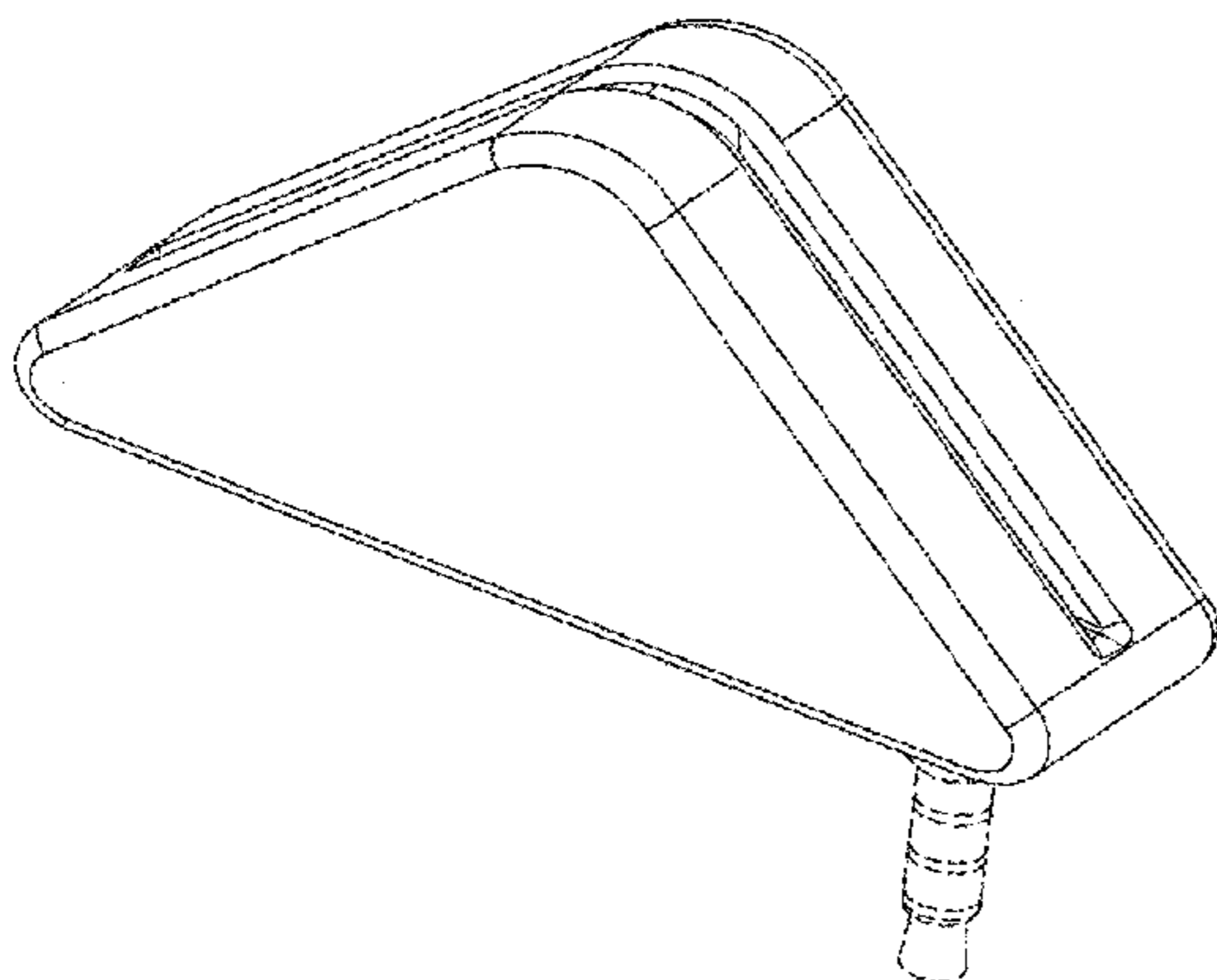
(57) **CLAIM**

The ornamental design for an electronic device design, as shown and described.

DESCRIPTION

FIG. 1 is a perspective front view of an electronic device design showing our new design;
FIG. 2 is a perspective back view thereof;
FIG. 3 is a front elevation view thereof;
FIG. 4 is a back elevation view thereof;
FIG. 5 is a side elevation view thereof;
FIG. 6 is another side elevation view thereof;
FIG. 7 is a top plan view thereof; and,
FIG. 8 is a bottom plan view thereof.
In the drawings, the broken lines depict environmental subject matter only and form no part of the claimed design.

1 Claim, 4 Drawing Sheets



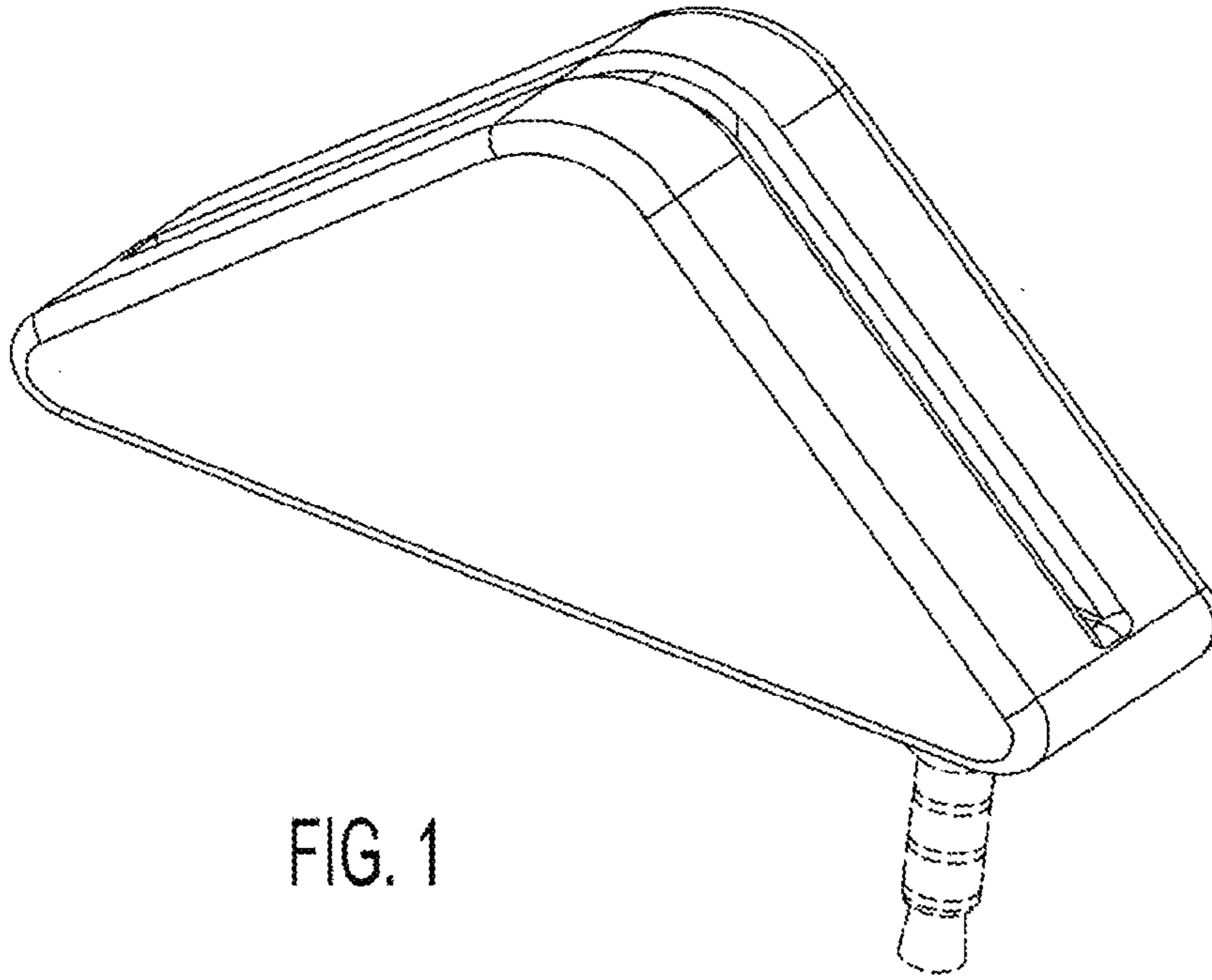


FIG. 1

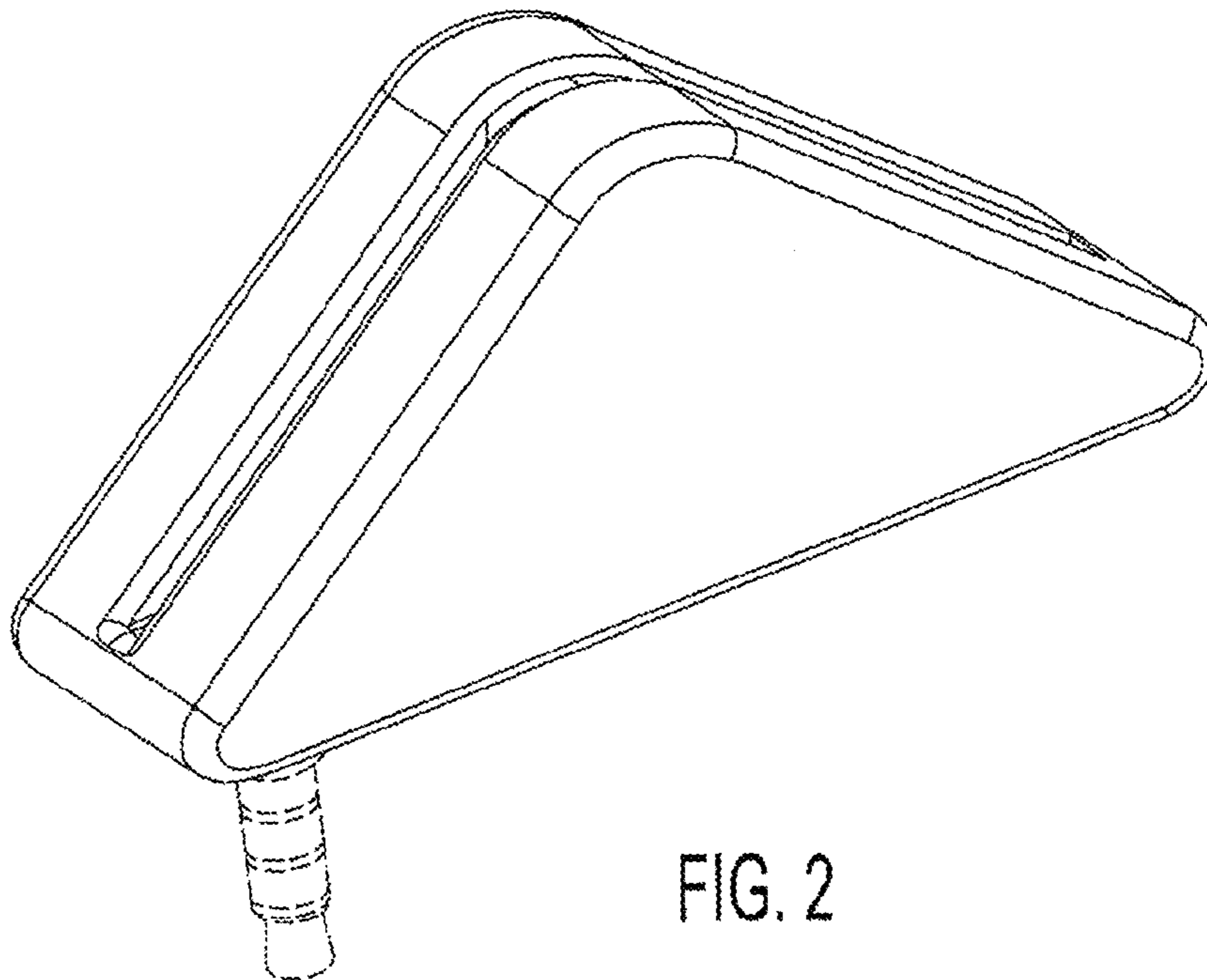


FIG. 2

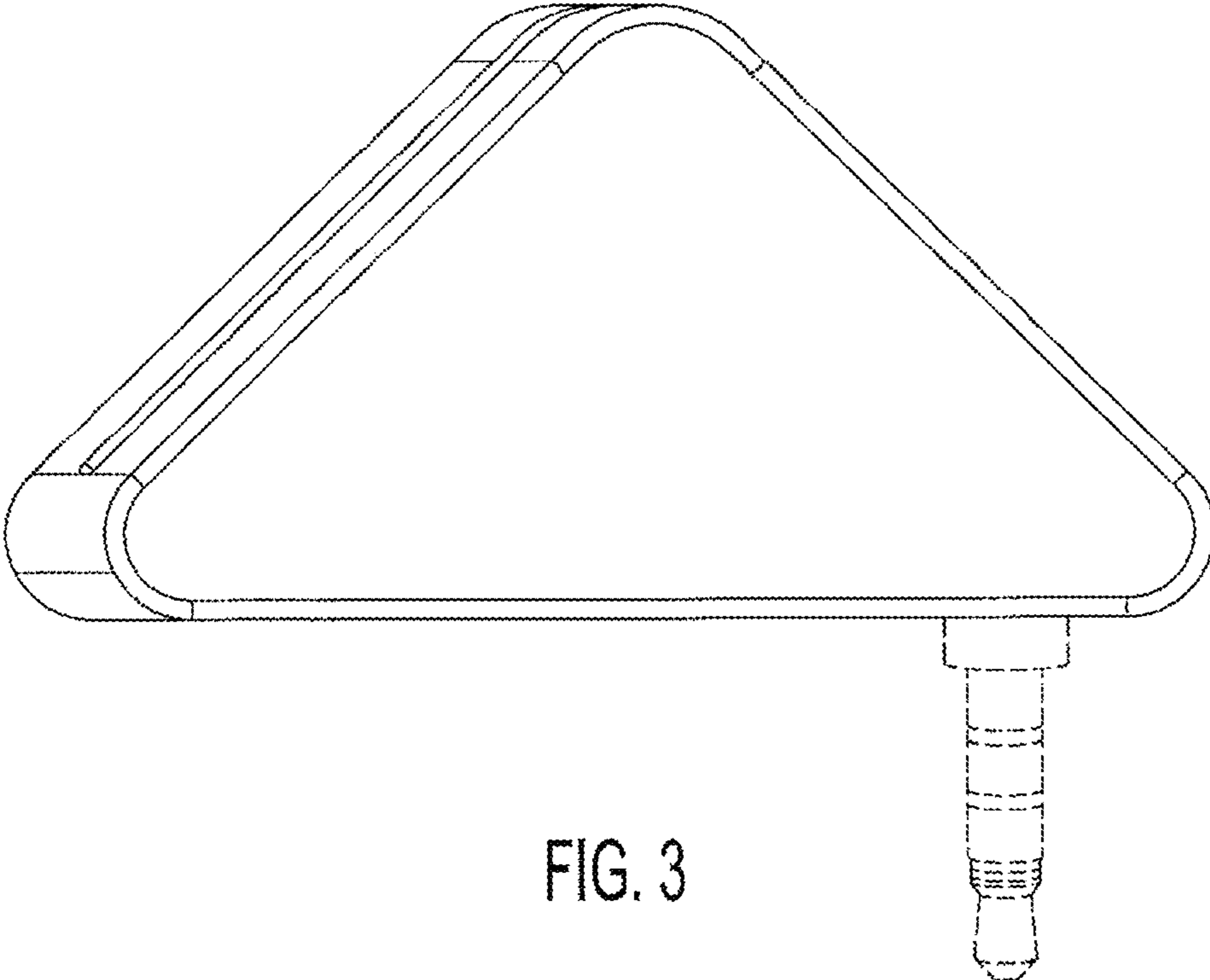


FIG. 3

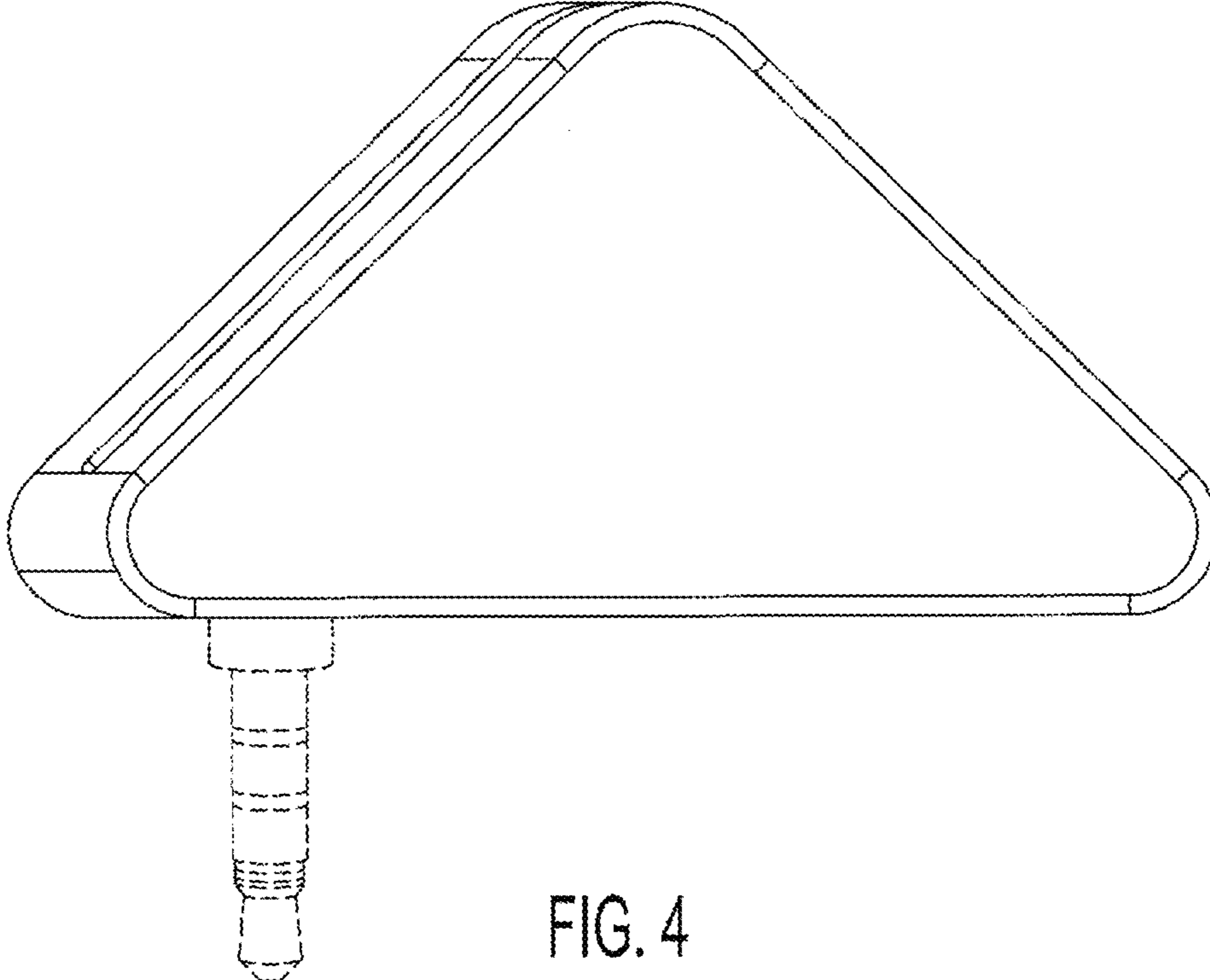


FIG. 4

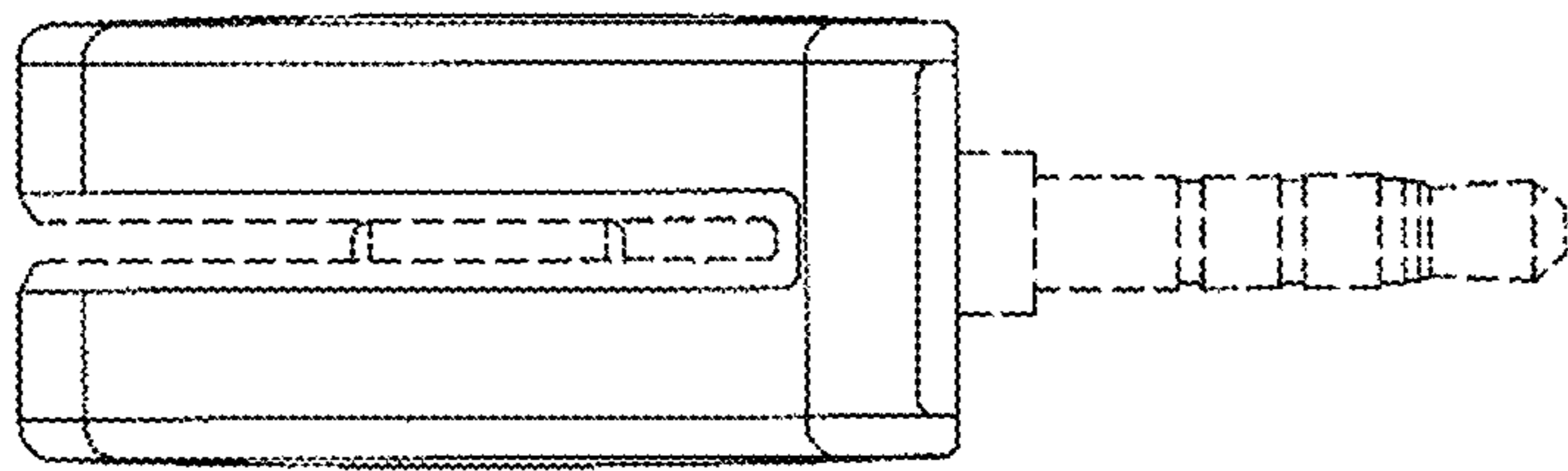


FIG. 6

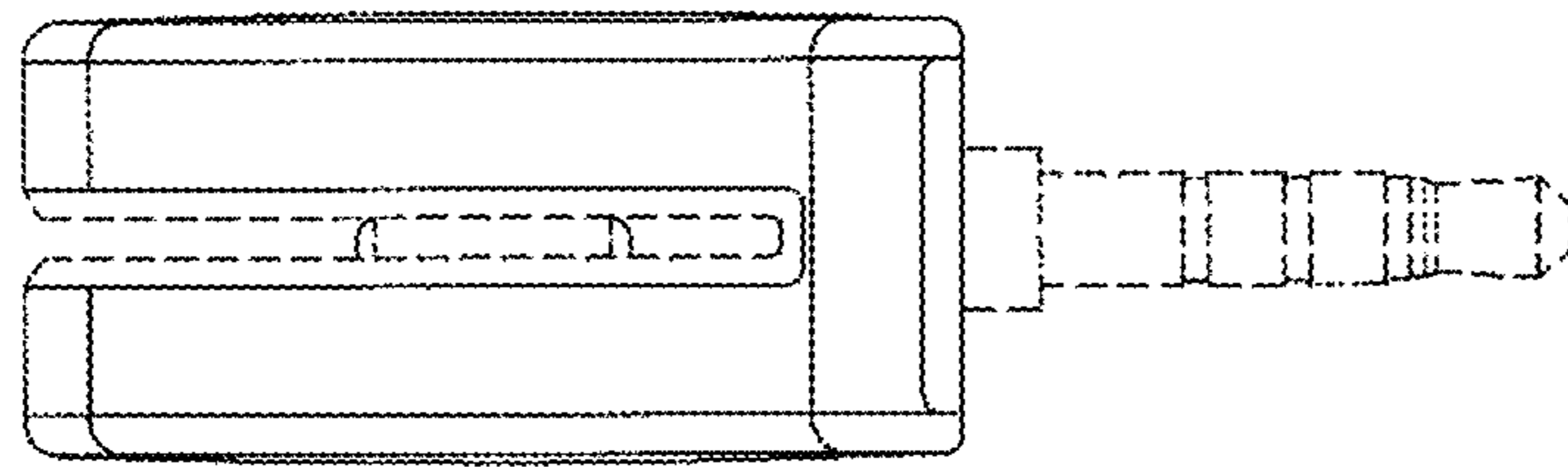


FIG. 5

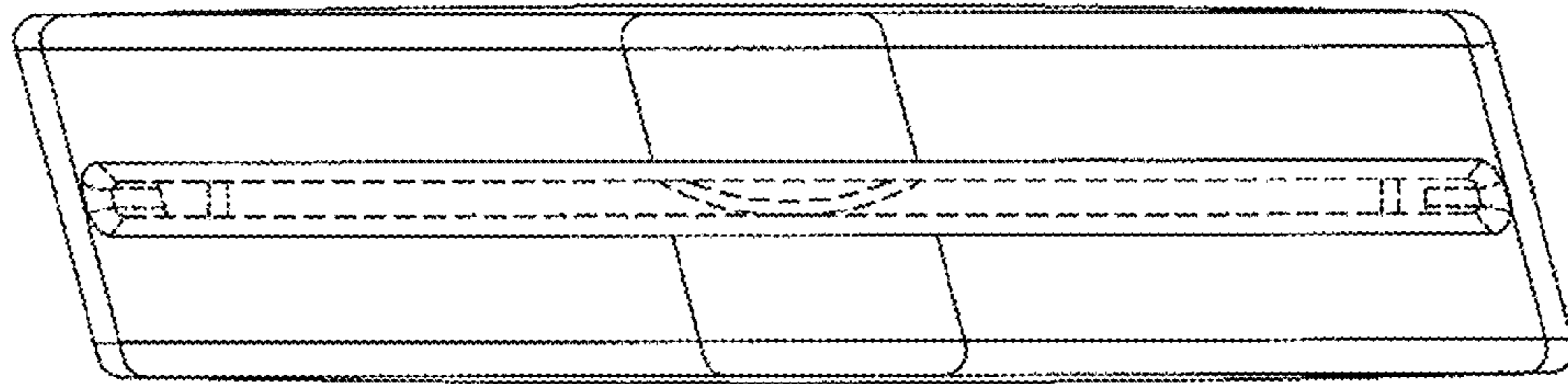


FIG. 7

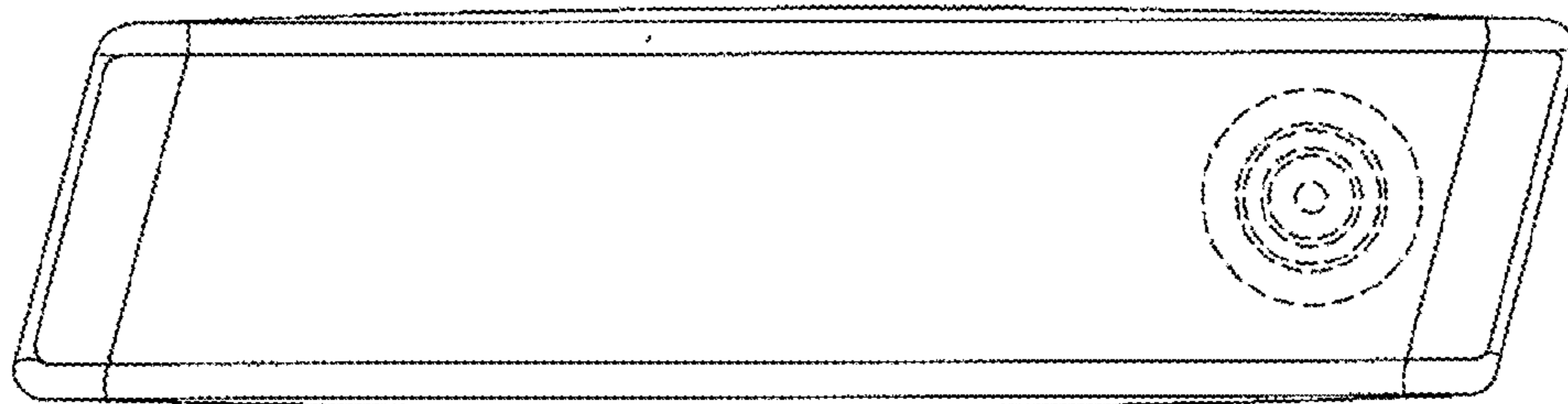


FIG. 8