



US00D752130S

(12) **United States Design Patent**  
**Alstad et al.**

(10) **Patent No.:** **US D752,130 S**  
(45) **Date of Patent:** **\*\* Mar. 22, 2016**

(54) **EFFECTS PEDAL**

(71) Applicant: **Aalberg Audio AS**, Trondheim (NO)

(72) Inventors: **Rune Aalberg Alstad**, Trondheim (NO);  
**Aleksander Torstensen**, Stavanger (NO);  
**André Jonvik**, Odda (NO);  
**Torkild Indstøy**, Trondheim (NO)

(73) Assignee: **Aalberg Audio AS**, Trondheim (NO)

(\*\*) Term: **14 Years**

(21) Appl. No.: **29/477,493**

(22) Filed: **Dec. 23, 2013**

(30) **Foreign Application Priority Data**

Jul. 5, 2013 (NO) ..... 20130719

(51) **LOC (10) Cl.** ..... **17-03**

(52) **U.S. Cl.**  
USPC ..... **D17/20**

(58) **Field of Classification Search**  
USPC ..... D14/217, 218, 265, 188, 192; D17/4, 9,  
D17/19, 20, 24, 99  
CPC ..... G10H 1/348; G10H 1/34; G10H 1/02;  
G10H 3/186; G10H 7/008; G11B 15/02  
See application file for complete search history.

(56) **References Cited**

**U.S. PATENT DOCUMENTS**

5,981,862 A \* 11/1999 Geier, Jr. .... 84/746  
D561,241 S \* 2/2008 Ridinger ..... D17/99  
D604,760 S \* 11/2009 Small ..... D17/20

D682,346 S \* 5/2013 Bogdan et al. .... D17/20  
D685,021 S \* 6/2013 Ridinger ..... D17/20  
2014/0205113 A1\* 7/2014 Slipp et al. .... 381/119

**OTHER PUBLICATIONS**

Aalberg Audio announces remote controlled delay pedal, image post date Aug. 22, 2014, site visited Apr. 15, 2015 (online), <<http://tonereport.com/news/aalberg-audio-announces-remote-controlled-delay-pedal-ekko>>.\*

\* cited by examiner

*Primary Examiner* — Sheryl Lane

*Assistant Examiner* — Ieisha Price

(74) *Attorney, Agent, or Firm* — Abelman, Frayne & Schwab

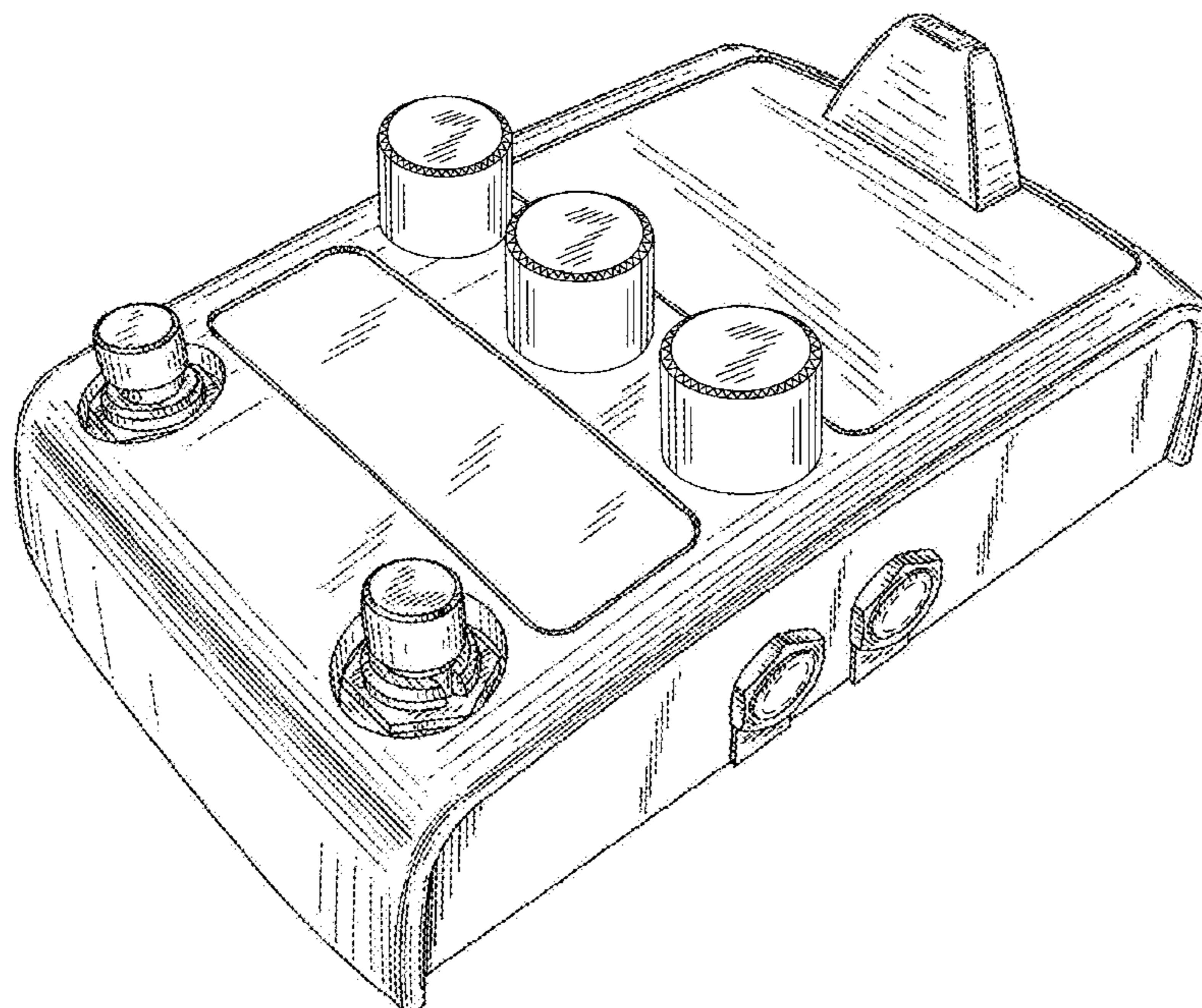
(57) **CLAIM**

The ornamental design for an effects pedal, as shown and described.

**DESCRIPTION**

FIG. 1 is a top, front and right side perspective view of an effects pedal showing my new design;  
FIG. 2 is a top plan view thereof;  
FIG. 3 is a front elevation view thereof;  
FIG. 4 is a left side elevation view thereof, with the right side elevation view being a mirror image thereof;  
FIG. 5 is a rear elevation view thereof; and,  
FIG. 6 is a bottom plan view thereof.  
The broken lines in the drawings illustrate portions of the effects pedal and form no part of the claimed design.

**1 Claim, 6 Drawing Sheets**



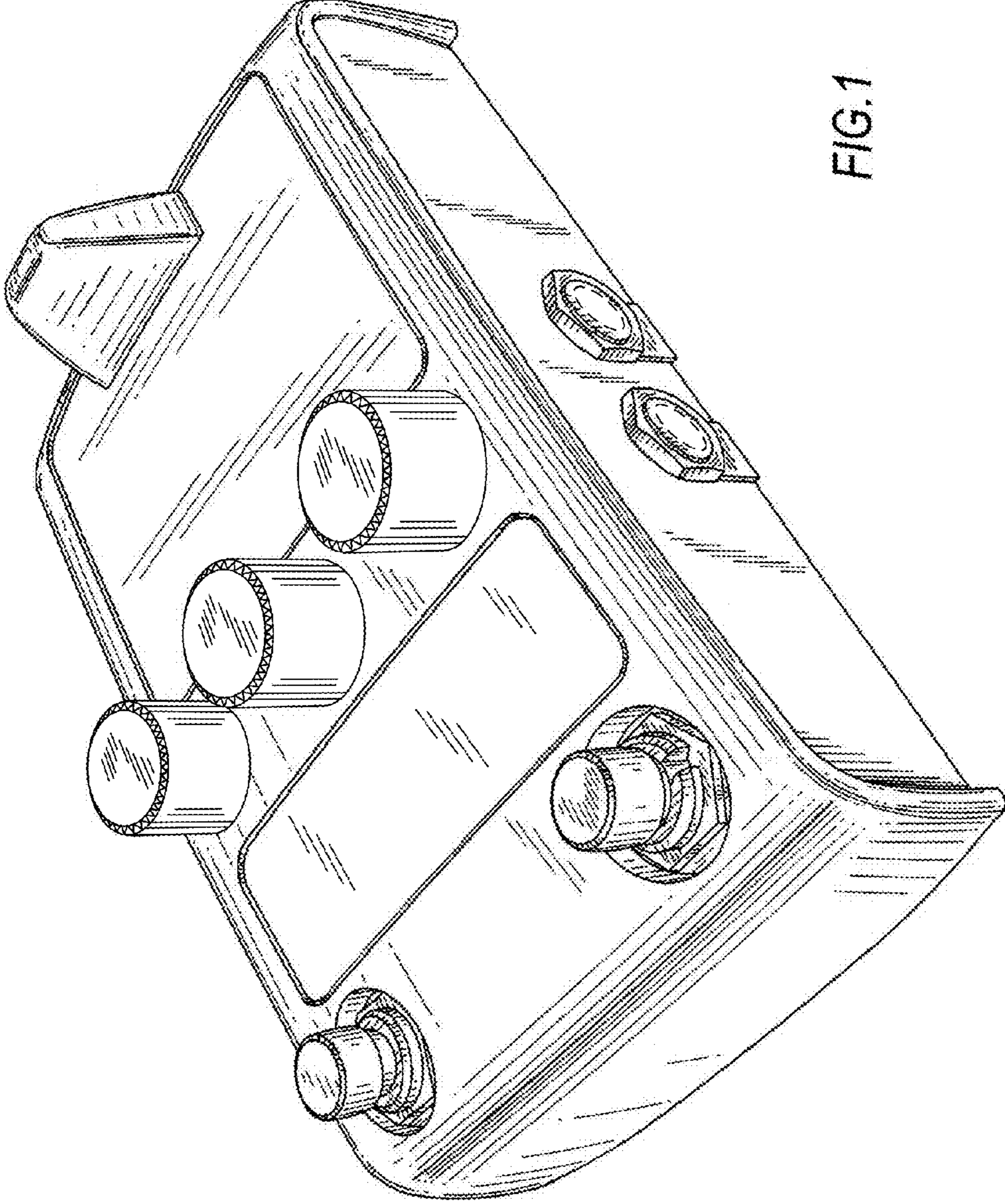


FIG. 1



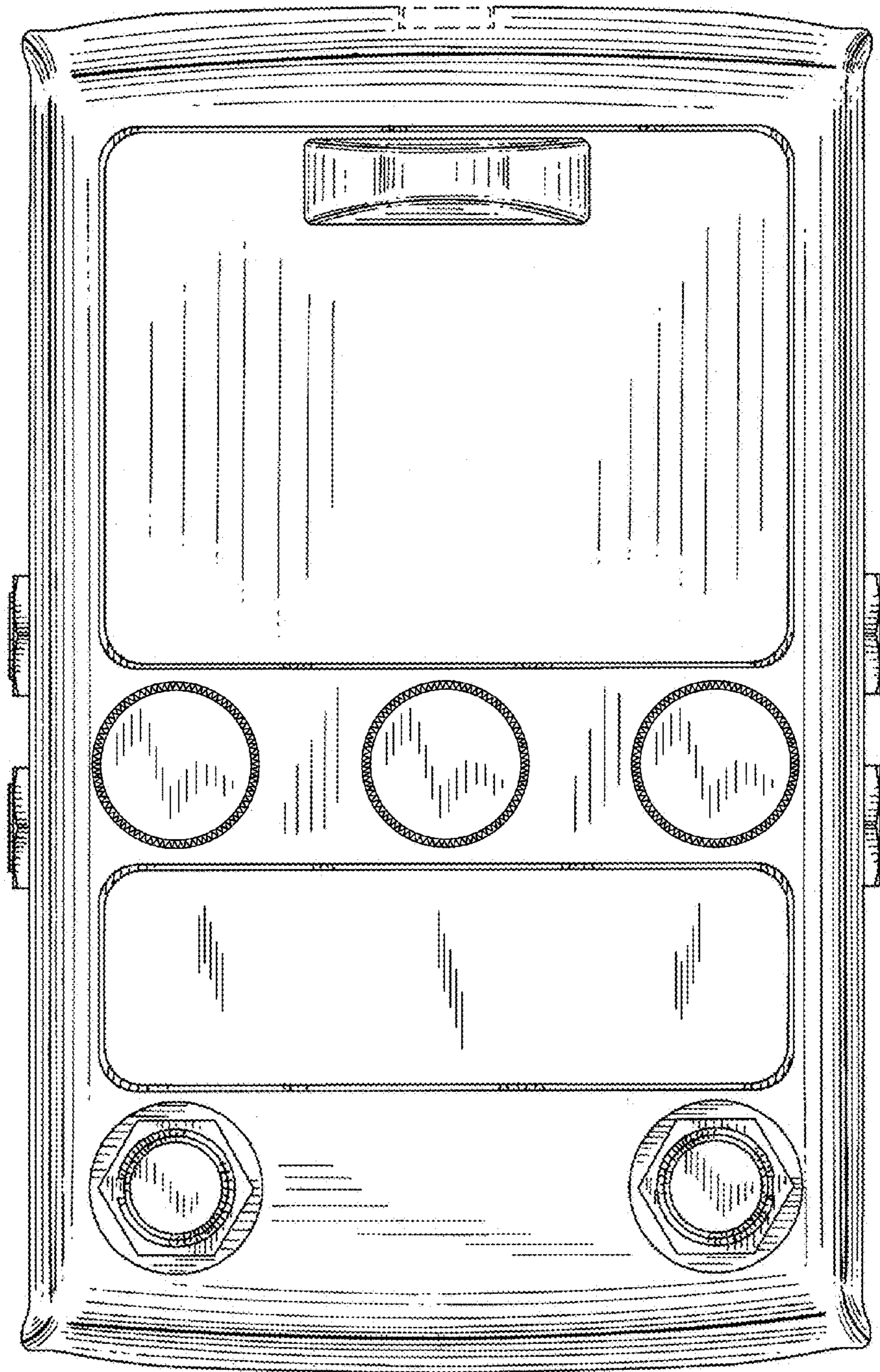


FIG.2

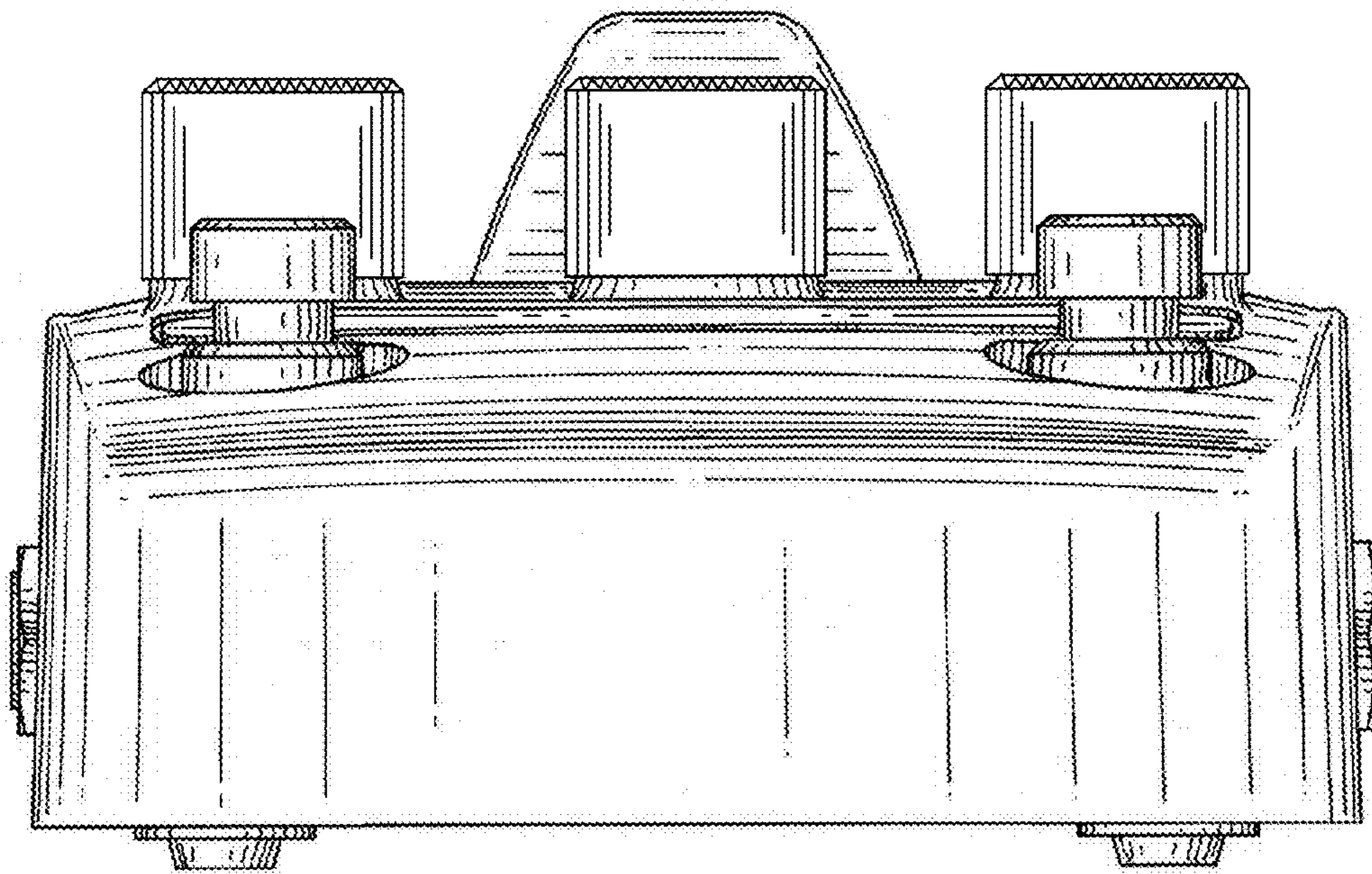


FIG.3



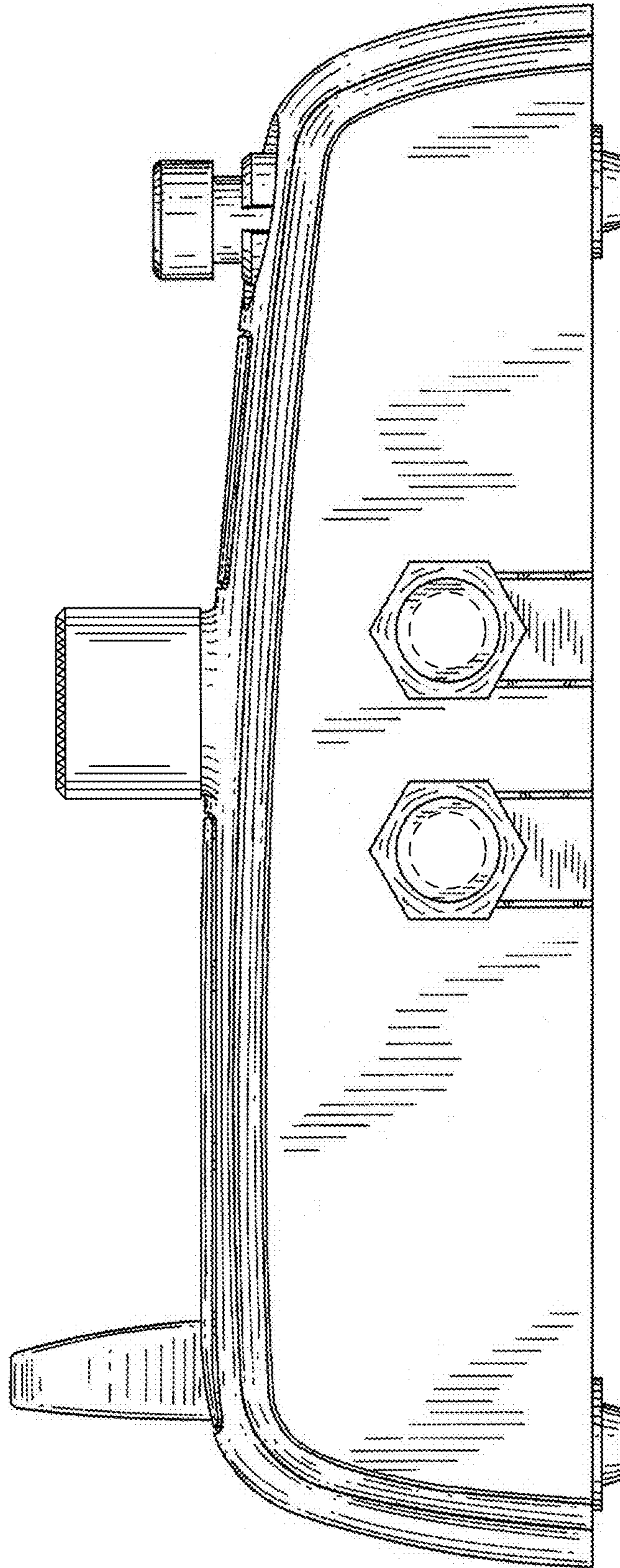


FIG.4

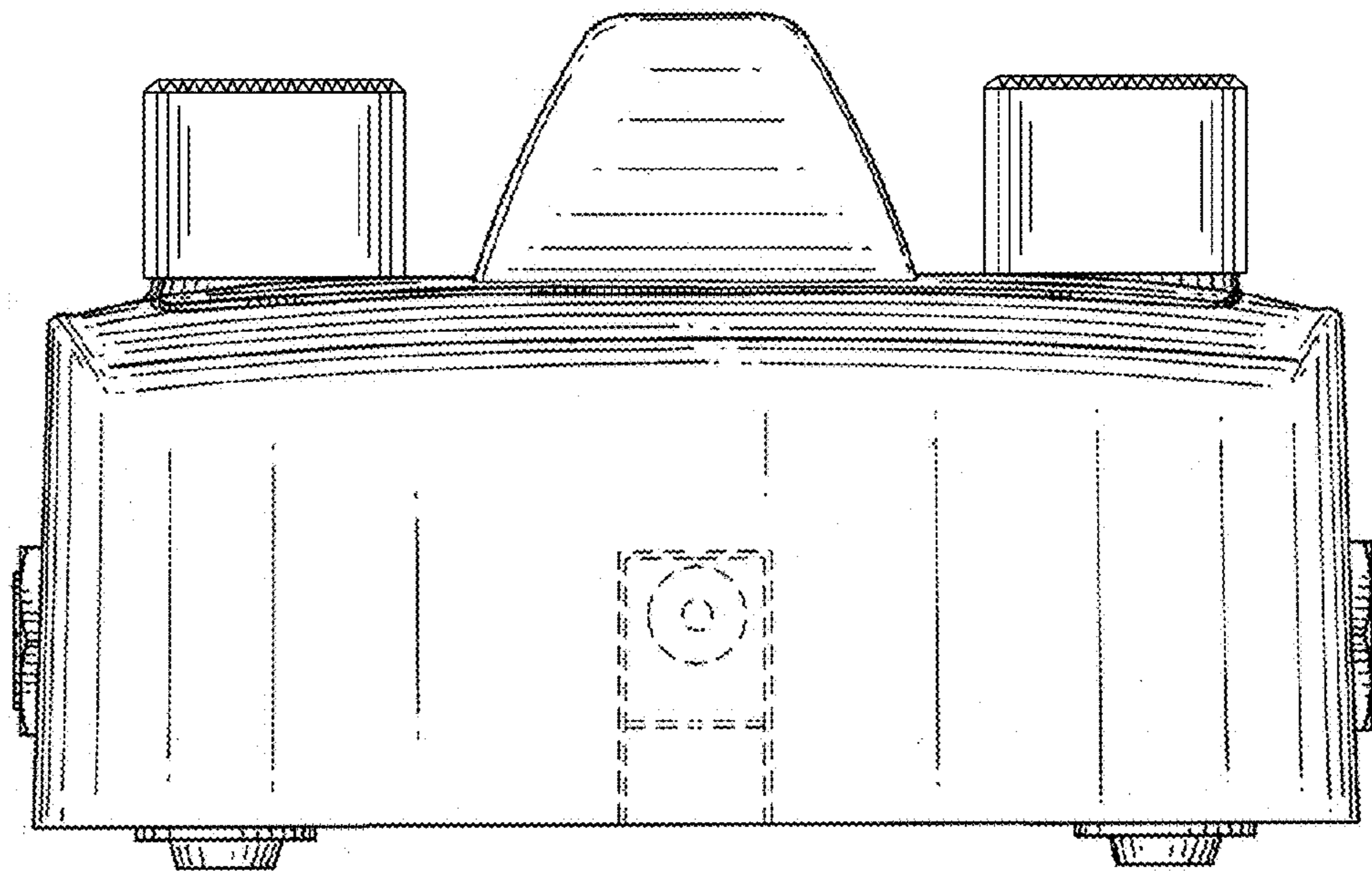


FIG.5

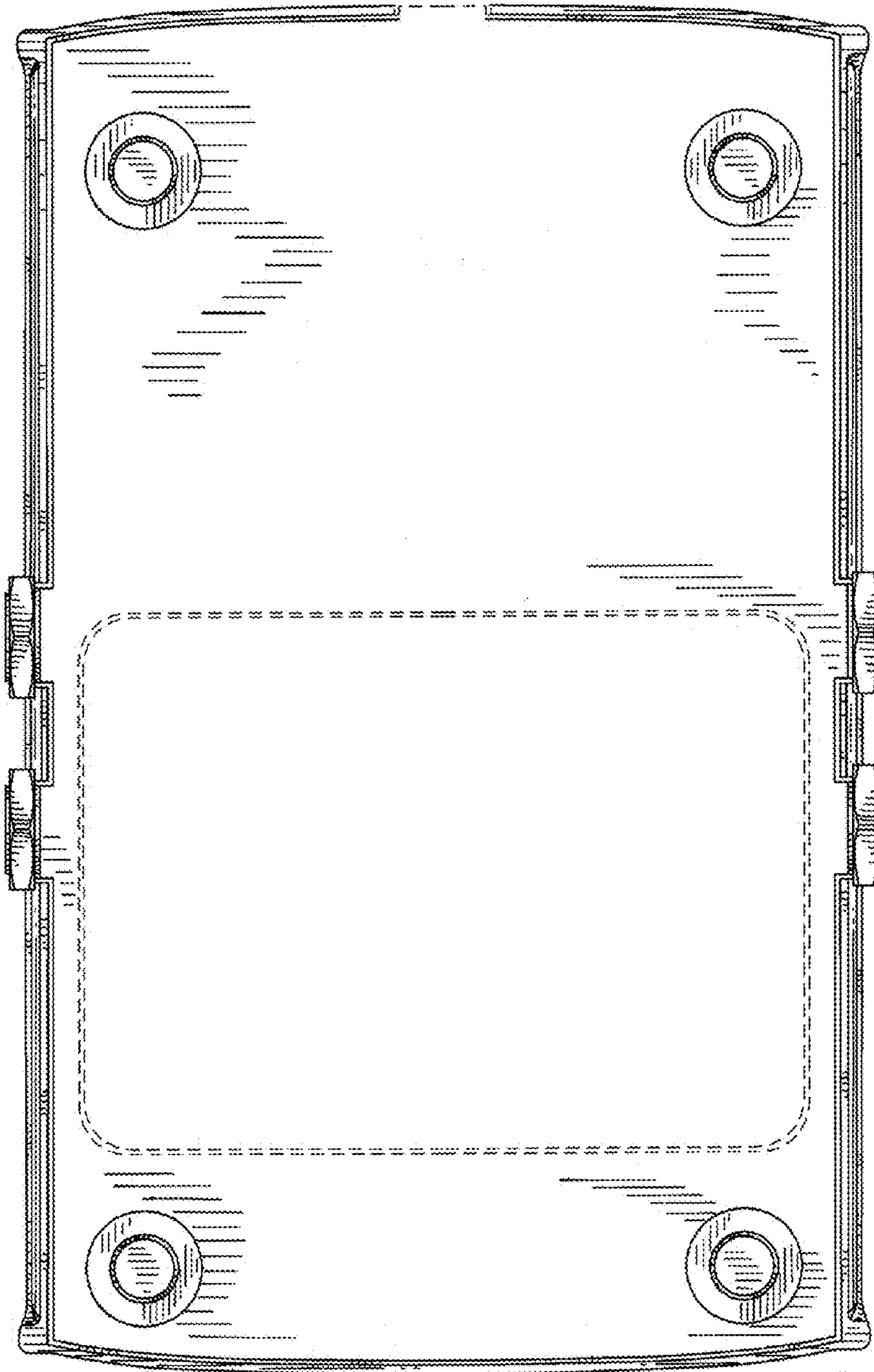


FIG.6