



US00D752128S

(12) **United States Design Patent**
Mohan et al.

(10) **Patent No.:** **US D752,128 S**
(45) **Date of Patent:** **** Mar. 22, 2016**

- (54) **SECURITY CAMERA PROCESSOR**
- (71) Applicant: **Avigilon Corporation**, Vancouver (CA)
- (72) Inventors: **Sudeep Mohan**, Vancouver (CA);
Michael Neufeld, Vancouver (CA)
- (73) Assignee: **Avigilon Corporation**, Vancouver (CA)
- (**) Term: **14 Years**
- (21) Appl. No.: **29/488,369**
- (22) Filed: **Apr. 17, 2014**

D341,248 S * 11/1993 Kataoka D16/249
 D373,593 S * 9/1996 Hiroko D16/202
 D399,517 S 10/1998 Hasegawa

(Continued)

FOREIGN PATENT DOCUMENTS

JP 2005-157681 A 6/2005
 WO PCT/CA2013/050334 4/2013

OTHER PUBLICATIONS

1 MP HD Micro Dome, webpage from URL: <http://avigilon.com/products/video-surveillance/cameras/hd-micro-dome/hd-micro-dome-cameras/1-mp-hd-micro-dome>.

(Continued)

Related U.S. Application Data

- (60) Continuation-in-part of application No. 29/470,179, filed on Oct. 17, 2013, now Pat. No. Des. 726,798, which is a continuation-in-part of application No. 13/874,279, filed on Apr. 30, 2013, now Pat. No.

(Continued)

- (51) **LOC (10) Cl.** **16-05**
- (52) **U.S. Cl.**
USPC **D16/237**

- (58) **Field of Classification Search**
USPC D16/134, 136, 200, 202–208, 213–219,
D16/235, 237, 239–245; D14/203.4, 218,
D14/250, 345, 440, 449
CPC G03B 17/02–17/04; G03B 17/14;
G03B 17/56; G03B 17/561–17/568; G03B
21/20–21/2066; G03B 15/041–15/0436;
G02B 7/02–7/04; G02B 7/14; H04N
5/2251–5/2554; H04N 7/18; H04N 7/181;
H04N 7/183; F16M 11/04; F16M 13/00
See application file for complete search history.

- (56) **References Cited**

U.S. PATENT DOCUMENTS

D210,703 S * 4/1968 Steisslinger D16/239
 D283,898 S * 5/1986 Buteau D16/239
 4,746,990 A 5/1988 Kato et al.

Primary Examiner — Susan Bennett Hattan

Assistant Examiner — Vy Koenig

(74) *Attorney, Agent, or Firm* — Klarquist Sparkman, LLP

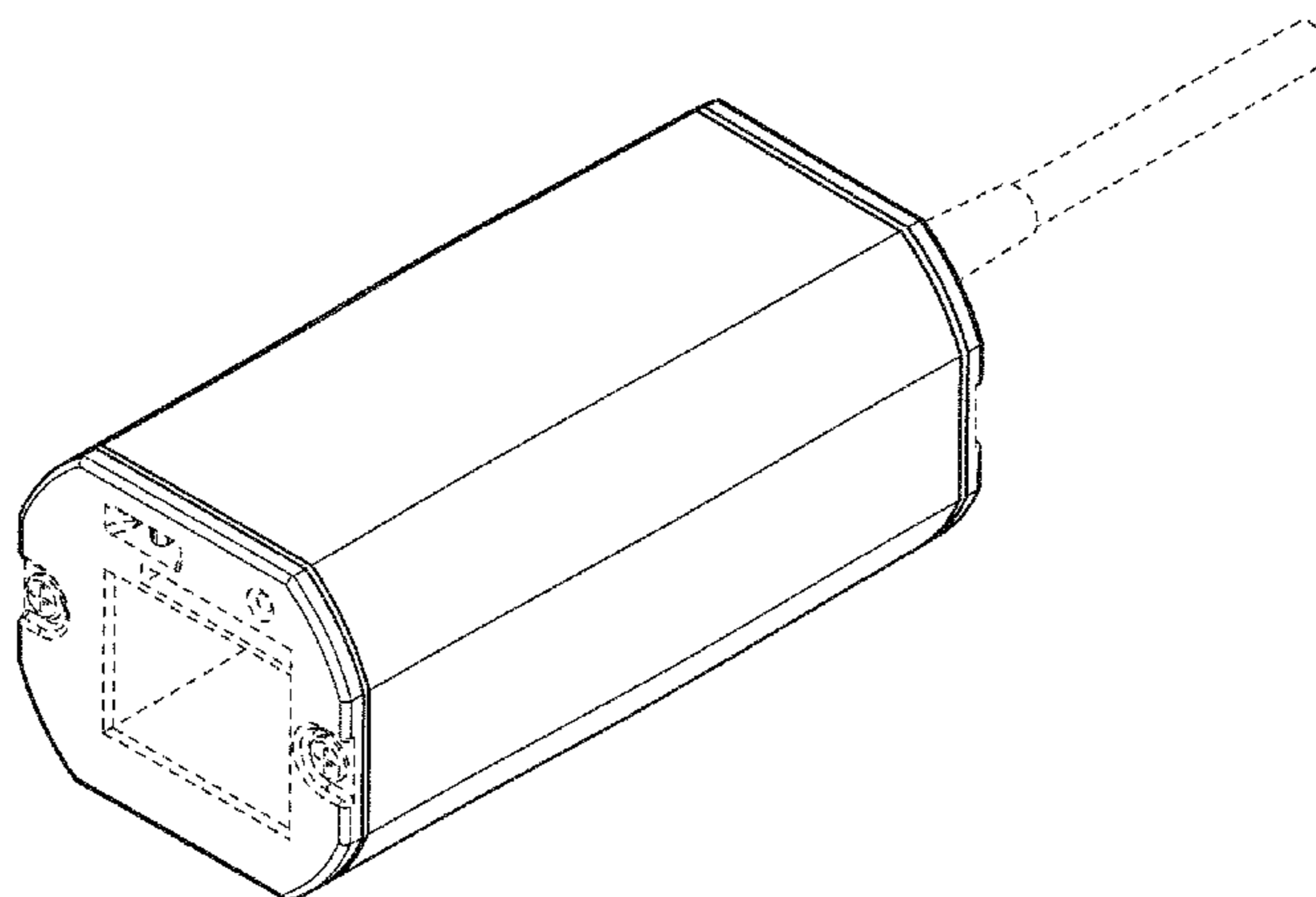
(57) **CLAIM**

The ornamental design for a security camera processor, as shown and described.

DESCRIPTION

FIG. 1 is a rear perspective view of a security camera processor;
 FIG. 2 is a top plan view of the security camera processor of FIG. 1;
 FIG. 3 is a rear elevation view of the security camera processor of FIG. 1;
 FIG. 4 is a left side elevation view of the security camera processor of FIG. 1;
 FIG. 5 is a bottom plan view of the security camera processor of FIG. 1;
 FIG. 6 is a front elevation view of the security camera processor of FIG. 1; and,
 FIG. 7 is a right side elevation view of the security camera processor of FIG. 1.
 The broken lines represent portions of the security camera processor that form no part of the claimed design.

1 Claim, 4 Drawing Sheets



Related U.S. Application Data

9,167,137, application No. 29/488,369, which is a continuation-in-part of application No. 29/470,181, filed on Oct. 17, 2013, now Pat. No. Des. 726,799, which is a continuation-in-part of application No. 13/874,279, application No. 29/488,369, which is a division of application No. 13/874,279.

(56)

References Cited

U.S. PATENT DOCUMENTS

6,392,698	B1	5/2002	Yokoyama	
D467,952	S	12/2002	Nakamura	
D473,888	S	4/2003	Jones et al.	
D489,744	S *	5/2004	Muto	D16/203
D502,196	S	2/2005	Miyazaki	
D508,934	S	8/2005	Nagai	
D516,105	S	2/2006	Bradley et al.	
D531,200	S *	10/2006	Taneno	D16/203
D536,011	S	1/2007	Dayan	
D540,360	S	4/2007	Yamakawa	
D547,347	S	7/2007	Kim	
D552,148	S	10/2007	Yamakawa	
D552,649	S	10/2007	Logan et al.	
D554,682	S	11/2007	Martinez et al.	
7,425,101	B2	9/2008	Cheng	
D612,408	S *	3/2010	Yamakawa	D16/203
D614,222	S	4/2010	Yamakawa	
D628,223	S	11/2010	Kao et al.	
D629,439	S	12/2010	Yoshida	
D633,543	S	3/2011	Park	
D633,931	S	3/2011	Ham	
D648,766	S	11/2011	Chen	
D653,687	S	2/2012	Yu	
D687,085	S	7/2013	Manson	
D690,344	S	9/2013	Hollinger	

D694,307	S *	11/2013	Isozaki	D16/203
D700,232	S	2/2014	Ramsay et al.	
D705,844	S	5/2014	Bart et al.	
8,764,318	B2	7/2014	Wada et al.	
D726,798	S *	4/2015	Neufeld	D16/203
D726,799	S *	4/2015	Neufeld	D16/203
D739,452	S *	9/2015	Adams	D16/203
9,167,137	B2 *	10/2015	Neufeld	G08B 13/19619
D742,953	S *	11/2015	Li	D16/202
2008/0056709	A1	3/2008	Huang	
2008/0111914	A1 *	5/2008	Takahashi	H04N 5/222 348/373
2008/0136915	A1	6/2008	Iwamura	
2011/0064403	A1	3/2011	Nakano et al.	
2011/0123189	A1	5/2011	Saito	
2013/0287385	A1	10/2013	Andersson	

OTHER PUBLICATIONS

Axis Communications, "Axis P12 Network Camera Series", data sheet; 4 pages.
 Mobotix Corp., S14 FlexMount Camera, instruction manual; 36 pages.
 Co-pending U.S. Appl. No. 29/470,181, filed Oct. 17, 2013 and entitled Miniature Dome Camera.
 Co-pending U.S. Appl. No. 29/470,179, filed Oct. 17, 2013 and entitled Miniature Dome Camera.
 Co-pending U.S. Appl. No. 29/488,370, filed Apr. 17, 2014 and entitled Spherical Security Camera.
 Co-pending U.S. Appl. No. 29/488,371, filed Apr. 17, 2014 and entitled Security Camera Processor.
 International Search Report and Written Opinion dated Nov. 18, 2013, issued by the Canadian Intellectual Property Office in corresponding International Patent Application No. PCT/CA2013/050334, filed Apr. 30, 2013. This application has not yet published.

* cited by examiner

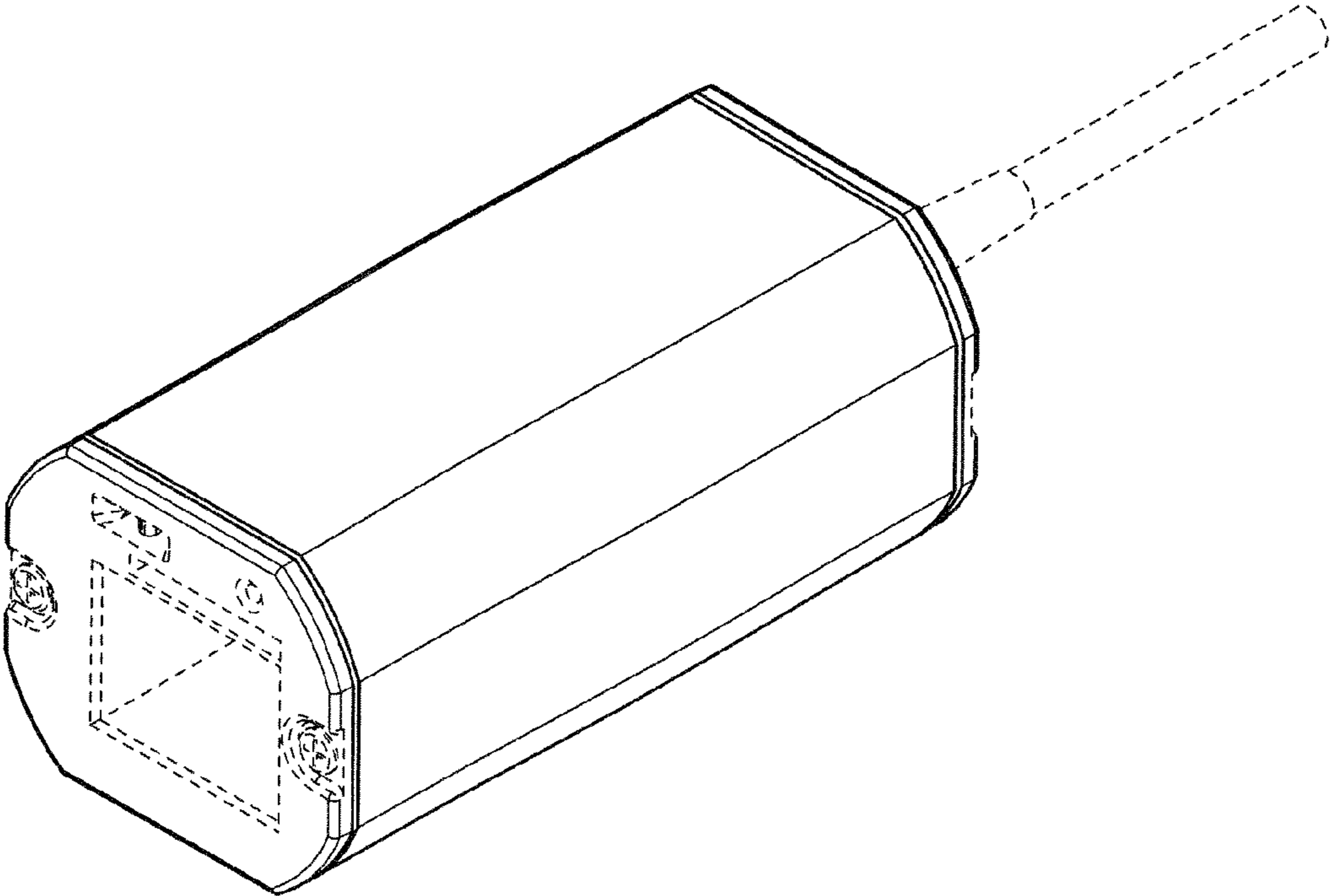


FIG. 1

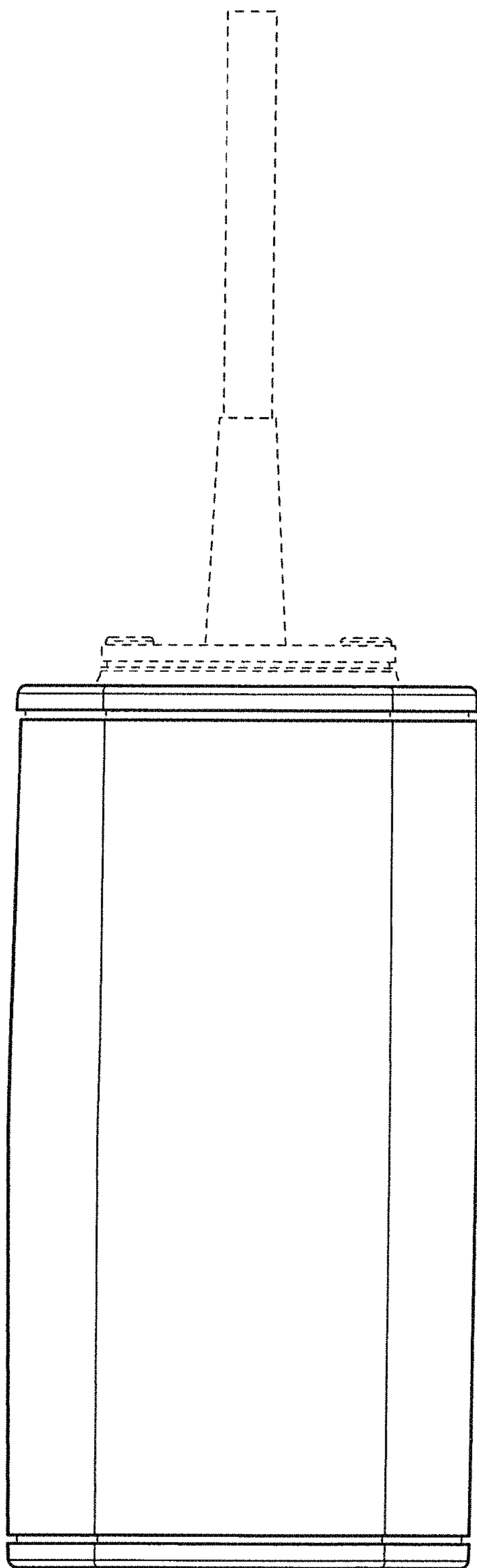


FIG. 2

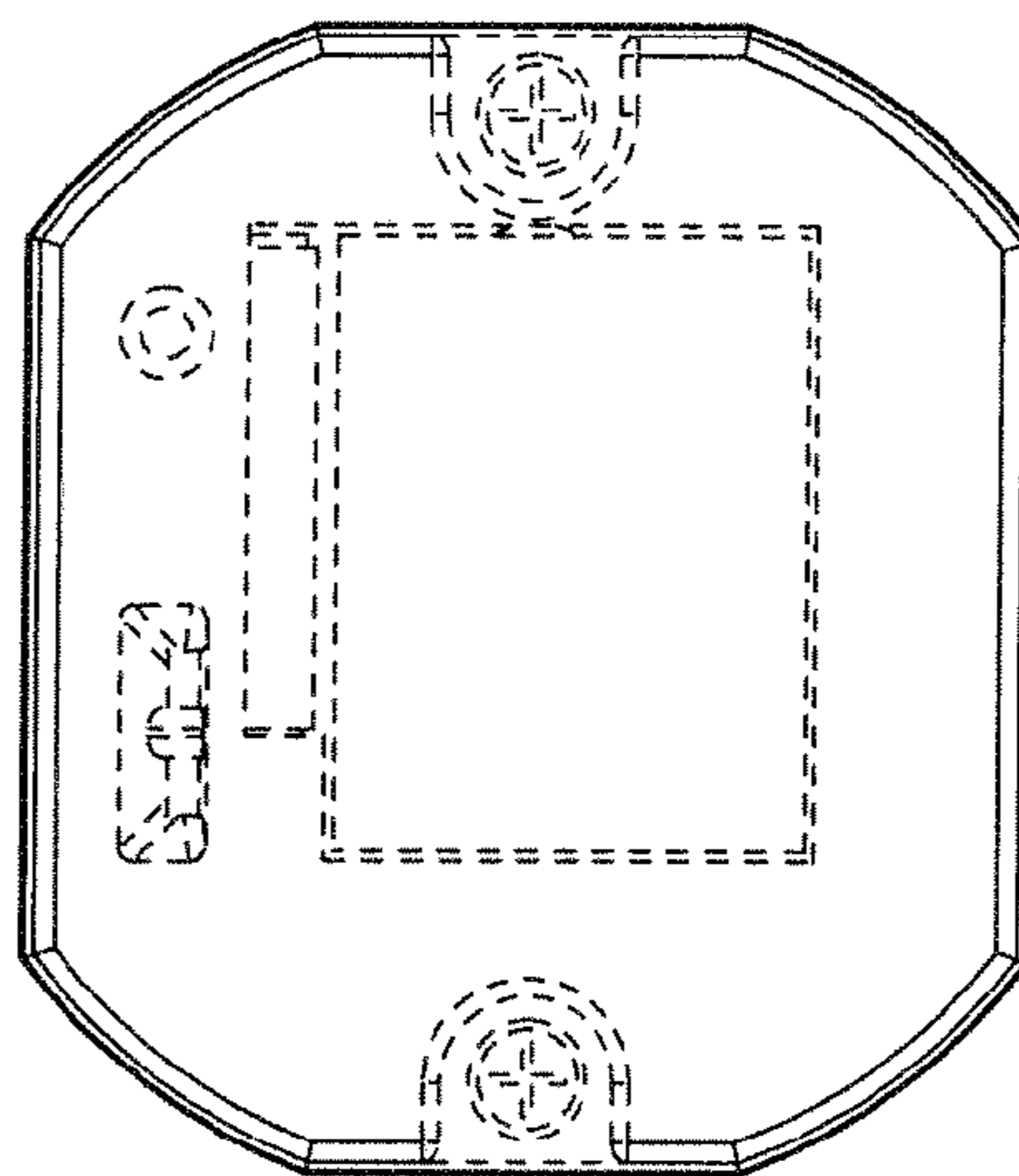


FIG. 3

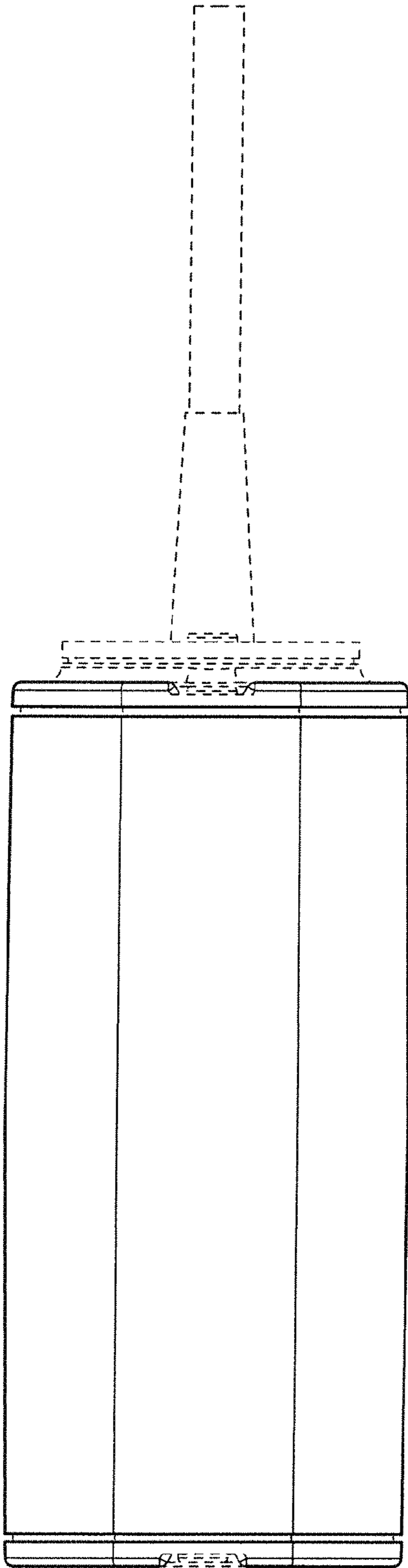


FIG. 4

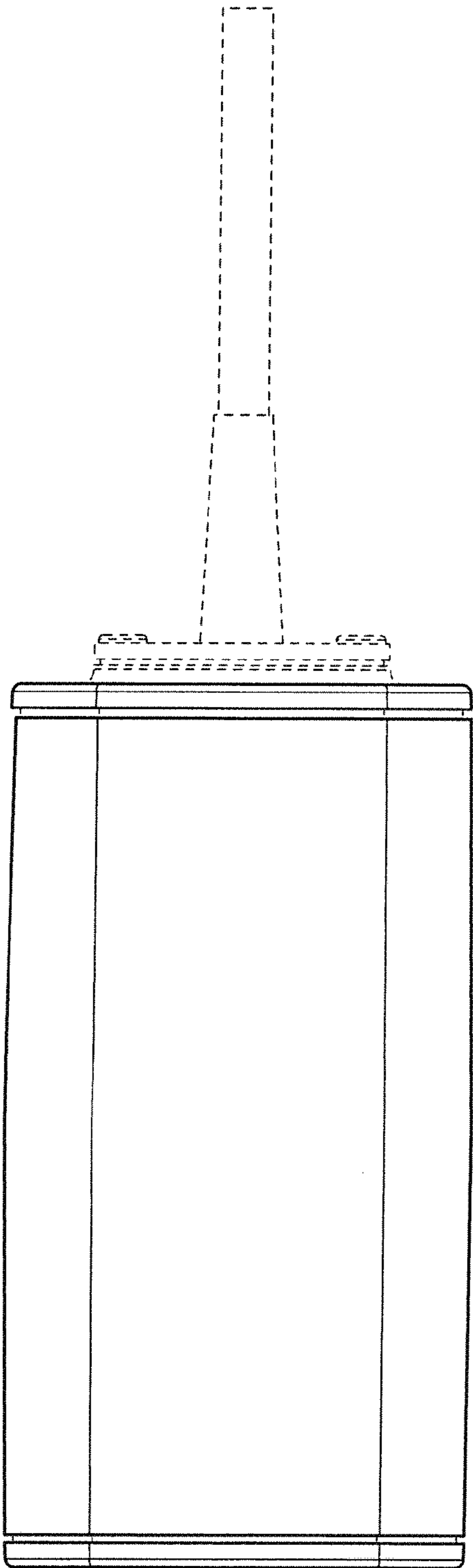


FIG. 5

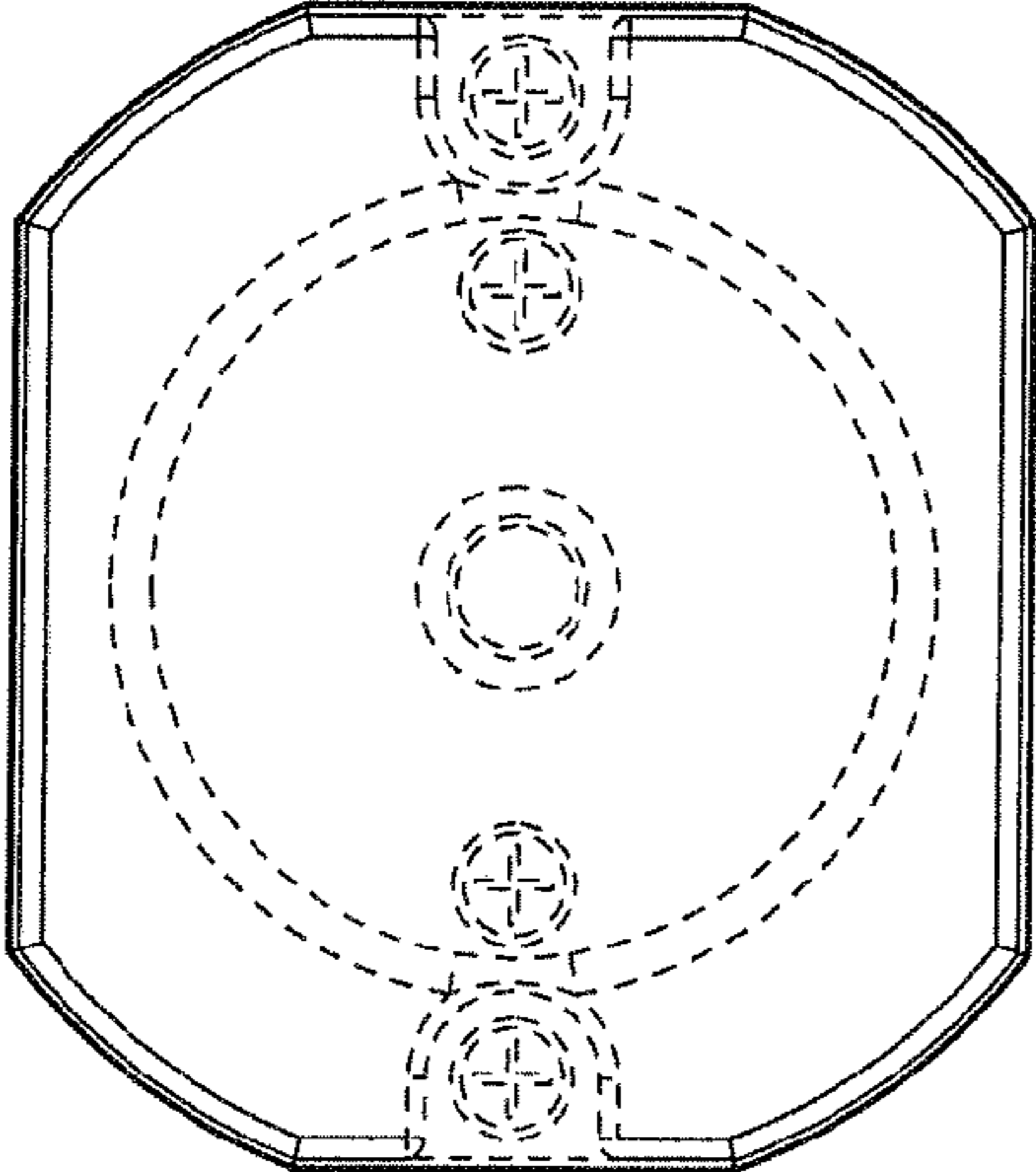


FIG. 6

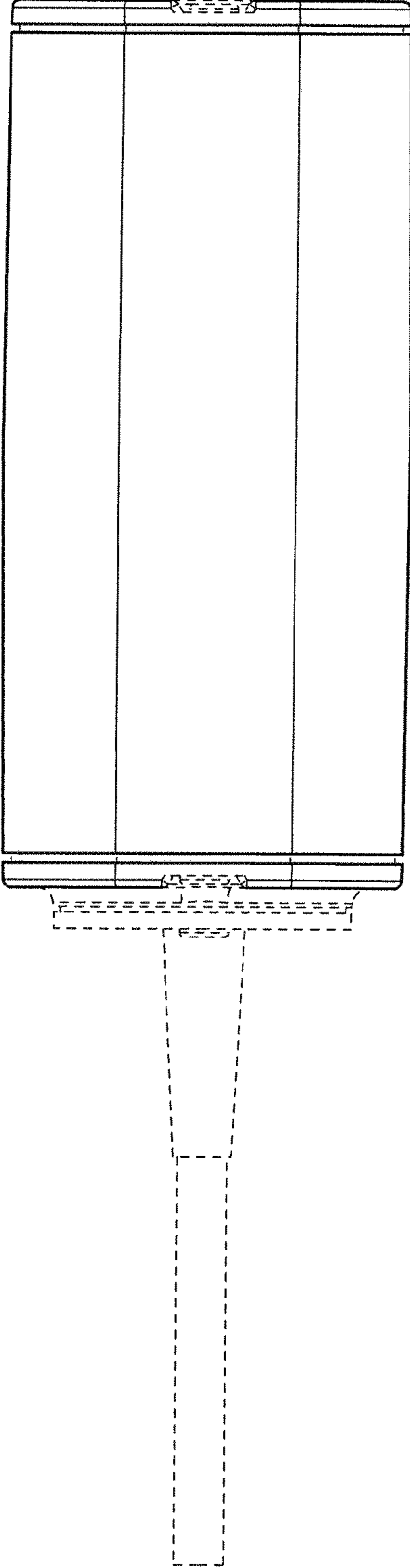


FIG. 7