



US00D752127S

(12) **United States Design Patent**  
**Inagaki et al.**

(10) **Patent No.:** **US D752,127 S**  
(45) **Date of Patent:** **\*\* Mar. 22, 2016**

(54) **CAMERA FOR PHOTOGRAPH VENDING MACHINE**

(71) Applicant: **FURYU CORPORATION**, Tokyo (JP)

(72) Inventors: **Ryoko Inagaki**, Tokyo (JP); **Hideaki Furukawa**, Tokyo (JP); **Shingo Hamaguchi**, Tokyo (JP); **Sadayasu Araki**, Tokyo (JP); **Tsuneo Okada**, Tokyo (JP); **Wakako Sakahara**, Tokyo (JP); **Michiyo Wakayoshi**, Tokyo (JP)

(73) Assignee: **FURYU CORPORATION**, Tokyo (JP)

(\*\*) Term: **14 Years**

(21) Appl. No.: **29/474,985**

(22) Filed: **Mar. 11, 2015**

(30) **Foreign Application Priority Data**

Sep. 16, 2014 (JP) ..... 2014-020461

(51) **LOC (10) Cl.** ..... **16-01**

(52) **U.S. Cl.**  
USPC ..... **D16/215**

(58) **Field of Classification Search**  
USPC ..... D16/200, 202–206, 212, 214–216, 218, D16/219, 227, 229, 239, 240, 242, 244; D25/16; 52/27.5, 29, 36.1; 348/373–376; 396/2, 3, 5, 419, 424, 396/427, 429, 535, 539–541; 455/575.3  
CPC ..... G03B 15/00; G03B 15/03; G03B 15/06; G03B 17/02; G03B 17/04; G03B 17/53; G03B 17/56; G03B 19/04; H04N 5/2251; H04N 5/2252; H04N 5/2253; H04N 5/2254; H04N 2101/00

See application file for complete search history.

(56) **References Cited**

U.S. PATENT DOCUMENTS

D176,980	S	*	2/1956	Hodgman	.....	D16/216
D186,473	S	*	10/1959	Hodgman	.....	D16/216
D408,835	S	*	4/1999	Tiedemann	.....	D16/215
D461,253	S	*	8/2002	Peck	.....	D25/16
D480,406	S	*	10/2003	Tudico	.....	D16/215
D633,933	S	*	3/2011	Van Schalkwyk	.....	D16/214
D647,938	S	*	11/2011	Geddes	.....	D16/215
D692,474	S	*	10/2013	Thorpe	.....	D16/215
D707,745	S	*	6/2014	Hernandez	.....	D16/215
D727,992	S	*	4/2015	Tu	.....	D16/215
D731,575	S	*	6/2015	Moss	.....	D16/215
2004/0126104	A1	*	7/2004	Clark	.....	G03B 15/00 396/2
2011/0211819	A1	*	9/2011	Reno	.....	G03B 15/02 396/2

\* cited by examiner

*Primary Examiner* — Adir Aronovich

*Assistant Examiner* — Ramzi Almatrahi

(74) *Attorney, Agent, or Firm* — Capital City TechLaw

(57) **CLAIM**

The ornamental design for a camera for photograph vending machine, as shown and described.

**DESCRIPTION**

FIG. 1 is a top, front and right side perspective view of a camera for photograph vending machine showing our new design;

FIG. 2 is a top, rear and left side perspective view thereof;

FIG. 3 is a front elevation view thereof;

FIG. 4 is a rear elevation view thereof;

FIG. 5 is a top plan view thereof;

FIG. 6 is a bottom plan view thereof;

FIG. 7 is a right side elevation view thereof; and,

FIG. 8 is a left side elevation view thereof.

The broken lines depict portions of a camera for photograph vending machine in which the design is embodied and form no part of the claimed design. Additionally, the dash-dot lines denote the boundary of the claim and form no part of the claimed design.

**1 Claim, 8 Drawing Sheets**

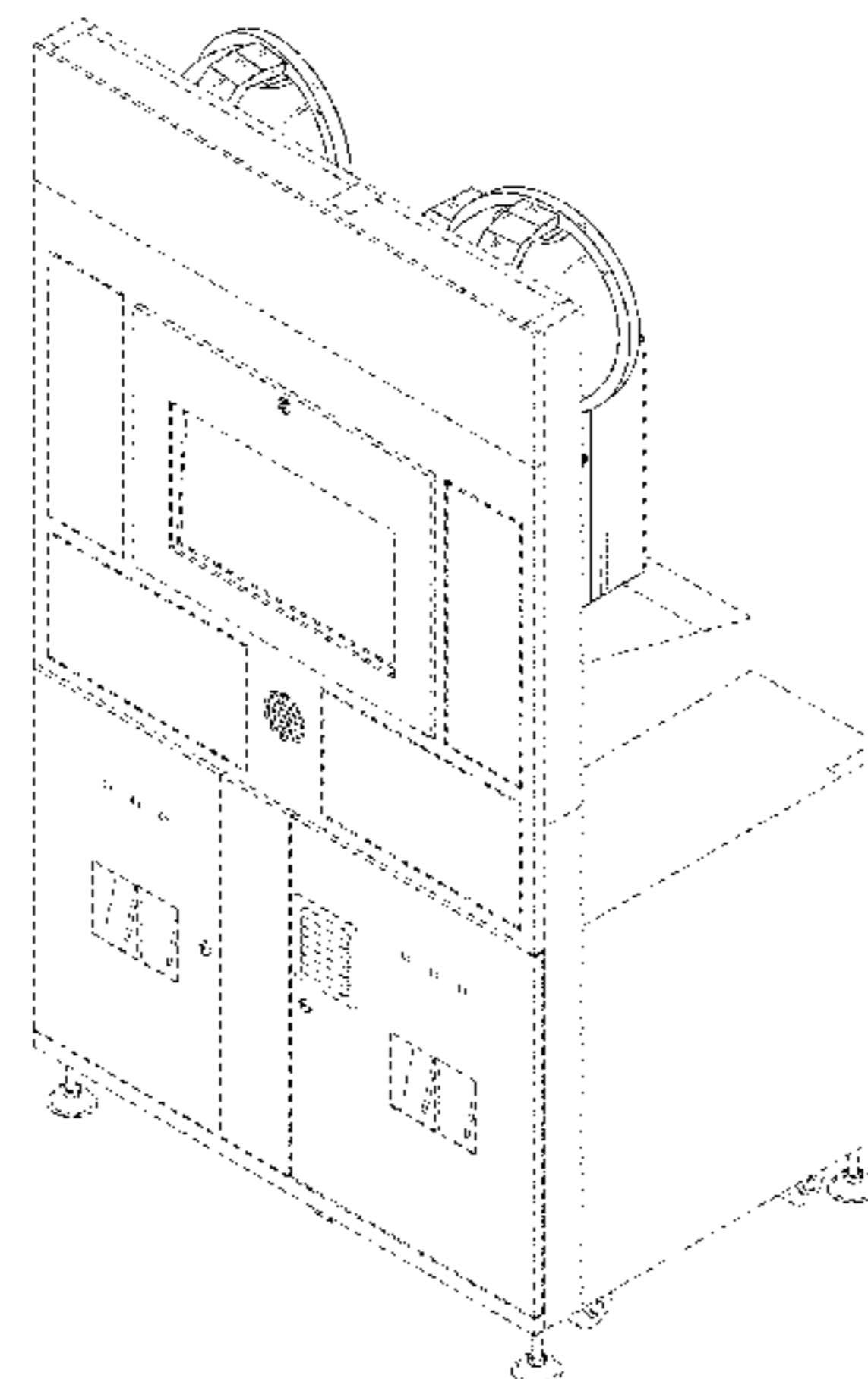
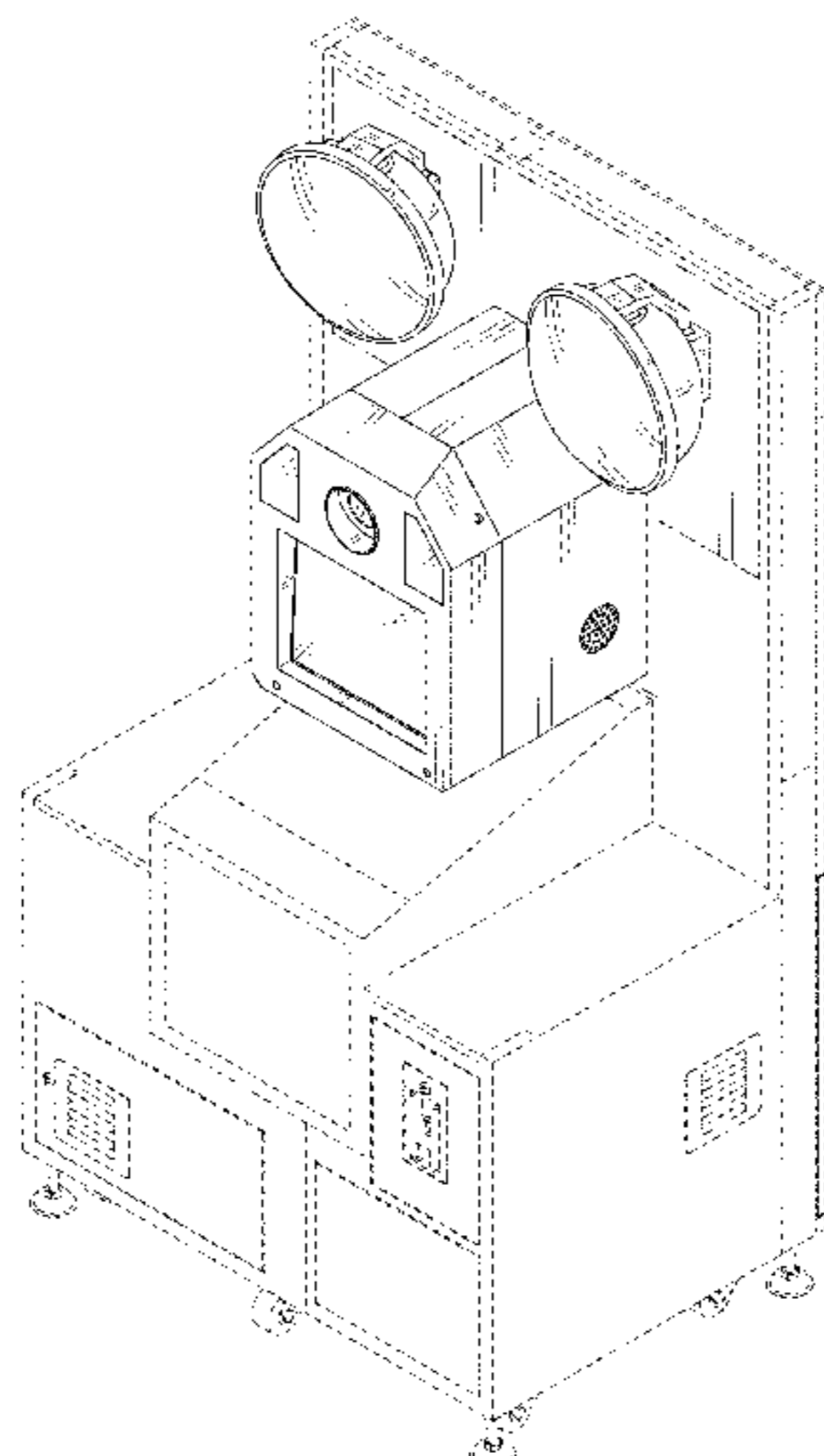


FIG.1

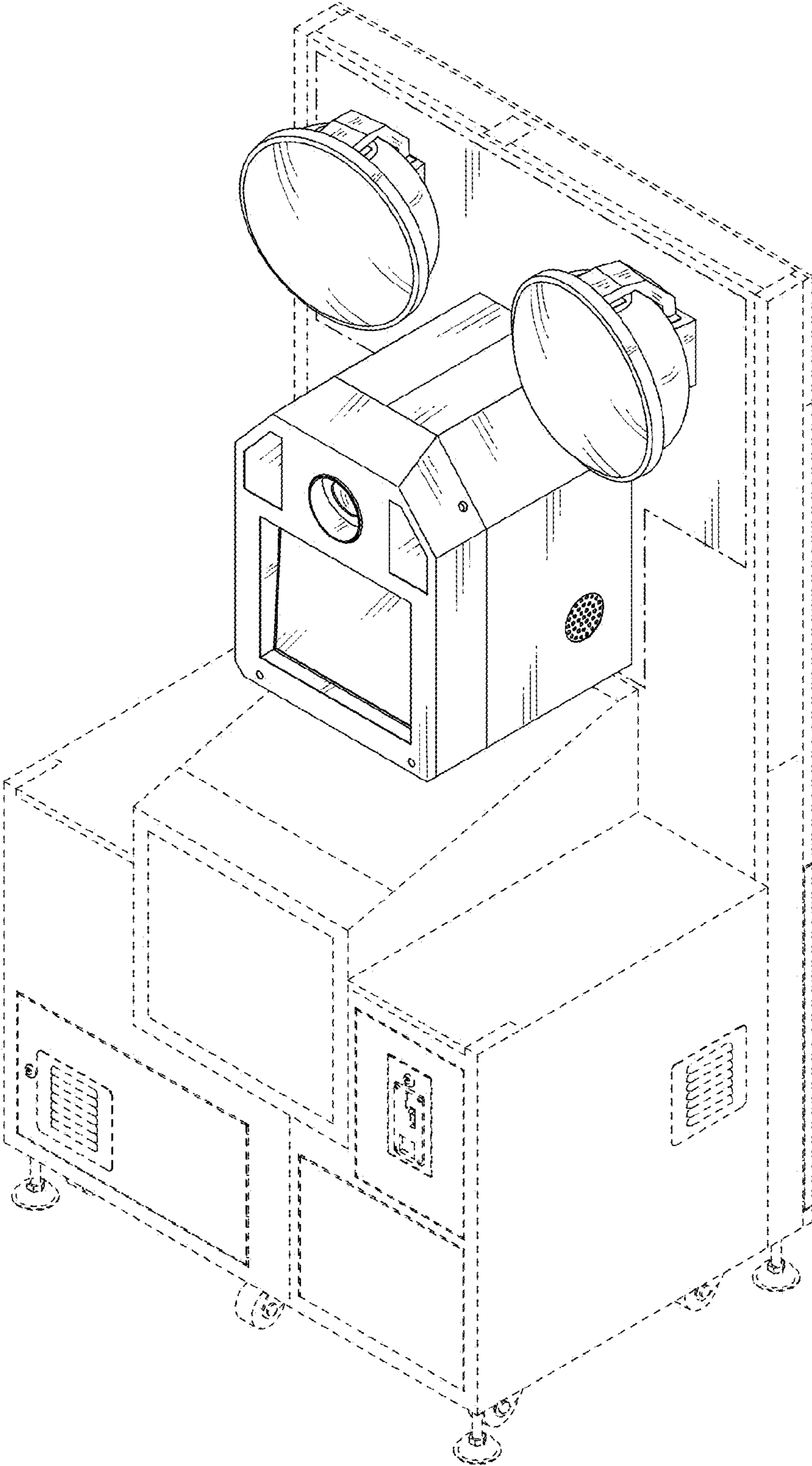


FIG.2

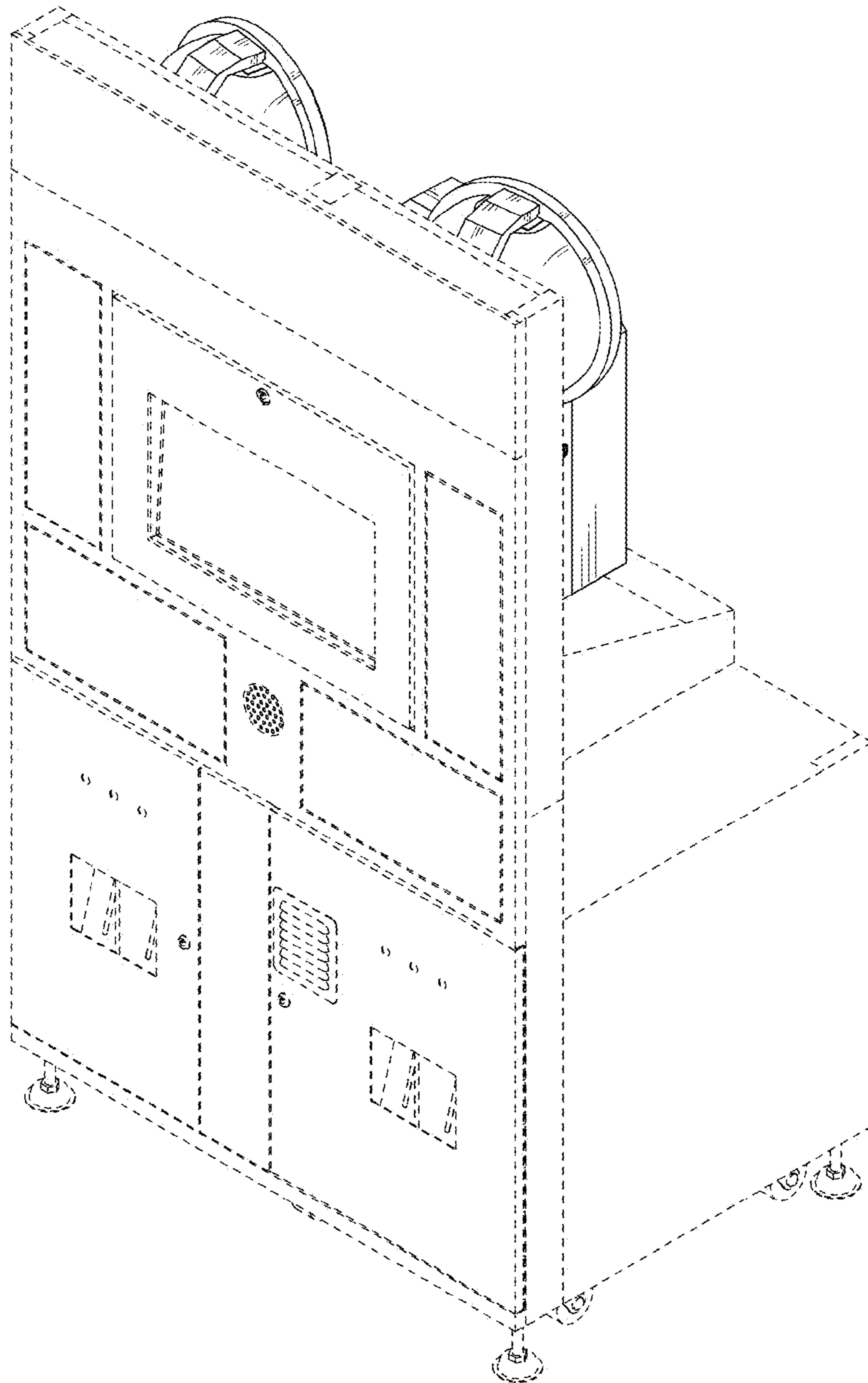


FIG.3

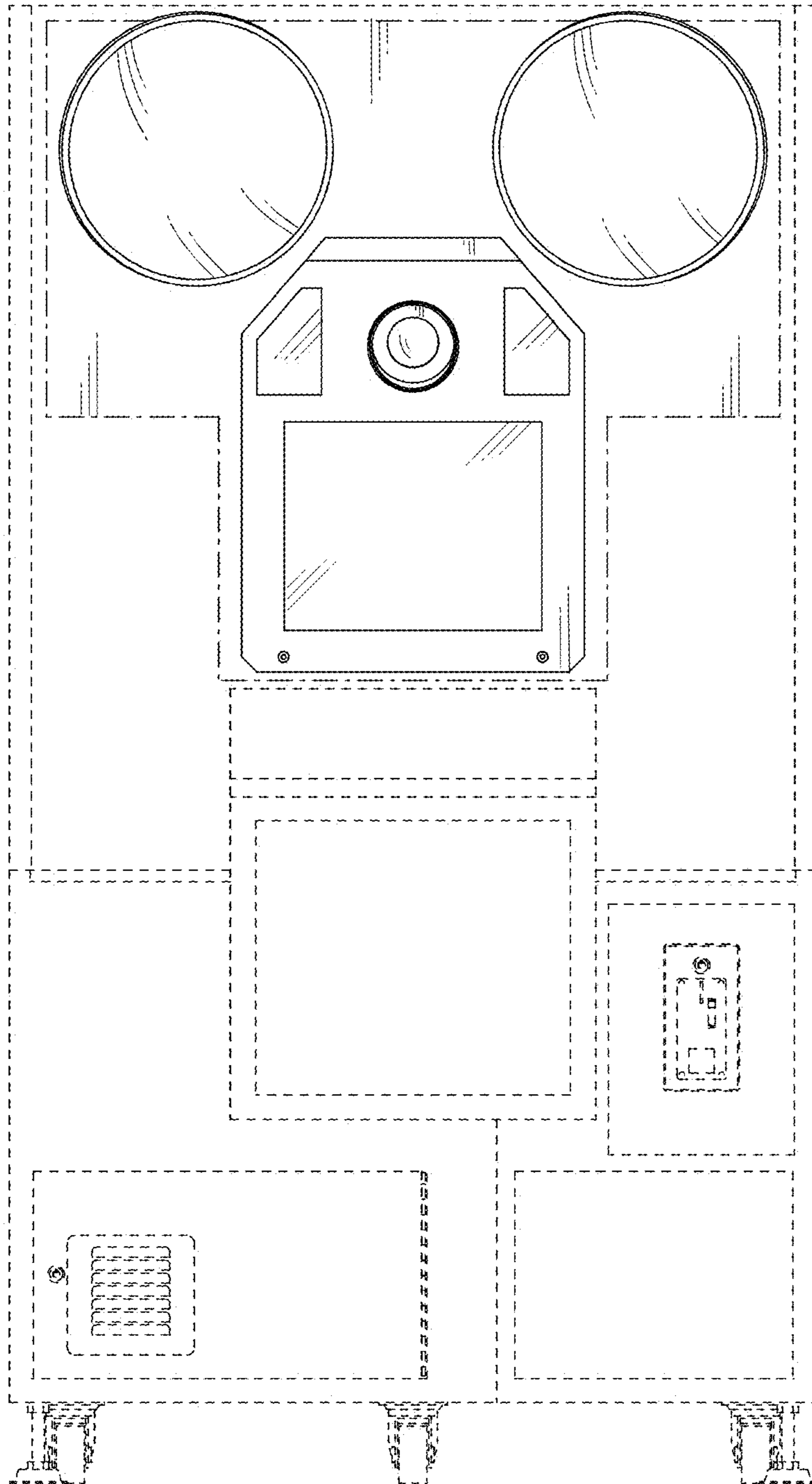


FIG.4

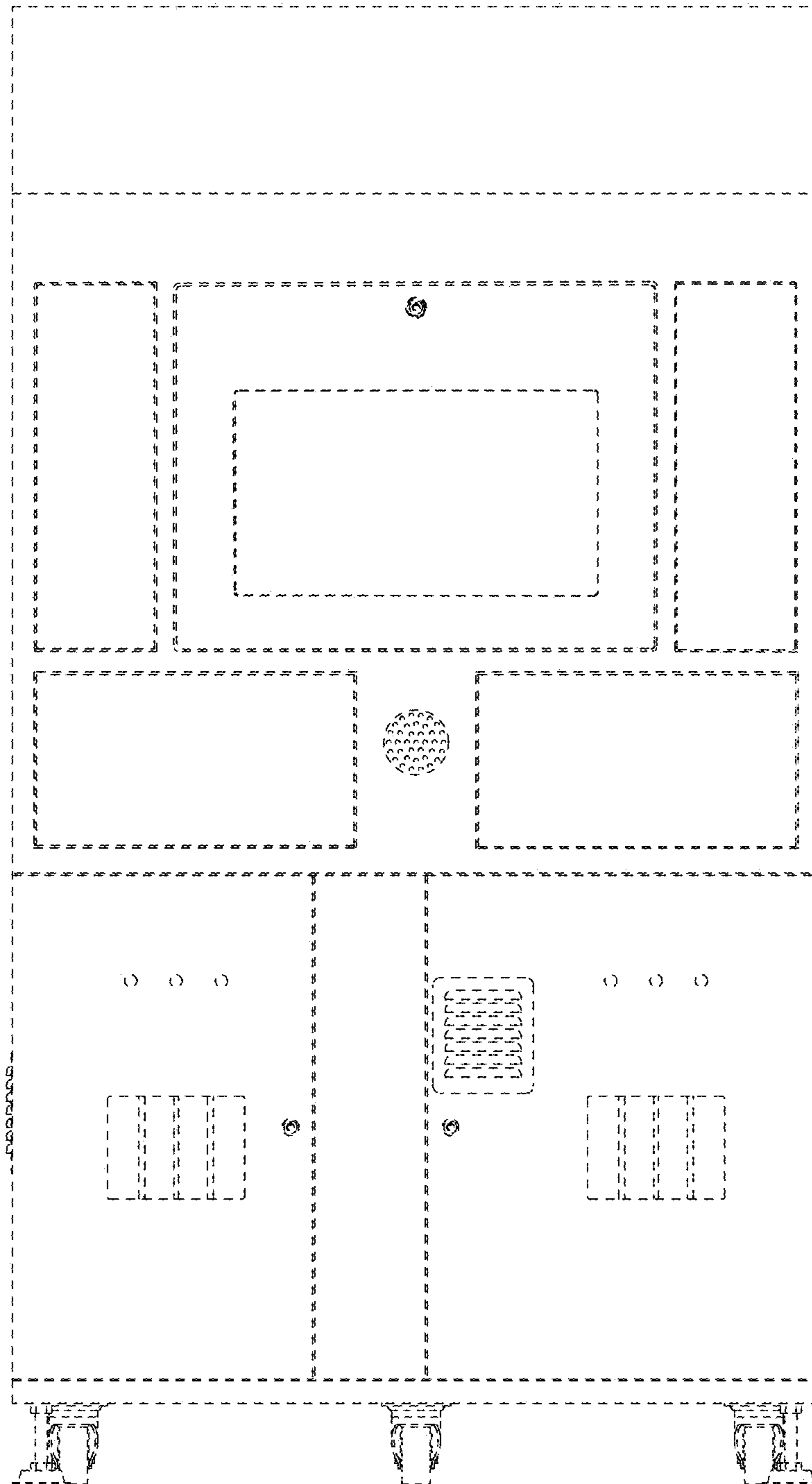


FIG.5

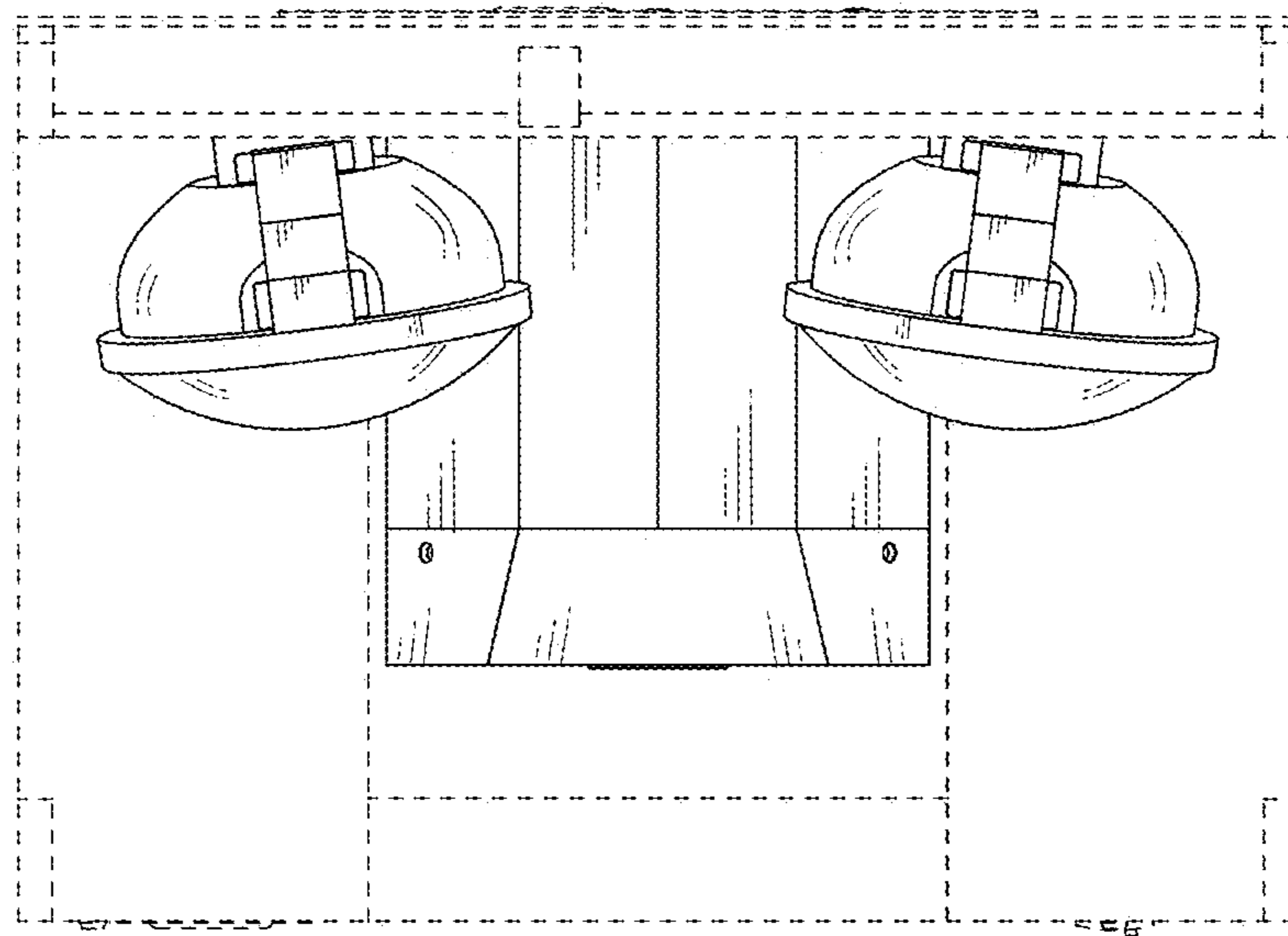


FIG.6

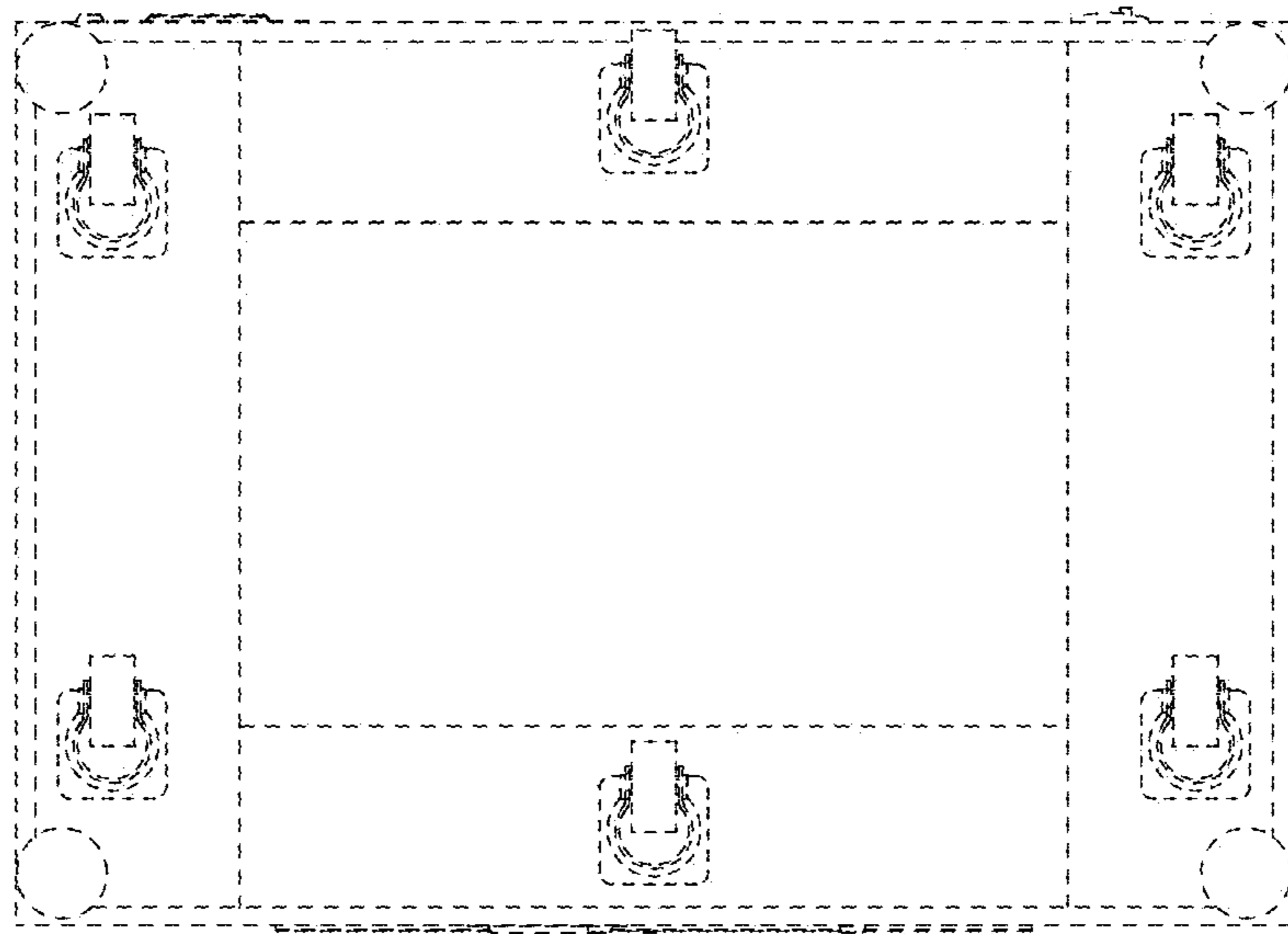


FIG.7

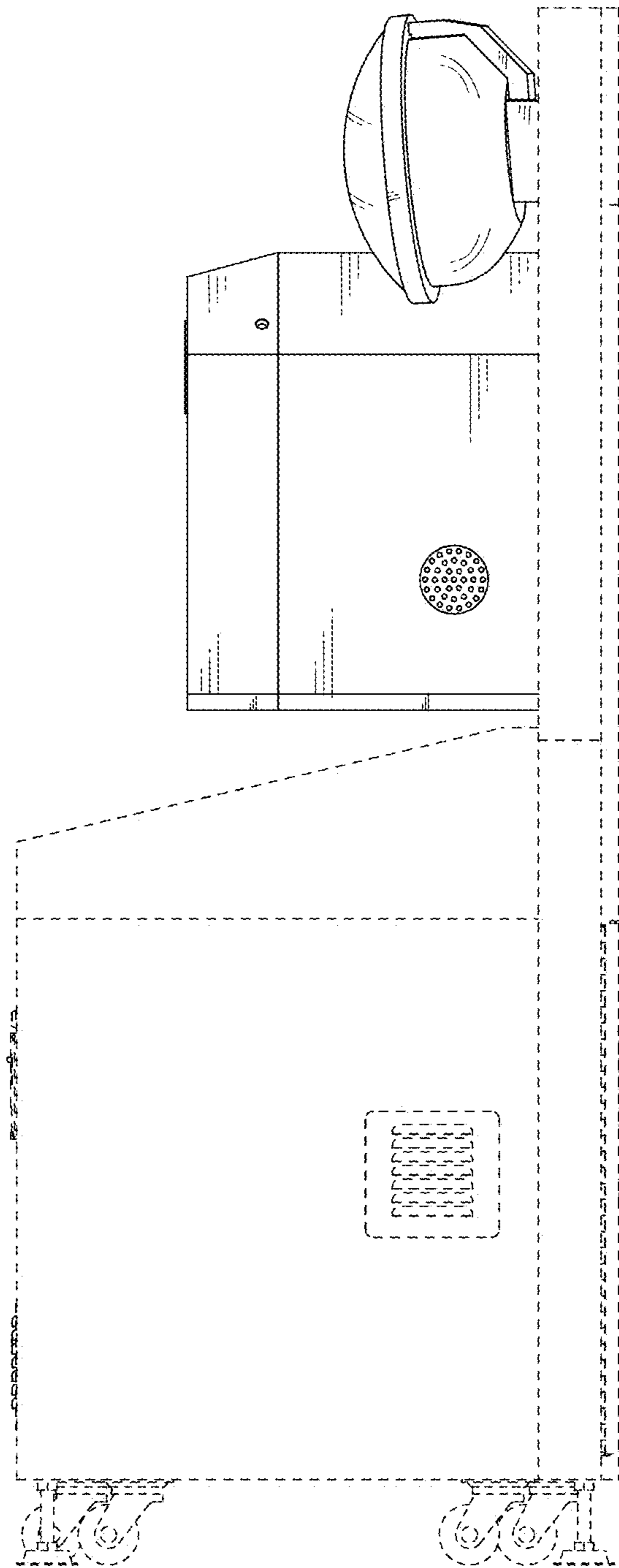




FIG.8

