



US00D752126S

(12) **United States Design Patent**
Heilweil et al.

(10) **Patent No.:** **US D752,126 S**
(45) **Date of Patent:** **** Mar. 22, 2016**

(54) **MOBILE SURVEILLANCE CAMERA ENCLOSURE**

2008/0100707 A1 5/2008 Brown
2009/0096918 A1 4/2009 Montelongo
2014/0253725 A1* 9/2014 Hsu 348/143

(71) Applicants: **Jordan Heilweil**, Suffern, NY (US);
Richard Heilweil, Milton, NY (US);
Frank Giunta, Woodbridge, NJ (US)

* cited by examiner

Primary Examiner — Susan Hattan
Assistant Examiner — Leanne Was

(72) Inventors: **Jordan Heilweil**, Suffern, NY (US);
Richard Heilweil, Milton, NY (US);
Frank Giunta, Woodbridge, NJ (US)

(74) *Attorney, Agent, or Firm* — Myron Greenspan;
Lackebach Siegel LLP

(**) Term: **14 Years**

(57) **CLAIM**

The ornamental design thereof for a mobile surveillance camera enclosure, as shown and described.

(21) Appl. No.: **29/504,208**

DESCRIPTION

(22) Filed: **Oct. 2, 2014**

(51) **LOC (10) Cl.** **16-05**

(52) **U.S. Cl.**

USPC **D16/203**; D16/242

(58) **Field of Classification Search**

USPC D16/200–205, 215; 348/143, 151, 375;
386/224, 230, 358; 396/427

See application file for complete search history.

FIG. 1 is a front elevational view of the mobile surveillance camera enclosure shown with the protective cover mounted on the bottom of the housing or enclosure to protect the camera dome;

FIG. 2 is a rear elevational view thereof;

FIG. 3 is left side elevational view thereof;

FIG. 4 is a right side elevational view thereof;

FIG. 5 is a top plan view thereof;

FIG. 6 is a bottom plan view thereof;

FIG. 7 is similar to FIG. 1 and is a front elevational view of the mobile surveillance camera enclosure with the protective cover mounted or attached to the top of the housing or enclosure to expose the camera dome;

FIG. 8 is a rear elevational view thereof;

FIG. 9 is a right side elevational view thereof;

FIG. 10 is a left side elevational view thereof;

FIG. 11 is a top plan view thereof; and,

FIG. 12 is a bottom plan view thereof.

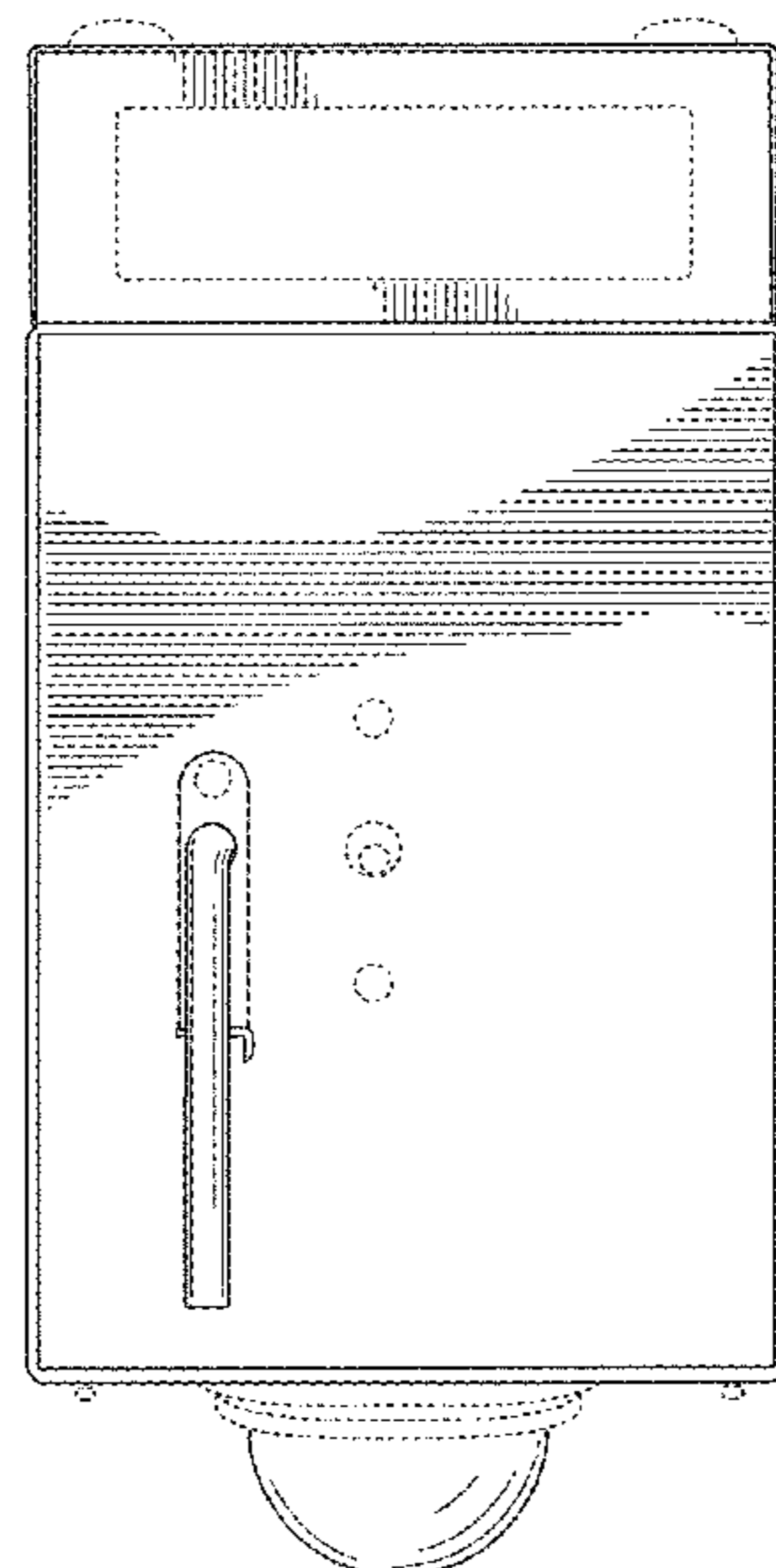
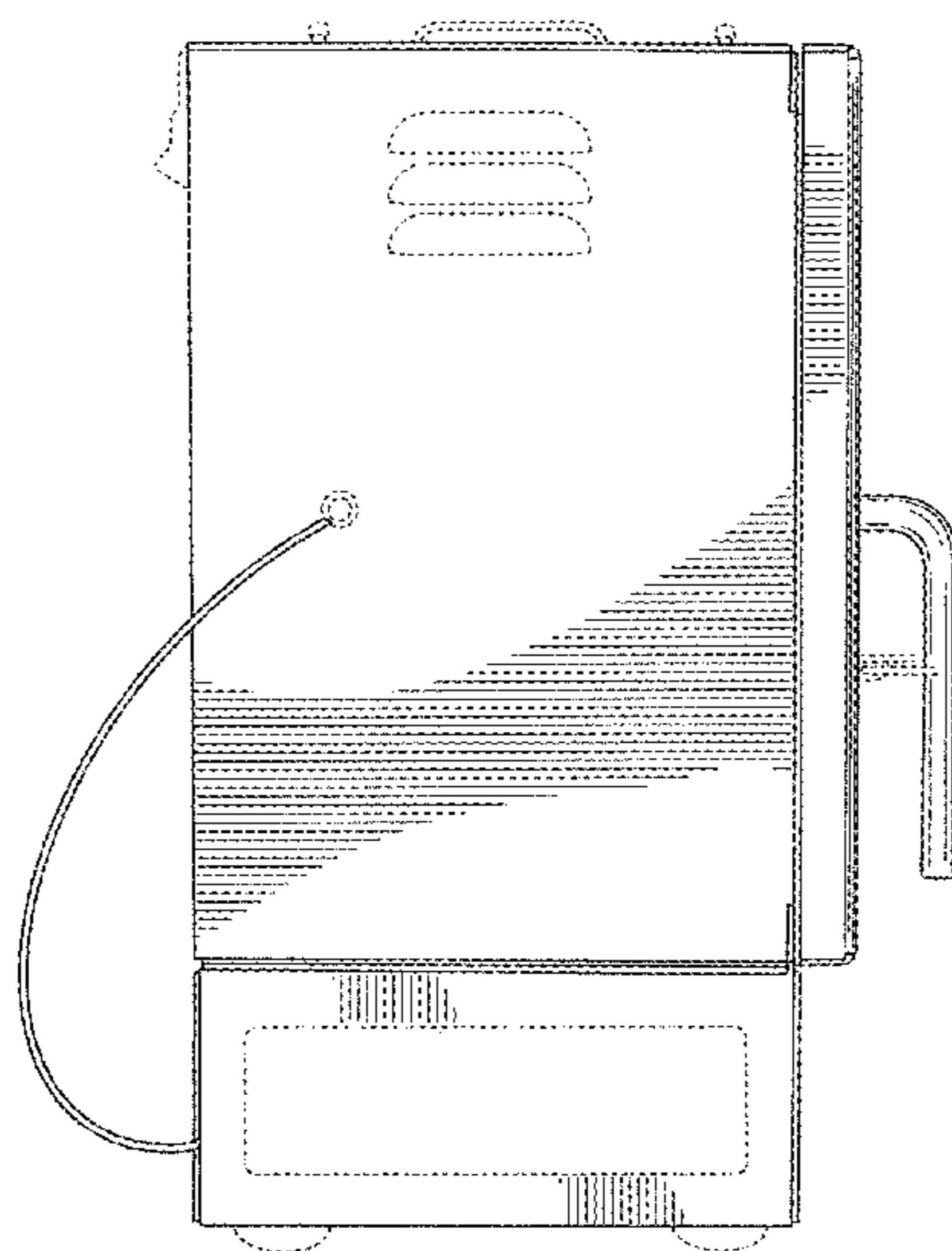
The evenly spaced broken lines in FIGS. 1-12 depict portions of the mobile surveillance camera enclosure that form no part of the claimed design. The dash-dot-dash lines in FIG. 12 represent the bounds of the claim and form no part of the claim.

(56) **References Cited**

U.S. PATENT DOCUMENTS

3,993,866	A	11/1976	Pearl et al.	
4,160,999	A	7/1979	Claggett	
4,881,135	A *	11/1989	Heilweil	386/224
D307,029	S *	4/1990	Tominaga et al.	D16/203
5,852,754	A	12/1998	Schneider	
6,354,749	B1	3/2002	Pfaffenberger	
RE37,709	E	5/2002	Dukek	
6,735,382	B2	5/2004	Schneider	
8,137,009	B2	3/2012	Cirker	
D678,792	S *	3/2013	Daly et al.	D10/104.1
8,824,884	B1 *	9/2014	Trujillo	396/539
D727,992	S *	4/2015	Tu et al.	D16/215
2007/0019941	A1 *	1/2007	Cross et al.	396/263

1 Claim, 12 Drawing Sheets



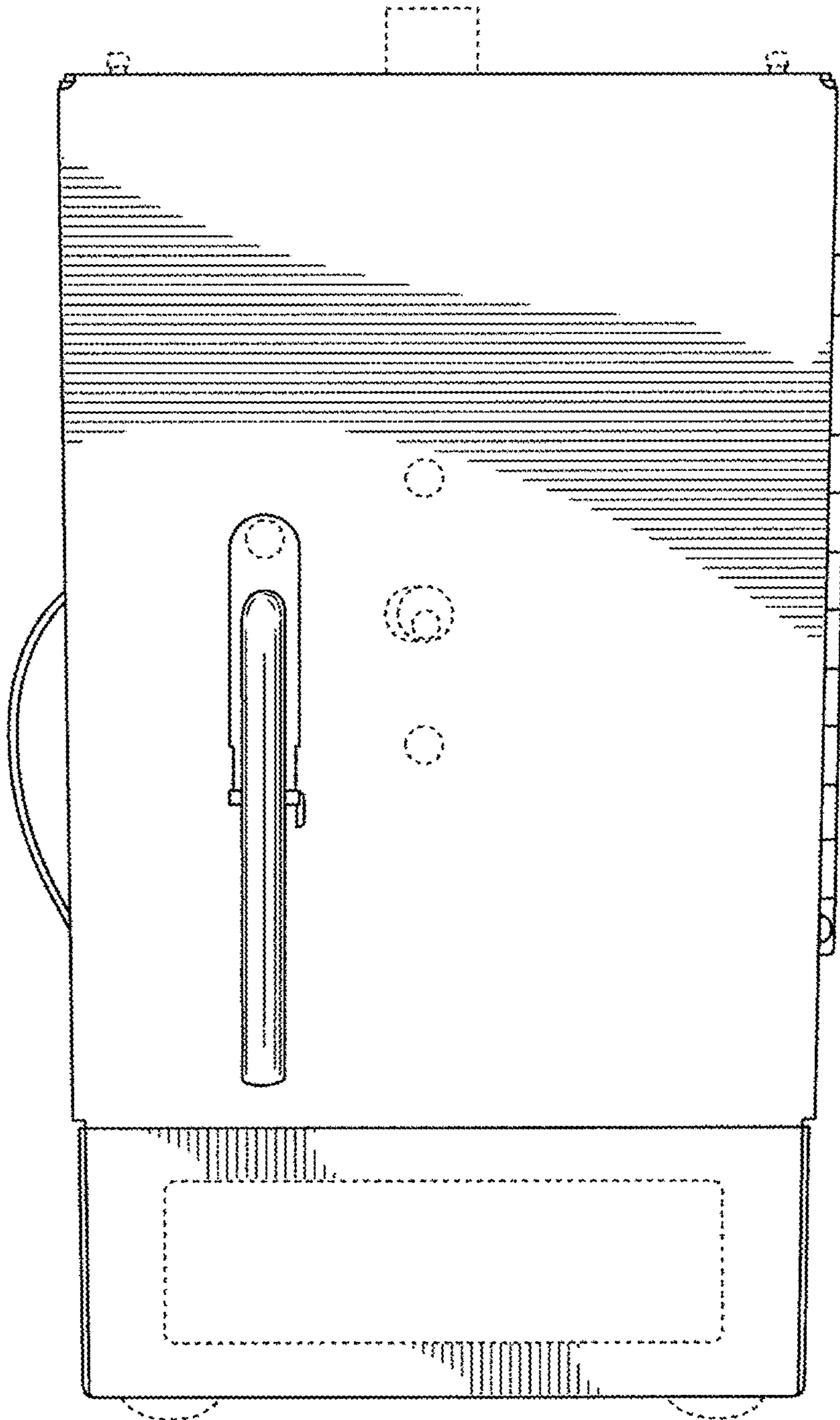


FIG. 1

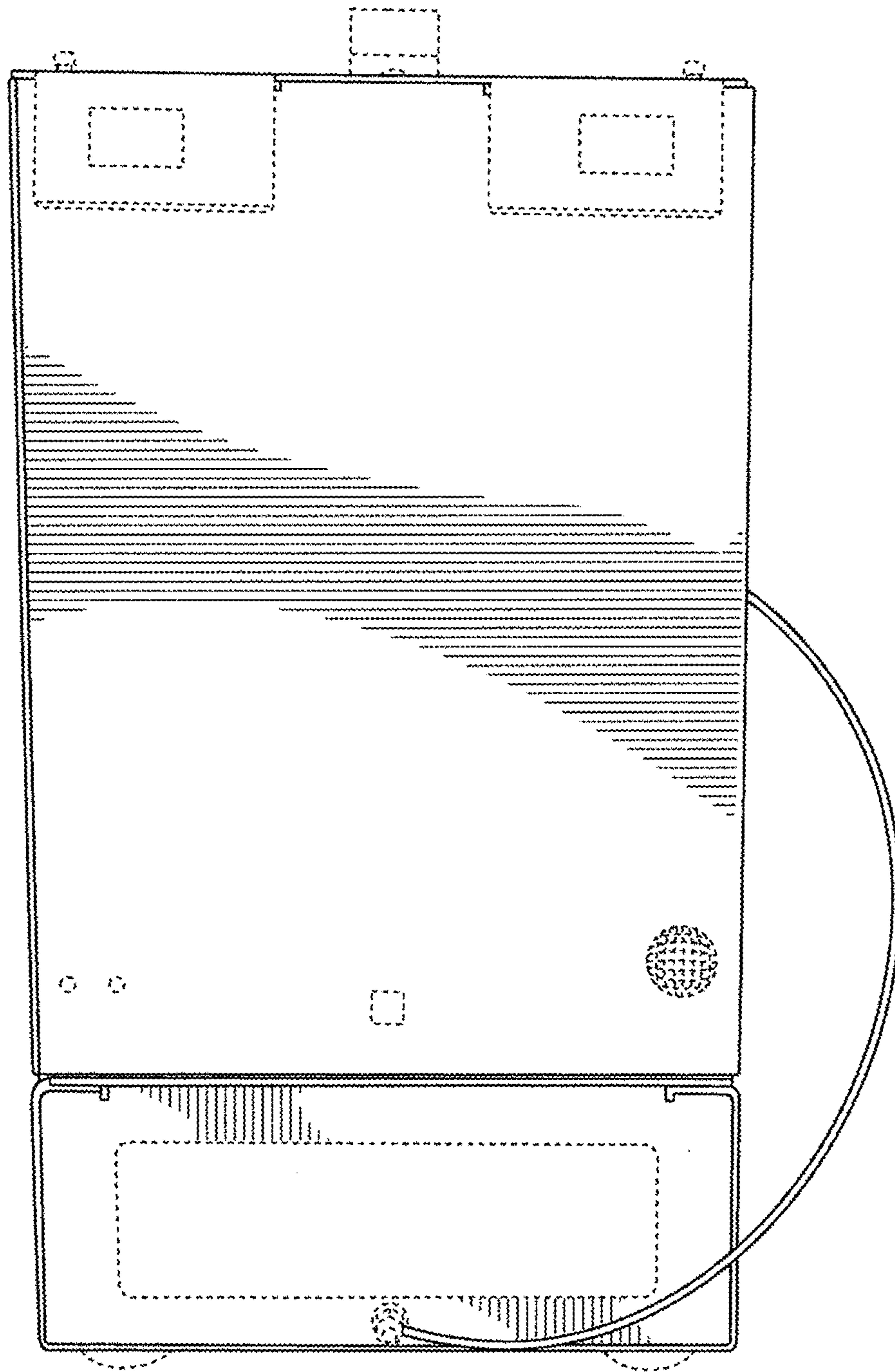


FIG. 2

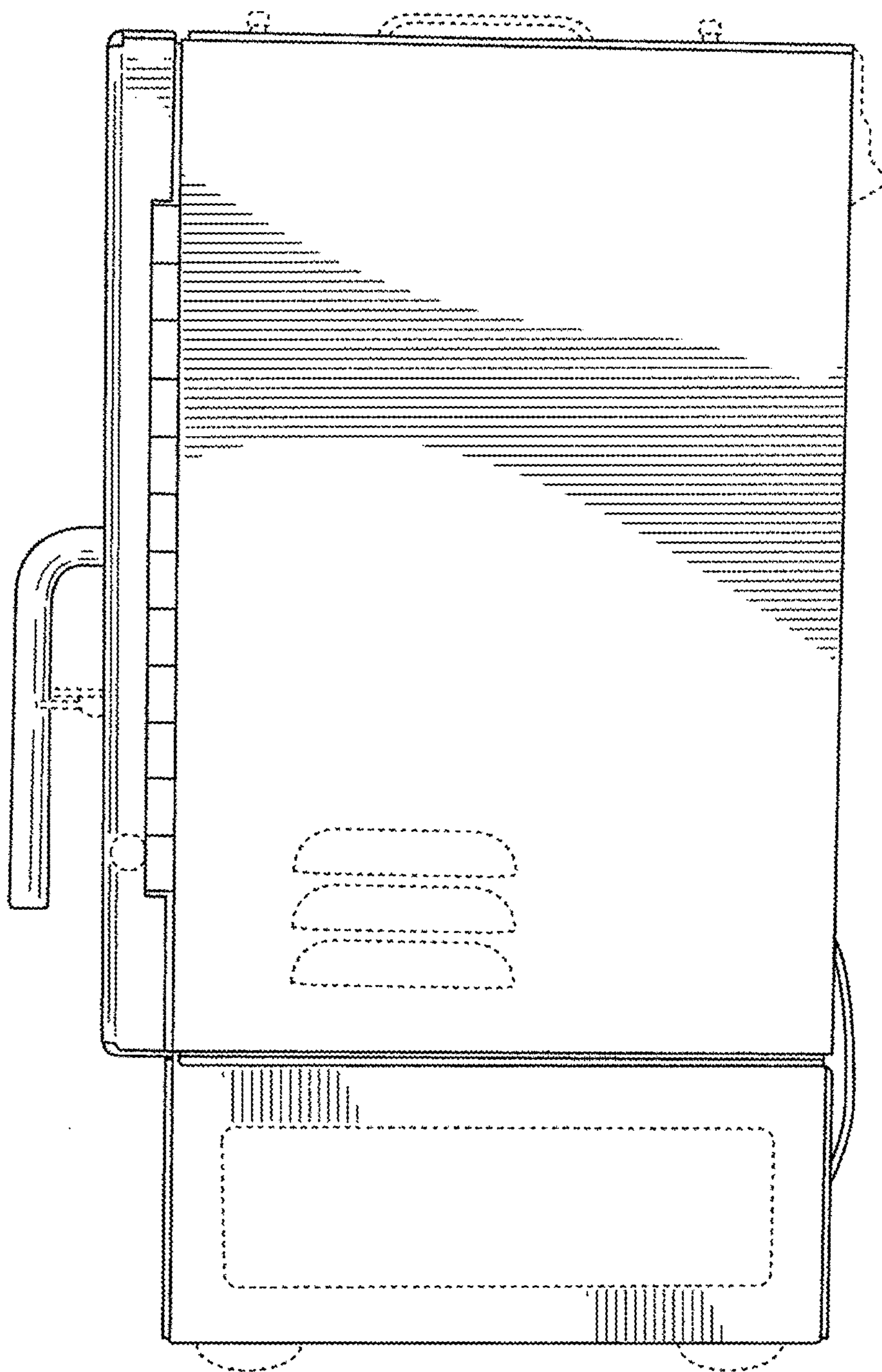


FIG. 3

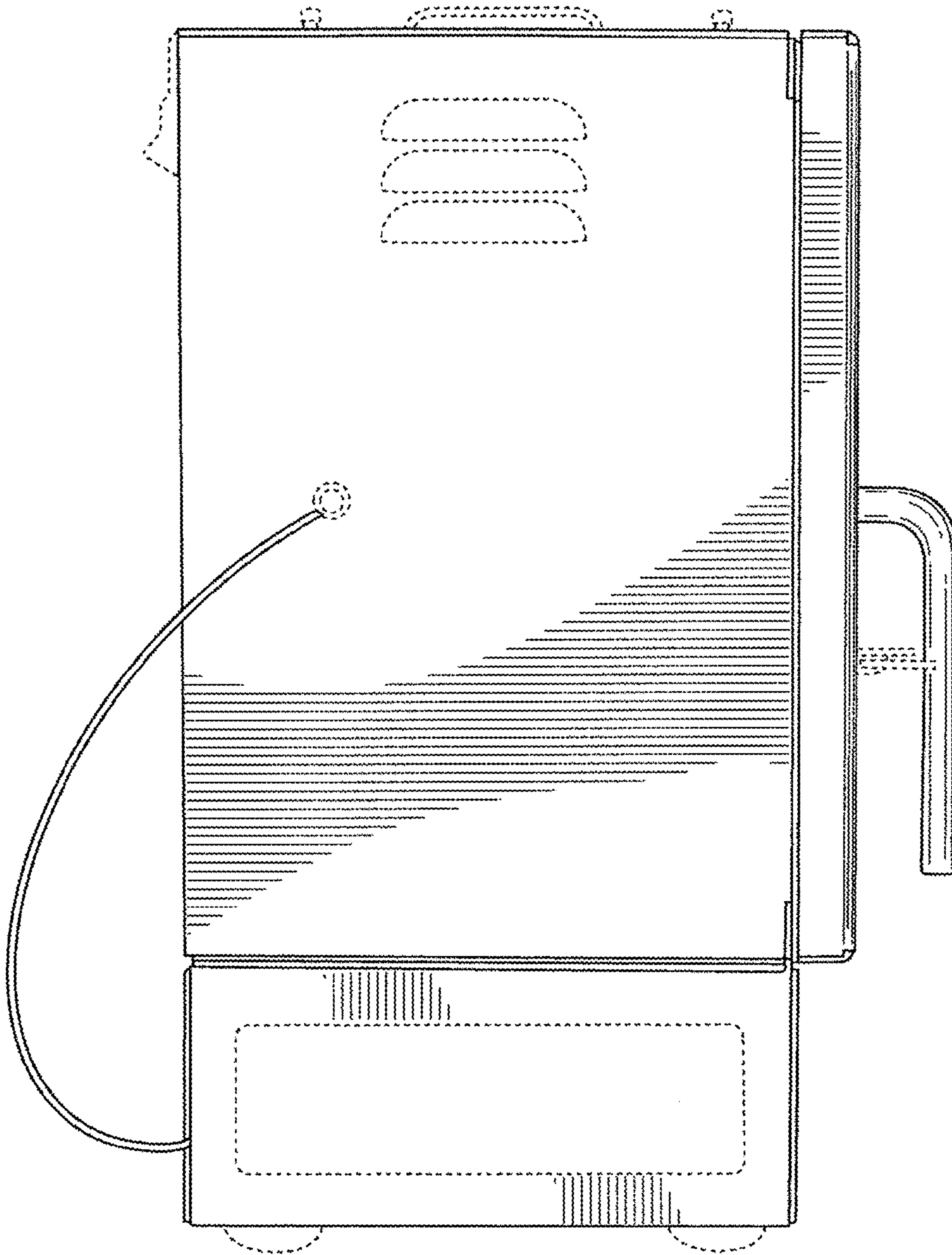


FIG. 4

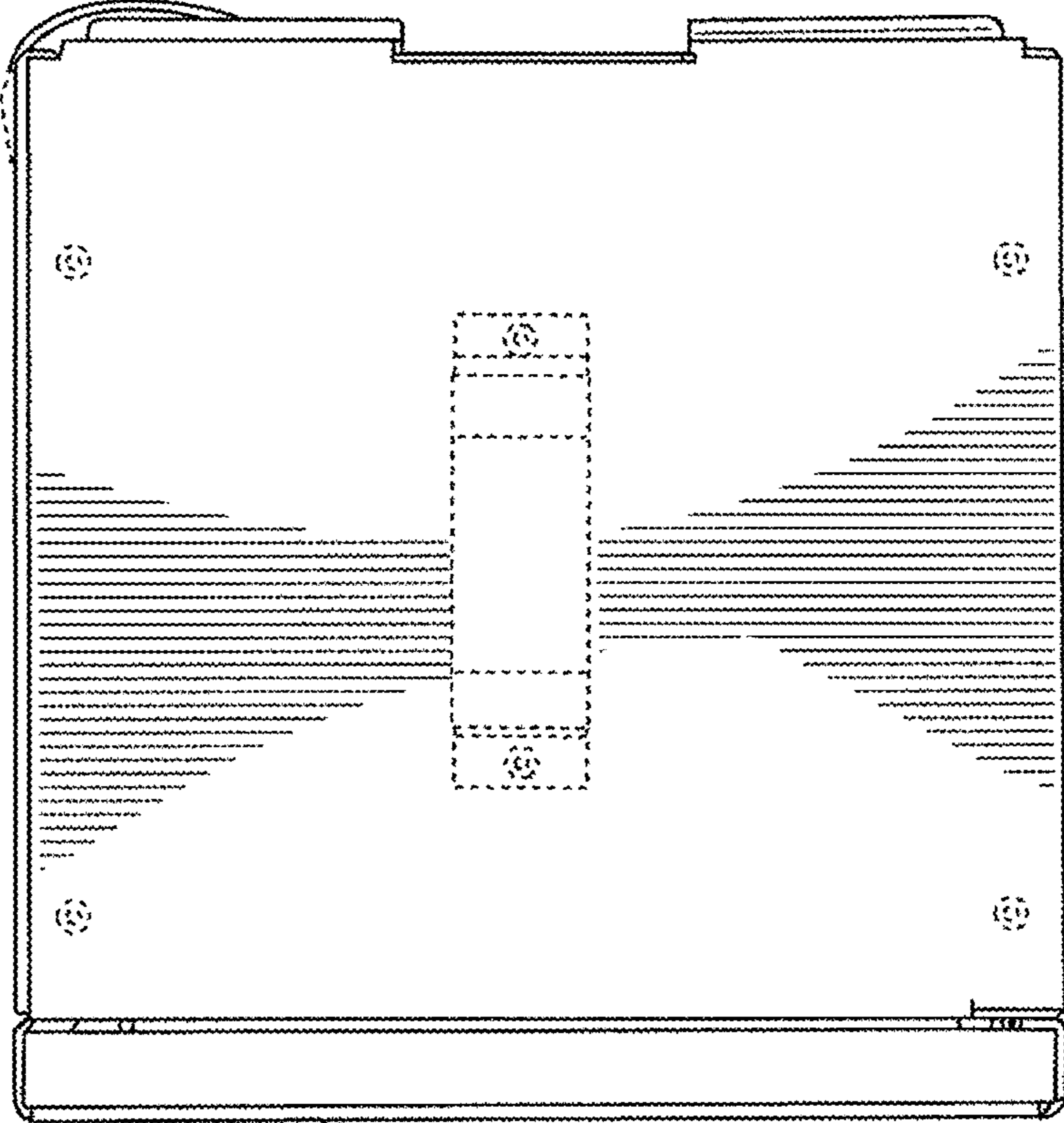


FIG. 5

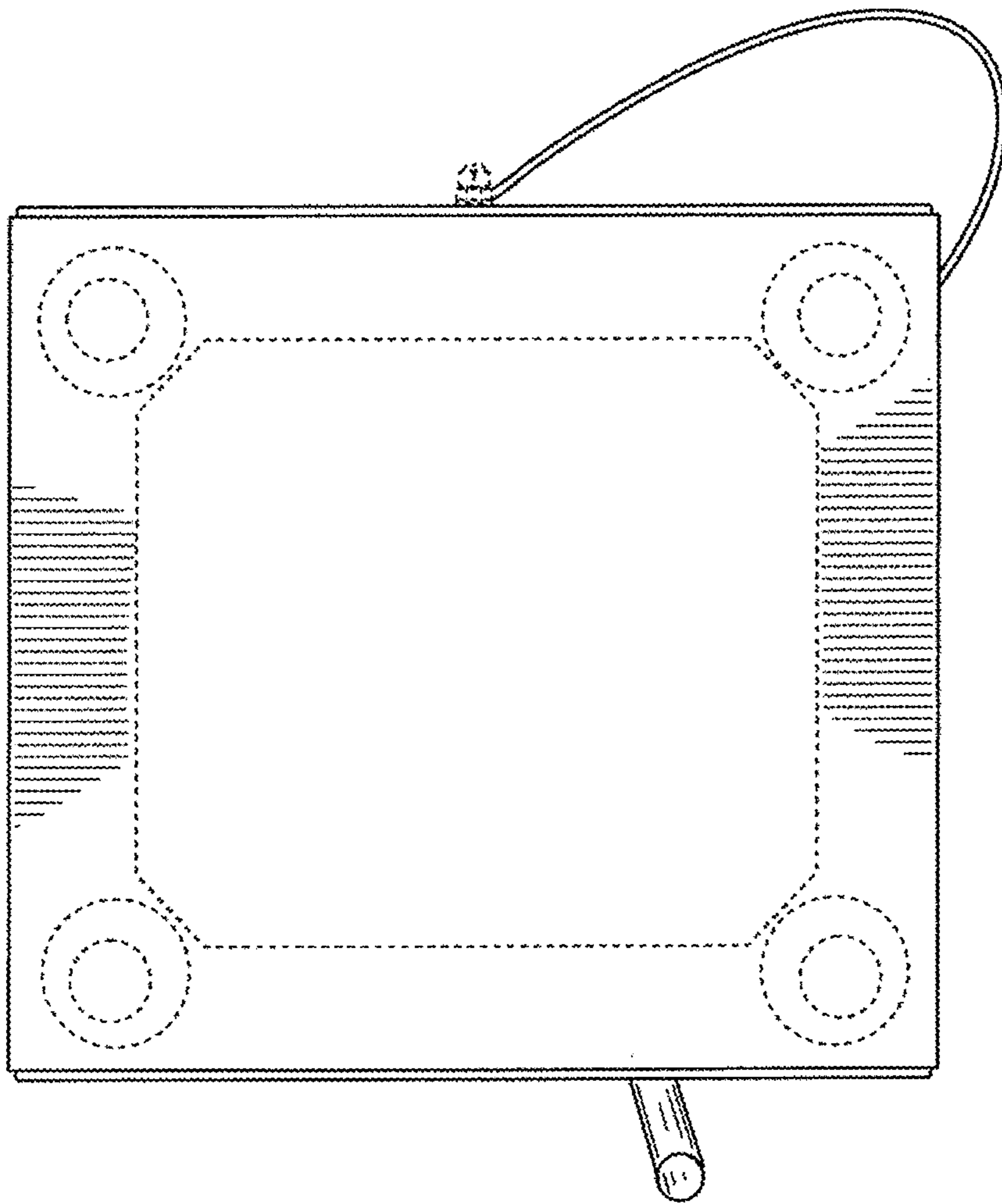


FIG. 6

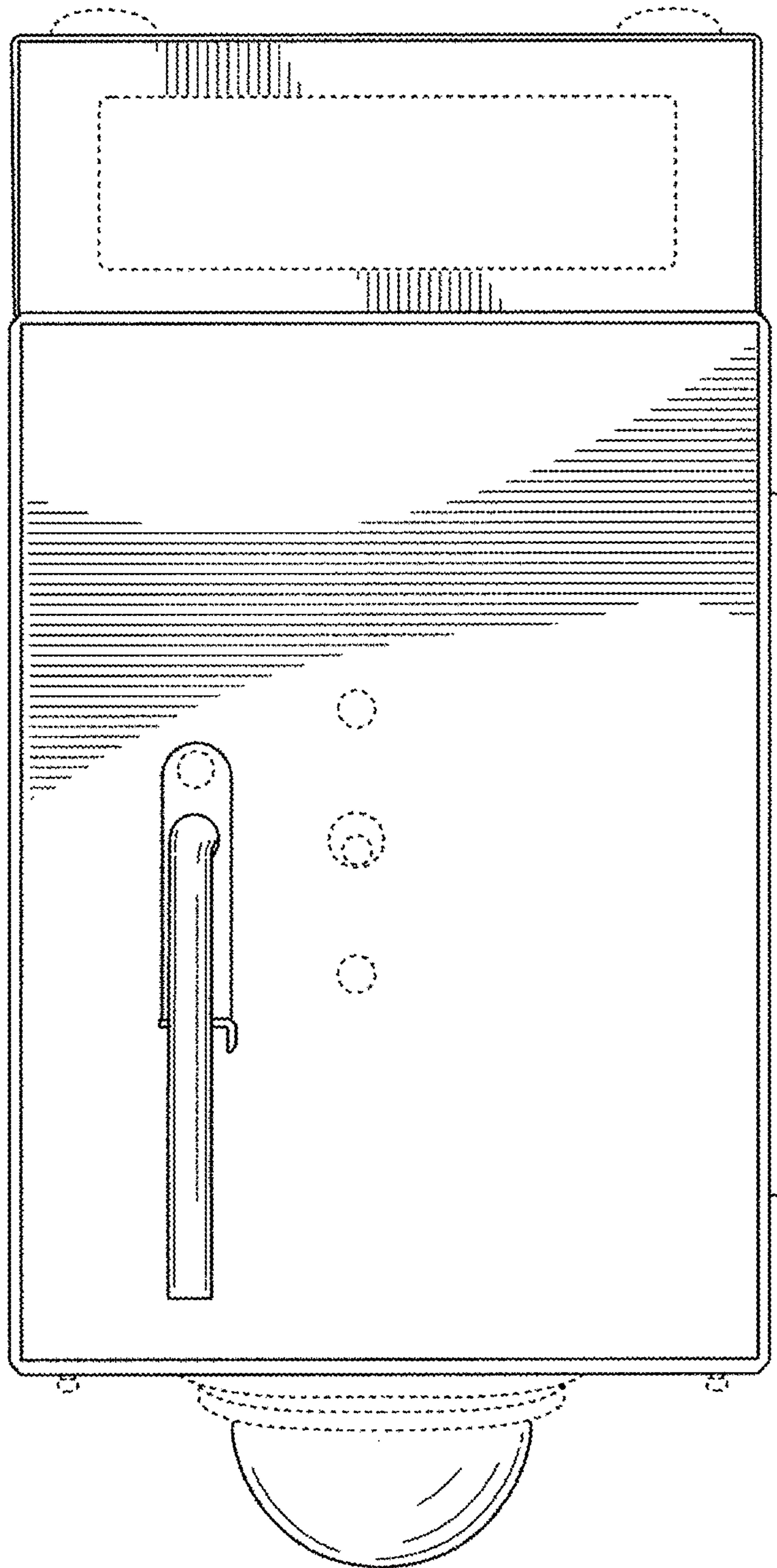


FIG. 7

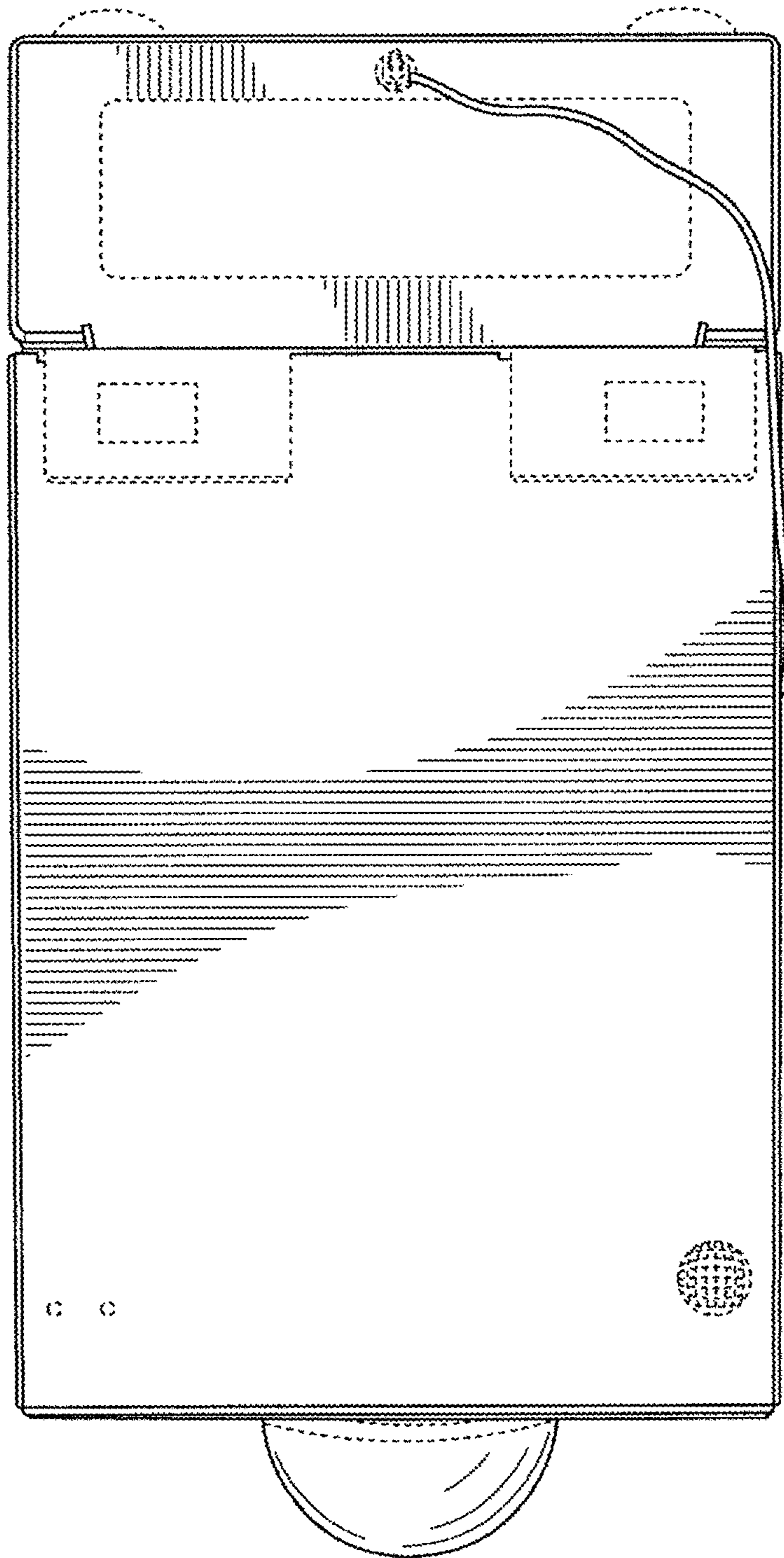


FIG. 8

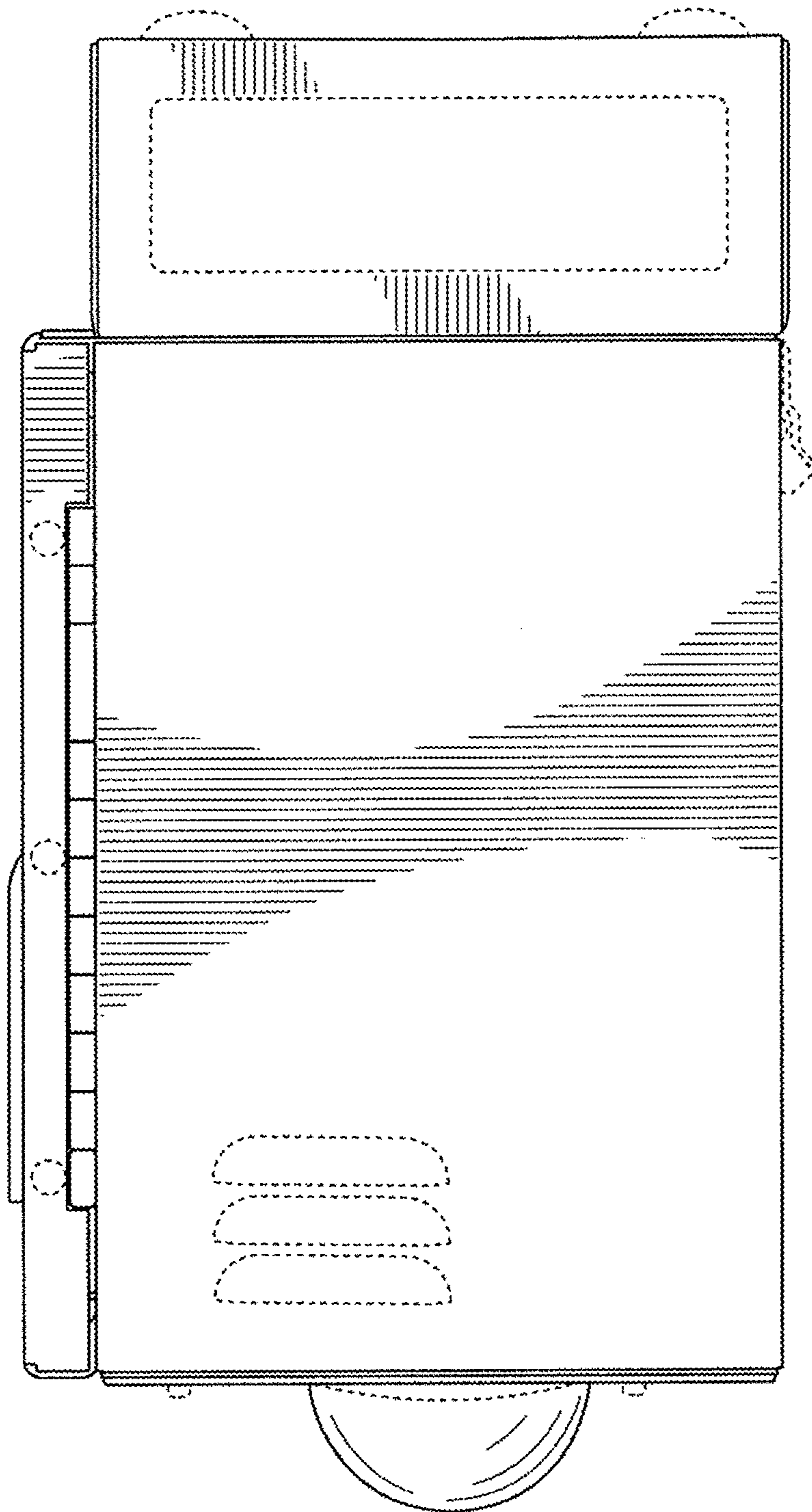


FIG. 9

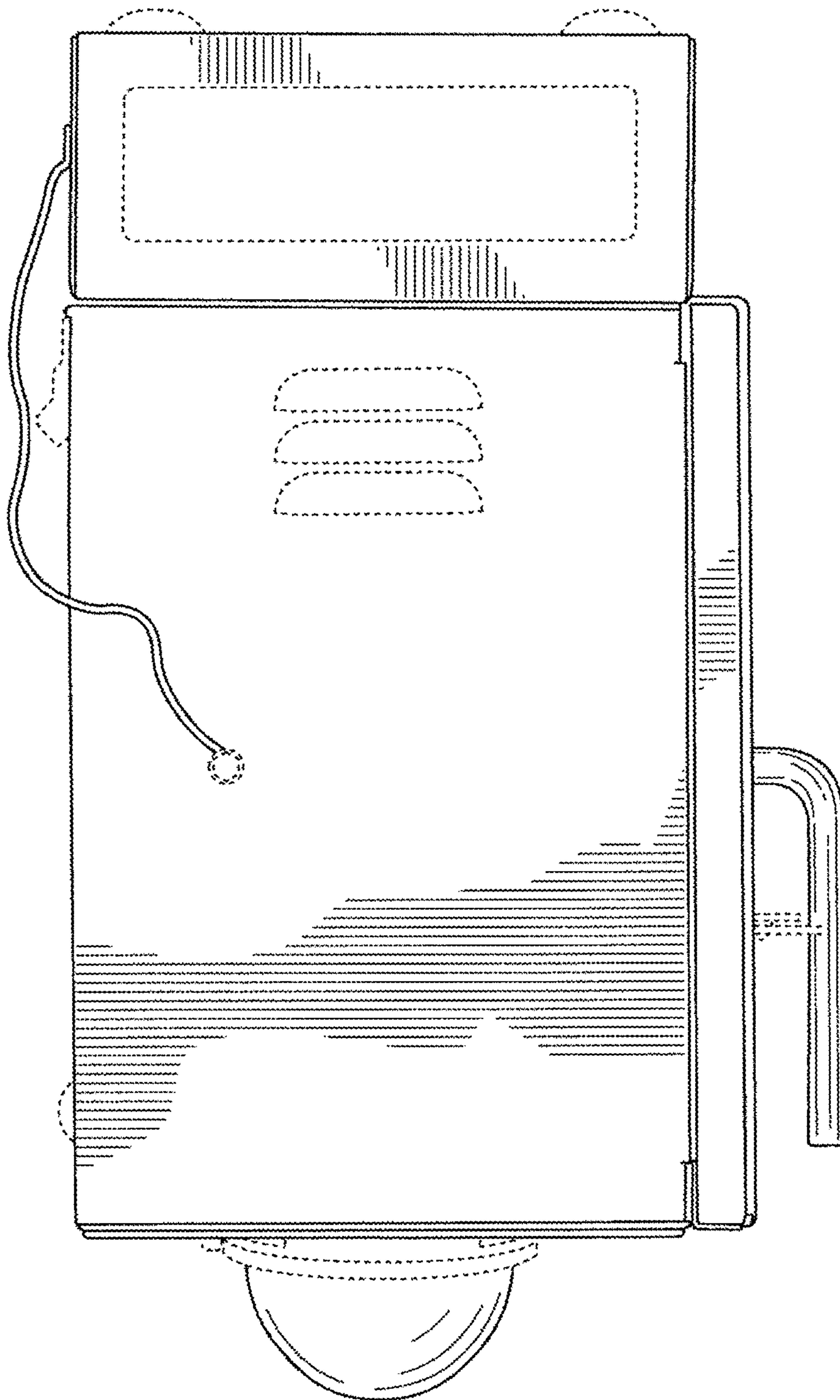


FIG. 10

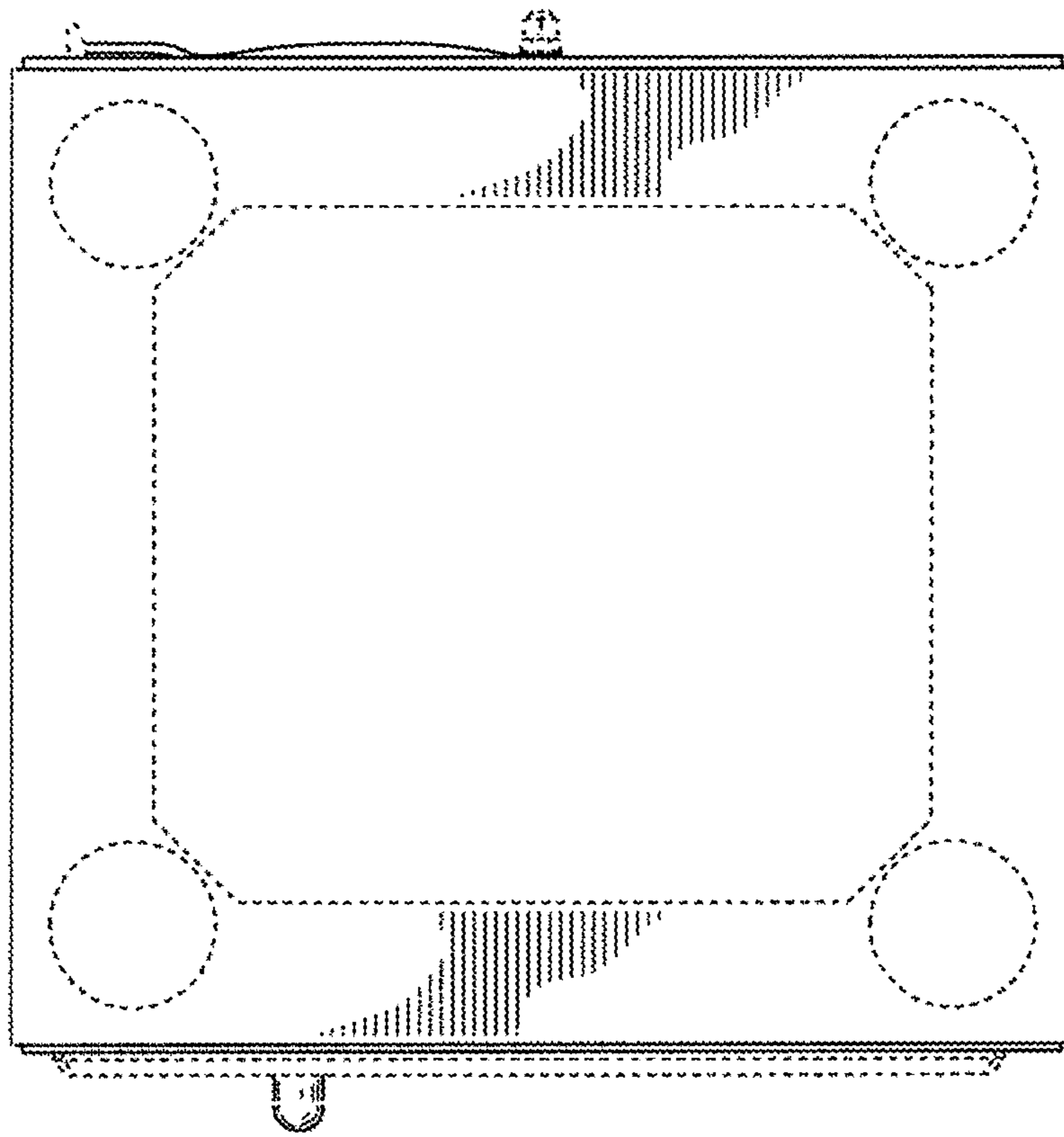


FIG. 11

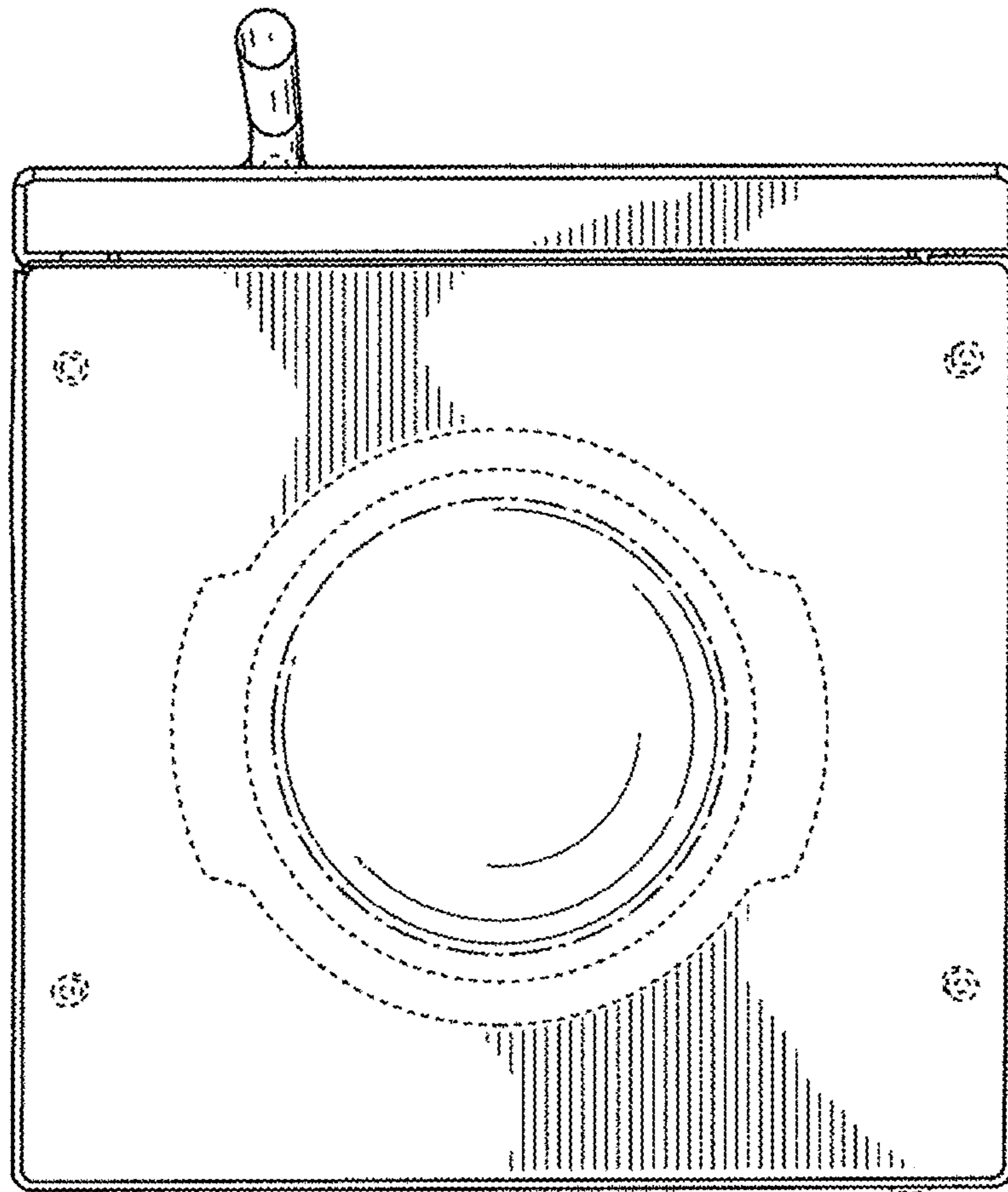


FIG. 12