



US00D752125S

(12) **United States Design Patent**
Arimoto et al.

(10) **Patent No.:** **US D752,125 S**
(45) **Date of Patent:** **** Mar. 22, 2016**

- (54) **CAMCORDER**
- (71) Applicant: **JVC KENWOOD Corporation**,
Yokohama-shi, Kanagawa (JP)
- (72) Inventors: **Takuya Arimoto**, Yokohama (JP); **Shuji Tanifuji**, Yokohama (JP)
- (73) Assignee: **JVC KENWOOD CORPORATION**,
Yokohama-Shi, Kanagawa (JP)
- (**) Term: **14 Years**
- (21) Appl. No.: **29/517,223**
- (22) Filed: **Feb. 11, 2015**
- (51) **LOC (10) Cl.** **16-01**
- (52) **U.S. Cl.**
USPC **D16/202**
- (58) **Field of Classification Search**
USPC D16/200, 202, 205, 206, 208, 218;
348/373–376; 358/906; 396/535, 536,
396/540
CPC G03B 17/00; G03B 17/02; H04N 5/2251;
H04N 5/2252; H04N 5/2253
See application file for complete search history.

- 6,434,325 B1 * 8/2002 Noda G11B 31/006
358/906
- D486,845 S * 2/2004 Oka D16/202
- D589,547 S * 3/2009 Yamada D16/202
- D622,300 S * 8/2010 Endo D16/202
- D679,306 S * 4/2013 Wu D16/202
- 8,503,877 B2 * 8/2013 Tachiki G03B 17/02
396/535
- D719,203 S * 12/2014 Horiki D16/202

* cited by examiner

Primary Examiner — Adir Aronovich
(74) *Attorney, Agent, or Firm* — Nath, Goldberg & Meyer;
Jerald L. Meyer

(57) **CLAIM**

The ornamental design for a camcorder, as shown and described.

DESCRIPTION

FIG. 1 is a front and right side perspective view of a camcorder showing my new design;
FIG. 2 is a right side elevational view thereof
FIG. 3 is a left side elevational view thereof;
FIG. 4 is a front elevational view thereof;
FIG. 5 is a rear elevational view thereof;
FIG. 6 is a top plan view thereof; and,
FIG. 7 is bottom plan view thereof.
The broken lines in the drawings are shown to illustrate portions of a camcorder in which the design is embodied and form no part of the claimed design.

1 Claim, 7 Drawing Sheets

- (56) **References Cited**
U.S. PATENT DOCUMENTS
4,623,931 A * 11/1986 Inaga H04N 5/23212
348/374
D404,748 S * 1/1999 Miyashita D16/202
D431,041 S * 9/2000 Sekine D16/202

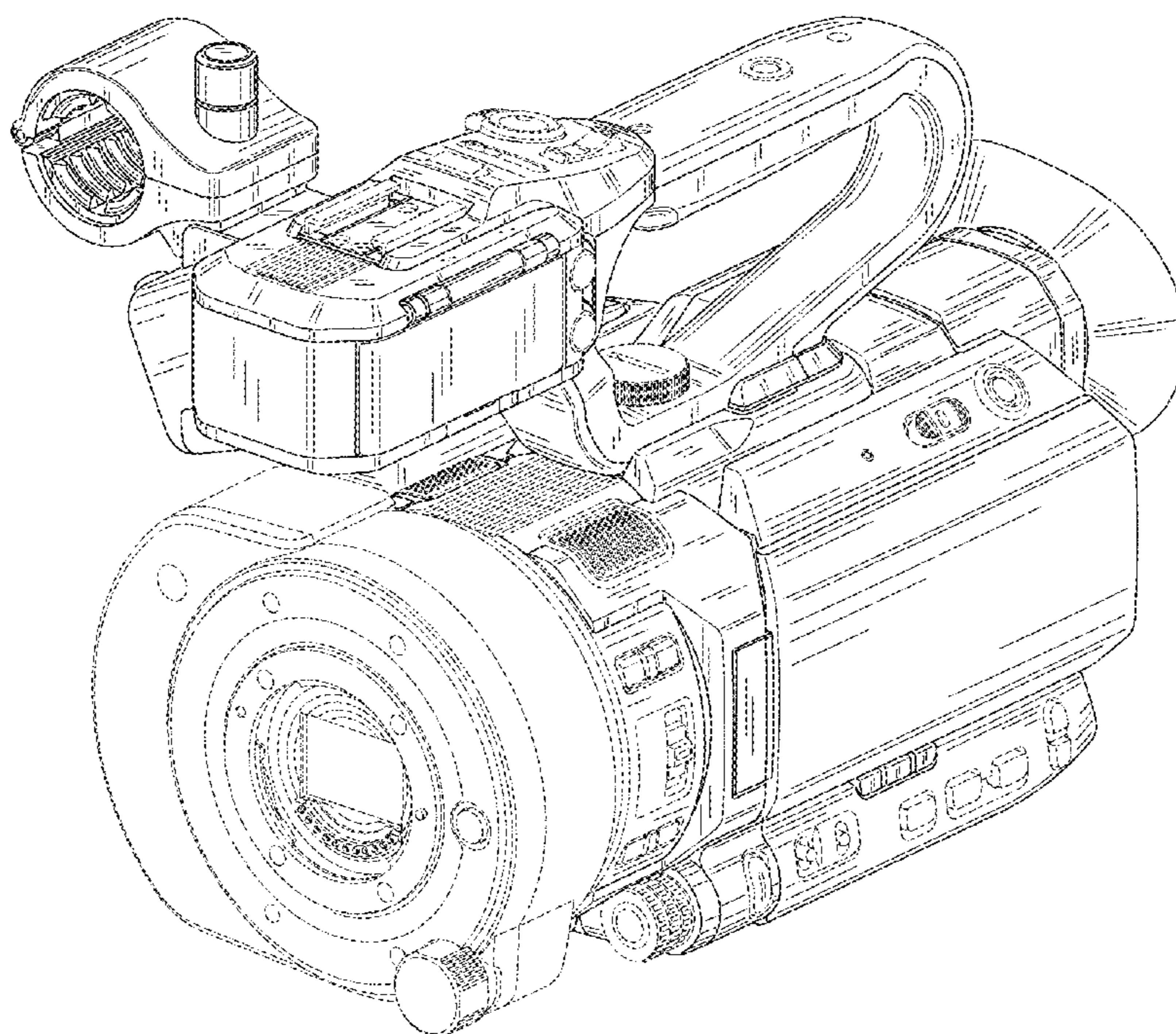
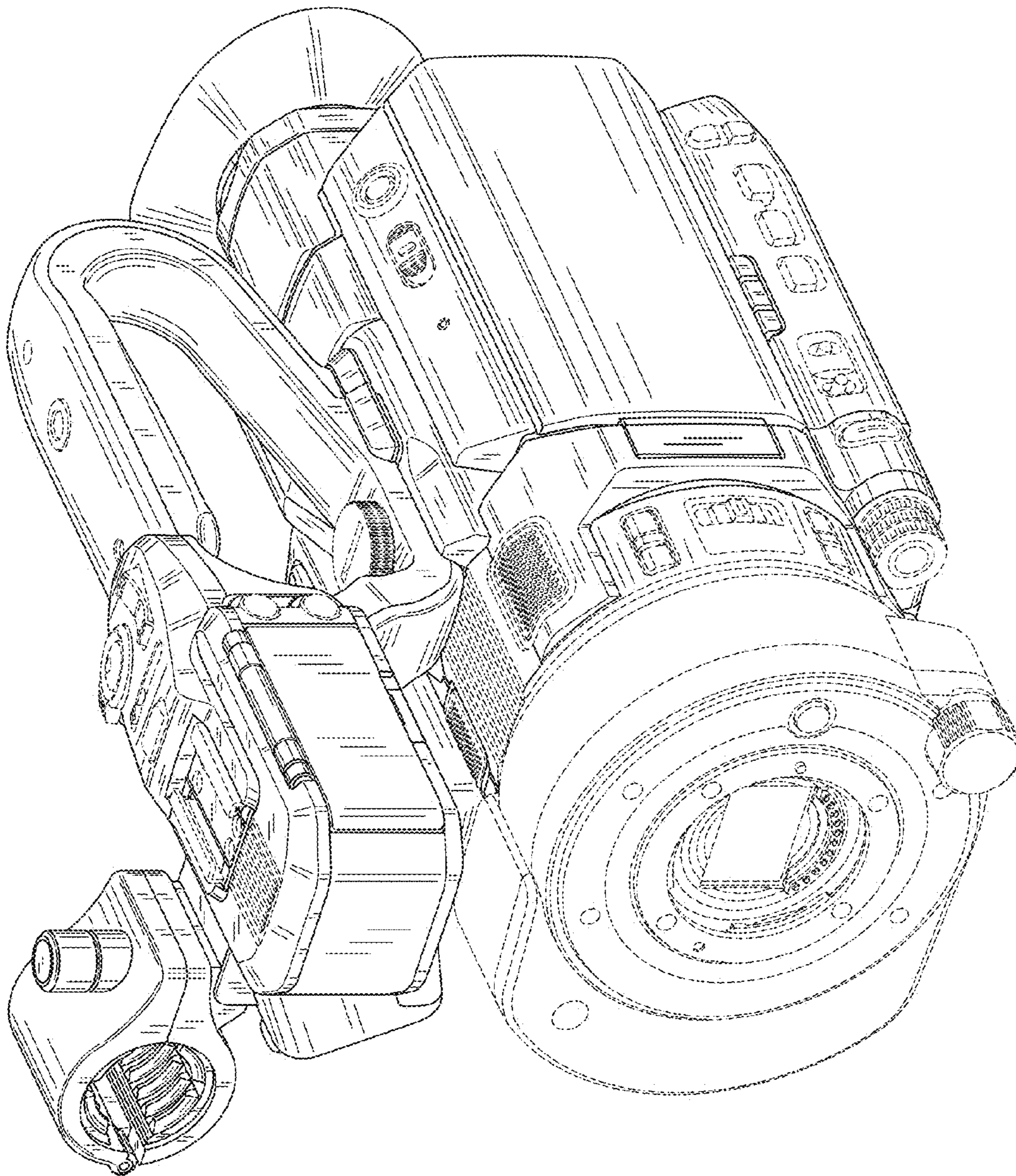


Fig. 1



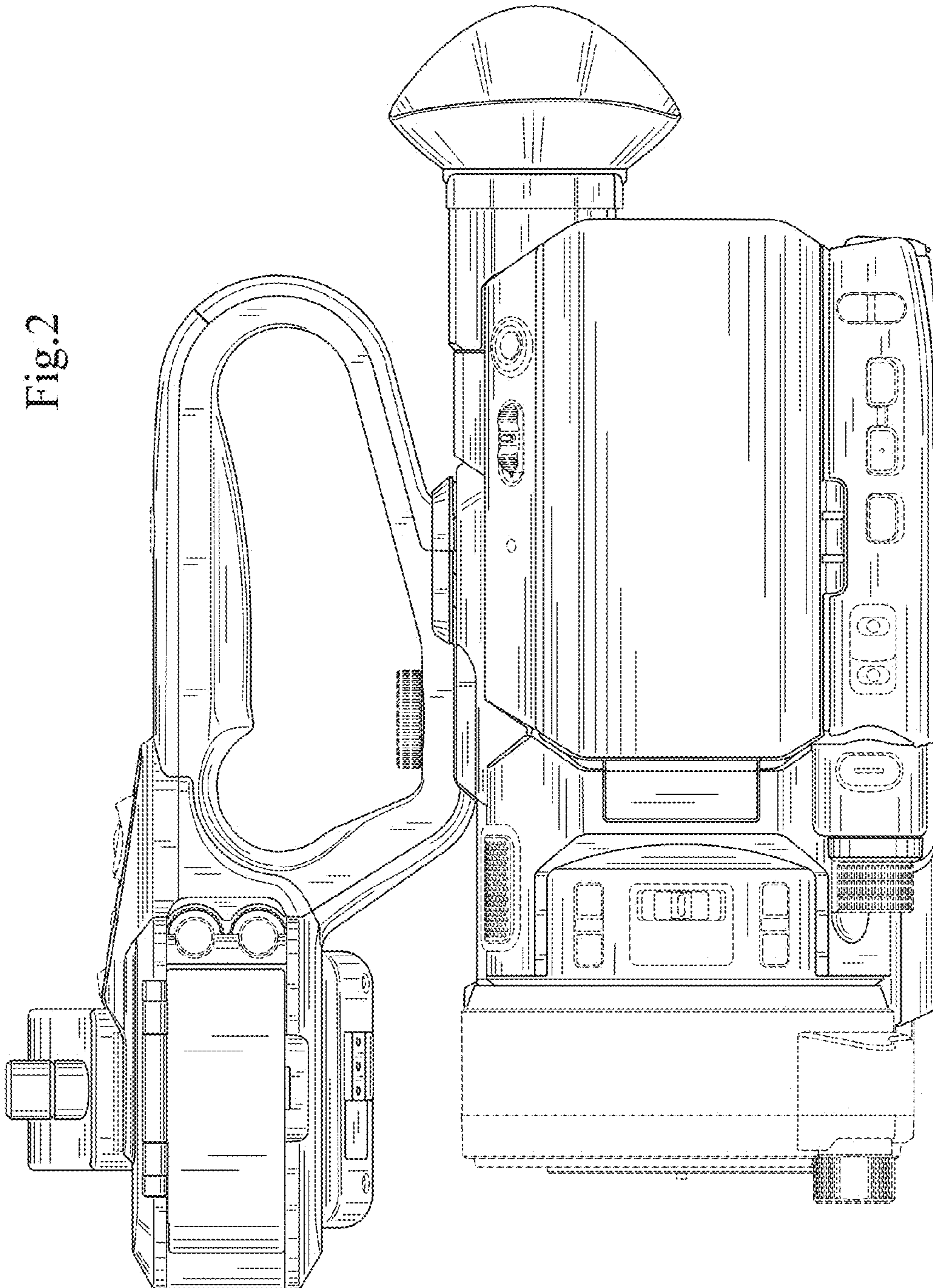


Fig.2

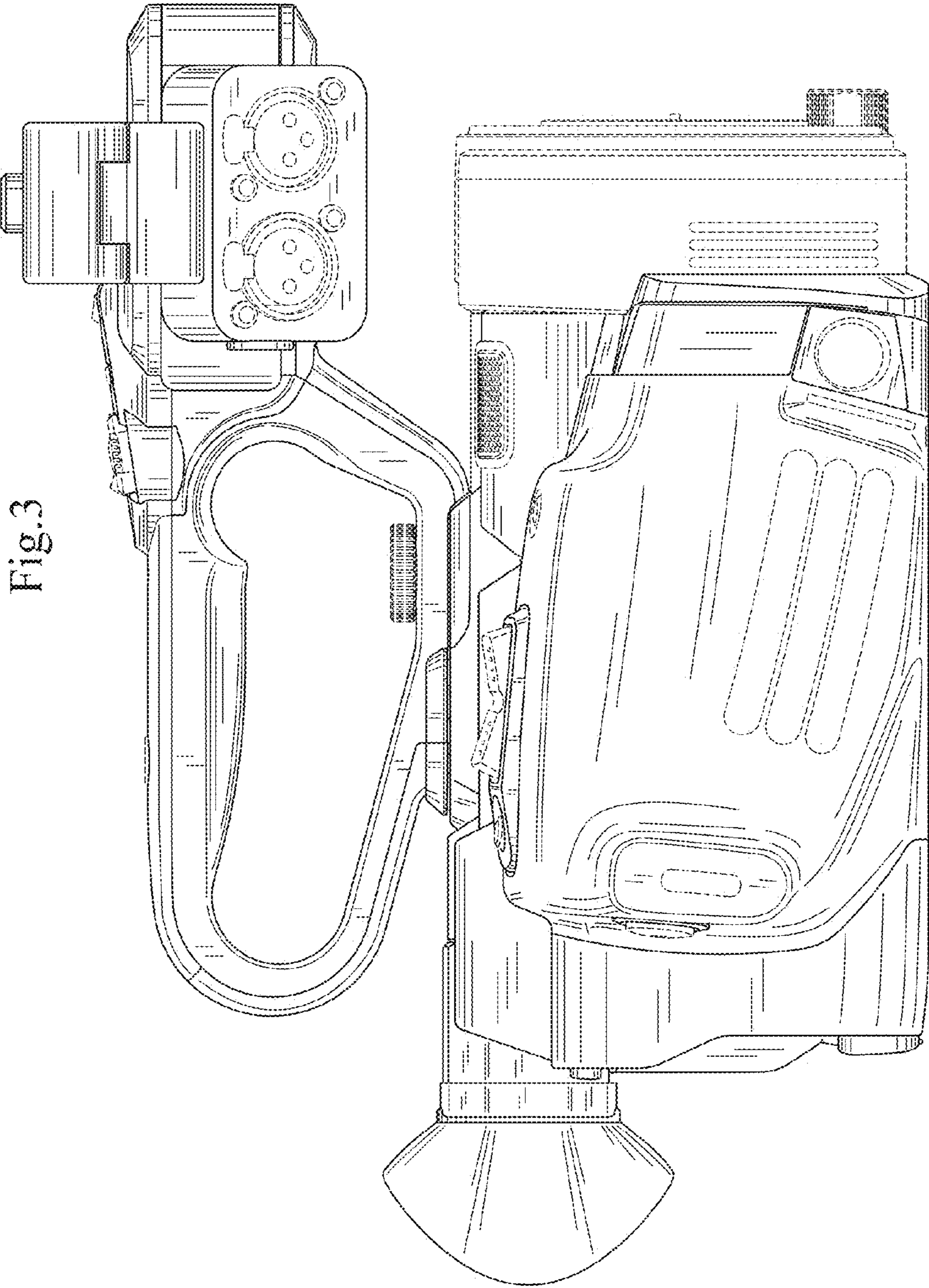


Fig.3

Fig.4

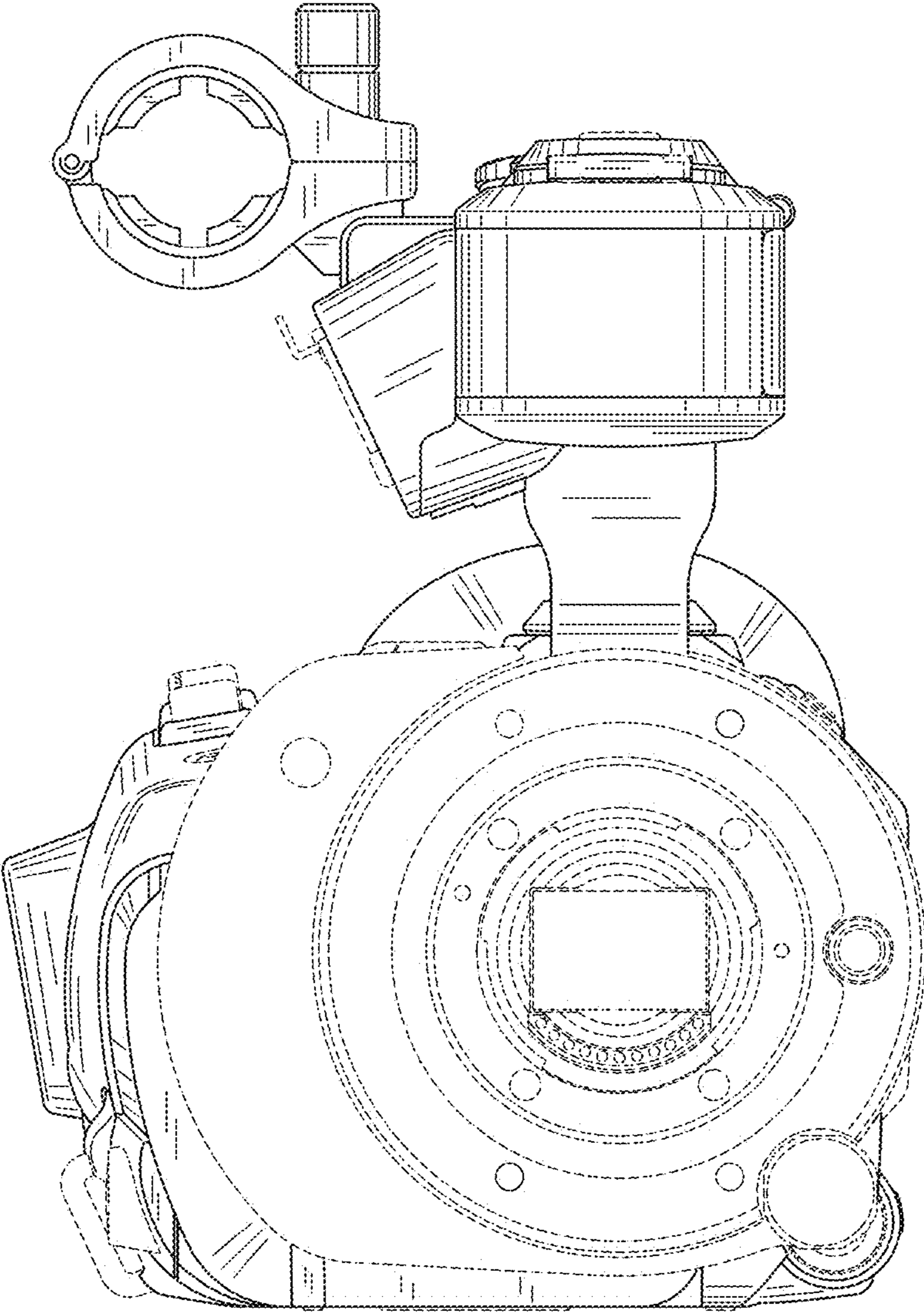


Fig.5

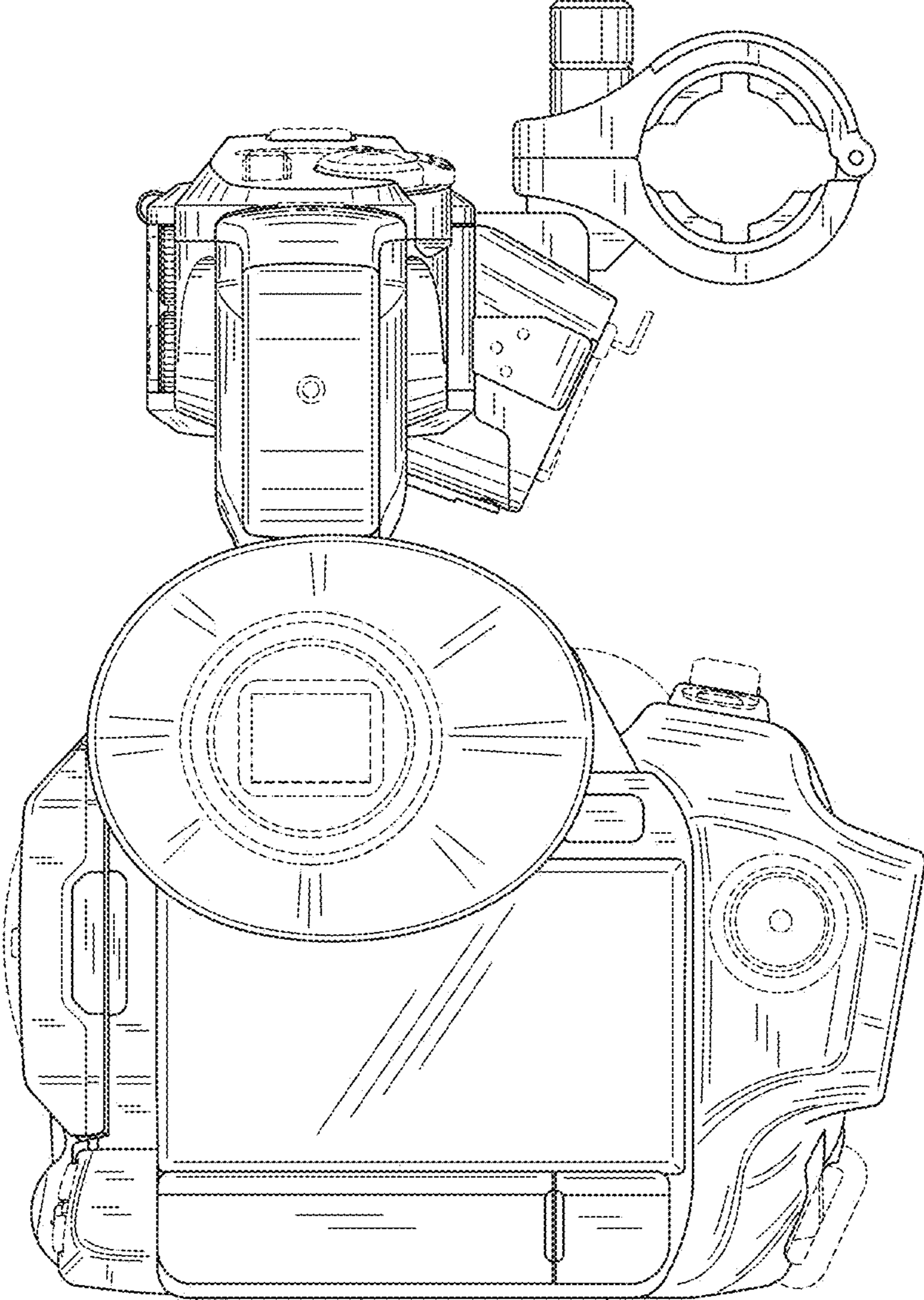


Fig.6

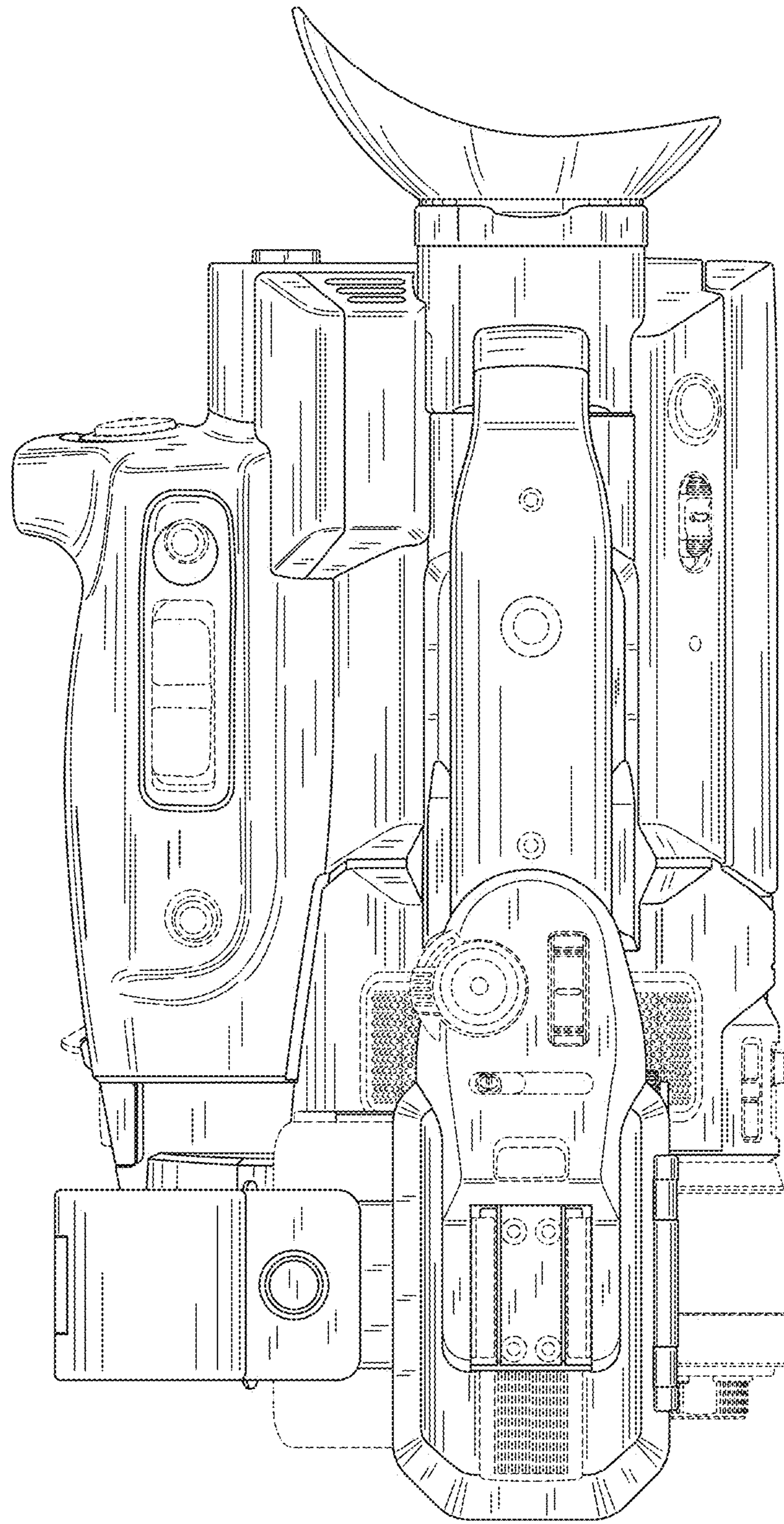


Fig. 7

