

US00D752122S

(12) **United States Design Patent**
Randløv

(10) **Patent No.:** **US D752,122 S**
(45) **Date of Patent:** **** Mar. 22, 2016**

(54) **MOTOR HOUSING FOR A LINEAR ACTUATOR**

(71) Applicant: **LINAK A/S**, Nordborg (DK)

(72) Inventor: **Michael L. Randløv**, Vojens (DK)

(73) Assignee: **Linak A/S**, Nordborg (DK)

(**) Term: **14 Years**

(21) Appl. No.: **29/525,267**

(22) Filed: **Apr. 28, 2015**

Related U.S. Application Data

(62) Division of application No. 29/469,853, filed on Oct. 15, 2013, now Pat. No. Des. 738,413.

(30) **Foreign Application Priority Data**

Apr. 13, 2013 (DK) DA 2013 00029

(51) **LOC (10) Cl.** **15-09**

(52) **U.S. Cl.**
USPC **D15/143**; D15/199

(58) **Field of Classification Search**
USPC D15/1-6, 143, 199; D13/184, 199;
310/83, 10, 89, 12.25; 74/89.2, 16;
384/17; 91/41; 403/403; 312/319.8;
108/20

See application file for complete search history.

(56) **References Cited**

U.S. PATENT DOCUMENTS

6,400,047 B1 * 6/2002 Hartrampf F15B 15/14
310/12.27
6,505,543 B2 * 1/2003 Maffeis F01B 9/00
474/148
7,495,359 B2 * 2/2009 Klinke A47B 9/04
310/51
D703,156 S * 4/2014 Parsons D13/164

2001/0035090 A1 * 11/2001 Sato F15B 15/224
91/394
2003/0005785 A1 * 1/2003 Ung F16H 25/2418
74/89.4
2009/0071271 A1 * 3/2009 Nielsen A47B 9/04
74/89.2
2009/0183940 A1 * 7/2009 Sekine B62D 5/0406
180/443
2009/0295325 A1 * 12/2009 Sekine B62D 5/0406
318/646
2012/0248910 A1 * 10/2012 Randlov A47B 9/04
310/83
2013/0313907 A1 * 11/2013 Wu H01M 10/48
307/66
2014/0091645 A1 * 4/2014 Nakagawa H02K 41/035
310/12.25
2014/0133787 A1 * 5/2014 Ishibashi F16C 29/0607
384/17
2014/0298980 A1 * 10/2014 Cyren F16H 25/2015
91/41

* cited by examiner

Primary Examiner — T. Chase Nelson

Assistant Examiner — Ania Aman

(74) *Attorney, Agent, or Firm* — Dykema Gossett PLLC

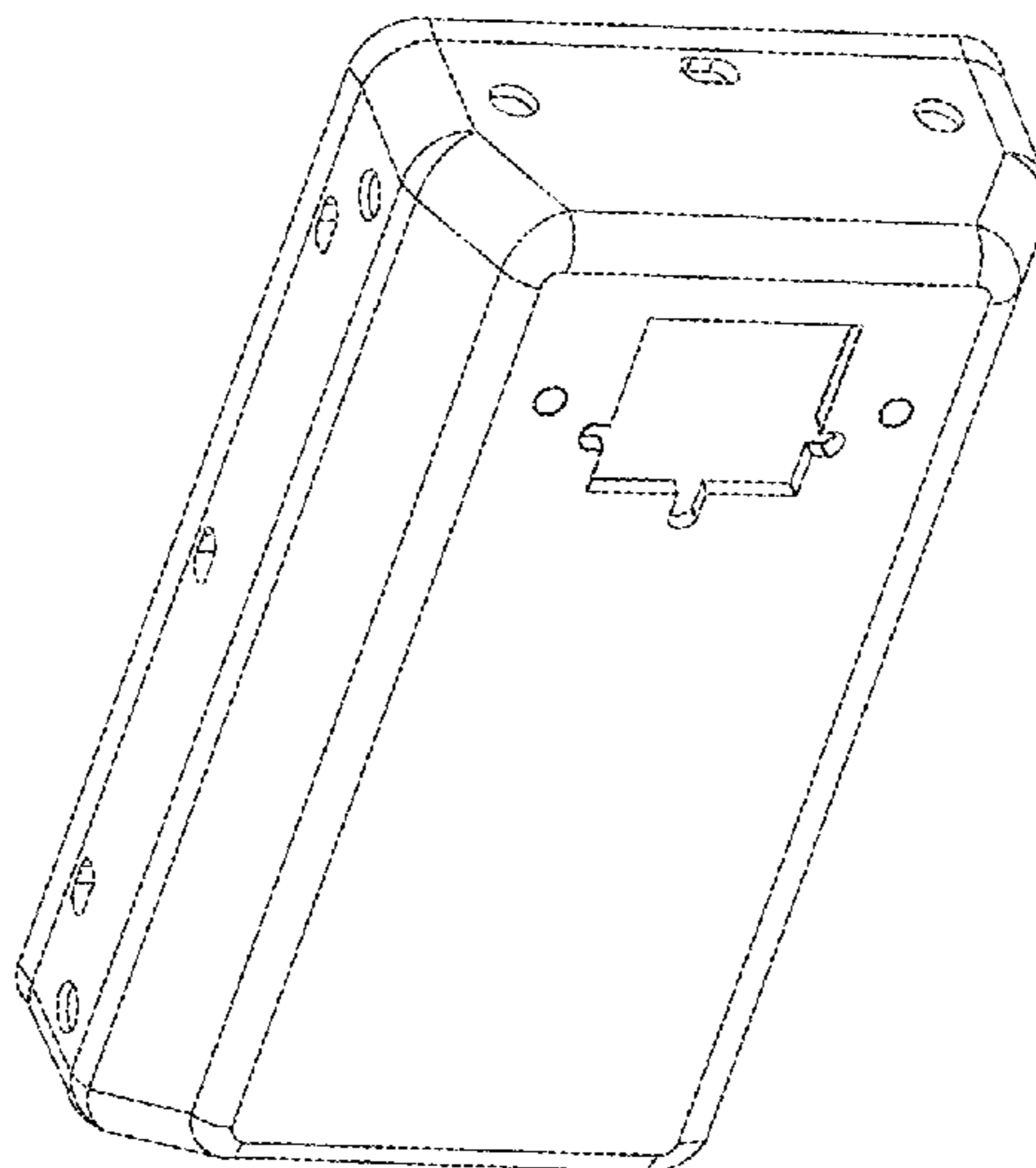
(57) **CLAIM**

The ornamental design of a motor housing for a linear actuator, as shown and described.

DESCRIPTION

FIG. 1 is a perspective bottom view of a motor housing for a linear actuator showing my new and ornamental design, FIG. 2 is a perspective top view thereof, FIG. 3 is a perspective top view similar to FIG. 2 with the cover removed, FIG. 4 is a top plan view thereof with the cover removed, FIG. 5 is a bottom plan view thereof, FIG. 6 is a left side view thereof, FIG. 7 is a right side view thereof, FIG. 8 is a rear end view thereof; and, FIG. 9 is a front end view thereof.

1 Claim, 4 Drawing Sheets



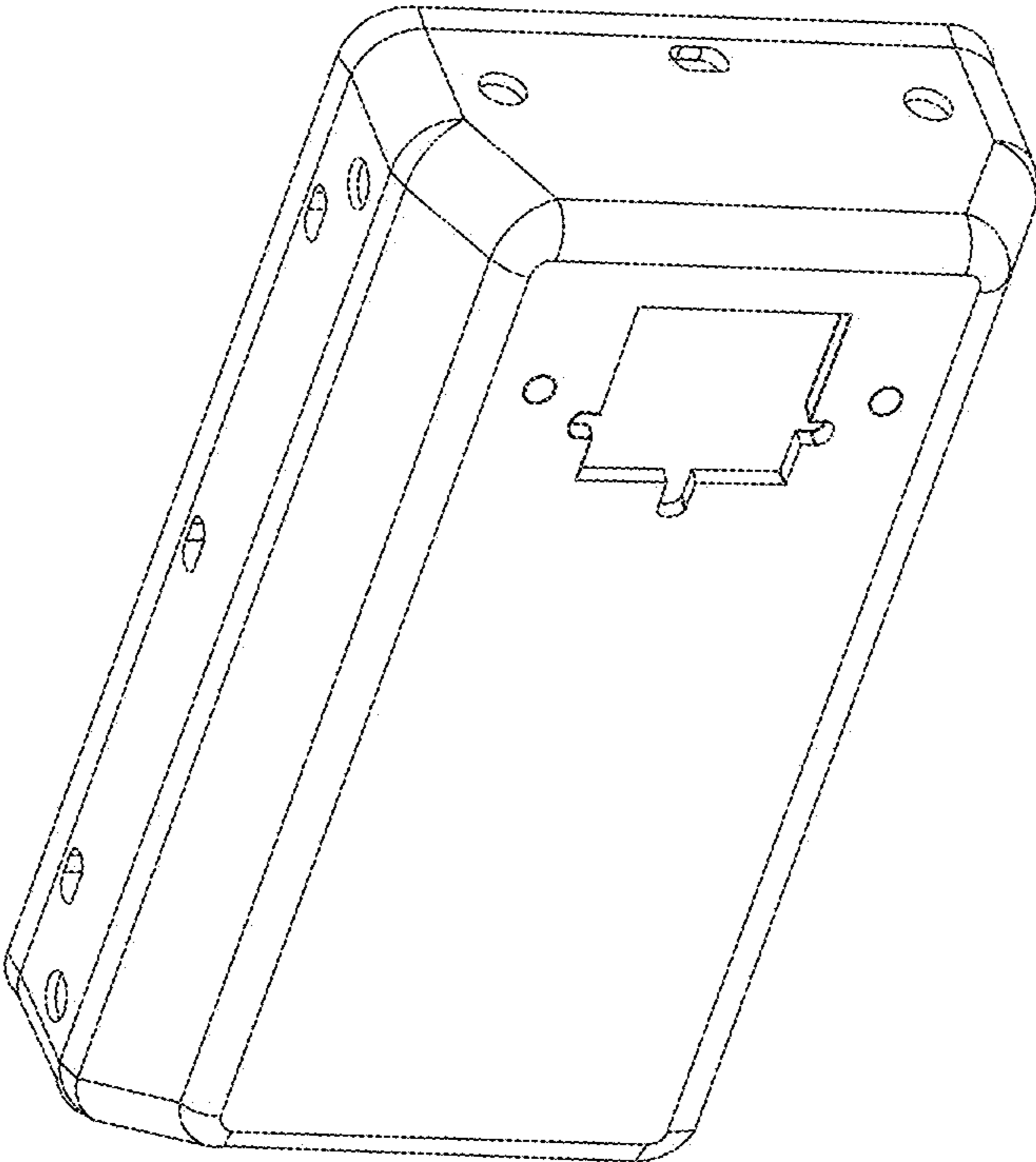


FIG. 1

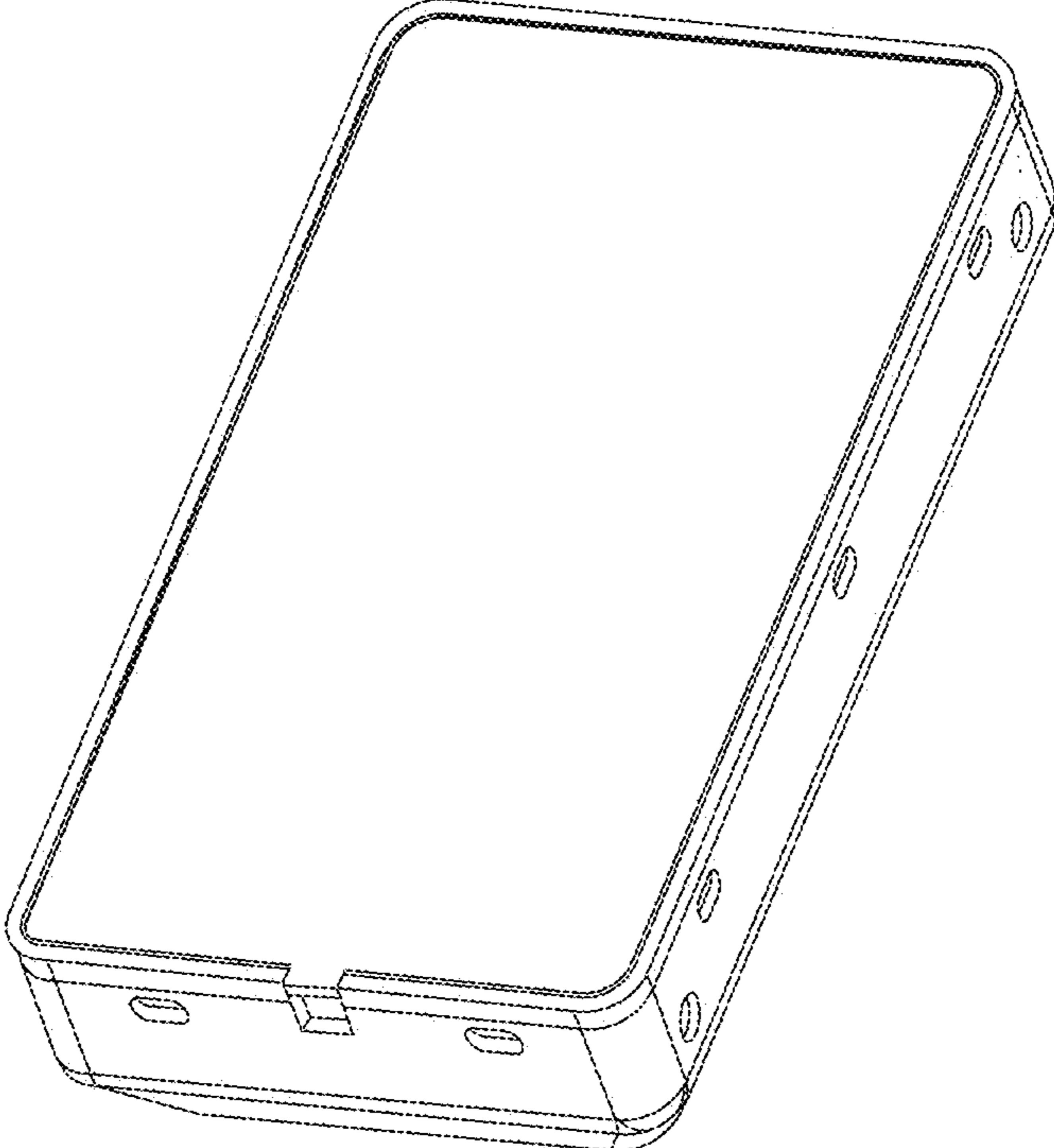


FIG. 2

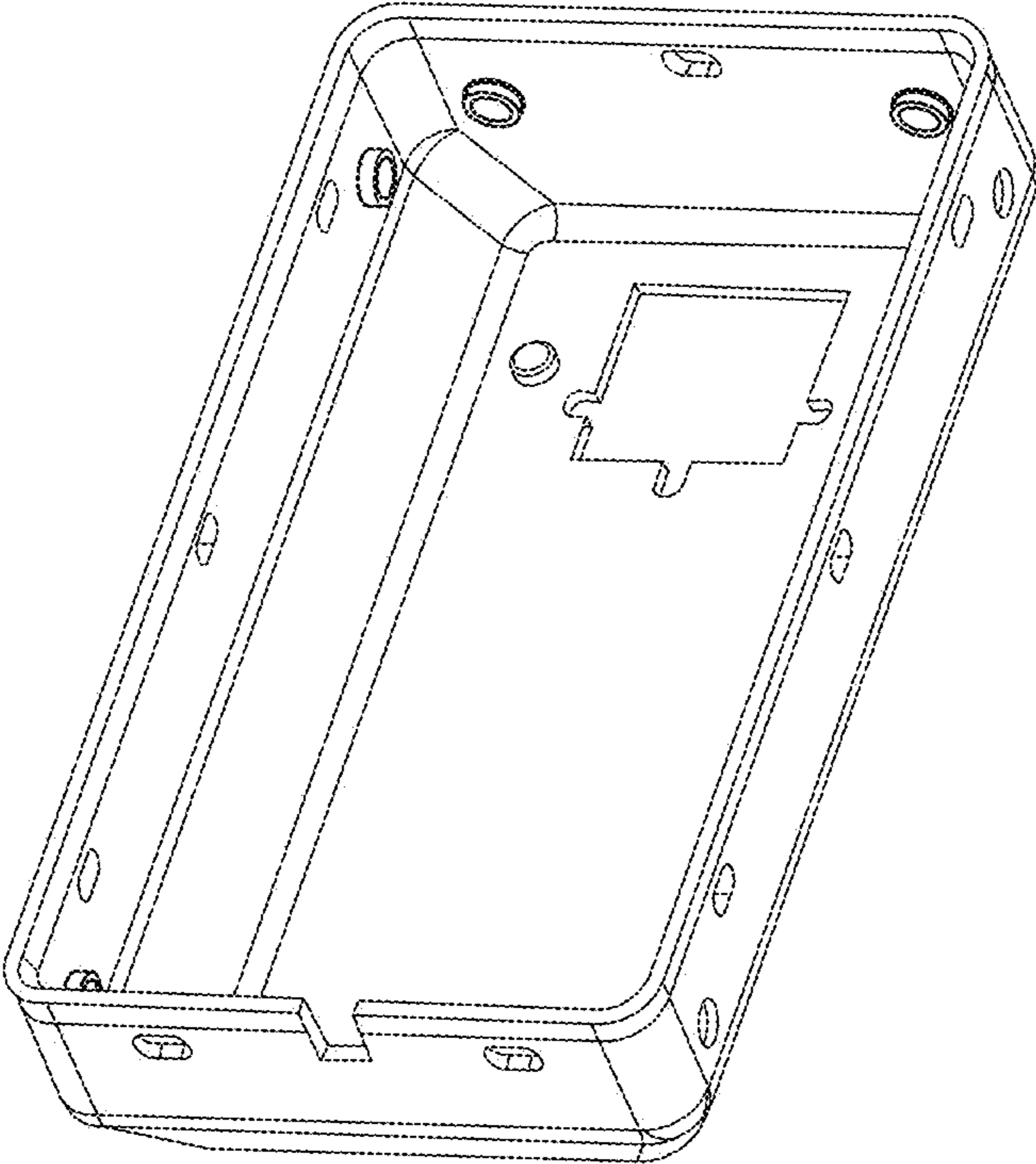


FIG. 3

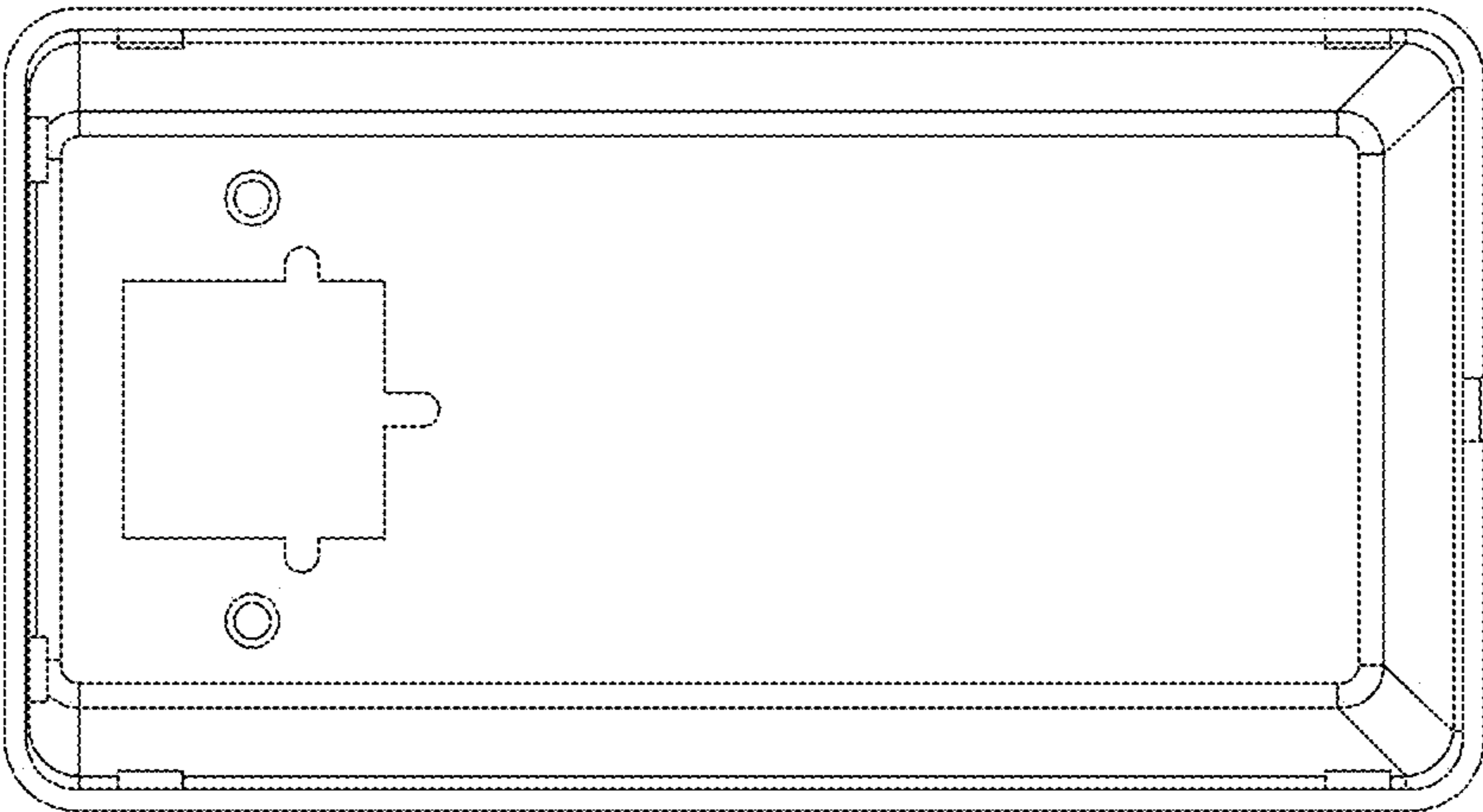


FIG. 4

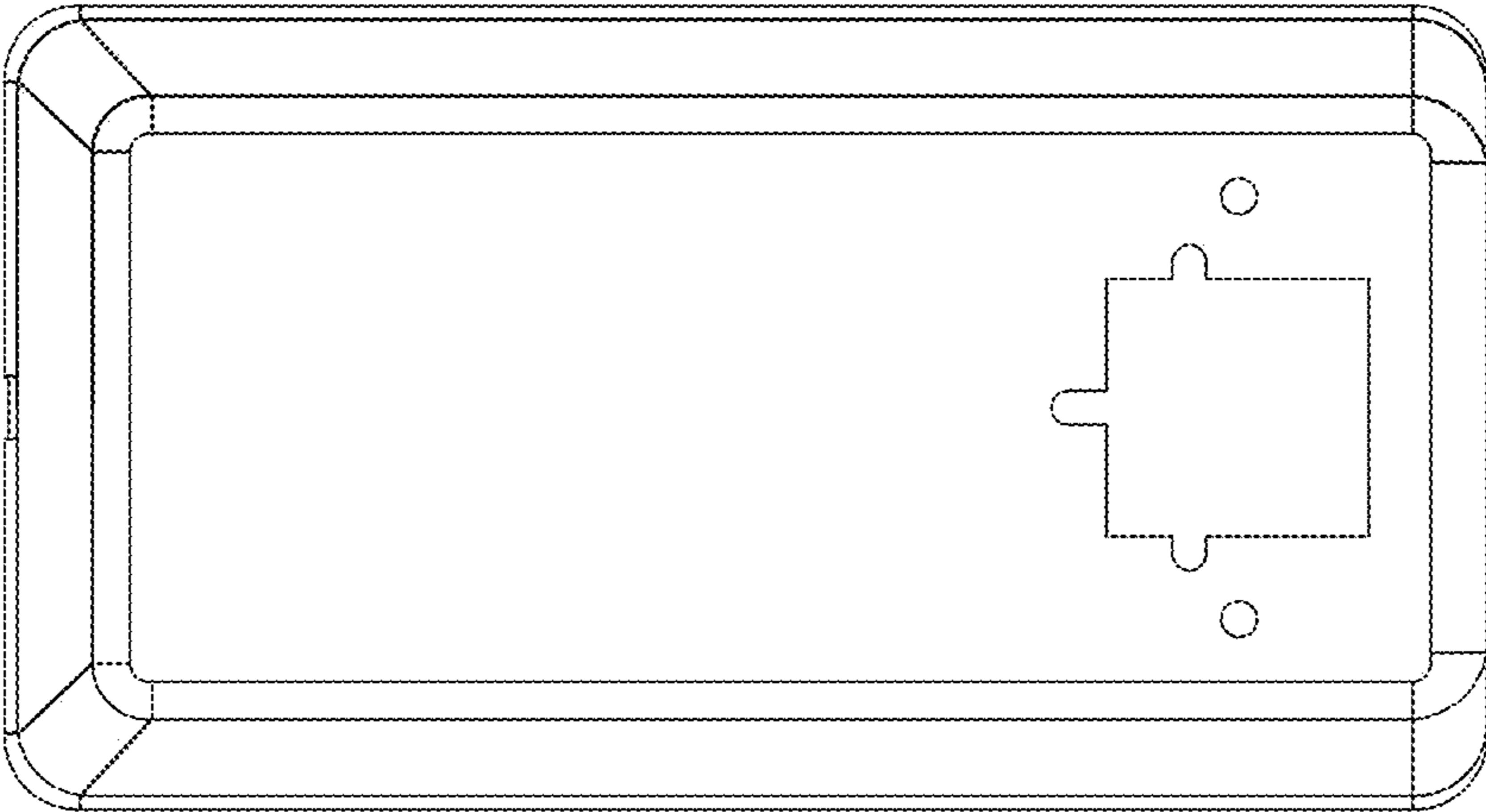


FIG. 5

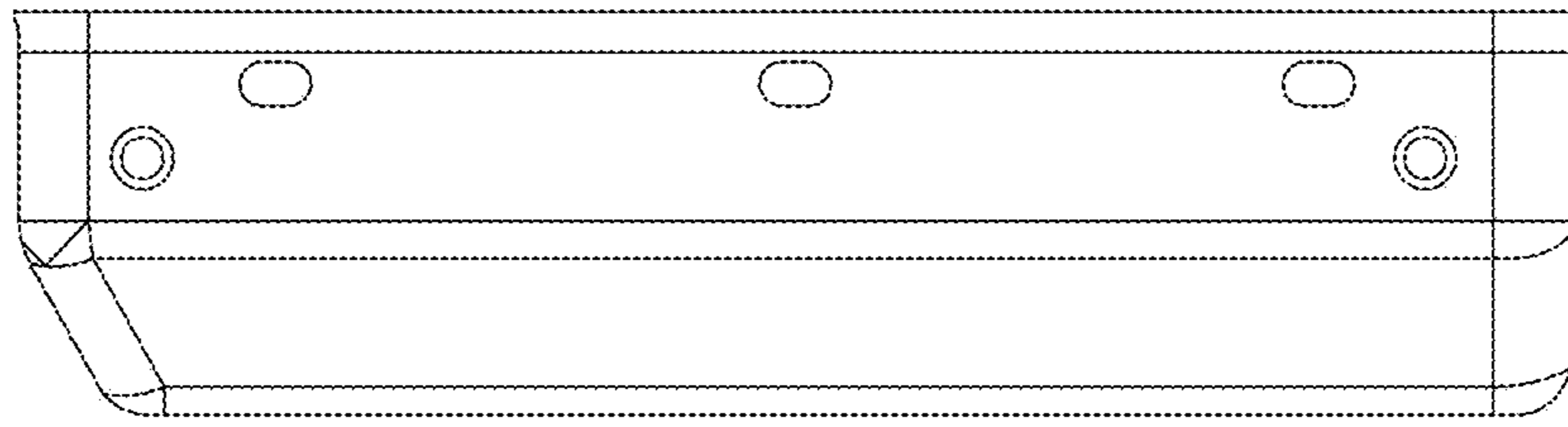


FIG. 6

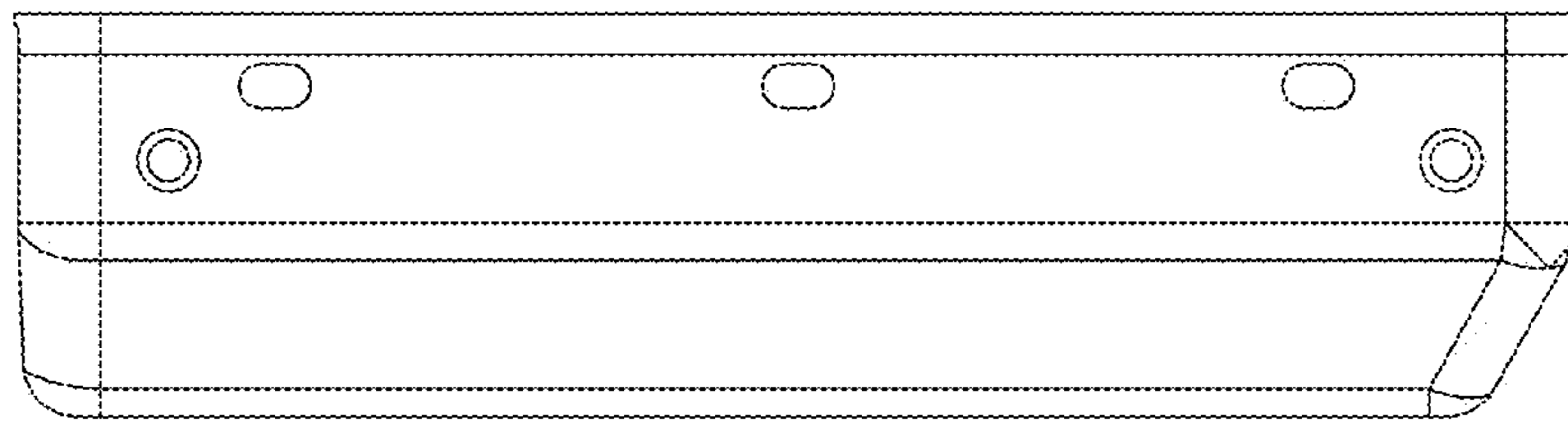


FIG. 7

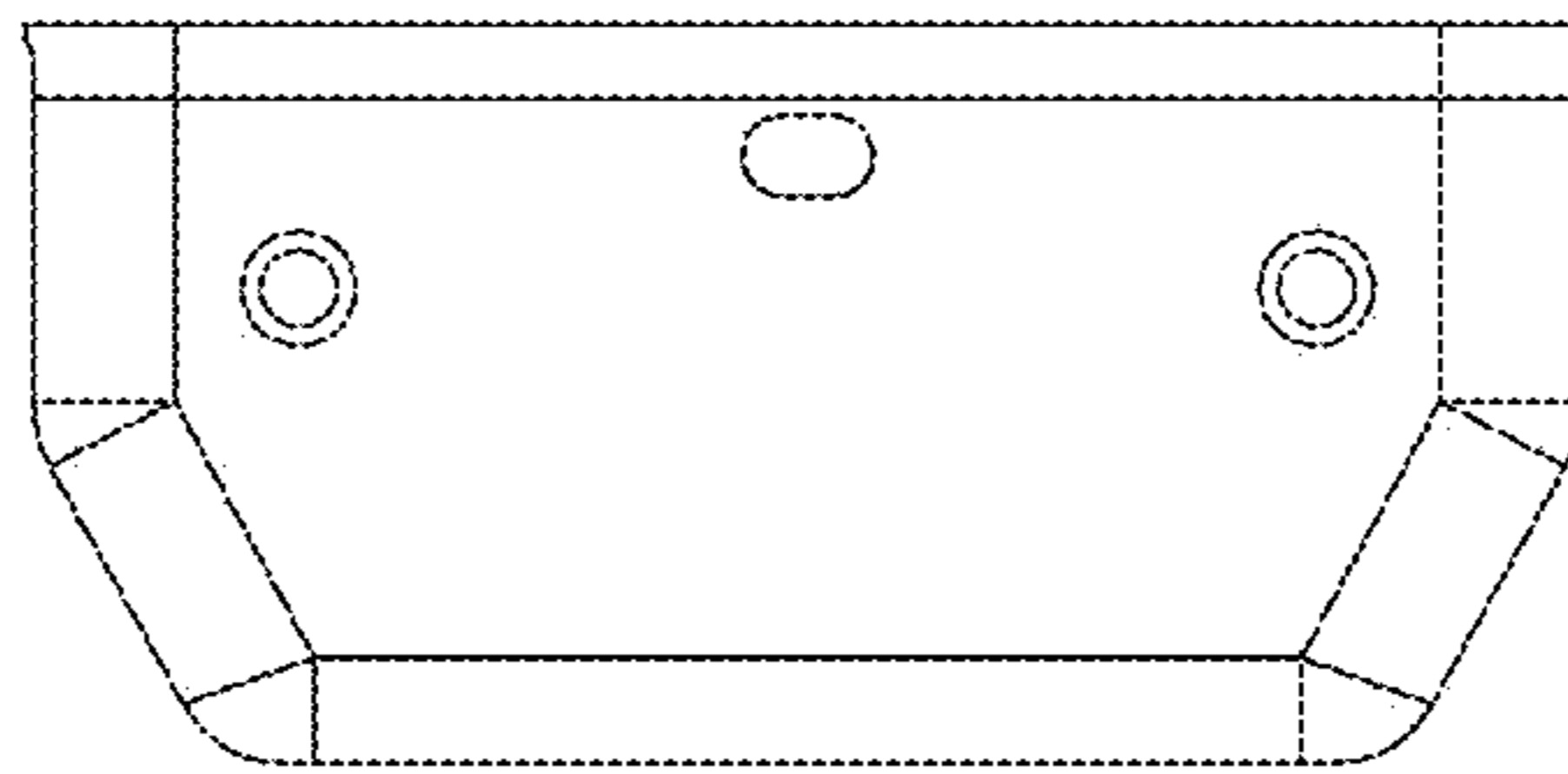


FIG. 8

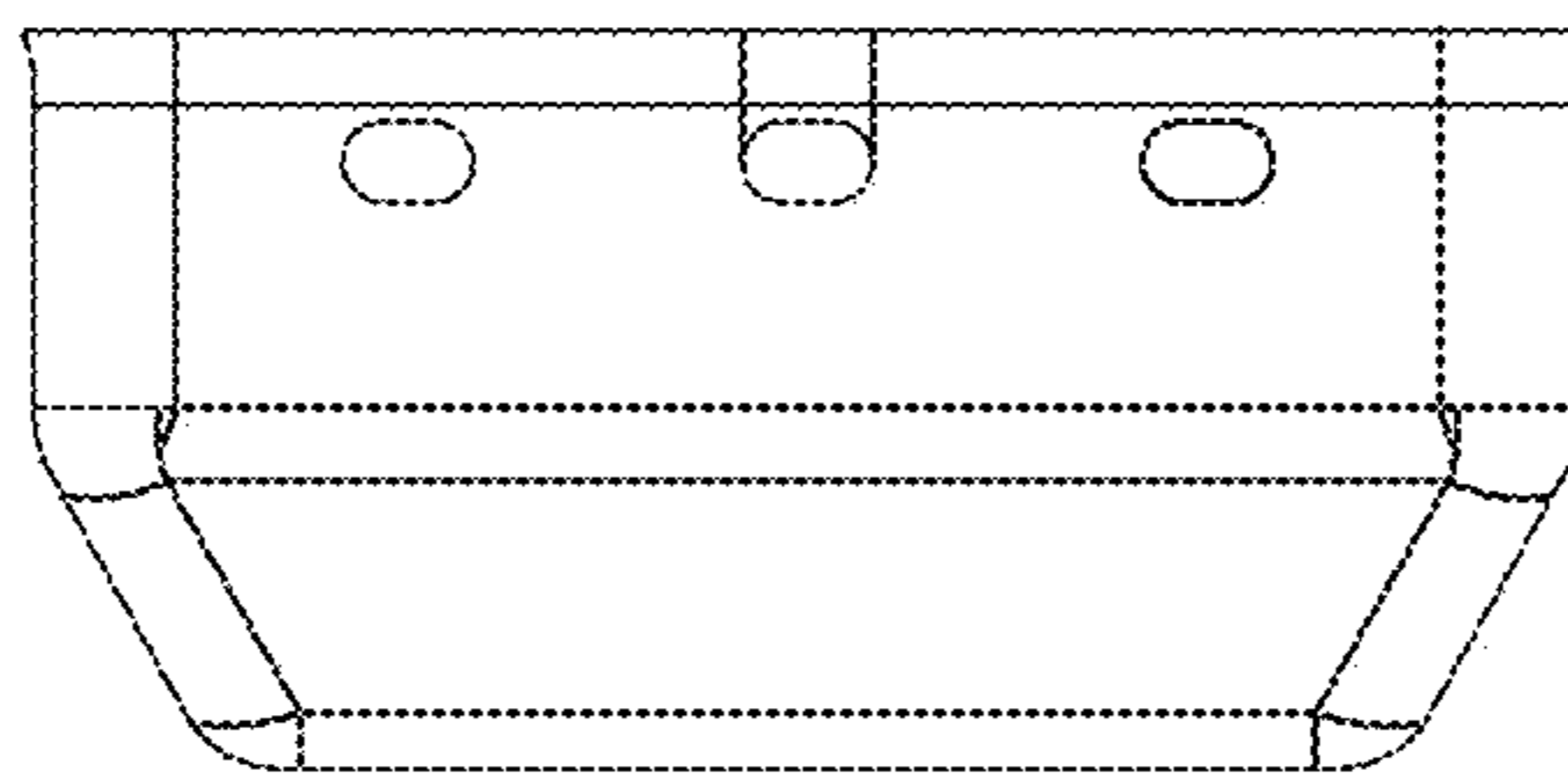


FIG. 9