



US00D752119S

(12) **United States Design Patent**  
**Resch**

(10) **Patent No.:** **US D752,119 S**  
(45) **Date of Patent:** **\*\* Mar. 22, 2016**

(54) **REFRIGERATING APPARATUS**

(71) Applicant: **AHT Cooling Systems GmbH,**  
Rottenmann (AT)

(72) Inventor: **Reinhold Resch,** St. Peter (AT)

(73) Assignee: **AHT Cooling Systems GmbH,**  
Rottenmann (AT)

(\*\*) Term: **14 Years**

(21) Appl. No.: **29/496,585**

(22) Filed: **Jul. 15, 2014**

(30) **Foreign Application Priority Data**

Jan. 16, 2014 (EM) ..... 002385914-0005

(51) **LOC (10) Cl.** ..... **15-07**

(52) **U.S. Cl.**  
USPC ..... **D15/79**

(58) **Field of Classification Search**

USPC ..... D15/79, 81, 83, 84, 85  
CPC ..... F25B 21/02; F25B 2321/02; F25B 1/005;  
F25B 2321/0252; F25B 1/00; F25B 1/10;  
F25B 21/04; F25B 2339/047; F25B 5/02;  
F25B 7/00; F25B 13/00; F25B 1/053; F25B  
2309/06; F25B 2321/021; F25B 2321/023;  
F25D 23/028; F25D 23/02; F25D 25/025;  
F25D 23/00; F25D 2323/021; F25D 11/00;  
F25D 2323/024; F25D 23/04; F25D 29/00;  
F25D 25/02; F25D 25/024; F25D 27/005;  
F25D 23/12; F25D 29/005; F25D 17/042;  
F25D 2325/021

See application file for complete search history.

(56) **References Cited**

U.S. PATENT DOCUMENTS

D477,616	S	*	7/2003	Resch	.....	D15/83
D607,474	S	*	1/2010	Pacher	.....	D15/83
D678,364	S	*	3/2013	Resch	.....	D15/83
D678,365	S	*	3/2013	Resch	.....	D15/83
D697,951	S	*	1/2014	Resch	.....	D15/83
D697,952	S	*	1/2014	Resch	.....	D15/83

\* cited by examiner

*Primary Examiner* — Daniel Bui

*Assistant Examiner* — Khawaja Anwar

(74) *Attorney, Agent, or Firm* — Collard & Roe, P.C.

(57) **CLAIM**

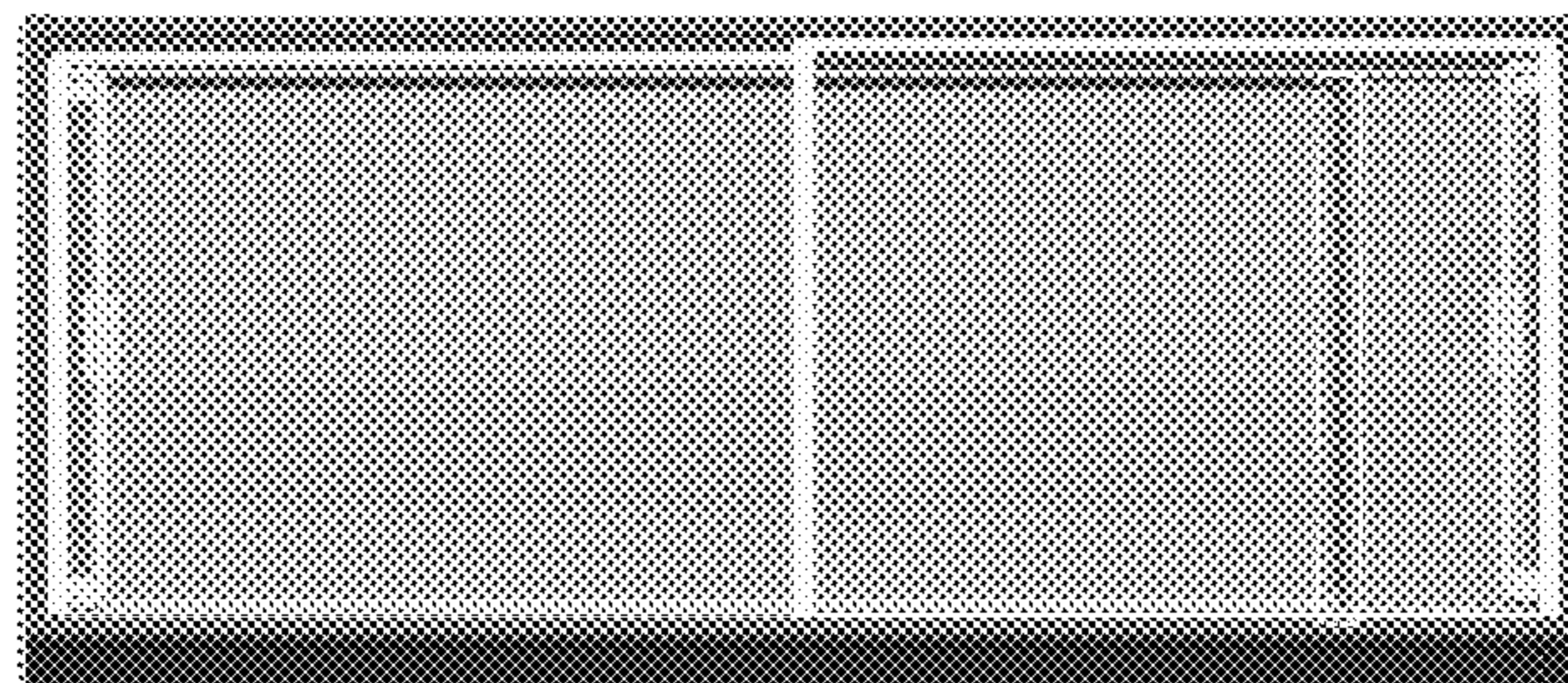
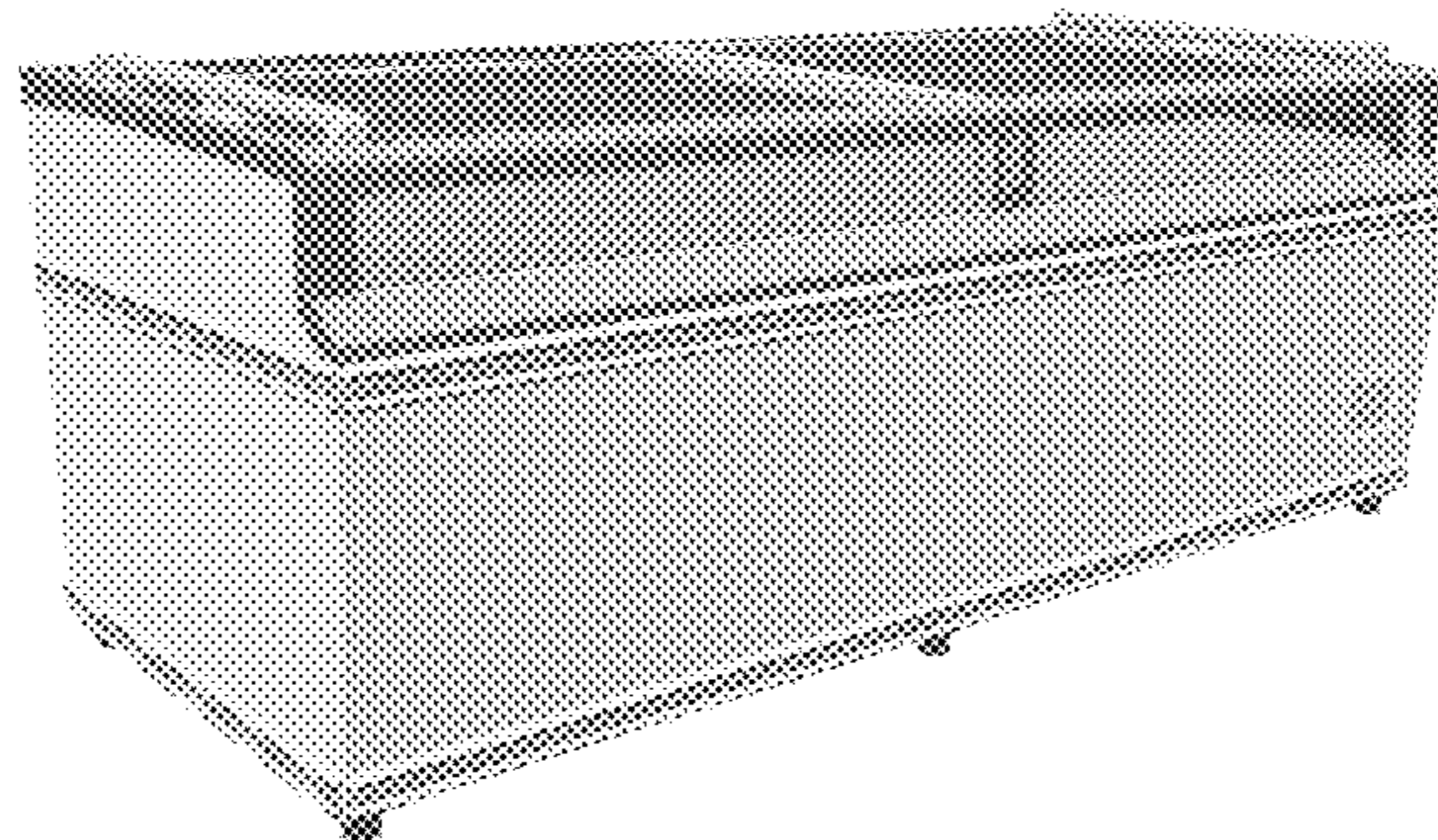
The ornamental design for a refrigerating apparatus, as shown and described.

**DESCRIPTION**

FIG. 1 is a top, front and left side perspective view of my design for a refrigerating apparatus;  
FIG. 2 is a front view thereof;  
FIG. 3 is a left side view thereof;  
FIG. 4 is a top view thereof;  
FIG. 5 is a right side view thereof;  
FIG. 6 is a bottom view thereof; and,  
FIG. 7 is a rear view thereof.

Areas within the white broken lines in the figure drawings represent unclaimed environment only and form no part of the claimed design.

**1 Claim, 7 Drawing Sheets**



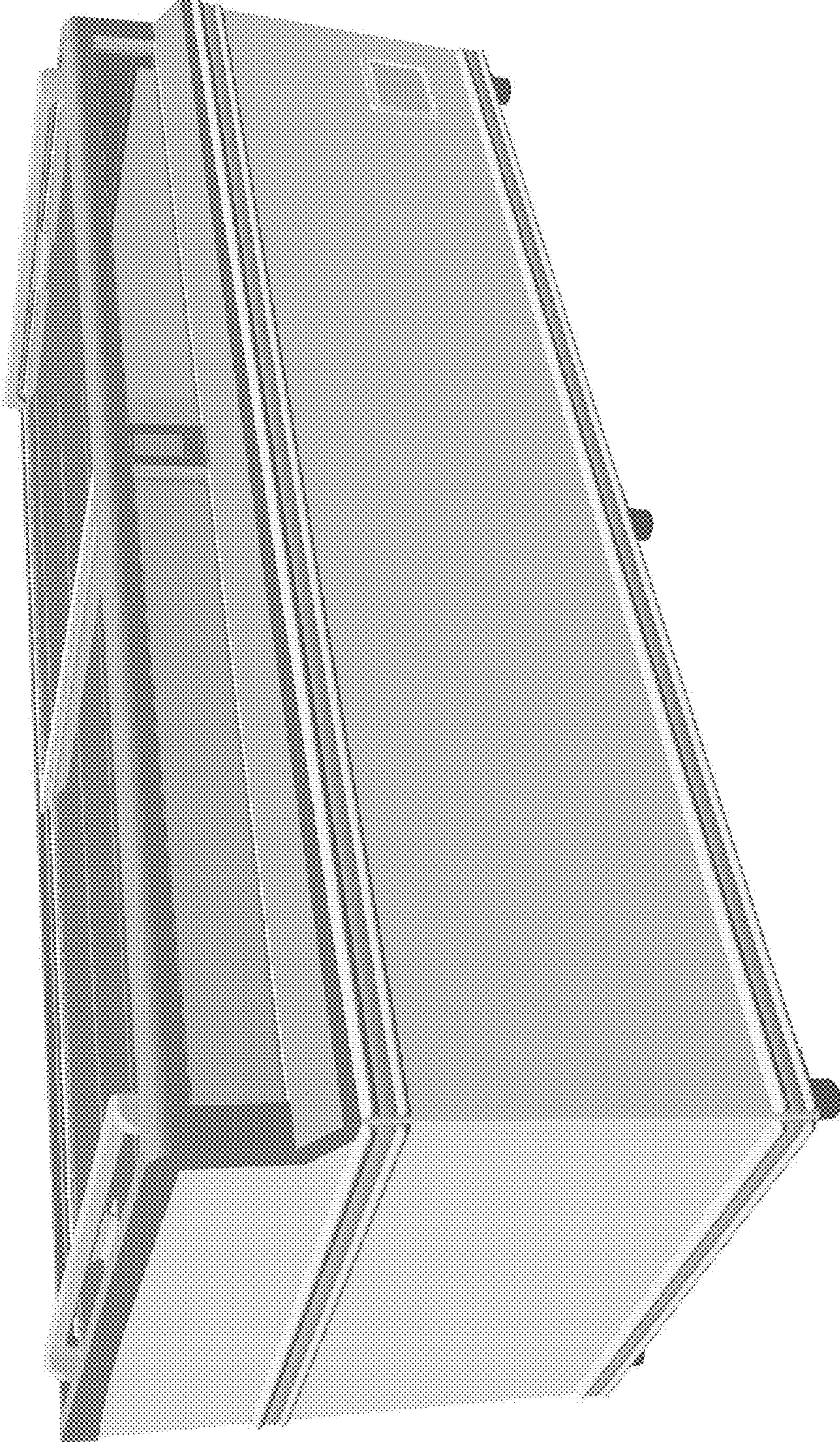


FIG. 1

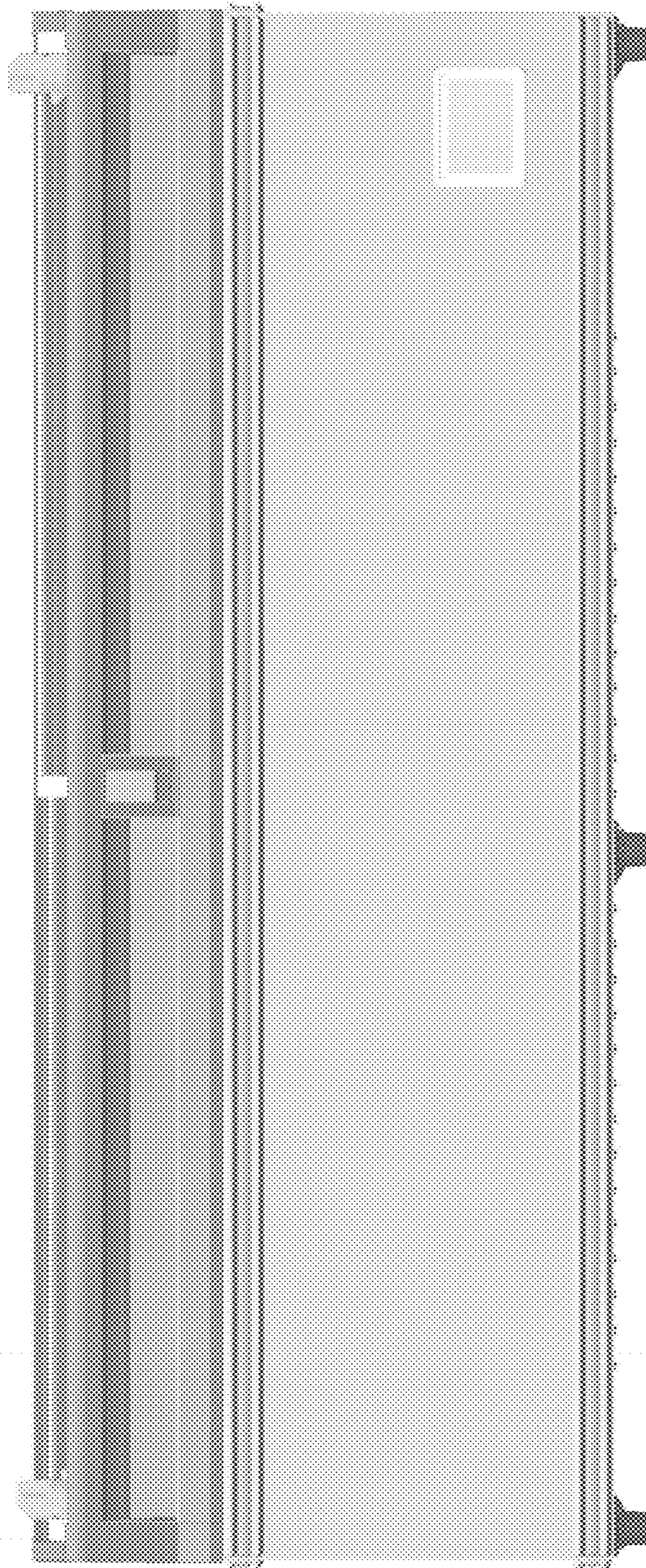


FIG. 2

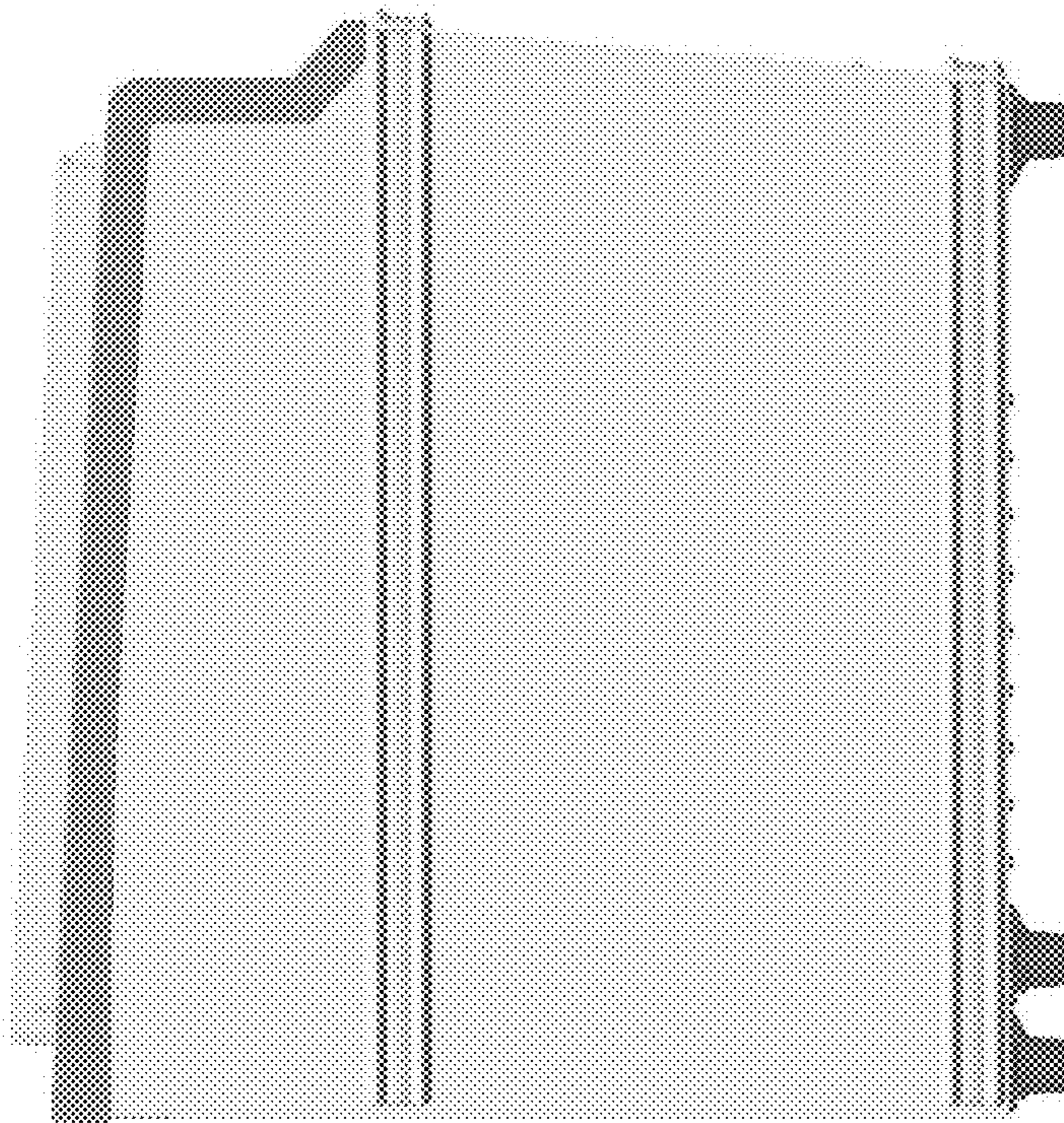


FIG. 3

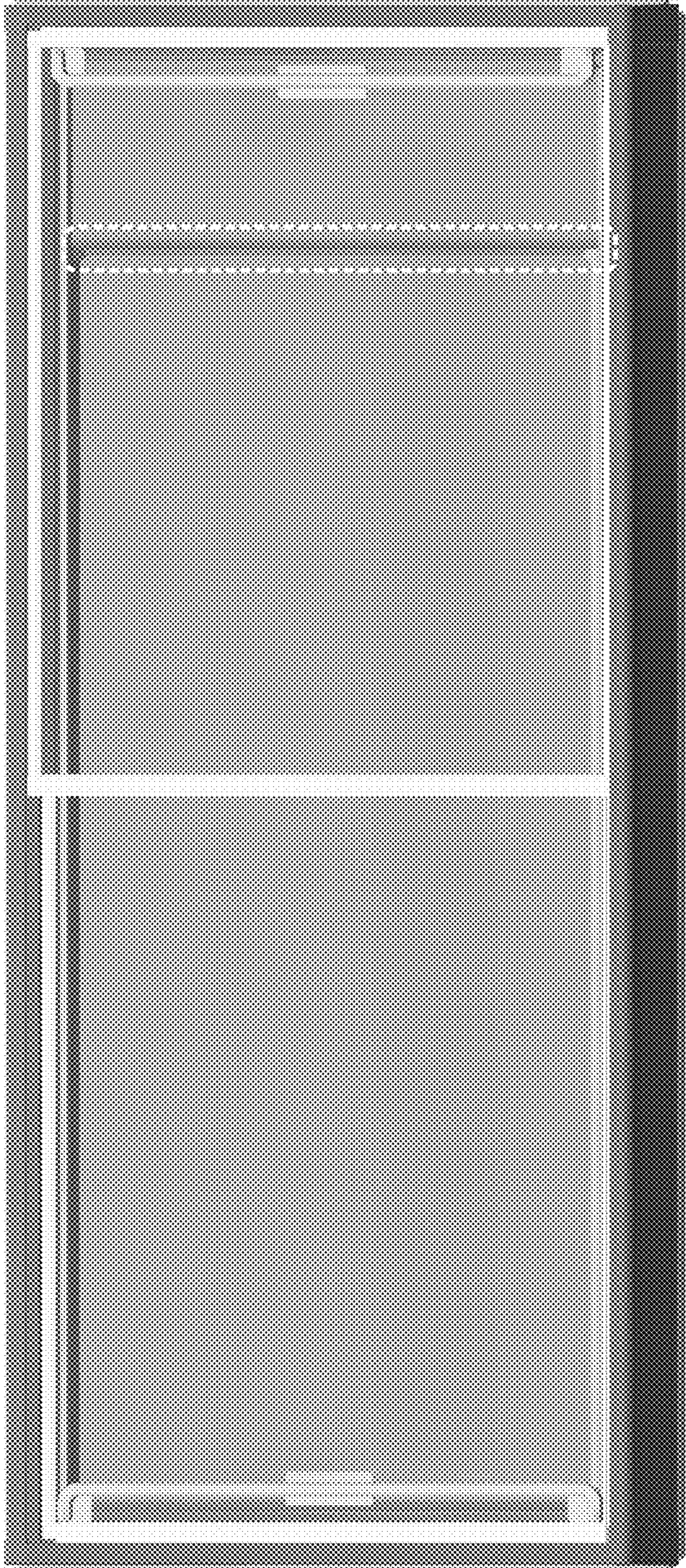


FIG. 4

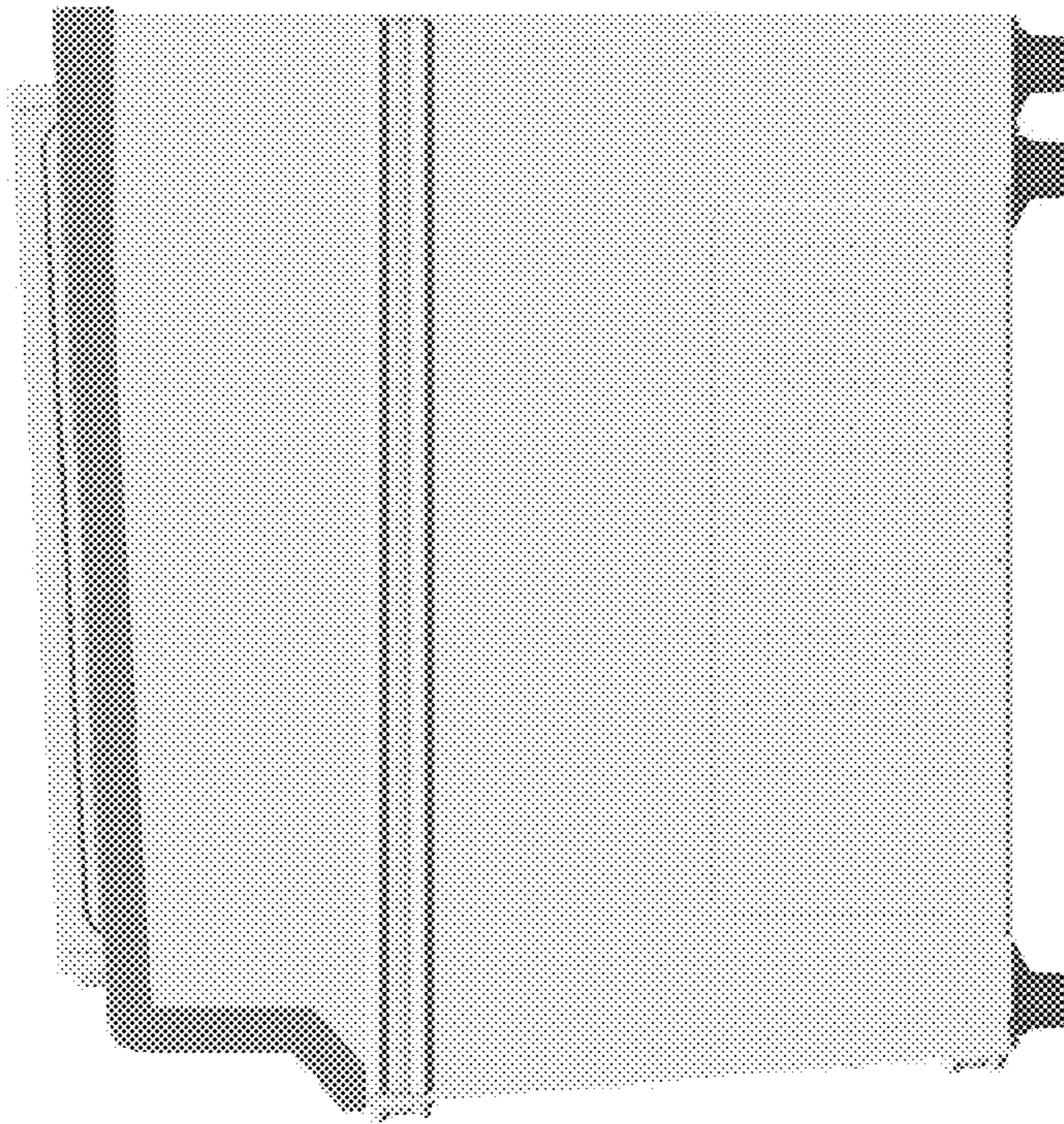


FIG. 5

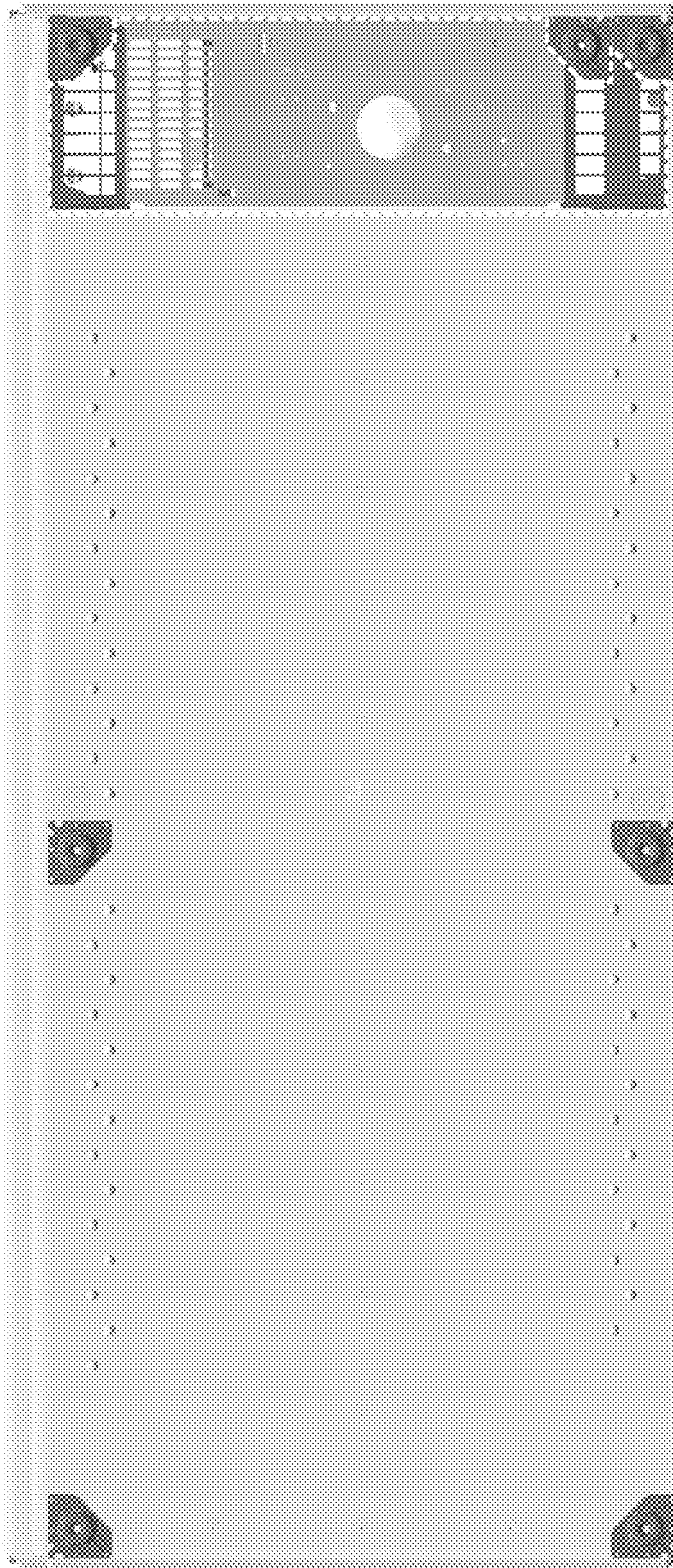


FIG. 6

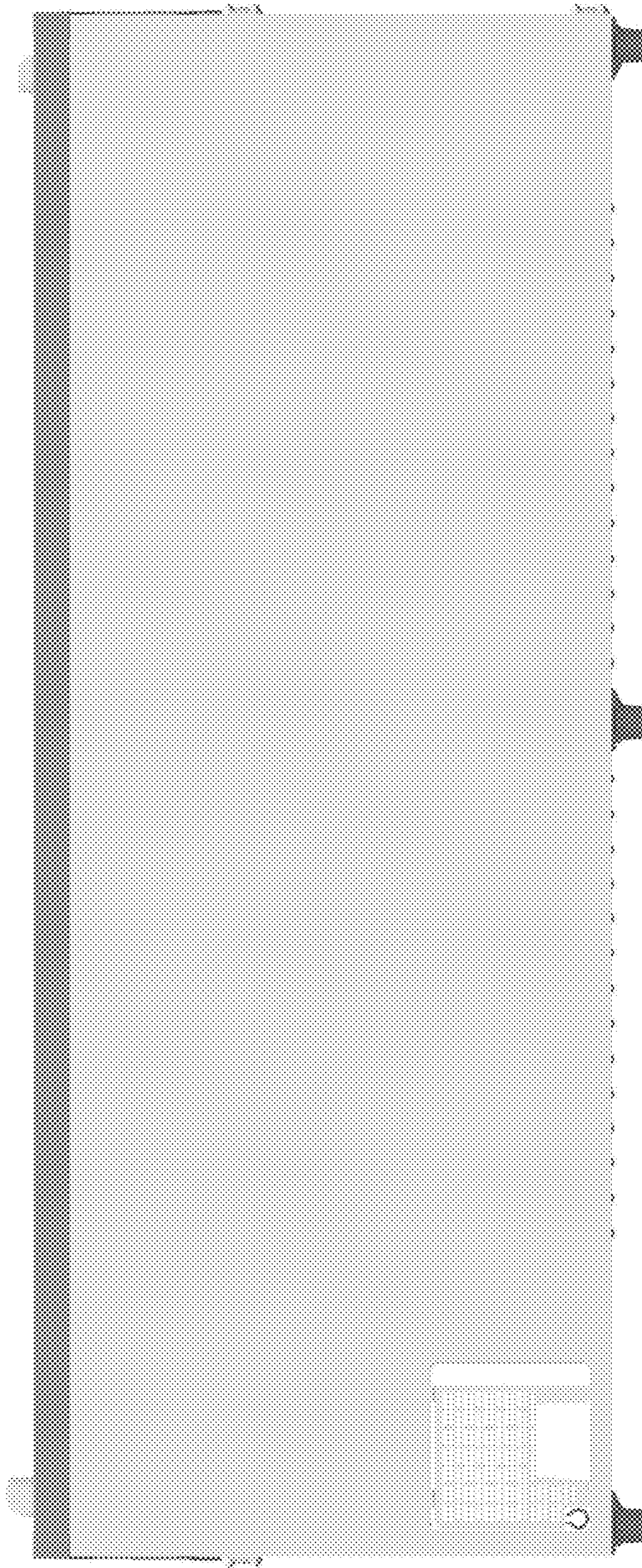


FIG. 7