



US00D752114S

(12) **United States Design Patent**
van Gemert

(10) **Patent No.:** **US D752,114 S**
(45) **Date of Patent:** **** Mar. 22, 2016**

(54) **MULTI-PROCESSOR AND MODULAR WEAR PROTECTION SYSTEM**

(71) Applicant: **Caterpillar Work Tools B.V.**,
s-Hertogenbosch (NL)

(72) Inventor: **Johannes Lambertus Leonardus van Gemert**, Mill (NL)

(73) Assignee: **Caterpillar Work Tools B.V.**,
s-Hertogenbosch (NL)

(**) Term: **14 Years**

(21) Appl. No.: **29/438,743**

(22) Filed: **Dec. 3, 2012**

(30) **Foreign Application Priority Data**

Jun. 4, 2012 (EM) 001329296-0003

(51) **LOC (10) Cl.** **15-03**

(52) **U.S. Cl.**
USPC **D15/28**

(58) **Field of Classification Search**
USPC D15/28, 32, 10; 241/101.71, 101.73,
241/266, 300, 264, 198.1; 30/134, 228
CPC B23D 17/00; B23D 31/008; B23D 35/002;
B23D 35/008; Y10T 83/9411; Y10T 83/9447;
Y10T 83/8878; E02F 9/2833; E02F 3/965;
E02F 3/96; E04G 23/08; E04G 2023/086;
B02C 1/10
See application file for complete search history.

(56) **References Cited**

U.S. PATENT DOCUMENTS

4,198,747 A * 4/1980 LaBounty 30/134
4,519,135 A * 5/1985 LaBounty 30/134
4,543,719 A * 10/1985 Pardoe 30/134
4,616,417 A * 10/1986 Gross 30/134
4,776,093 A * 10/1988 Gross 30/134
4,897,921 A * 2/1990 Ramun 30/134
D306,599 S * 3/1990 Hunter D15/32

4,934,616 A * 6/1990 Zepf 241/266
4,951,886 A * 8/1990 Berto 241/101.73
5,060,378 A * 10/1991 LaBounty et al. 30/134
D323,169 S * 1/1992 Saito D15/32
D323,170 S * 1/1992 Takahashi D15/32
D332,791 S * 1/1993 Kanzawa D15/32
D333,140 S * 2/1993 Garman D15/28
5,183,216 A * 2/1993 Wack 241/101.73
5,224,268 A * 7/1993 Pemberton 30/134
5,230,151 A * 7/1993 Kunzman et al. 30/134
5,292,079 A * 3/1994 Zakohji 241/264

(Continued)

Primary Examiner — Mark Goodwin

(74) *Attorney, Agent, or Firm* — Finnegan, Henderson, Farabow, Garrett & Dunner, LLP

(57) **CLAIM**

The ornamental design for a multi-processor and modular wear protection system, as shown and described.

DESCRIPTION

FIG. 1 is a front top left perspective view of a multiprocessor and modular wear protection system showing my new design, the rear top right perspective view being identical, and the front top right perspective and rear top left perspective views being mirror images thereof, the indicia being no part of the claimed design;

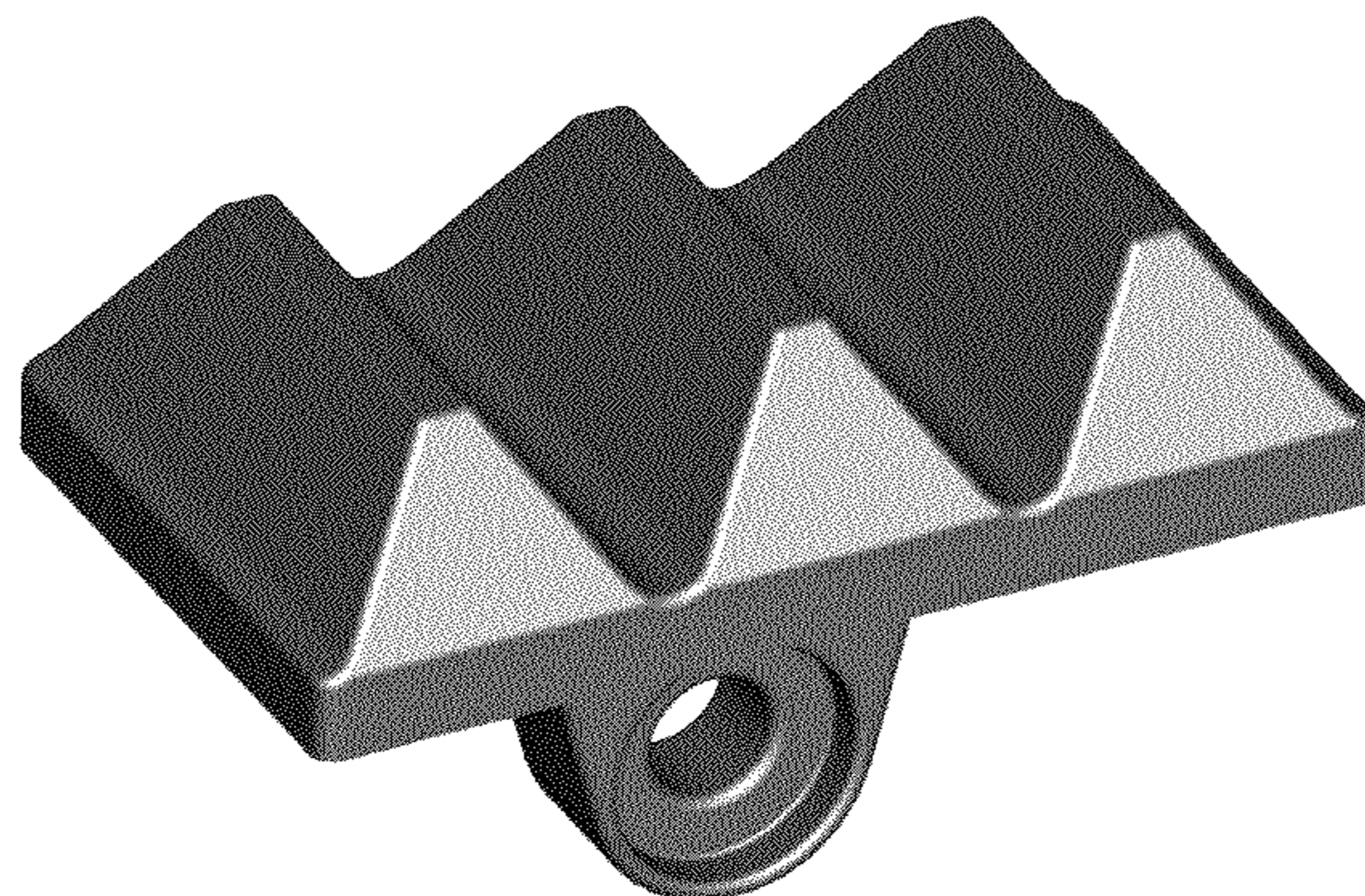
FIG. 2 is a front bottom left perspective view thereof, the rear bottom right perspective view being identical, the front bottom right perspective and rear bottom perspective views being mirror images thereof;

FIG. 3 is a front bottom left perspective view shown in use condition; and,

FIG. 4 is a front left perspective view, the front right perspective view being a mirror image thereof when in the separated configuration.

The broken line showing the mounting areas for the multi-processor and modular wear protection system in FIGS. 3 and 4, and the extra multi-processor and modular wear protection system in FIG. 3 is included for the purpose of illustrating environmental structure only and forms no part of the claimed design.

1 Claim, 4 Drawing Sheets



(56)

References Cited

U.S. PATENT DOCUMENTS

5,301,882	A *	4/1994	Morikawa et al.	241/101.73	8,176,808	B2 *	5/2012	Fisk et al.	74/490.05
5,361,999	A *	11/1994	Sakato et al.	241/101.72	8,231,071	B2 *	7/2012	Ramun et al.	241/101.72
5,474,242	A *	12/1995	Rafn	241/101.71	8,245,964	B2 *	8/2012	Ramun	241/101.73
5,671,892	A *	9/1997	Morikawa et al.	241/101.73	8,308,092	B2 *	11/2012	Ramun	241/101.73
5,743,476	A *	4/1998	Morikawa et al.	241/101.73	8,322,249	B2 *	12/2012	Seavey et al.	74/490.01
5,829,695	A *	11/1998	Sakato et al.	241/101.73	8,327,547	B2 *	12/2012	Johnson et al.	30/134
6,061,911	A *	5/2000	LaBounty et al.	30/134	8,414,043	B2 *	4/2013	Albin et al.	294/106
6,119,970	A *	9/2000	LaBounty et al.	241/101.73	8,424,789	B2 *	4/2013	Ramun	241/101.73
6,298,560	B1 *	10/2001	Lee	30/134	8,539,699	B2 *	9/2013	Ramun	37/403
6,568,615	B2 *	5/2003	Klemm	241/101.73	8,628,035	B2 *	1/2014	Ramun	241/101.73
6,766,973	B2 *	7/2004	Muri	241/101.73	8,646,709	B2 *	2/2014	Ramun et al.	241/101.73
6,839,969	B2 *	1/2005	Jacobson et al.	30/134	8,650,759	B2 *	2/2014	Johnson et al.	30/134
6,926,217	B1 *	8/2005	LaBounty et al.	241/266	8,684,292	B2 *	4/2014	Ramun	241/101.73
7,044,037	B2 *	5/2006	Cossette et al.	83/13	2003/0132327	A1 *	7/2003	Muri	241/101.73
7,216,575	B2 *	5/2007	Alseth et al.	83/609	2004/0093739	A1 *	5/2004	Jacobson et al.	30/134
7,284,718	B2 *	10/2007	Christenson	241/101.73	2005/0235498	A1 *	10/2005	Cossette et al.	30/134
7,354,010	B2 *	4/2008	Ramun et al.	241/101.73	2006/0131454	A1 *	6/2006	Ramun et al.	241/101.73
7,412,788	B2 *	8/2008	Schipp et al.	37/468	2007/0001041	A1 *	1/2007	Christenson	241/101.73
7,954,742	B2 *	6/2011	Ramun et al.	241/101.71	2007/0130776	A1 *	6/2007	Grant et al.	30/134
7,975,944	B2 *	7/2011	Ramun et al.	241/101.72	2007/0245568	A1 *	10/2007	Schipp et al.	30/134
8,146,256	B2 *	4/2012	Johnson et al.	30/134	2009/0145274	A1 *	6/2009	Mikrut et al.	83/53
					2011/0225829	A1 *	9/2011	Raihala	30/134
					2015/0115086	A1 *	4/2015	Van Gemert	241/264

* cited by examiner

FIG. 1

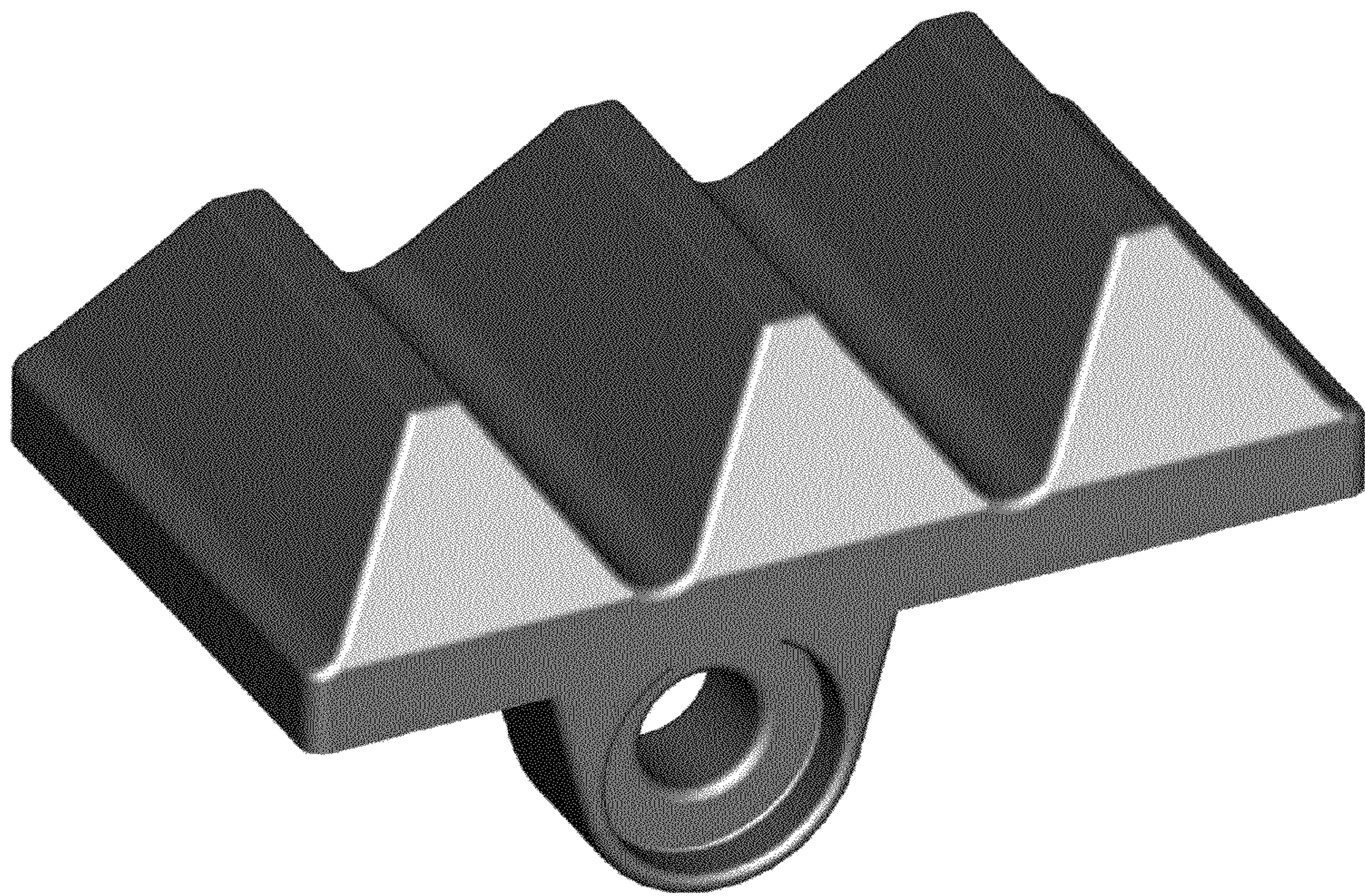


FIG. 2

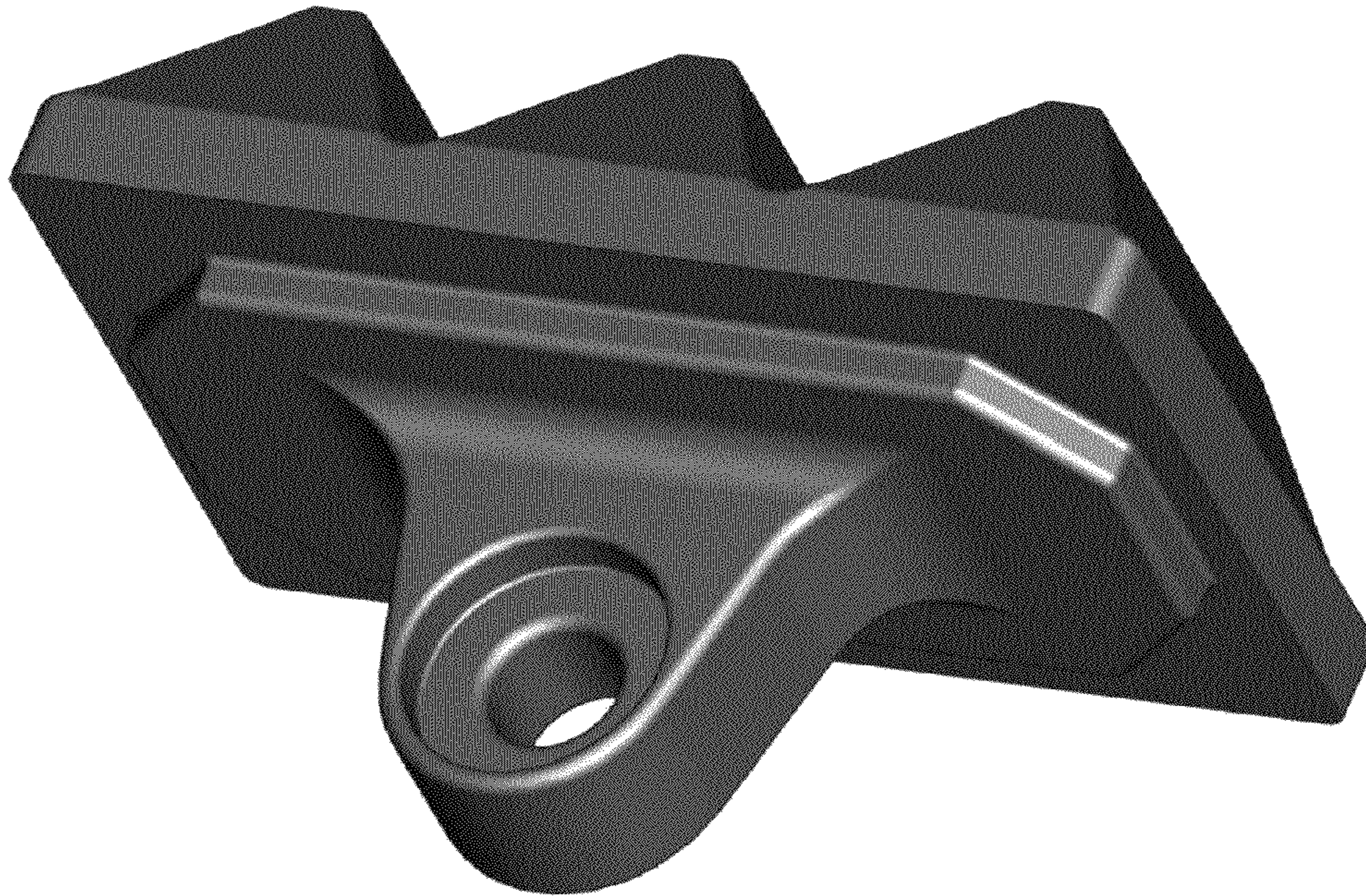


FIG. 3

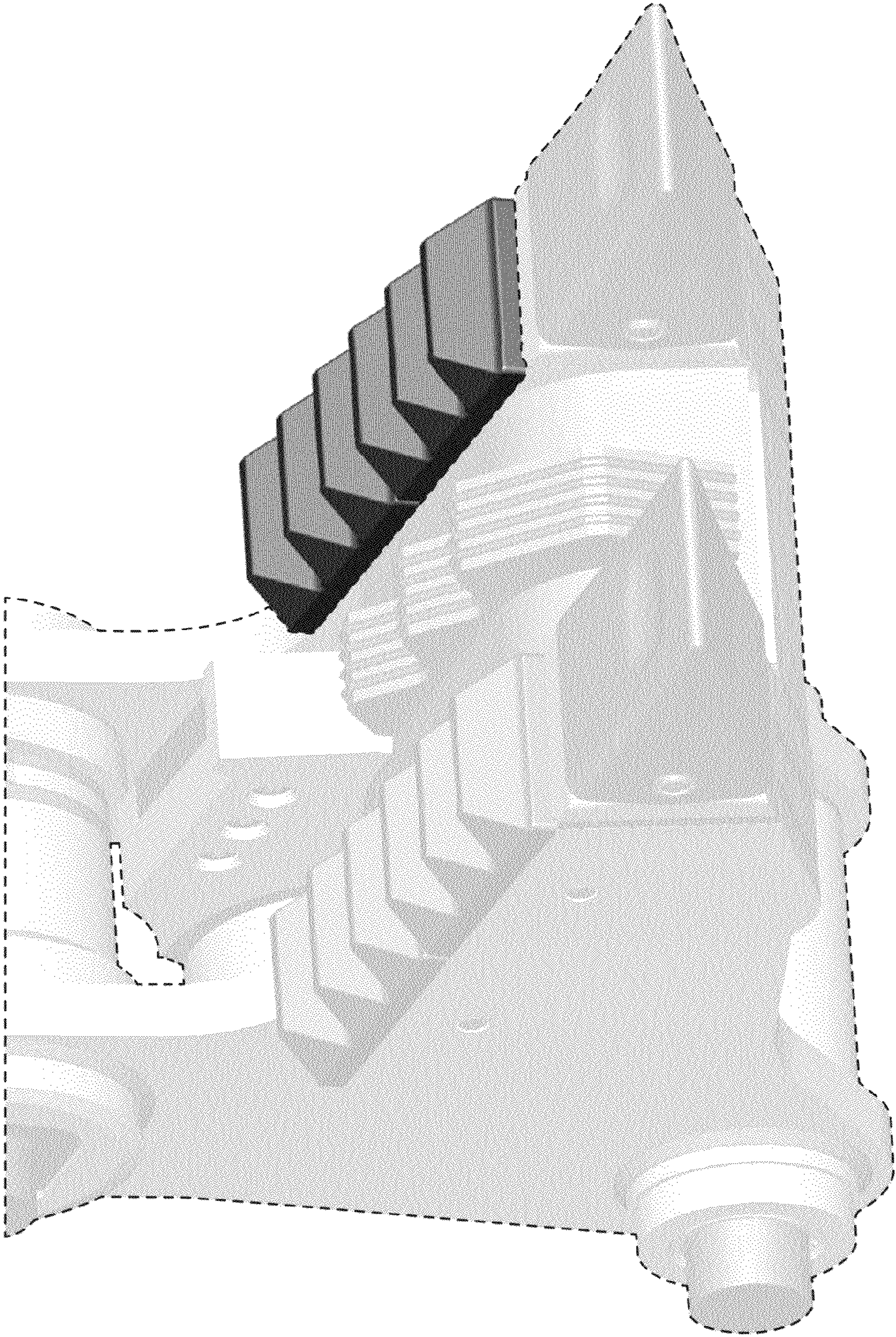


FIG. 4

