

US00D752111S

(12) **United States Design Patent**
Fornaci et al.

(10) **Patent No.:** **US D752,111 S**
(45) **Date of Patent:** **** Mar. 22, 2016**

(54) **ROCK DUST BLOWER**

(56) **References Cited**

(71) Applicant: **Hafco Foundry and Machine Company, Incorporated**, Midland Park, NJ (US)

U.S. PATENT DOCUMENTS

(72) Inventors: **Michael J. Fornaci**, Oakland, NJ (US); **William J. Fornaci**, Hawthorne, NJ (US); **John R. Rodriquez**, Rockaway, NJ (US); **Basil J. Fornaci**, Hawthorne, NJ (US); **Istvan J. Kiss**, Oakland, NJ (US)

1,564,880	A	12/1925	Mauser
D197,734	S	3/1964	Wahl
3,194,443	A	7/1965	Gurney
4,286,723	A	9/1981	Schutz
D283,935	S	5/1986	Culshaw
5,071,028	A	12/1991	Murphy
5,269,463	A	12/1993	Burks
6,135,368	A	10/2000	Protan
6,830,414	B2	12/2004	Kia et al.
D663,914	S	7/2012	Howard
D681,684	S *	5/2013	Fornaci et al. D15/13
2003/0150928	A1	8/2003	Watanabe et al.

(73) Assignee: **Hafco Foundry and Machines Co., Inc.**, Midland Park, NJ (US)

* cited by examiner

(**) Term: **14 Years**

Primary Examiner — Cynthia Ramirez

(21) Appl. No.: **29/453,848**

(74) *Attorney, Agent, or Firm* — Andrew S. Langsam; Pryor Cashman LLP

(22) Filed: **May 3, 2013**

(57) **CLAIM**

Related U.S. Application Data

The ornamental design for a rock dust blower, as shown and described.

(63) Continuation-in-part of application No. 29/404,223, filed on Oct. 18, 2011, now Pat. No. Des. 681,684.

DESCRIPTION

(51) **LOC (10) Cl.** **15-04**

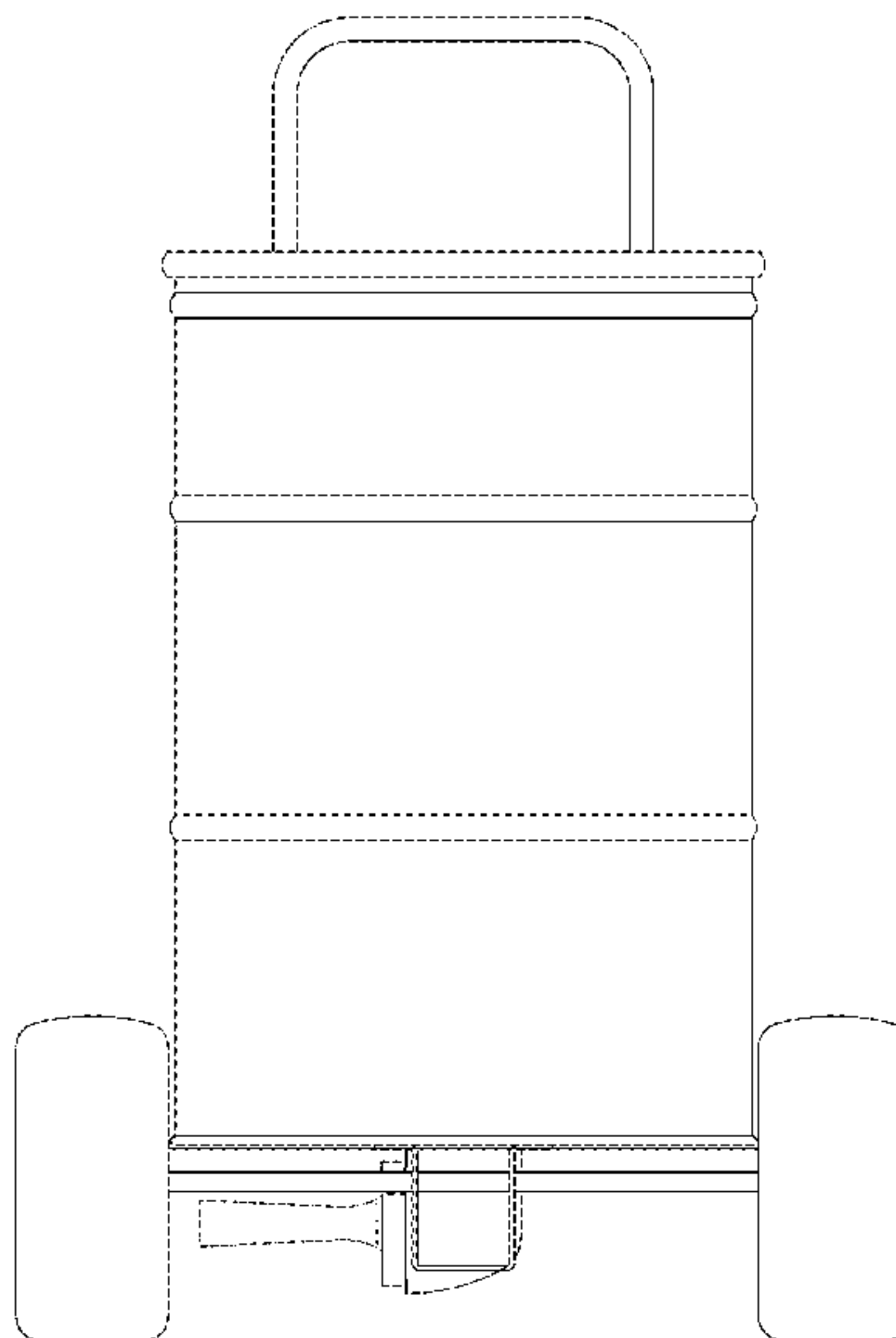
(52) **U.S. Cl.**
USPC **D15/13; D23/213**

(58) **Field of Classification Search**
USPC D23/202, 205, 206, 228, 229, 499;
D15/13; D34/39, 12; 217/72, 76, 81;
239/650, 651, 652, 654, 659, 689;
451/64, 65, 67, 75, 90, 91, 99
CPC B65D 1/20; B65D 1/16; B65D 1/12;
B65D 9/02; B65D 9/04; B65D 9/32; B65D
9/34; B65D 9/38; B25D 39/084; B25D
39/088

FIG. 1 is a front elevational view of a rock dust blower showing our new design
FIG. 2 is a rear elevational view thereof;
FIG. 3 is a right side elevational view thereof;
FIG. 4 is a left side elevational view thereof;
FIG. 5 is a top plan view thereof; and,
FIG. 6 is a bottom plan view thereof.
The broken lines in the figures are included for the purpose of illustrating portions of the rock dust blower and form no part of the claimed design.

See application file for complete search history.

1 Claim, 6 Drawing Sheets



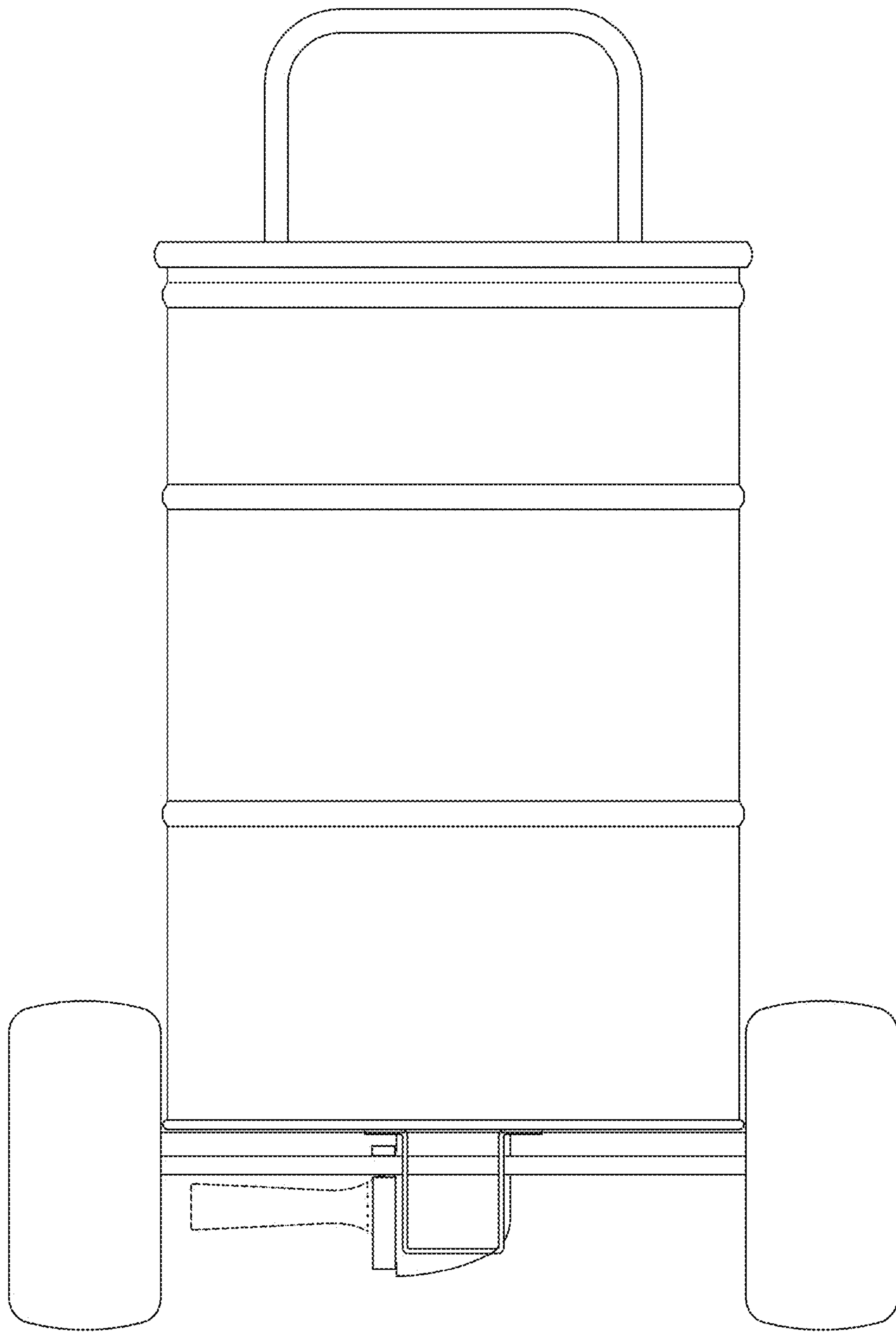


FIG. 1

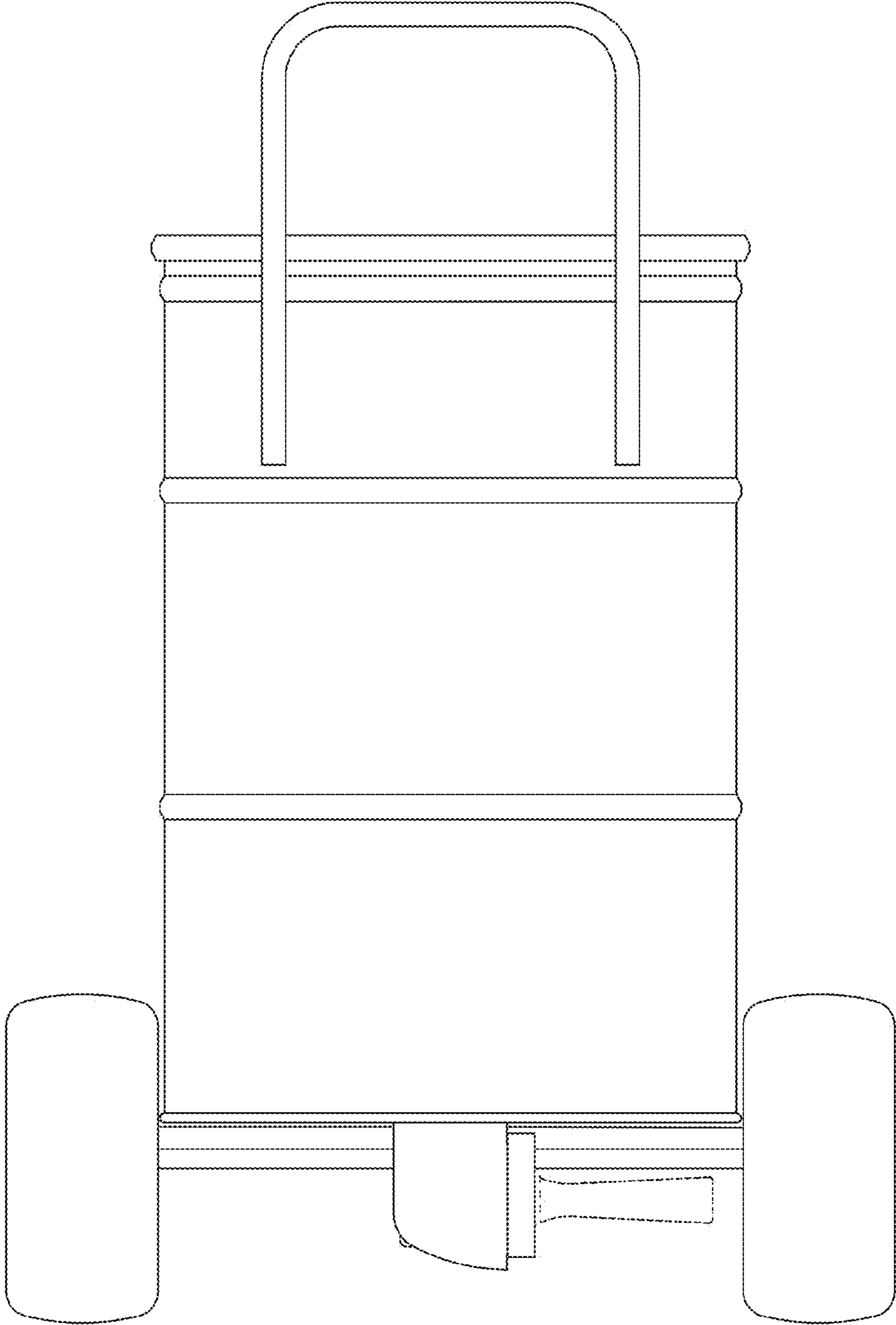


FIG. 2

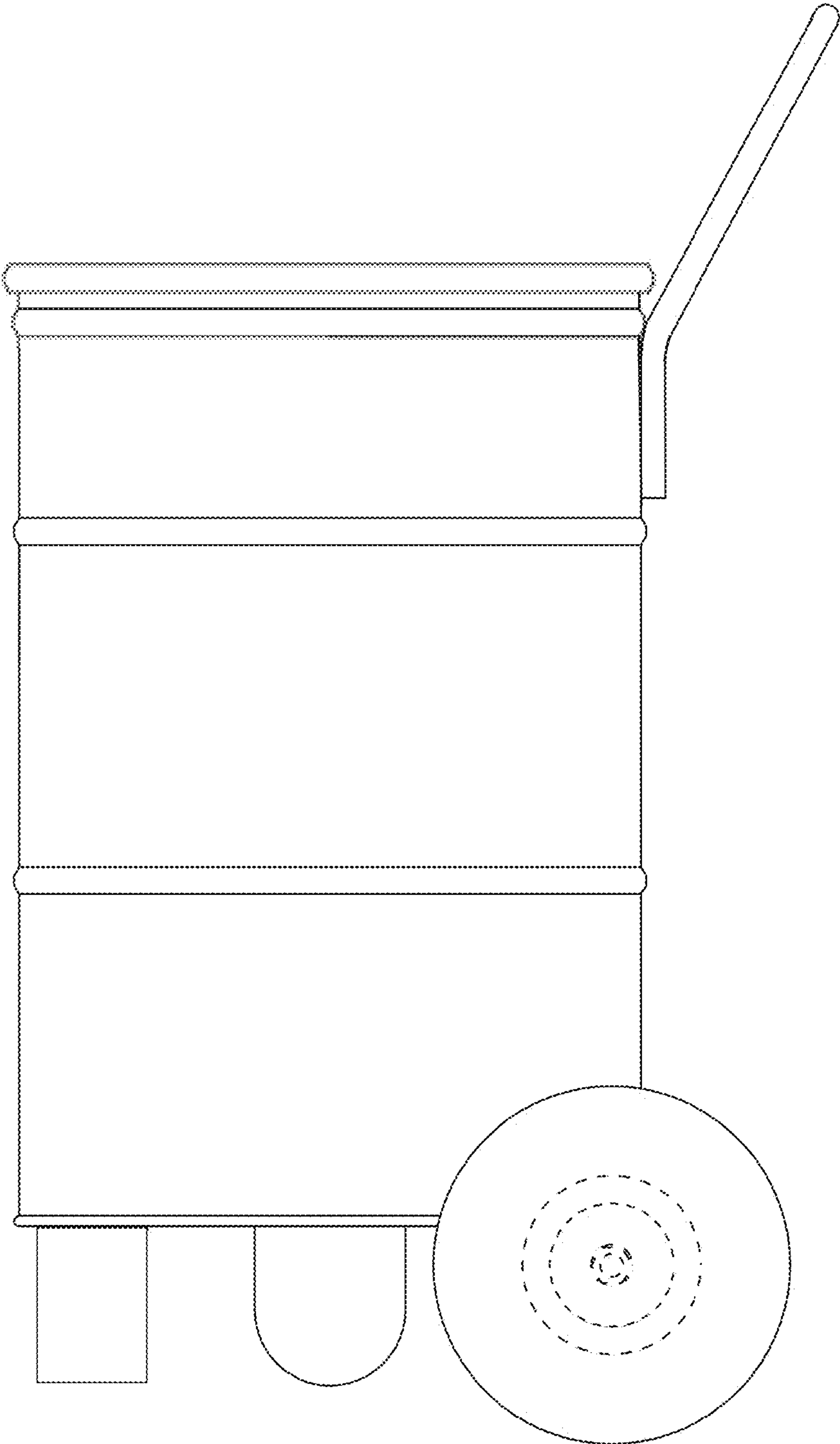


FIG. 3

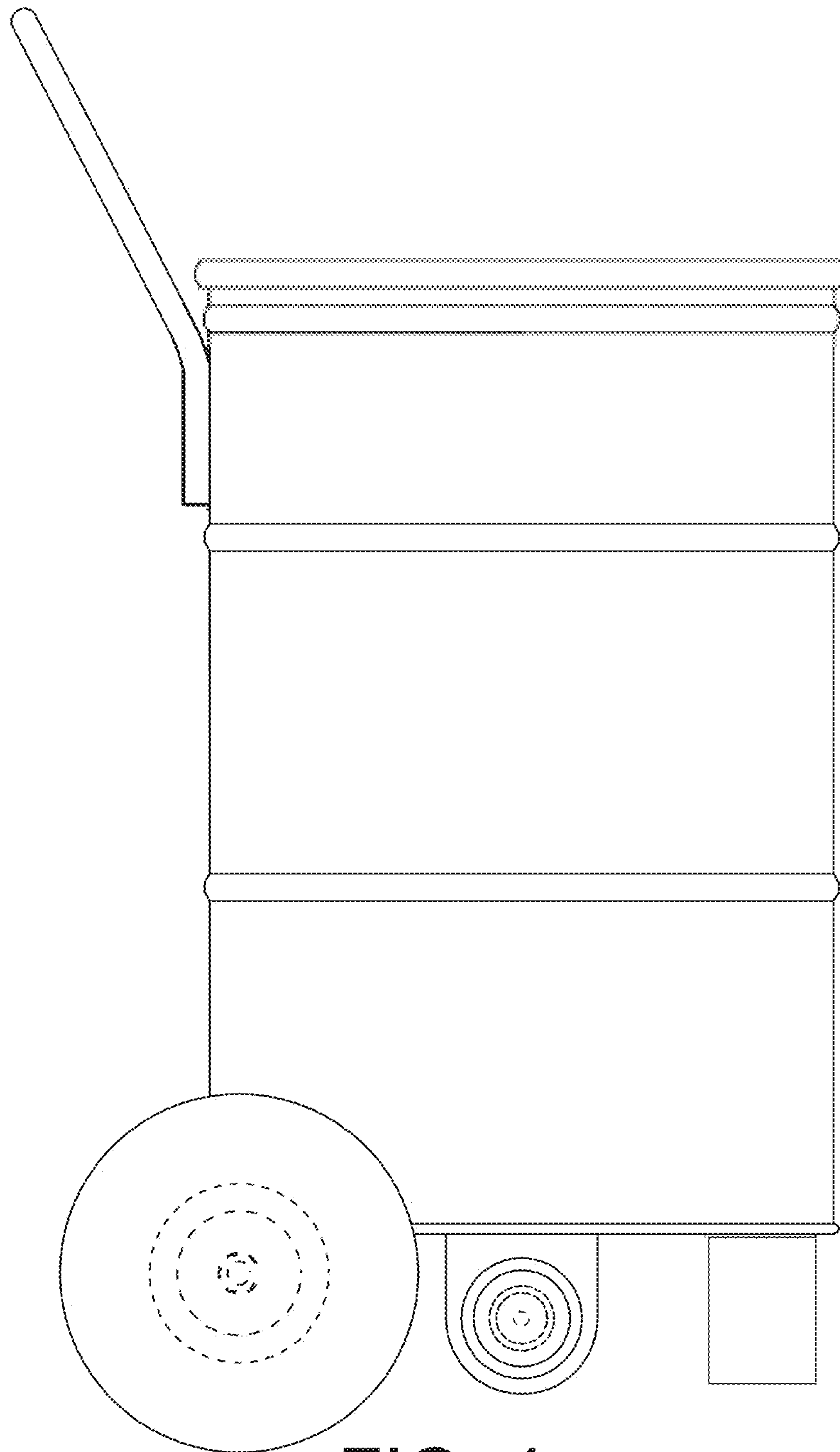


FIG. 4

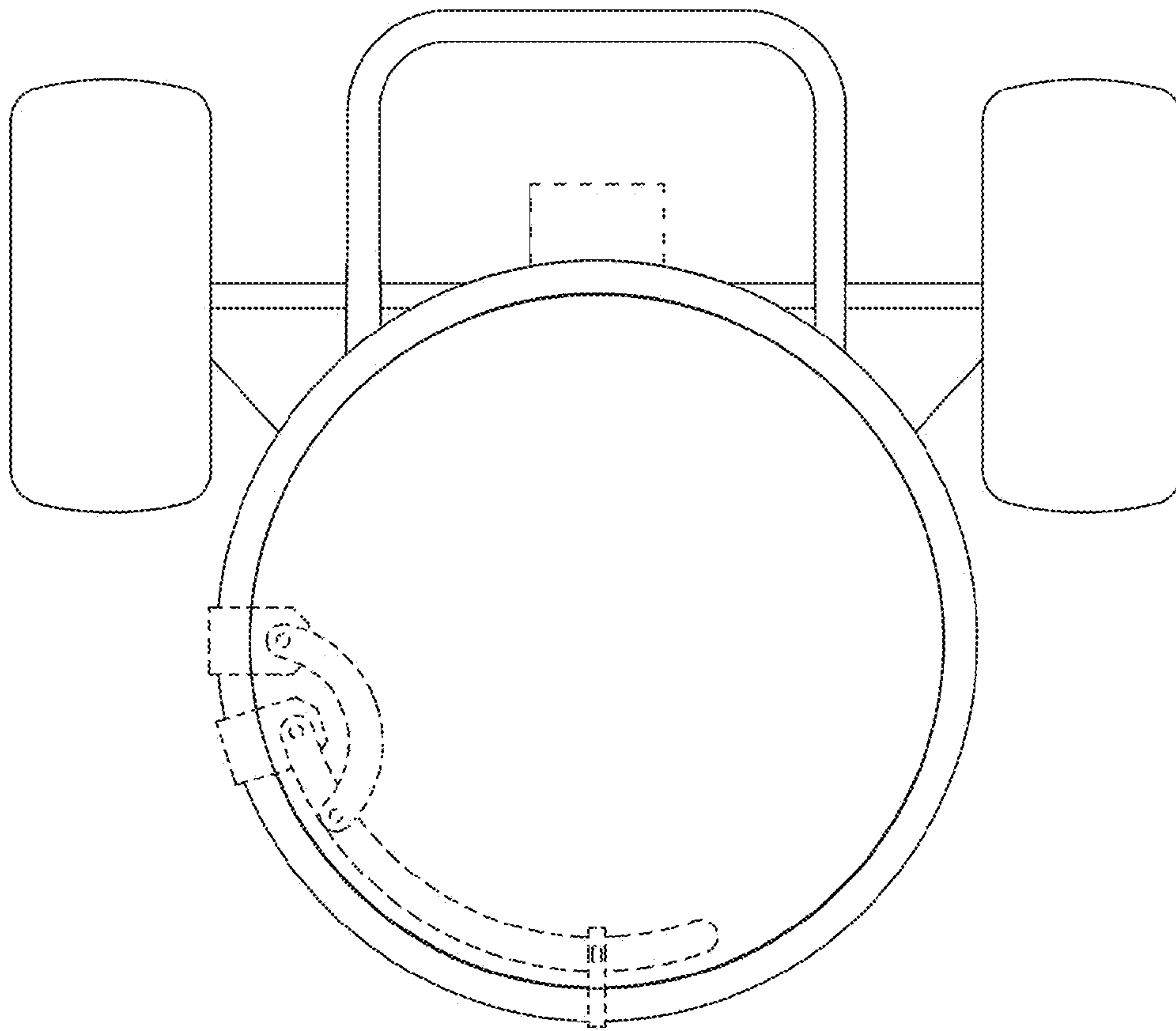


FIG. 5

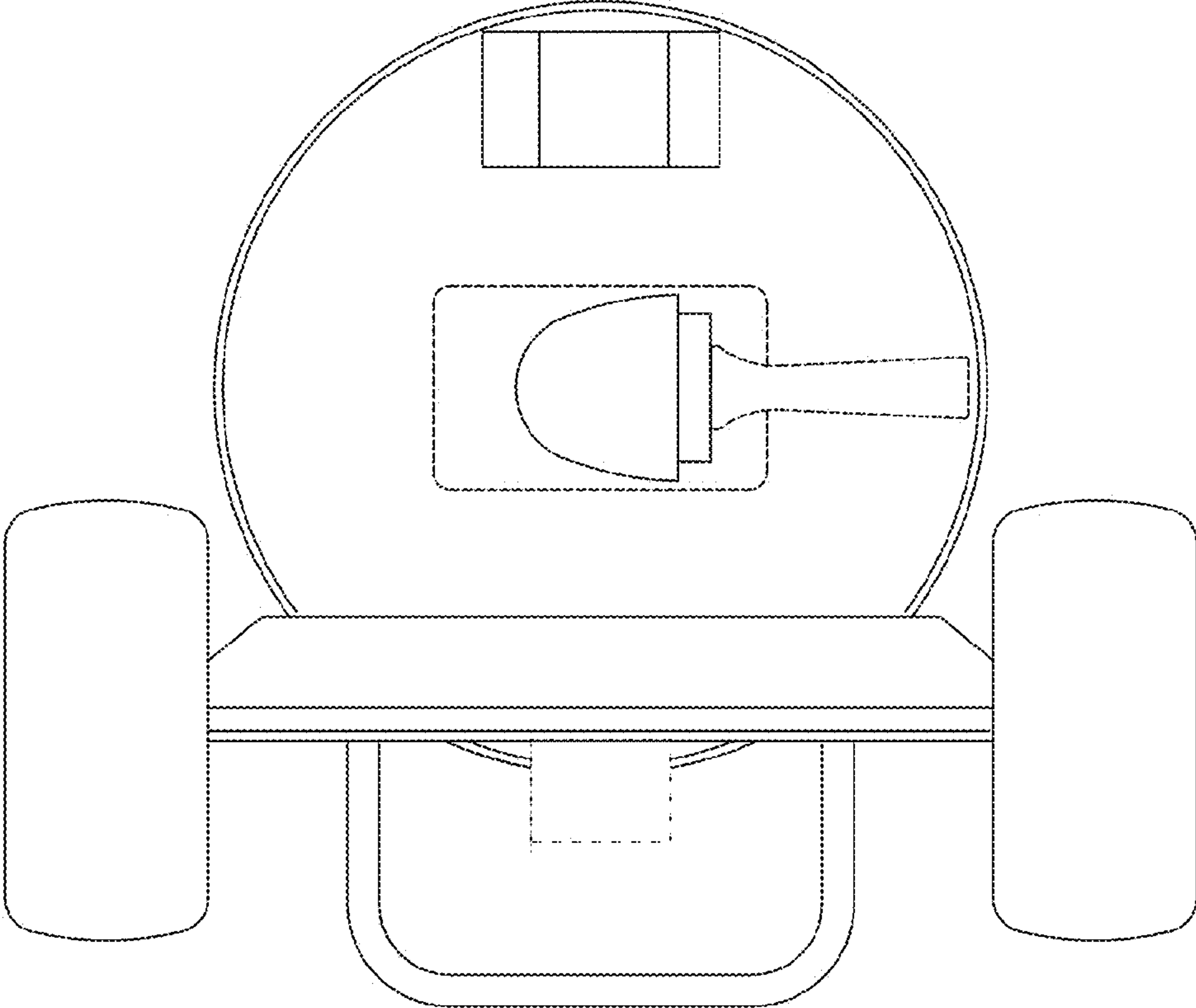


FIG. 6