



US00D752110S

(12) **United States Design Patent**
Cook et al.

(10) **Patent No.:** **US D752,110 S**
(45) **Date of Patent:** **** Mar. 22, 2016**

- (54) **LOW PROFILE PUMP**
- (71) Applicant: **Flow Control LLC.**, Beverly, MA (US)
- (72) Inventors: **Gregory Cook**, Holliston, MA (US);
Jeffrey D. Lopes, Gloucester, MA (US)
- (73) Assignee: **Flow Control LLC.**, Beverly, MA (US)
- (**) Term: **14 Years**
- (21) Appl. No.: **29/520,980**
- (22) Filed: **Mar. 19, 2015**

3,695,776 A	10/1972	Rule	
3,700,002 A	10/1972	Christie	
3,807,900 A	4/1974	Delancey et al.	
3,966,361 A	6/1976	House	
D264,085 S *	4/1982	Clay	D15/7
D303,532 S *	9/1989	Gresens	D15/7
5,545,012 A	8/1996	Anastos et al.	
6,174,146 B1	1/2001	Lacy et al.	
6,676,382 B2	1/2004	Leighton et al.	
7,183,741 B2	2/2007	Mehlhorn	
7,755,318 B1	7/2010	Panosh	
D629,423 S *	12/2010	Varini	D15/7
8,167,578 B2	5/2012	Lin et al.	
D684,197 S *	6/2013	Kienzle et al.	D15/9
D701,246 S *	3/2014	Cook	D15/7
D735,240 S *	7/2015	Cook et al.	D15/7
2010/0166570 A1	7/2010	Hampton	
2012/0171051 A1	7/2012	Wallace	
2013/0052060 A1	2/2013	Meza et al.	

Related U.S. Application Data

- (62) Division of application No. 29/480,850, filed on Jan. 30, 2014, now Pat. No. Des. 735,240.
- (51) **LOC (10) Cl.** **15-02**
- (52) **U.S. Cl.**
USPC **D15/7**
- (58) **Field of Classification Search**
USPC D15/7-9; D23/231, 232, 225; 417/60, 417/235, 265, 321, 355, 358, 363, 359, 417/410.1, 415-416, 405, 900, 43, 554; 60/408, 412; 184/26-37; 415/140-147; 123/495, 509; 166/105.1, 105.2, 311; 604/73; D24/109
CPC F02M 37/04; F02M 37/14
See application file for complete search history.

FOREIGN PATENT DOCUMENTS

JP	200045984	2/2000
WO	2004038228	5/2004

* cited by examiner

Primary Examiner — Ralf Seifert

(57) **CLAIM**

We claim the ornamental design of a low profile pump, as shown and described herein.

DESCRIPTION

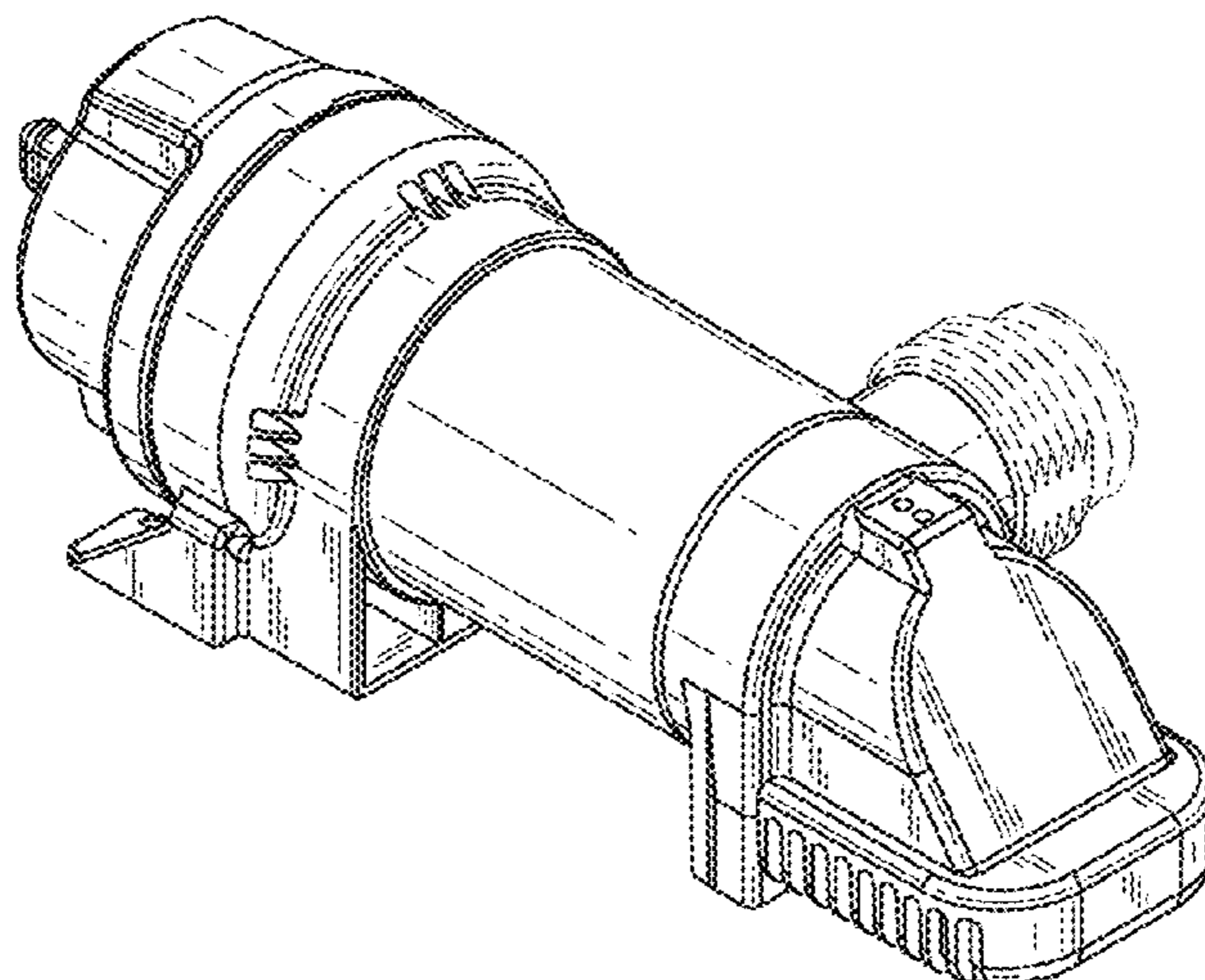
FIG. 1 is a top perspective view of a low profile pump showing our new design;
 FIG. 2 is a bottom perspective view;
 FIG. 3 is a side view;
 FIG. 4 is an opposite side view of FIG. 3;
 FIG. 5 is a top view;
 FIG. 6 is a bottom view;
 FIG. 7 is a front view; and,
 FIG. 8 is a back view.

1 Claim, 3 Drawing Sheets

(56) **References Cited**

U.S. PATENT DOCUMENTS

1,780,679 A	11/1930	Jennings	
D162,502 S *	3/1951	Zimmer, Jr.	D15/7
2,643,615 A	6/1953	Murphy et al.	
2,910,003 A	10/1959	Kaatz	
3,044,406 A	7/1962	Kristenson	
D195,748 S *	7/1963	Lorenz	D15/7
3,637,326 A	1/1972	Dowell	



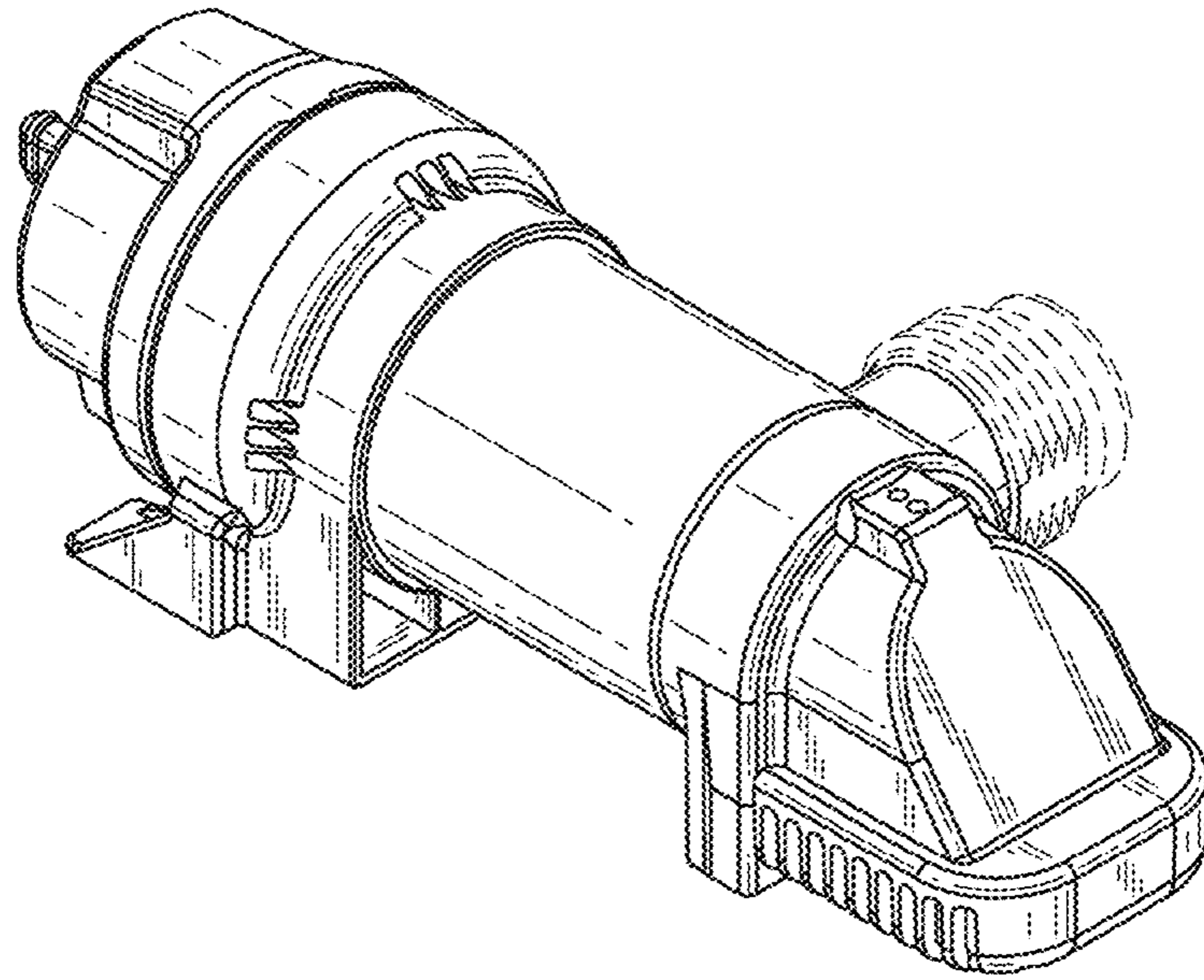


FIG. 1

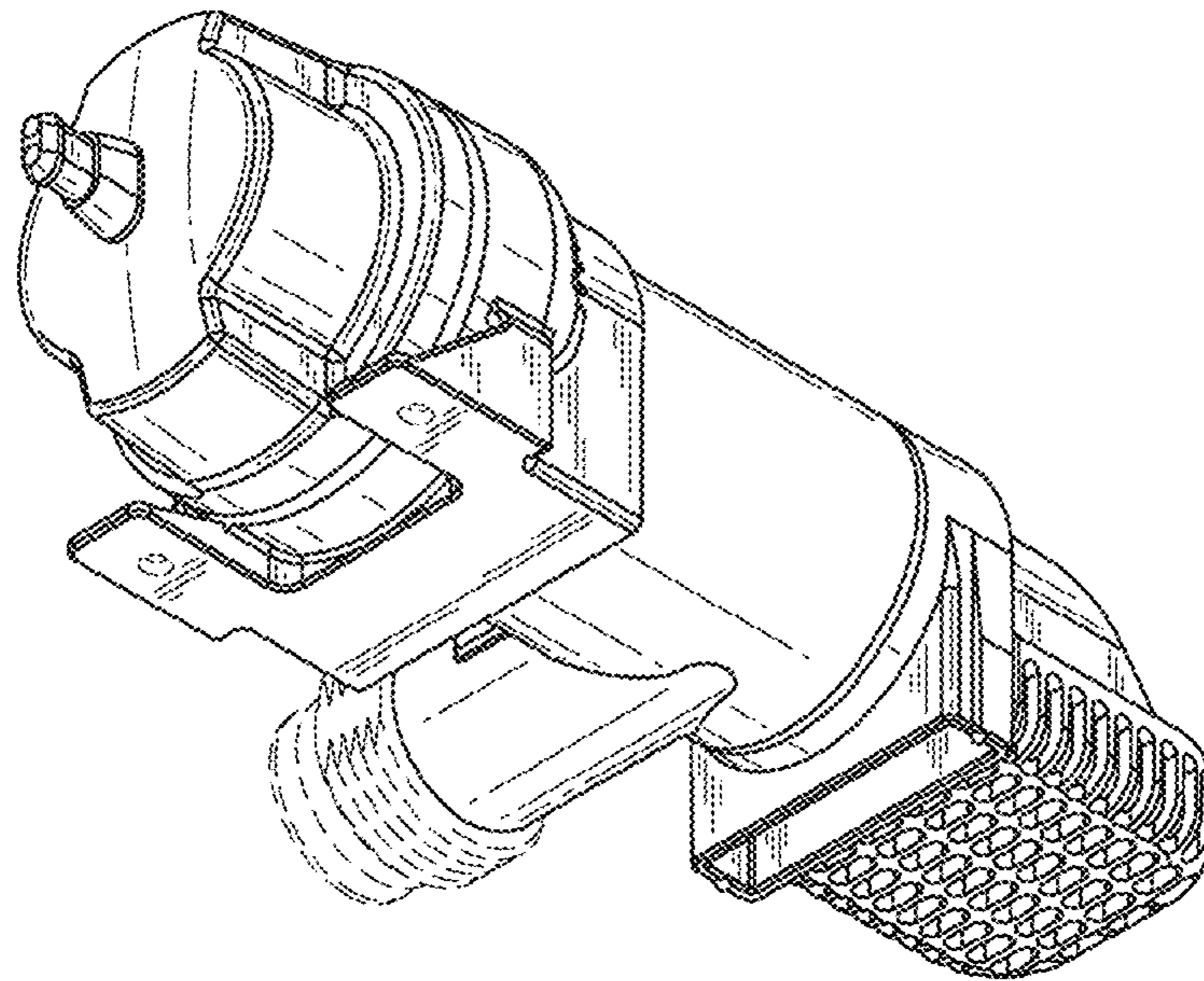


FIG. 2

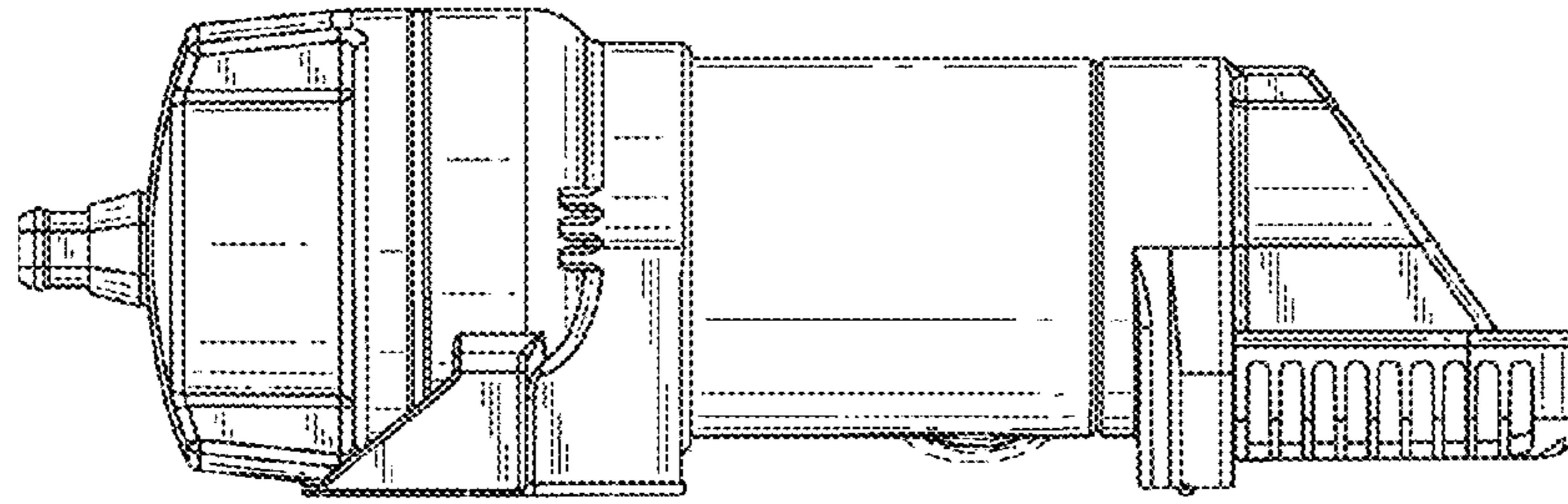


FIG. 3

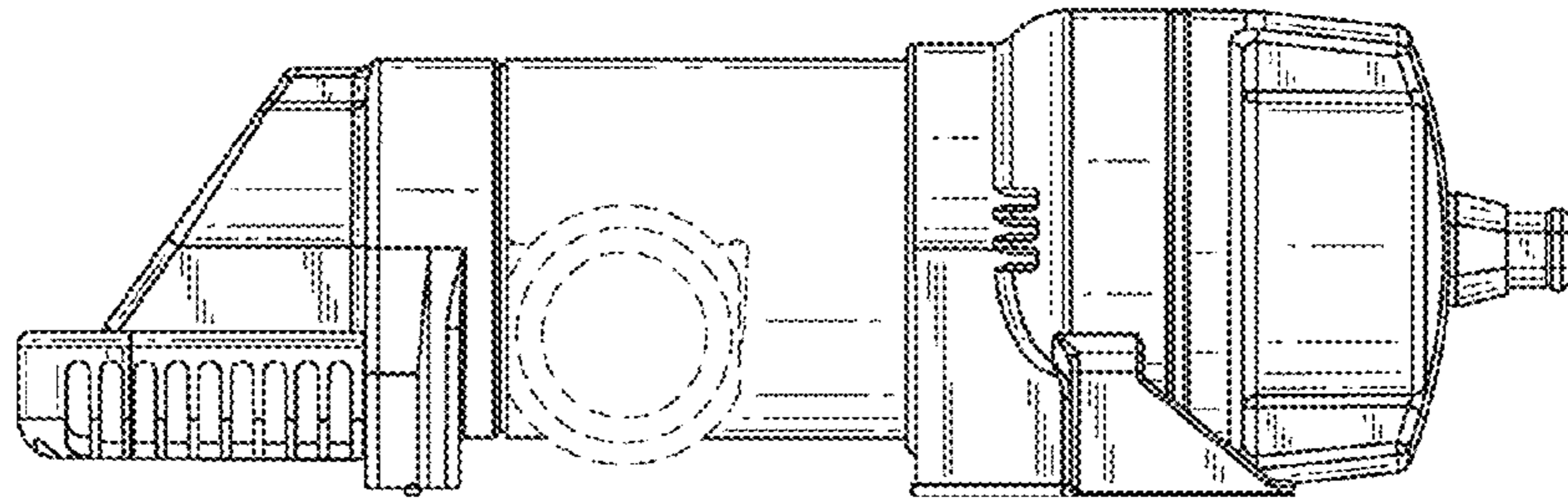


FIG. 4

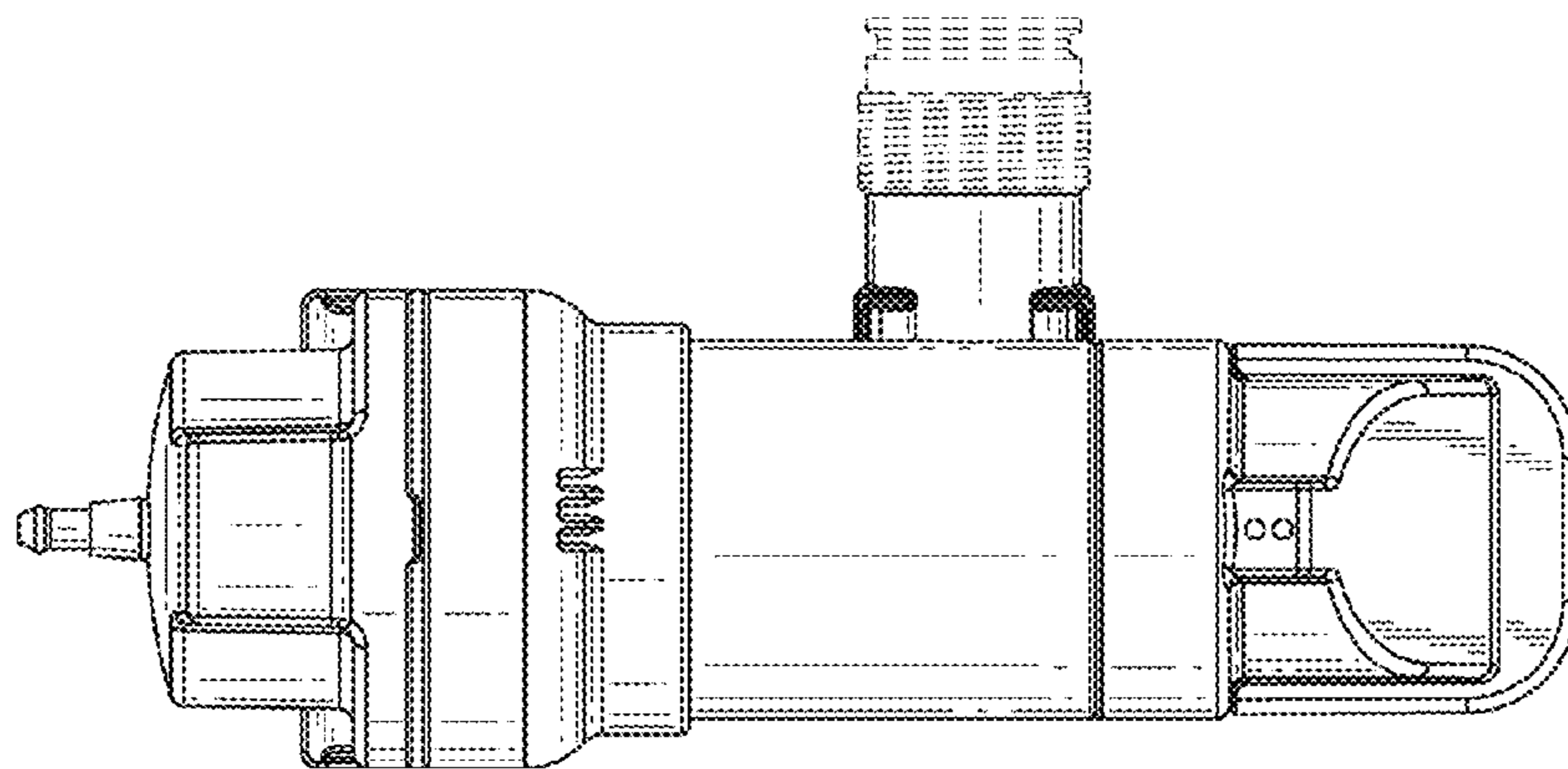


FIG. 5

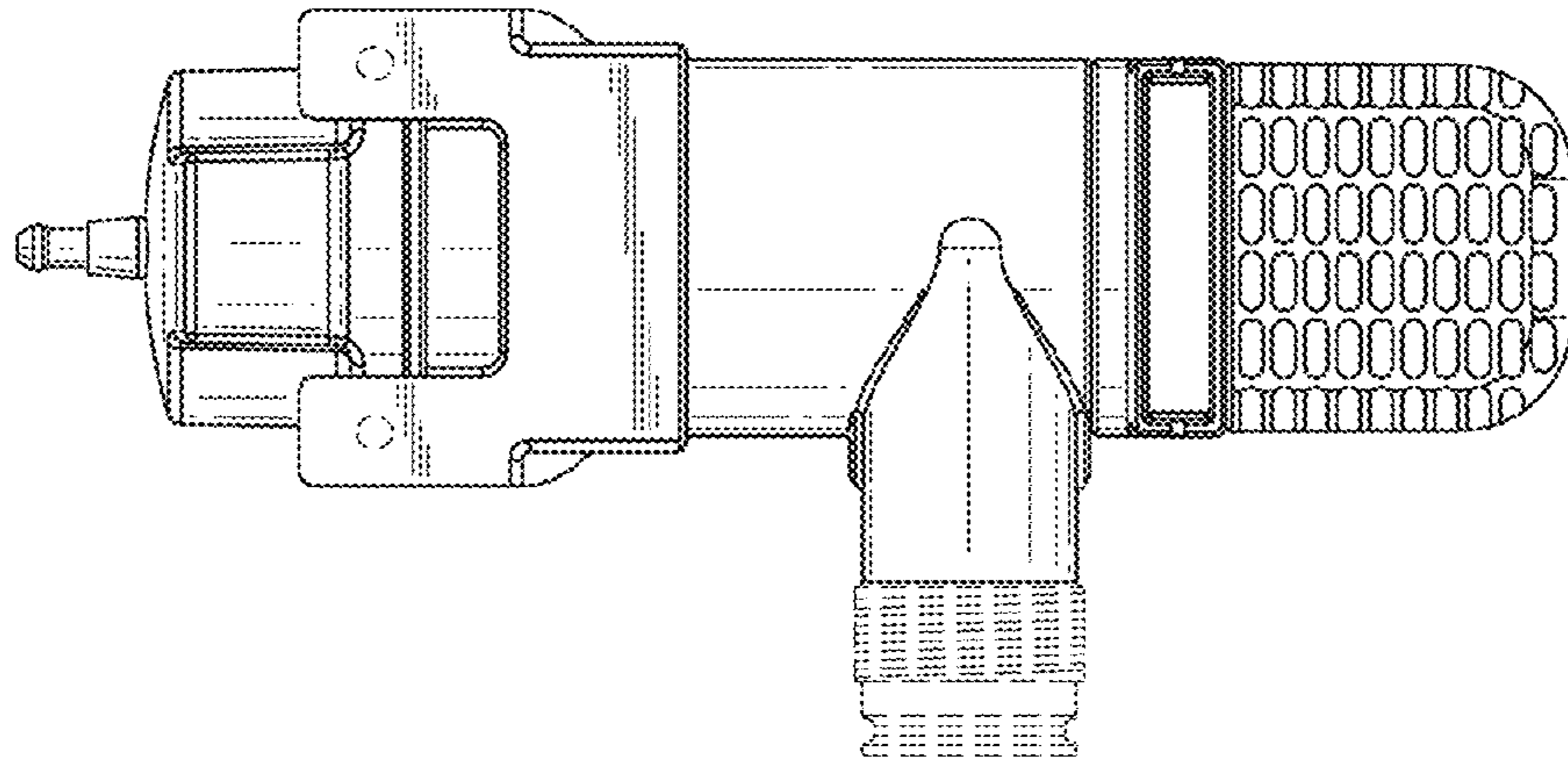


FIG. 6

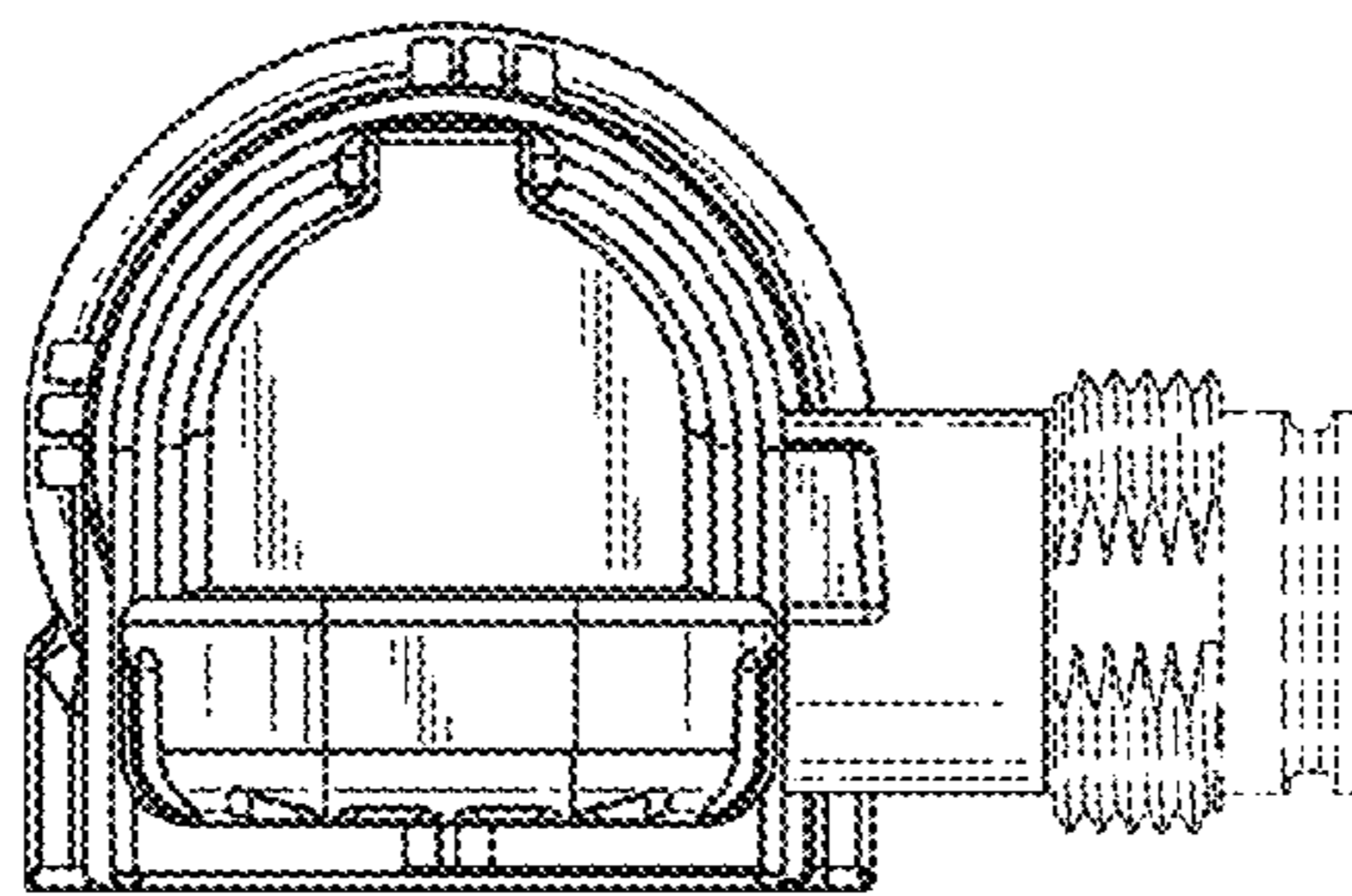


FIG. 7

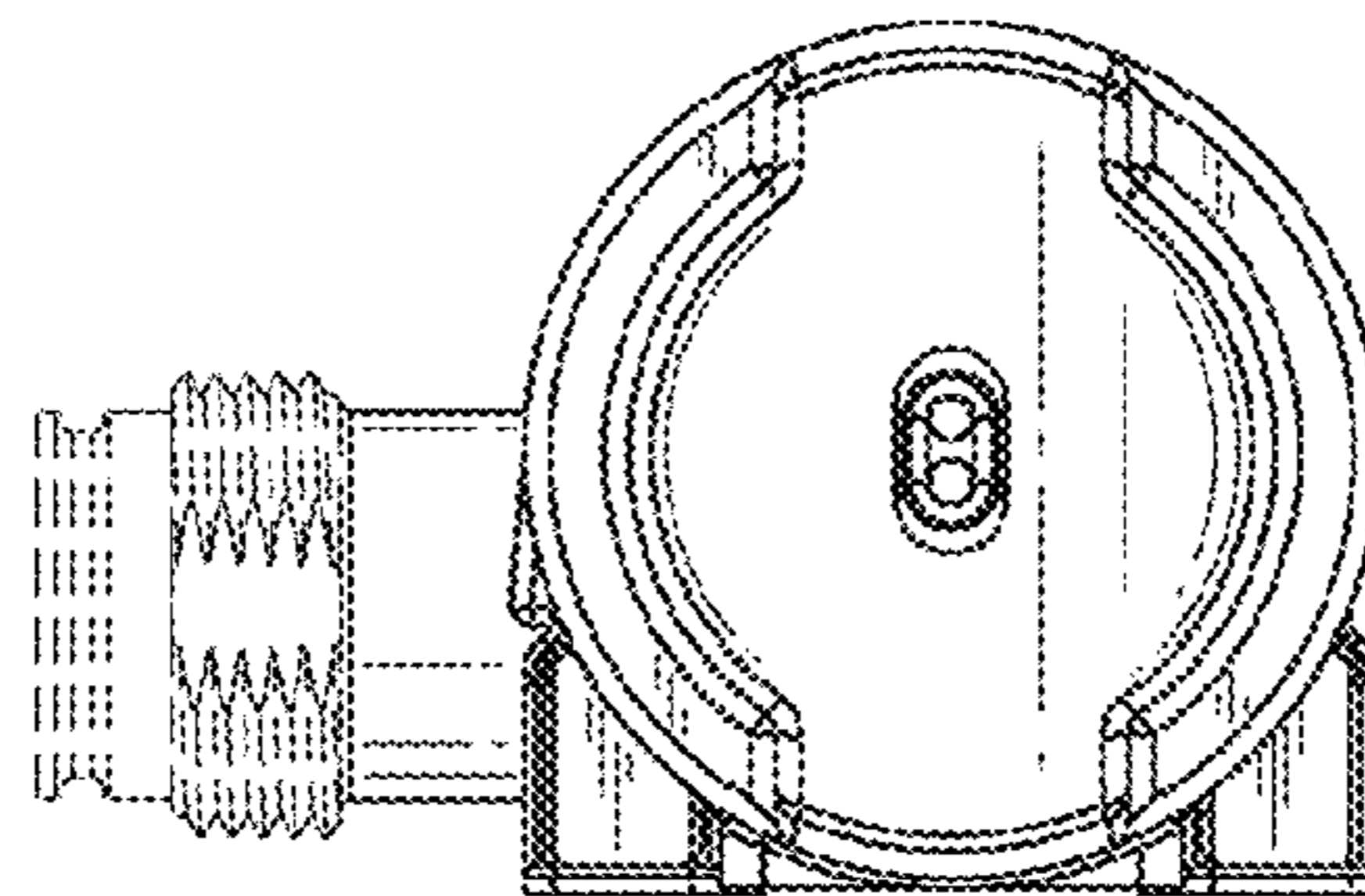


FIG. 8