



US00D752108S

(12) **United States Design Patent**
Won et al.

(10) **Patent No.:** **US D752,108 S**
(45) **Date of Patent:** **** Mar. 22, 2016**

(54) **AV PLAYER**

(56) **References Cited**

(71) Applicant: **Samsung Electronics Co., Ltd.**,
Suwon-si; Gyeonggi-do (KR)

(72) Inventors: **Donghee Won**, Seoul (KR); **Jaewook Yoo**, Seoul (KR)

(73) Assignee: **SAMSUNG ELECTRONICS CO., LTD.**, Suwon-Si, Gyeonggi-Do (KR)

(**) Term: **14 Years**

(21) Appl. No.: **29/521,550**

(22) Filed: **Mar. 24, 2015**

(30) **Foreign Application Priority Data**

Oct. 27, 2014 (KR) 30-2014-0051222

(51) **LOC (10) Cl.** **14-01**

(52) **U.S. Cl.**
USPC **D14/500**

(58) **Field of Classification Search**
USPC D14/363-368, 125, 496, 498-511,
D14/168-171, 188-198, 257, 260-260.1;
455/90.1-90.3, 344-355;
720/600-601, 612, 619, 655; 174/50
CPC H05K 5/04
See application file for complete search history.

U.S. PATENT DOCUMENTS

D270,442 S *	9/1983	O'Leary	D14/502
D512,037 S *	11/2005	Huang	D14/502
D530,689 S *	10/2006	Ishibashi	D14/505
D554,606 S *	11/2007	Kimura	D14/506
D578,975 S *	10/2008	Mochizuki	D14/502
D683,765 S *	6/2013	Ahn	D14/496
D703,697 S *	4/2014	Onoue	D14/498
D708,229 S *	7/2014	Onoue	D14/498

* cited by examiner

Primary Examiner — Sandra Morris

(74) *Attorney, Agent, or Firm* — Ladas & Parry LLP

(57) **CLAIM**

We claim the ornamental design for AV player, as shown and described.

DESCRIPTION

FIG. 1 is the front perspective view of AV player showing our new design;

FIG. 2 is the front view thereof;

FIG. 3 is the rear view thereof;

FIG. 4 is the left-side view thereof;

FIG. 5 is the right-side view thereof;

FIG. 6 is the top plan view thereof; and,

FIG. 7 is the bottom plan view thereof.

The broken lines in the drawing show unclaimed environment only and form no part of the claimed design.

1 Claim, 7 Drawing Sheets

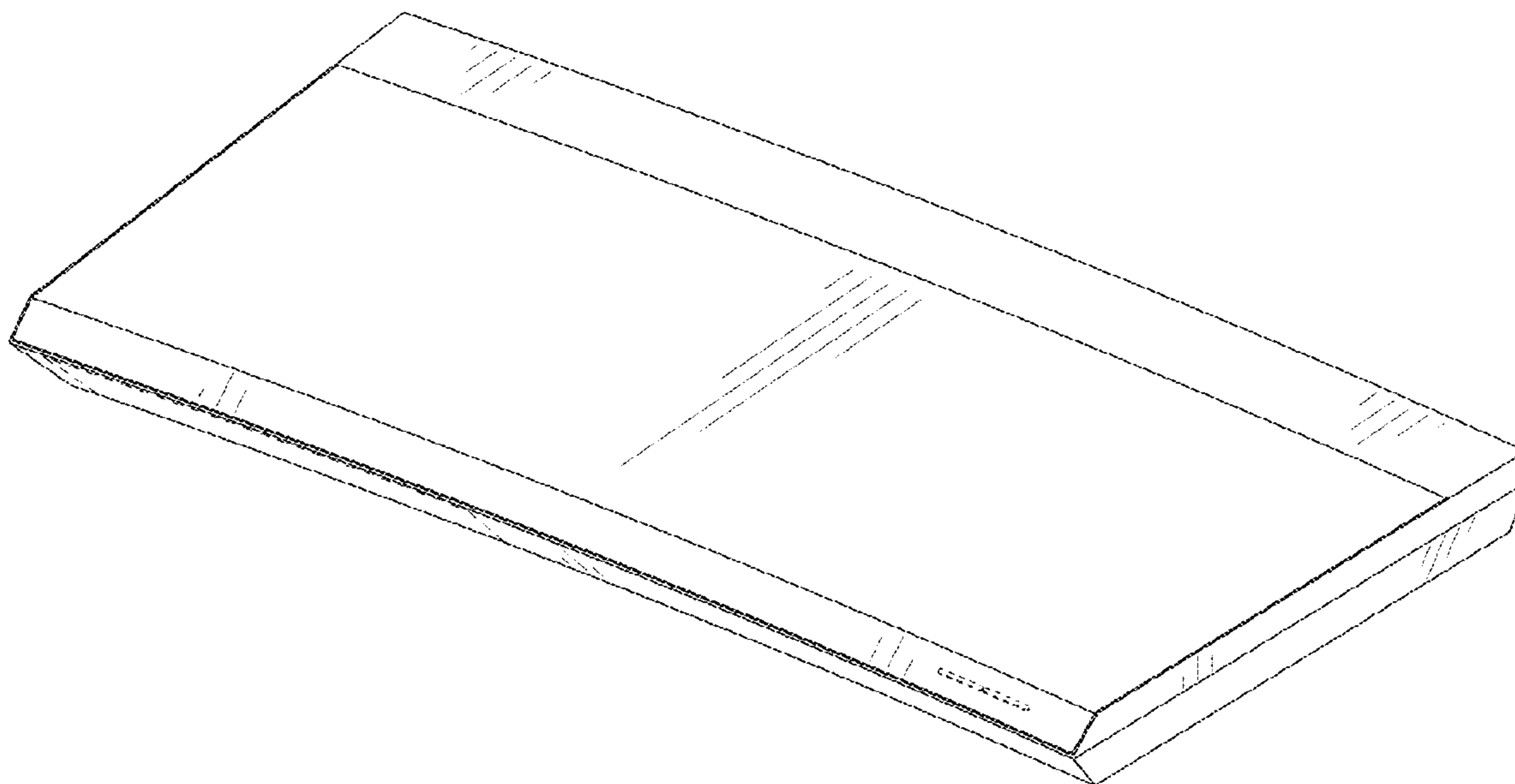


FIG. 1

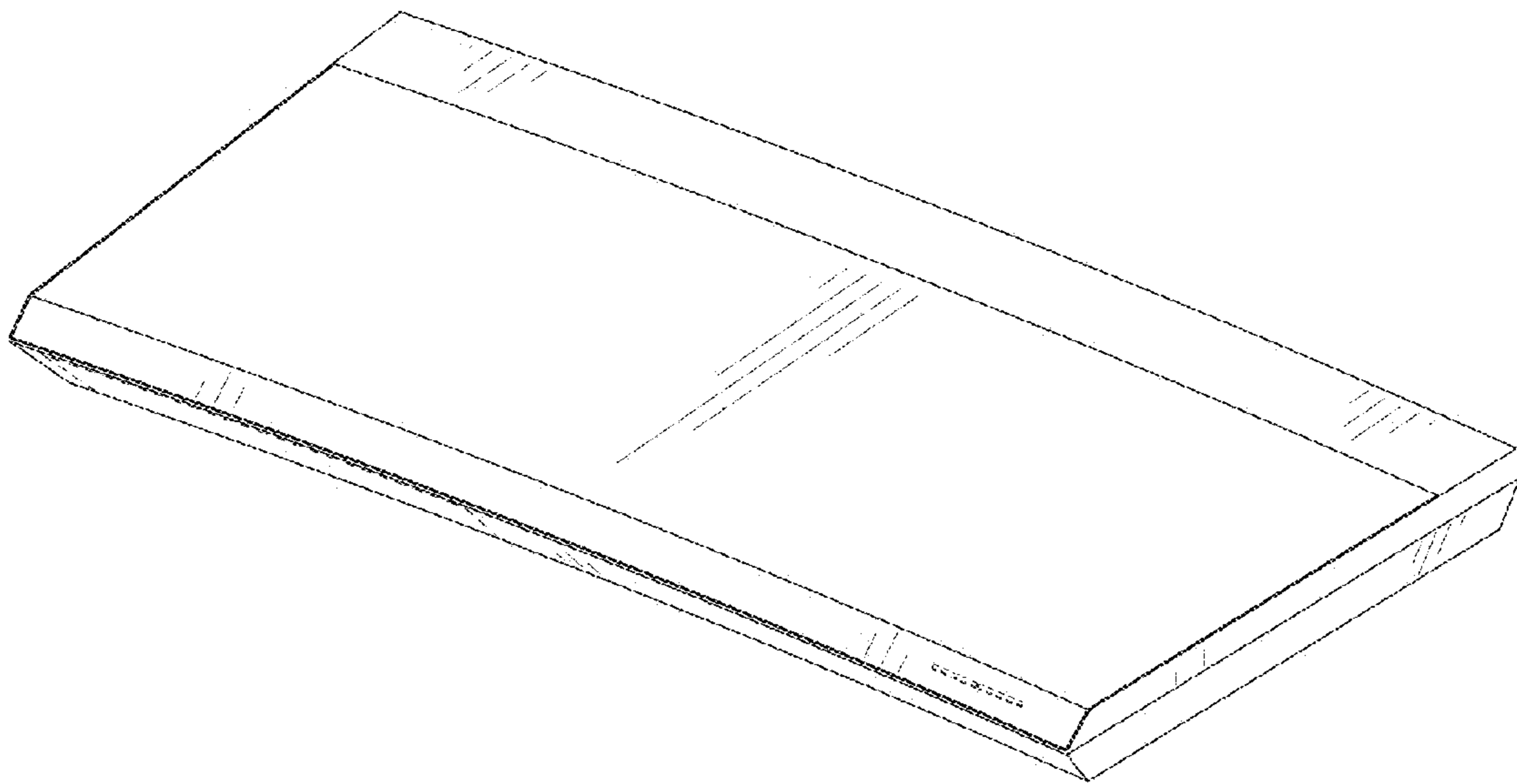


FIG. 2



FIG. 3

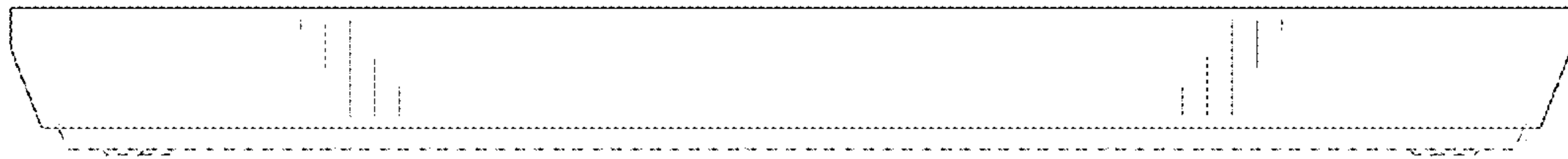


FIG. 4

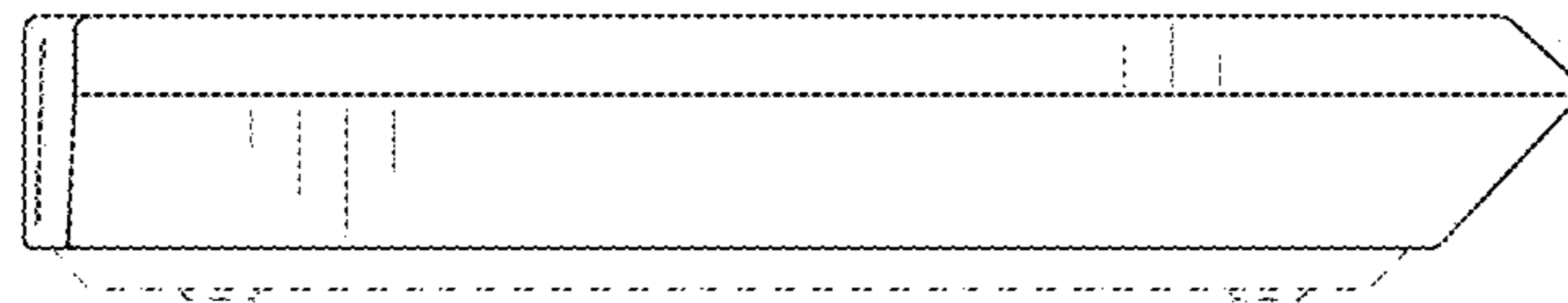


FIG. 5

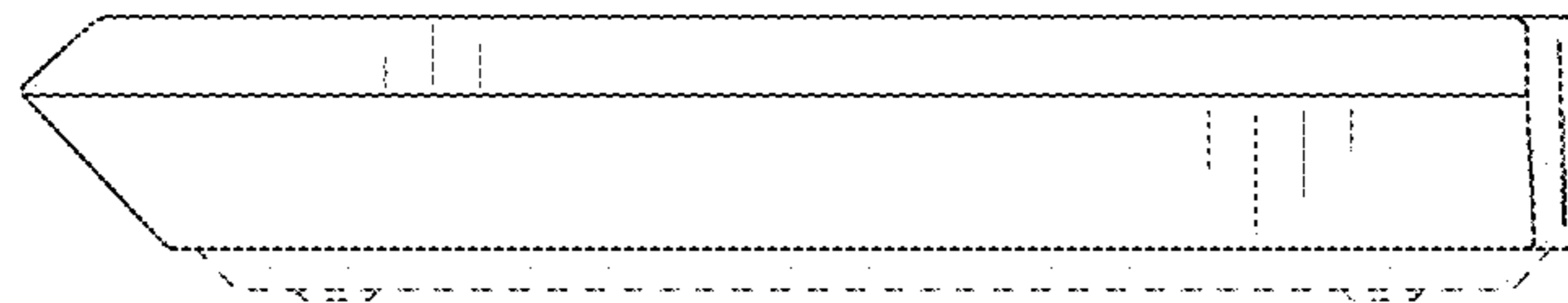


FIG. 6

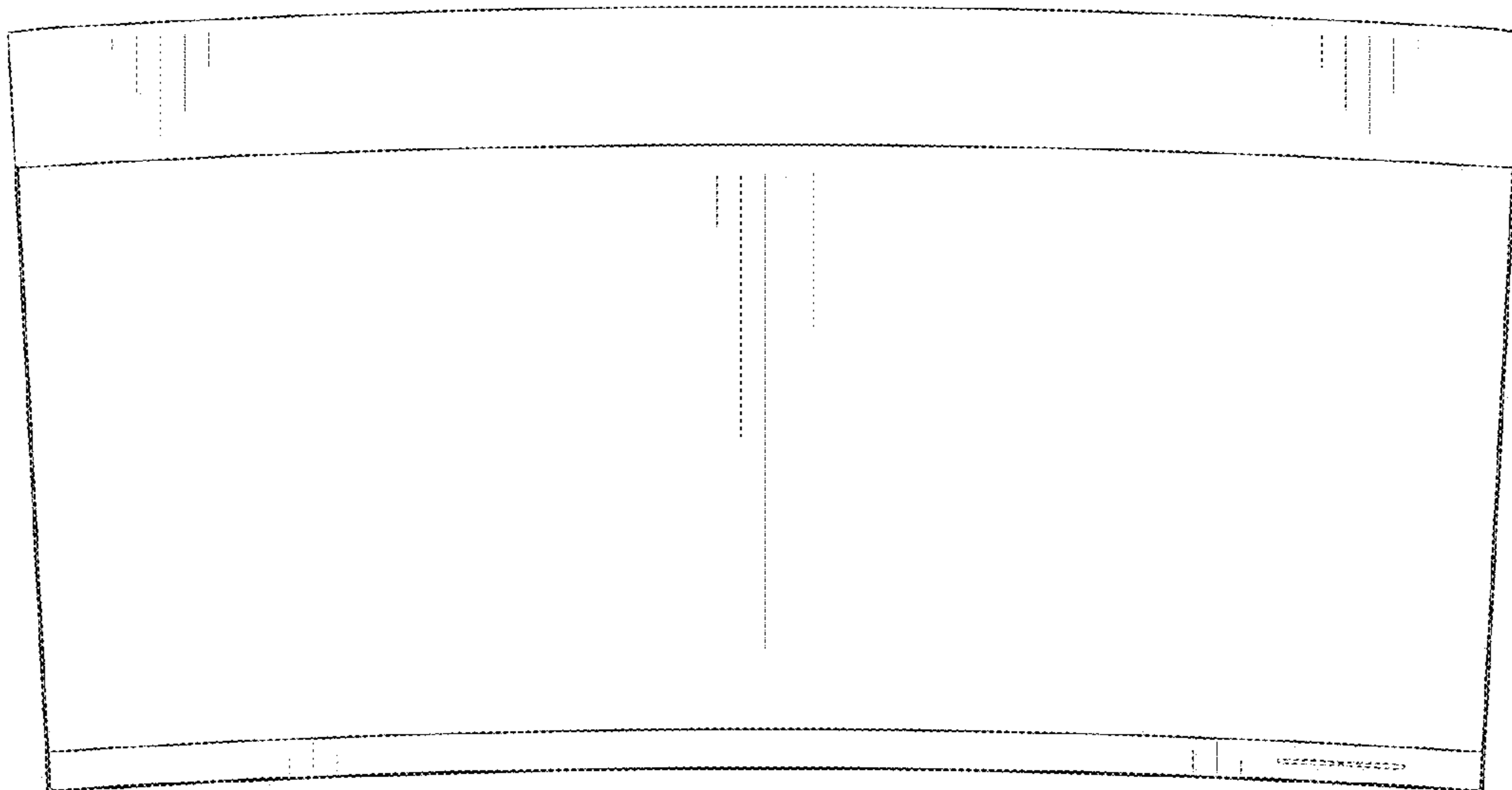


FIG. 7

