



US00D752104S

(12) **United States Design Patent**
Lee et al.

(10) **Patent No.:** **US D752,104 S**
(45) **Date of Patent:** **** Mar. 22, 2016**

(54) **MULTIMEDIA TERMINAL HAVING
TRANSITIONAL GRAPHIC USER
INTERFACE**

(71) Applicant: **LG ELECTRONICS INC.**, Seoul (KR)

(72) Inventors: **Kunho Lee**, Seoul (KR); **Myoungun
Kim**, Seoul (KR); **Jihye Min**, Seoul
(KR); **Yongdeok Lee**, Gyeonggi-do
(KR)

(73) Assignee: **LG Electronics Inc.**, Seoul (KR)

(**) Term: **14 Years**

(21) Appl. No.: **29/456,135**

(22) Filed: **May 29, 2013**

(30) **Foreign Application Priority Data**

Nov. 30, 2012 (KR) 30-2012-0057687

(51) **LOC (10) Cl.** **14-04**

(52) **U.S. Cl.**
USPC **D14/494**
CPC **G06F 3/04817** (2013.01)

(58) **Field of Classification Search**
USPC D14/485-495; 715/700-867, 973-977
CPC G06F 3/0481-3/0486
See application file for complete search history.

(56) **References Cited**

U.S. PATENT DOCUMENTS

D402,645 S * 12/1998 Garguilo D14/492
D422,985 S * 4/2000 Bright D14/492
6,289,361 B1 * 9/2001 Uchida G06T 11/60
715/201
6,310,631 B1 * 10/2001 Cecco G06F 3/0481
715/792
D471,226 S * 3/2003 Gray D14/488
D582,930 S * 12/2008 Blankenship D14/485
D586,821 S * 2/2009 Koh D14/486
D608,368 S * 1/2010 Bamford D14/486

D613,300 S * 4/2010 Chaudhri D14/488
D619,146 S * 7/2010 Flik D14/493
D624,928 S * 10/2010 Agnetta D14/487
D624,932 S * 10/2010 Chaudhri D14/488
D664,974 S * 8/2012 Gleasman D14/486
D669,911 S * 10/2012 Arnold D14/487
D669,912 S * 10/2012 Guss D14/487
D670,725 S * 11/2012 Mori D14/486
D682,288 S * 5/2013 Donahue D14/486
D682,307 S * 5/2013 Donahue D14/488

(Continued)

Primary Examiner — Richard E Chilcot

(74) *Attorney, Agent, or Firm* — Morgan, Lewis & Bockius
LLP

(57) **CLAIM**

The ornamental design for a multimedia terminal having
transitional graphical user interface, as shown and described.

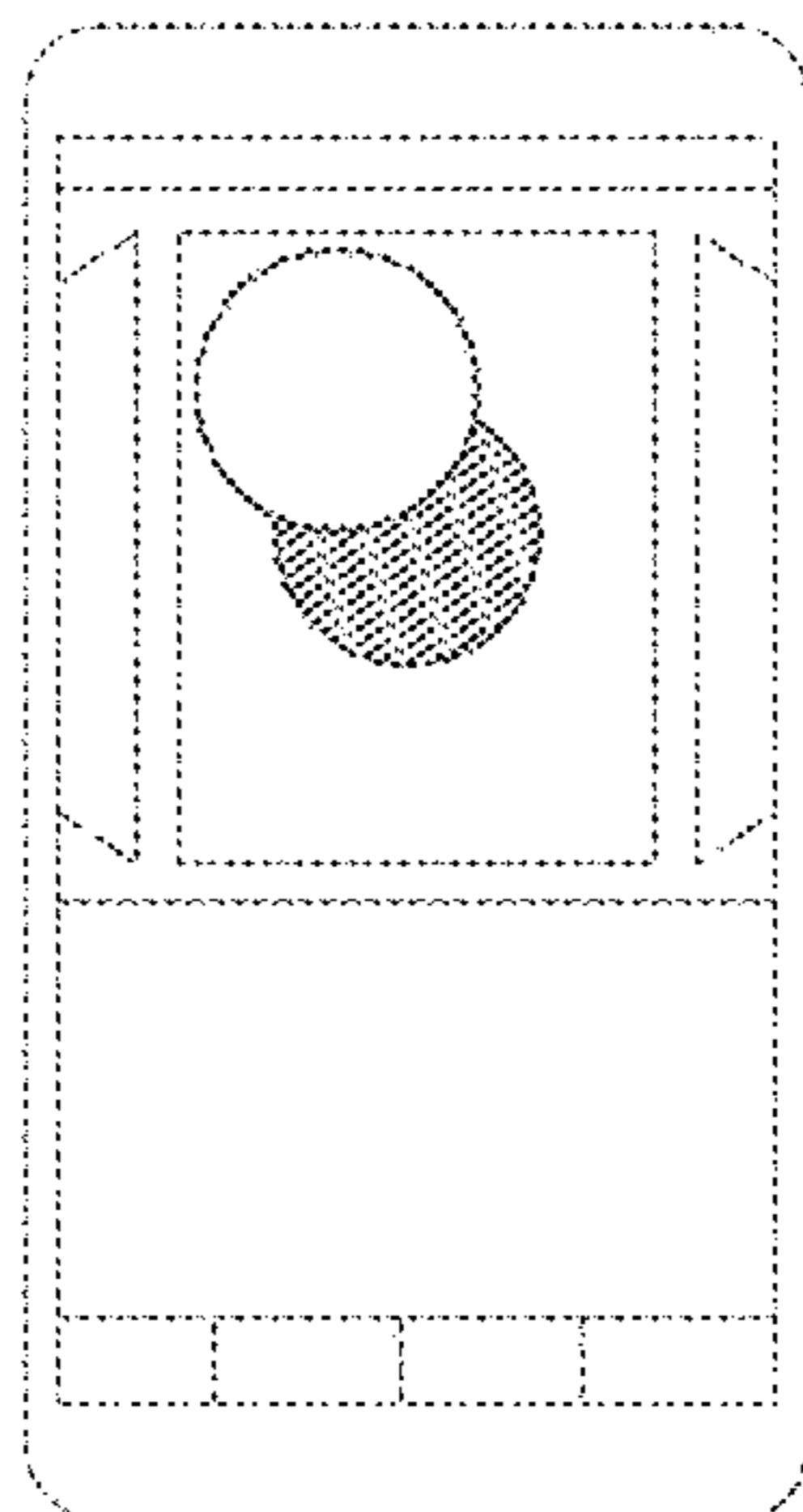
DESCRIPTION

FIG. 1 is a front image of a multimedia terminal having
transitional graphical user interface showing our new design;
FIG. 2 is a second image thereof;
FIG. 3 is a third image thereof;
FIG. 4 is a fourth image thereof;
FIG. 5 is a fifth image thereof;
FIG. 6 is a sixth image thereof;
FIG. 7 is a seventh image thereof;
FIG. 8 is an eighth image thereof;
FIG. 9 is a ninth image thereof;
FIG. 10 is a tenth image thereof;
FIG. 11 is an eleventh image thereof;
FIG. 12 is a twelfth image thereof;
FIG. 13 is a thirteenth image thereof; and,
FIG. 14 is a fourteenth image thereof.

The broken lines shown in the drawings are for illustrative
purposes only and form no part of the claimed design.

The appearance of the transitional image sequentially transi-
tions between the images shown in FIGS. 1-14. No ornamen-
tal aspects are associated with the process or period in which
one image transitions to another image.

1 Claim, 14 Drawing Sheets



(56)

References Cited

U.S. PATENT DOCUMENTS

D686,221 S *	7/2013	Brinda	D14/486	D717,321 S *	11/2014	Lee	D14/486
D701,228 S *	3/2014	Lee	D14/486	D717,322 S *	11/2014	Lee	D14/486
D701,527 S *	3/2014	Brinda	D14/488	D717,323 S *	11/2014	Lee	D14/486
D704,211 S *	5/2014	Agnew	D14/486	D717,326 S *	11/2014	Kim	D14/486
D705,248 S *	5/2014	McCormack	D14/486	D718,781 S *	12/2014	Arnold	D14/486
D706,803 S *	6/2014	Rogowski	D14/486	D721,721 S *	1/2015	Seung-Hyuck	D14/486
D707,249 S *	6/2014	Yamada	D14/488	D721,722 S *	1/2015	Lee	D14/486
D709,916 S *	7/2014	Jang	D14/492	D722,608 S *	2/2015	Donahue	D14/486
D711,416 S *	8/2014	Francisco	D14/486	D725,132 S *	3/2015	Jou	D14/486
D711,906 S *	8/2014	Francisco	D14/486	D725,666 S *	3/2015	Tseng	D14/486
D712,421 S *	9/2014	Inose	D14/486	D725,668 S *	3/2015	Clare	D14/486
D712,914 S *	9/2014	Lee	D14/486	2008/0189653 A1 *	8/2008	Taylor	G06F 3/0481 715/792
D712,915 S *	9/2014	Lee	D14/486	2010/0057016 A1 *	3/2010	Dale	A61M 5/16881 604/250
D712,916 S *	9/2014	Lee	D14/486	2010/0133153 A1 *	6/2010	Beden	A61M 1/1037 210/85
D712,917 S *	9/2014	Lee	D14/486	2010/0325568 A1 *	12/2010	Pedersen	G06F 17/30994 715/765
D713,413 S *	9/2014	Lee	D14/486	2012/0023441 A1 *	1/2012	Wu	G06F 3/0482 715/787
D713,414 S *	9/2014	Lee	D14/486	2012/0151415 A1 *	6/2012	Park	G06F 3/04883 715/835
D713,415 S *	9/2014	Lee	D14/486	2013/0063380 A1 *	3/2013	Wang	G06F 3/04883 345/173
D713,416 S *	9/2014	Lee	D14/486				
D715,315 S *	10/2014	Wood	D14/485				
D716,334 S *	10/2014	Lee	D14/486				
D716,825 S *	11/2014	Bachman	D14/486				
D717,316 S *	11/2014	Lee	D14/486				

* cited by examiner

FIG. 1

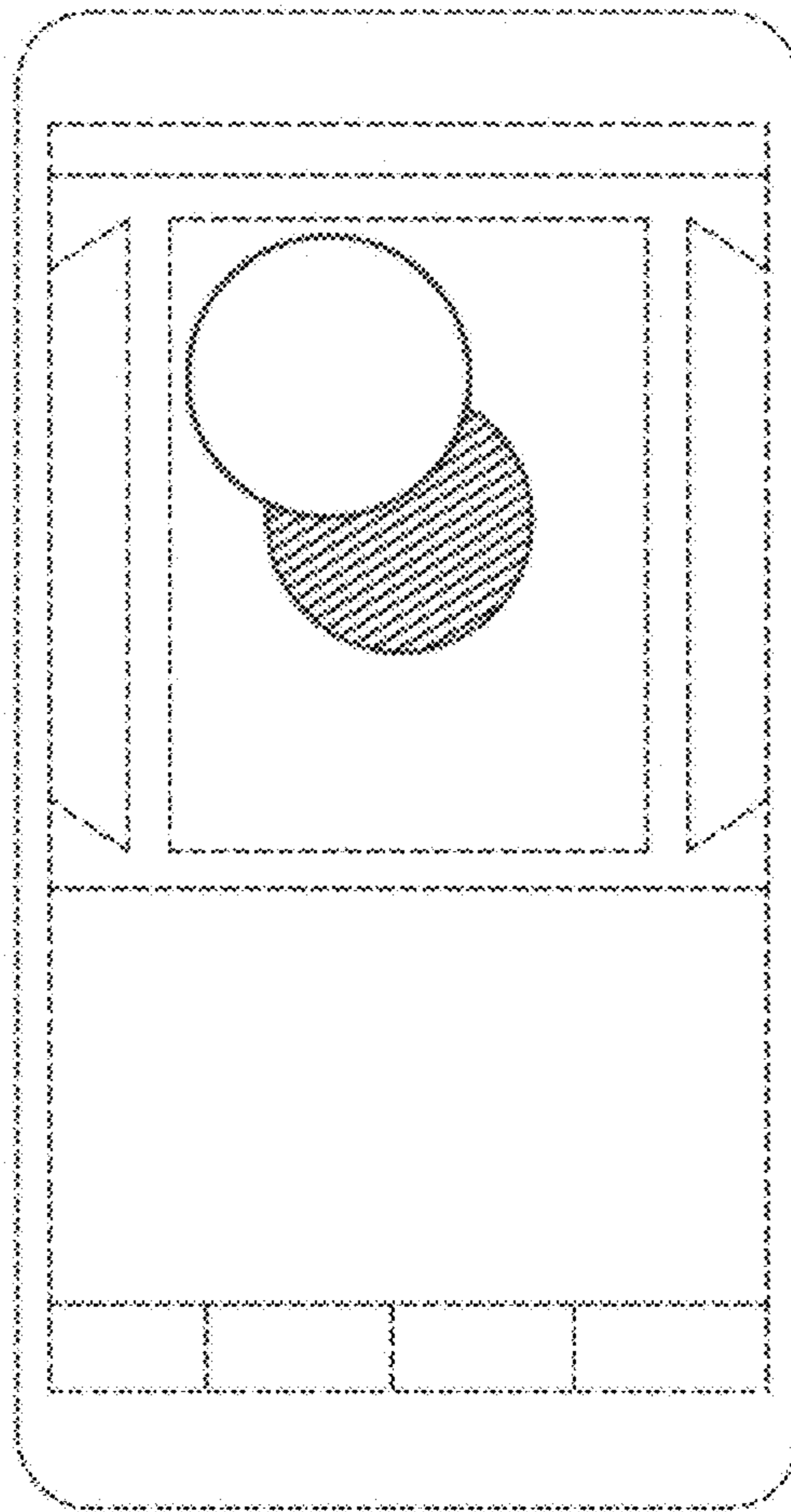


FIG. 2

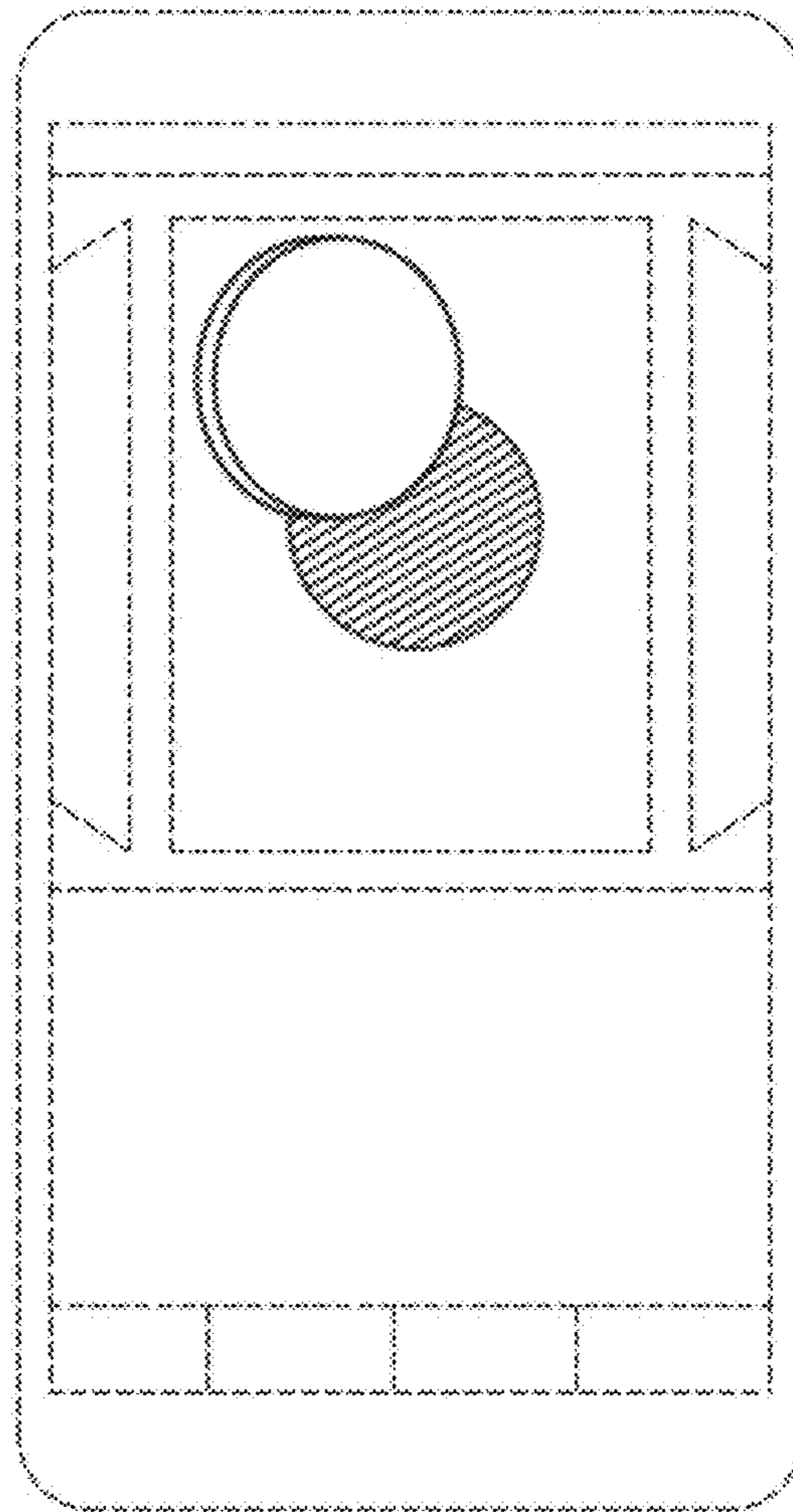


FIG. 3

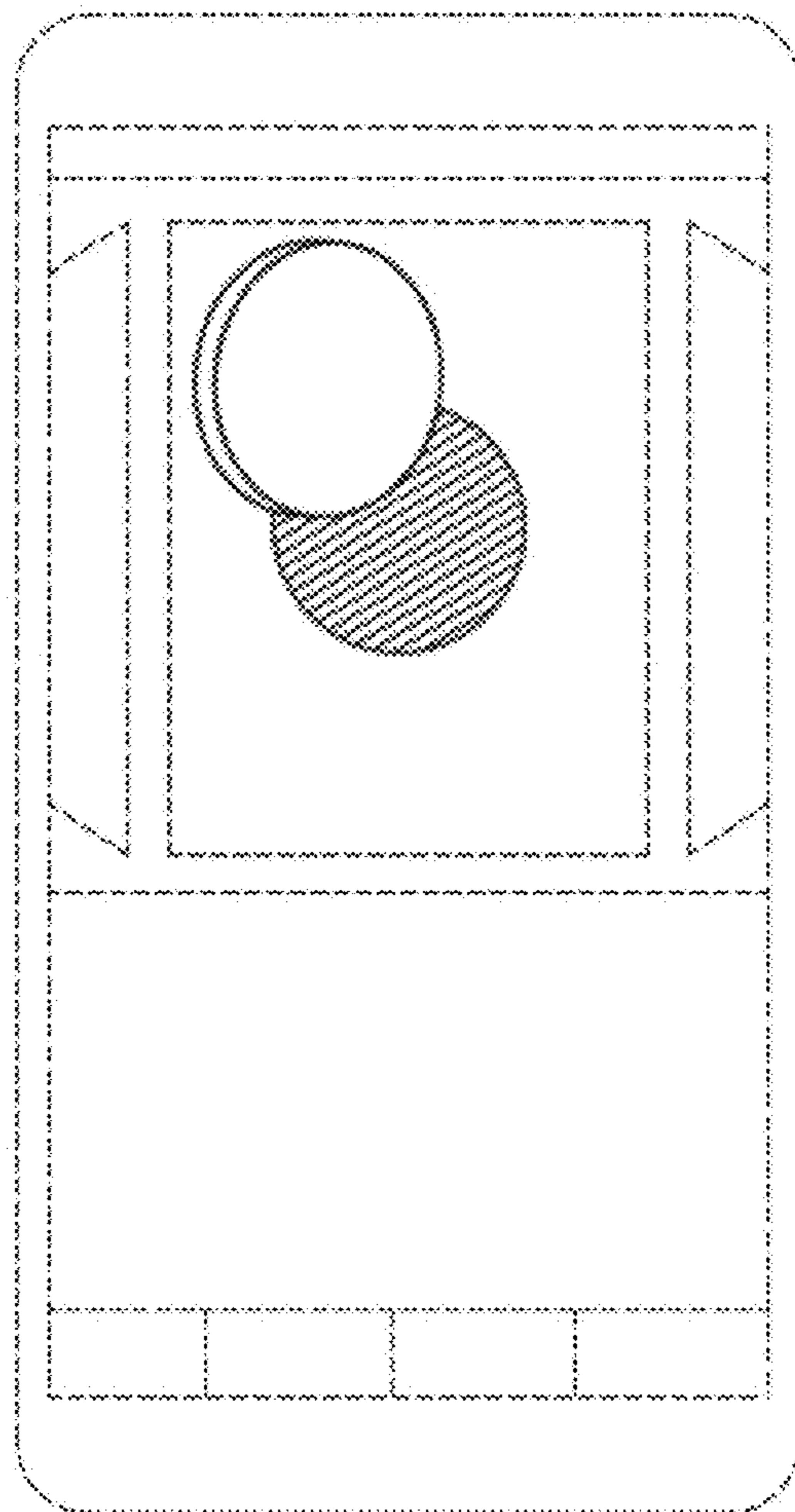


FIG. 4

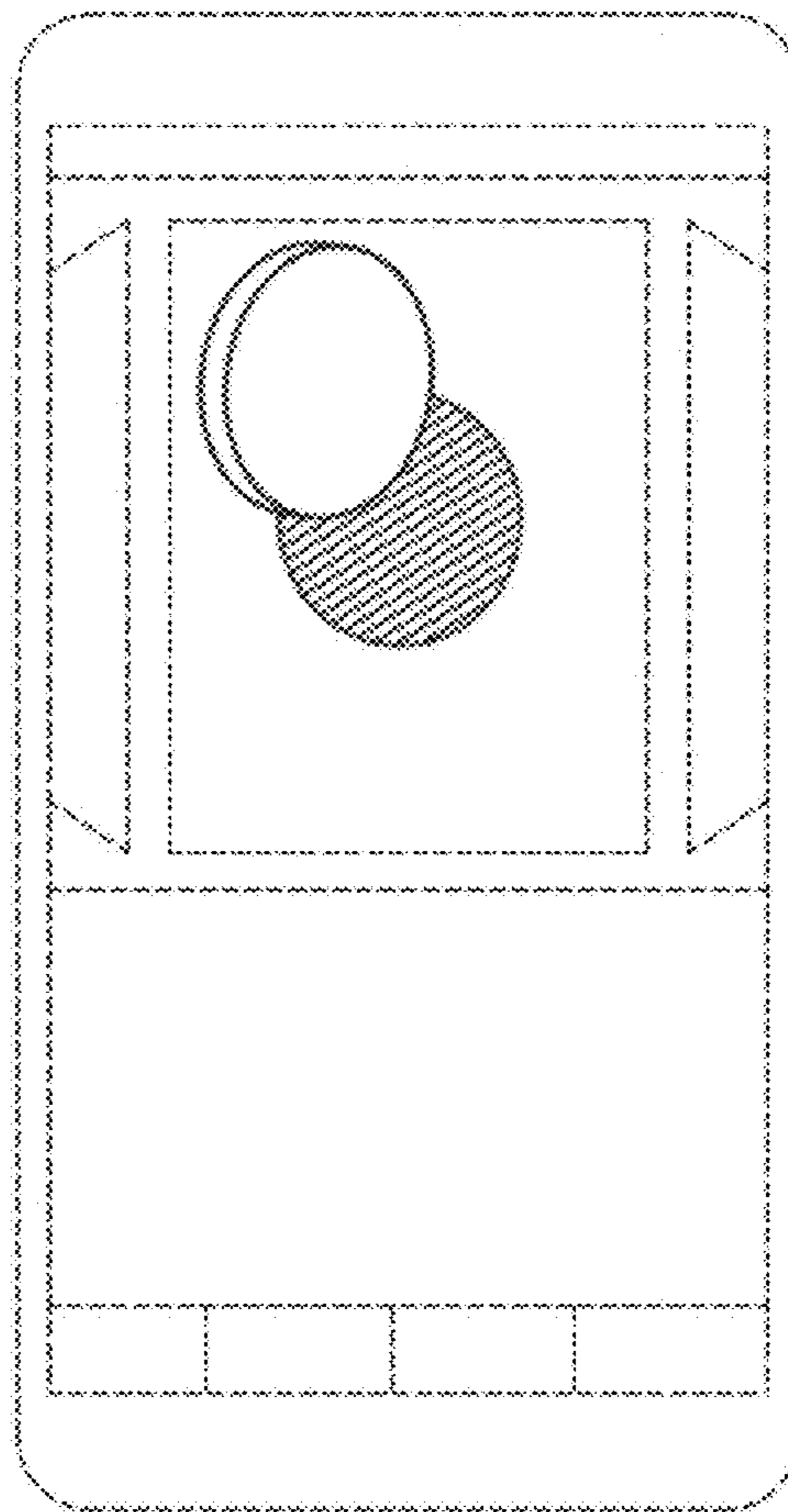


FIG. 5

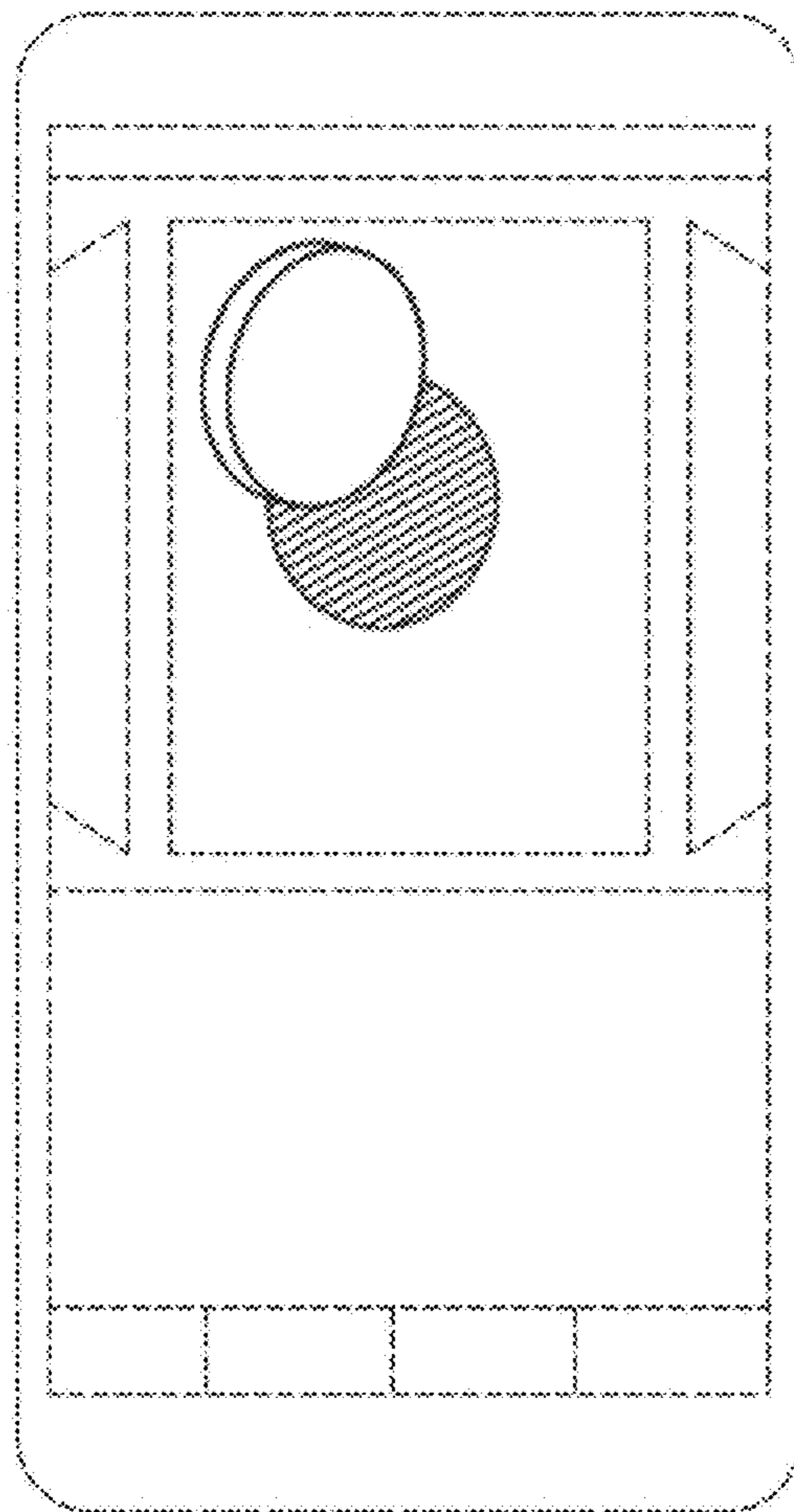


FIG. 6

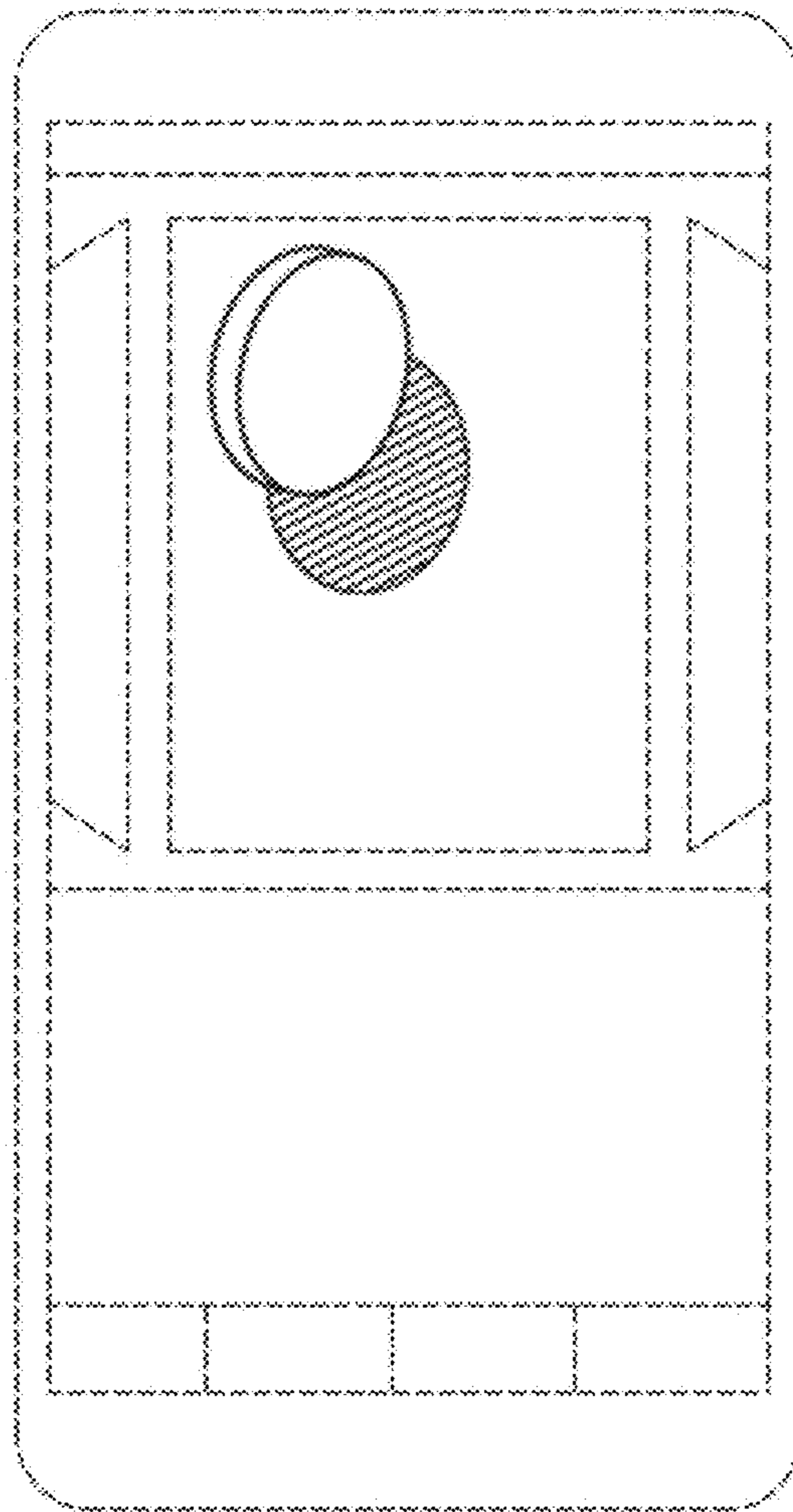


FIG. 7

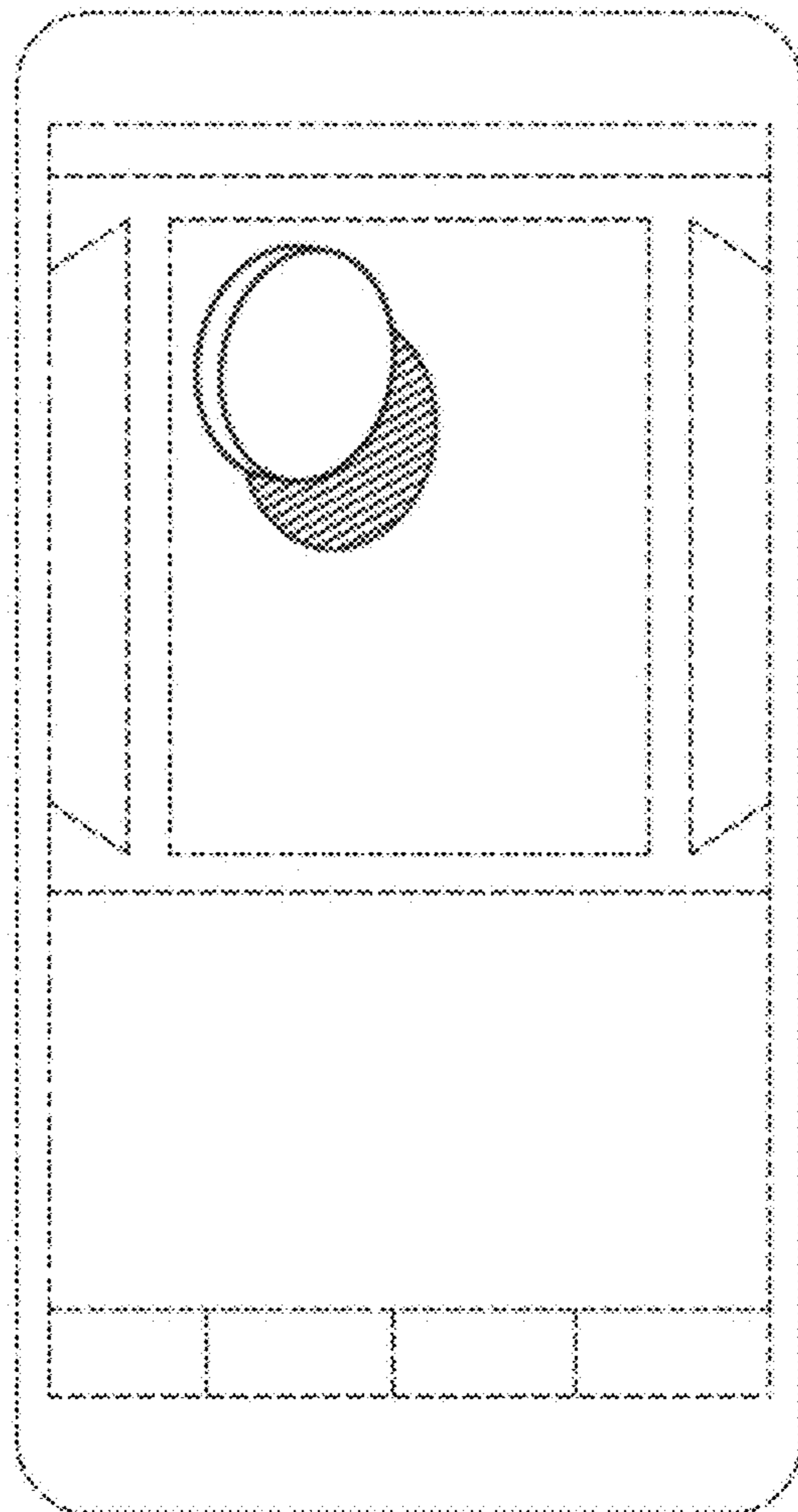


FIG. 8

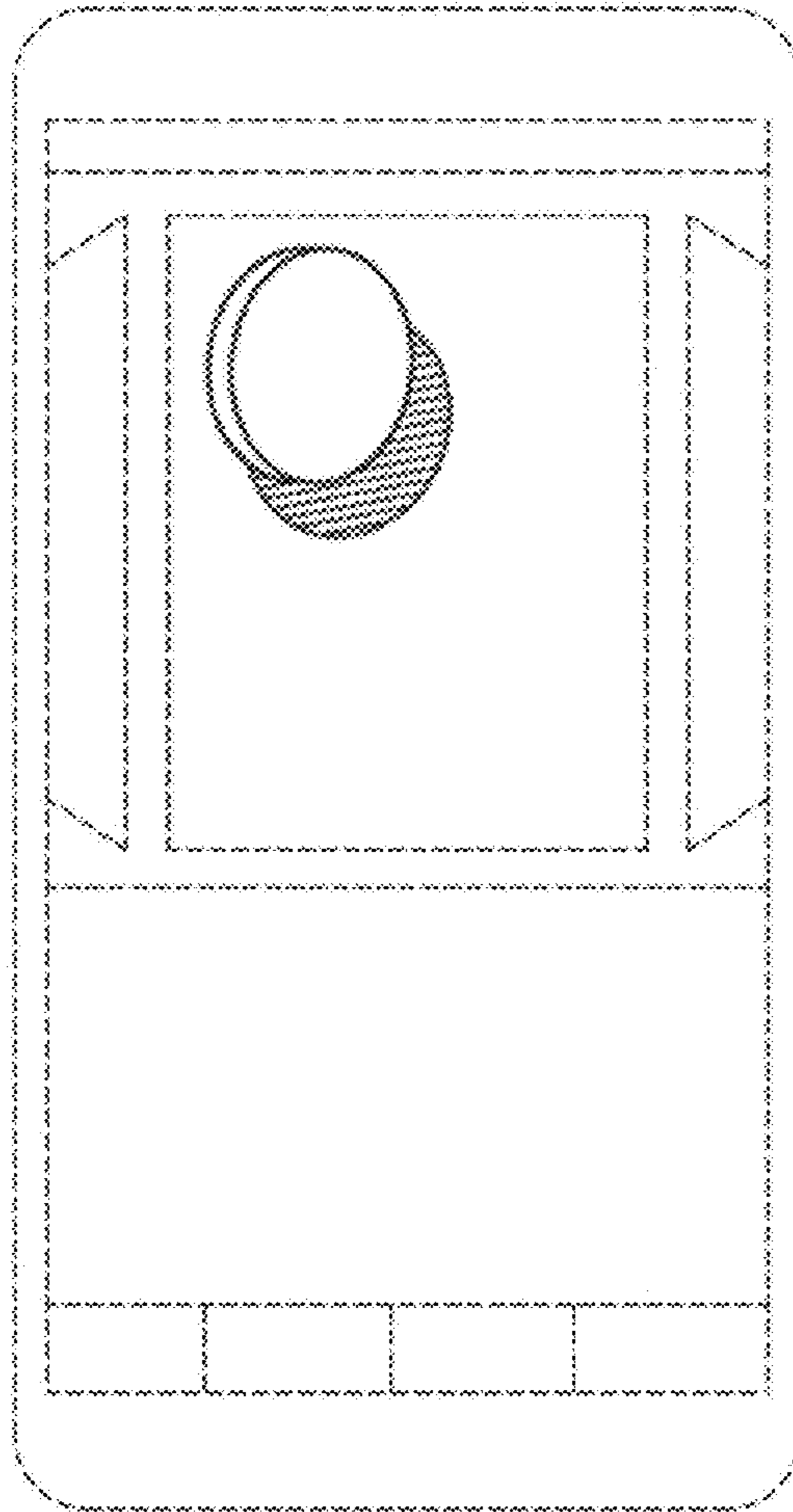


FIG. 9

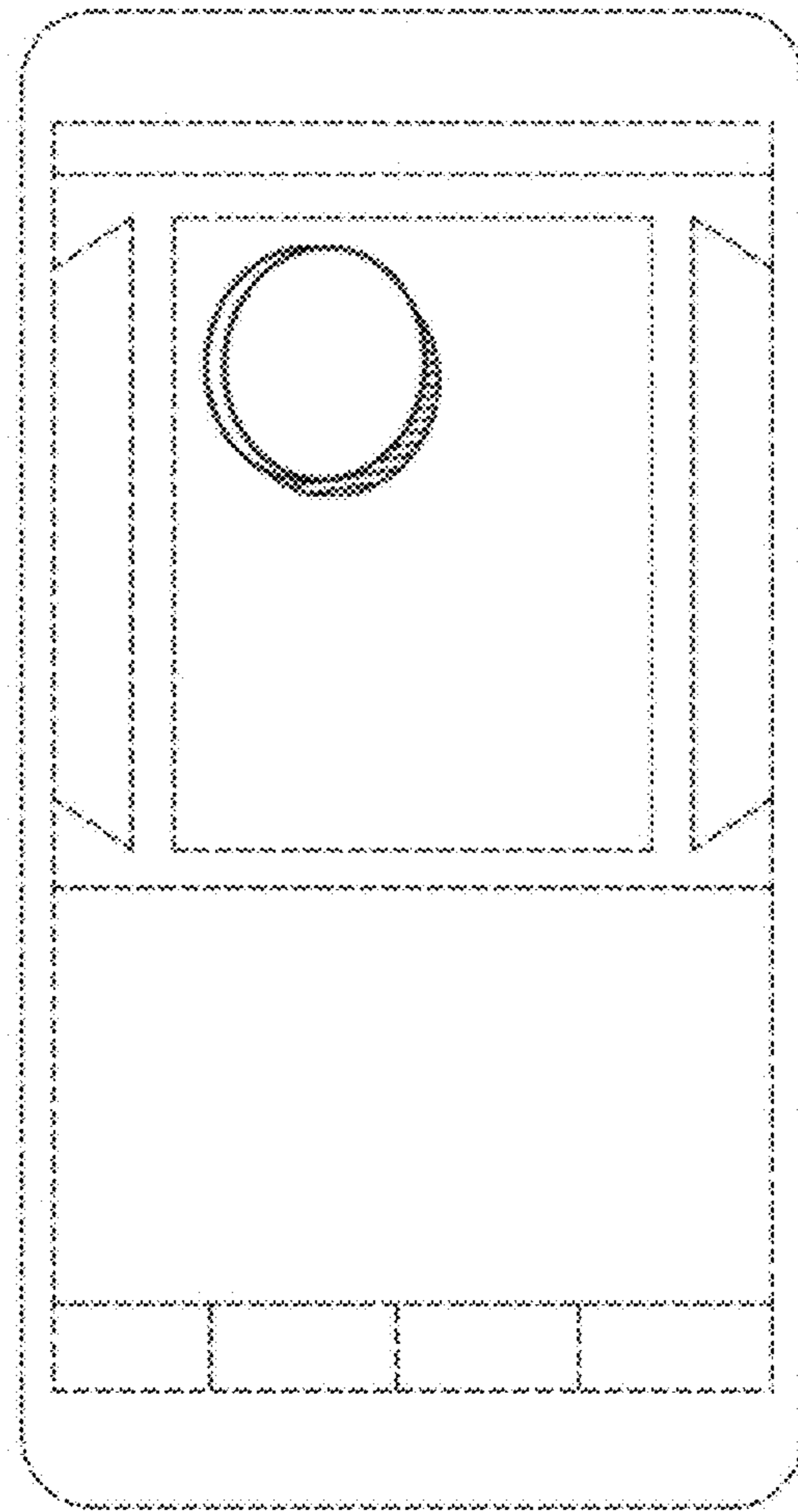


FIG. 10

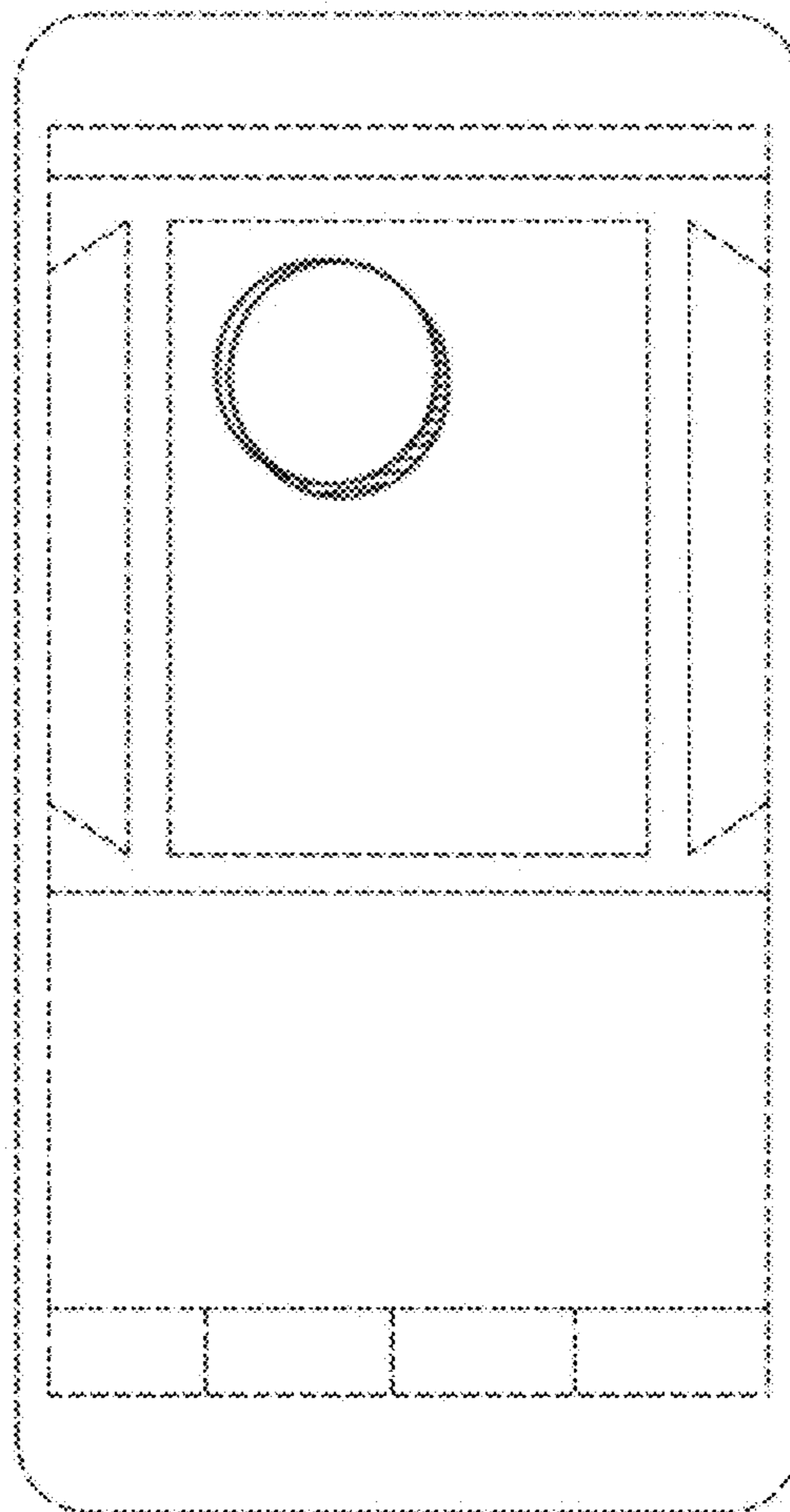


FIG. 11

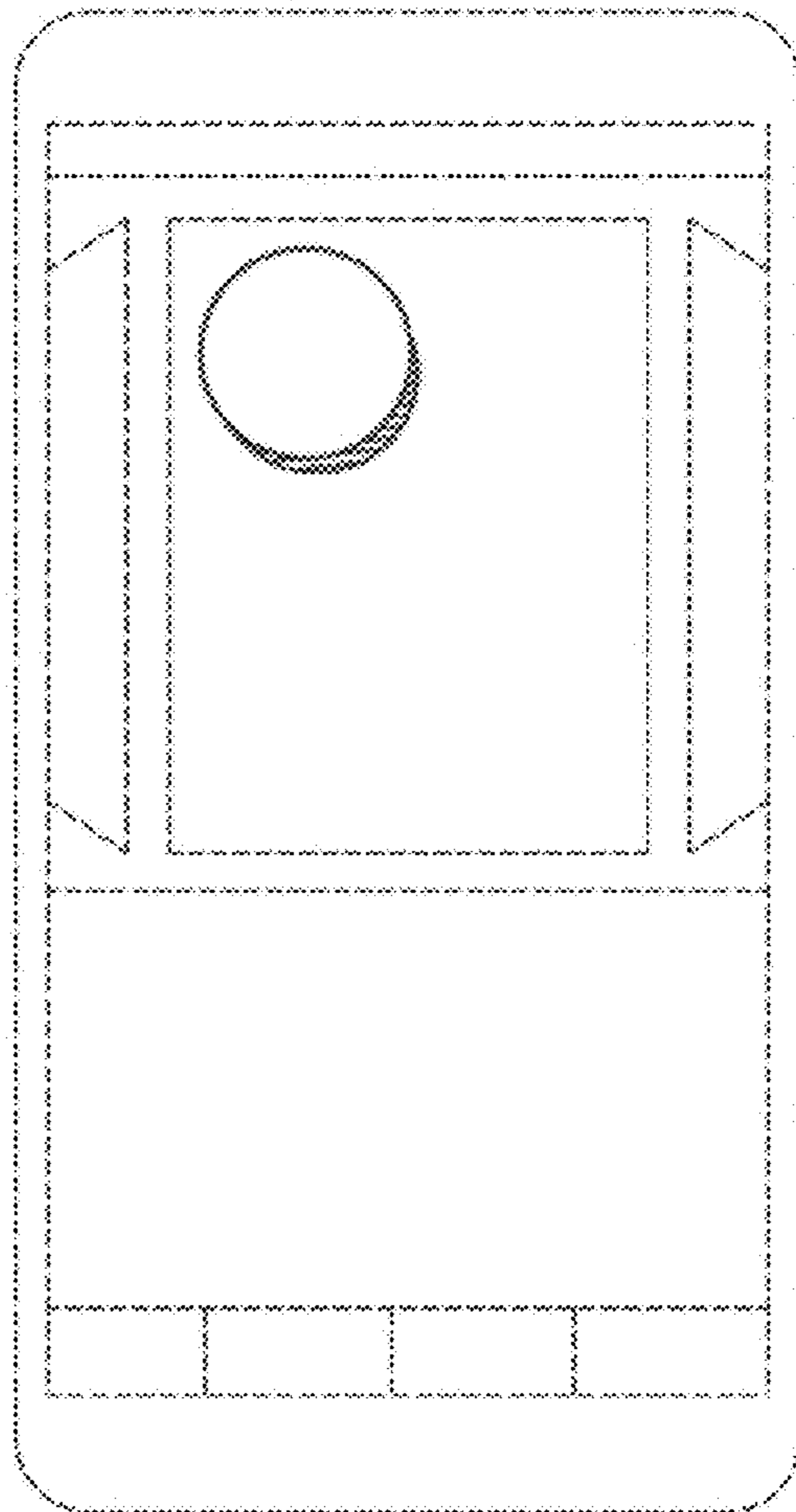


FIG. 12

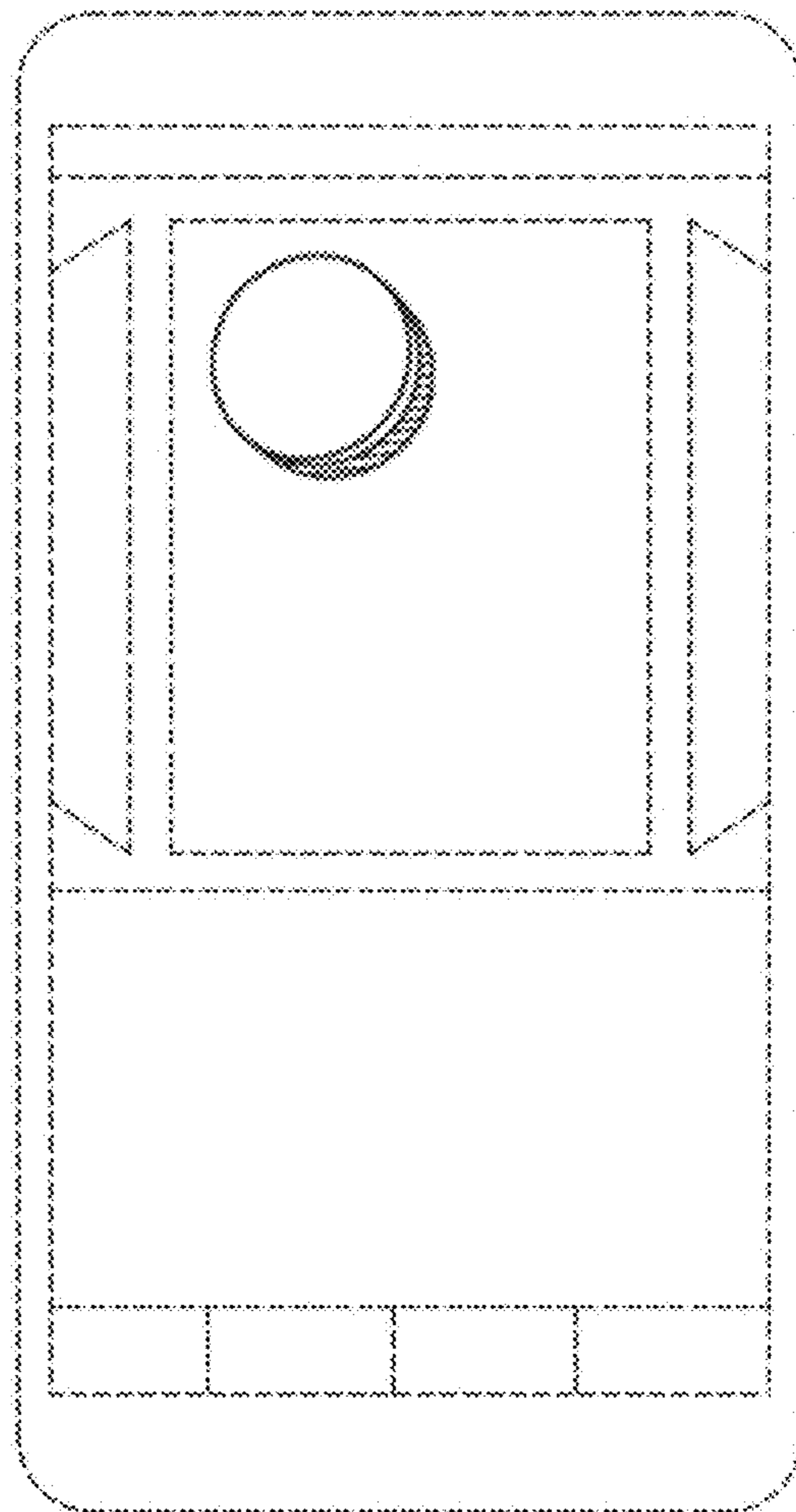


FIG. 13

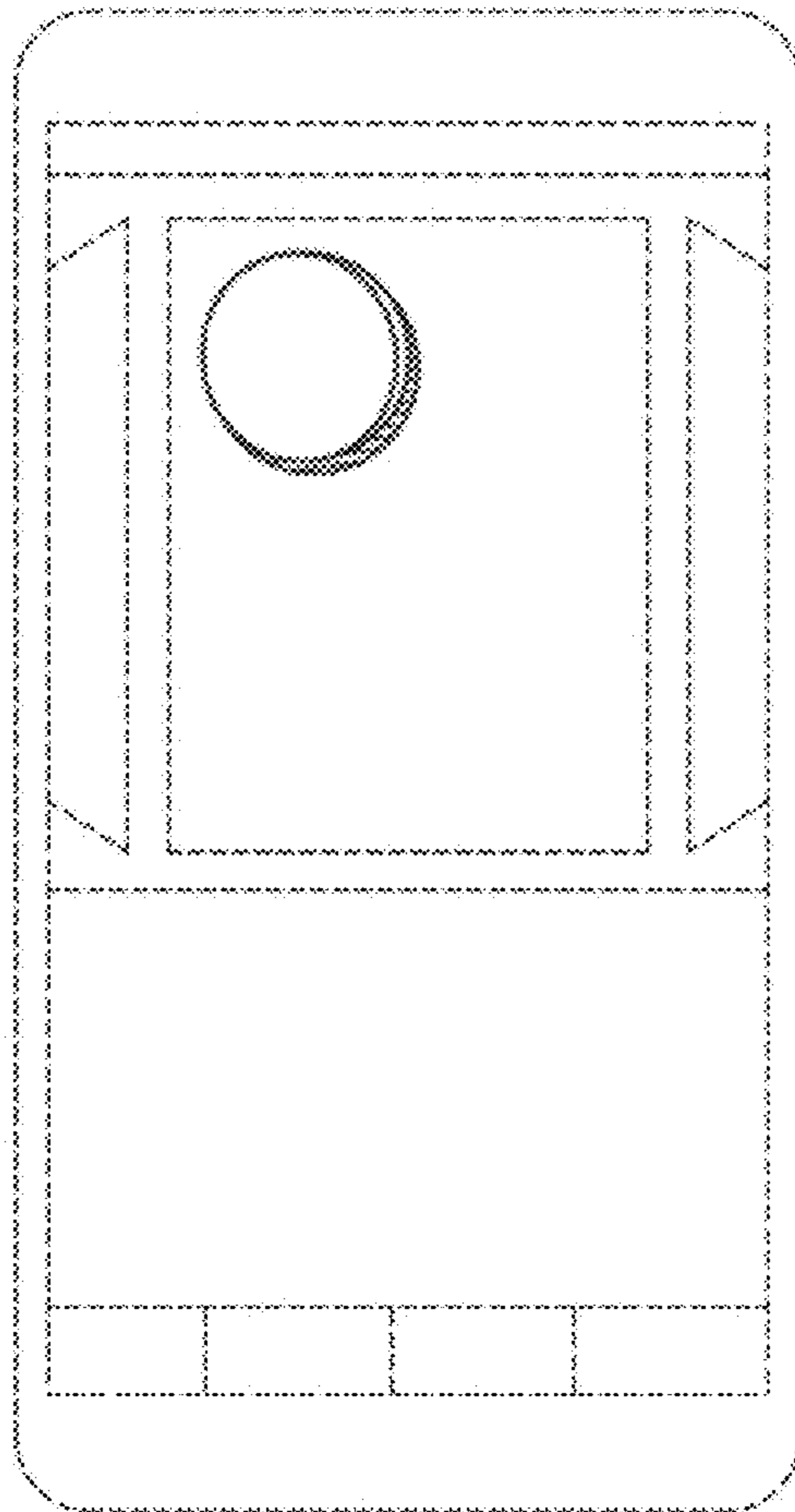


FIG. 14

