



US00D752089S

(12) **United States Design Patent**
Cru et al.

(10) **Patent No.:** **US D752,089 S**
(45) **Date of Patent:** **** Mar. 22, 2016**

(54) **DISPLAY SCREEN OR PORTION THEREOF WITH GRAPHICAL USER INTERFACE**

(71) Applicant: **Novus Partners, Inc.**, New York, NY (US)

(72) Inventors: **David Cru**, New York, NY (US); **Basil Qunibi**, Astoria, NY (US); **Tyler Wolf**, New York, NY (US)

(73) Assignee: **Novus Partners, Inc.**, New York, NY (US)

(**) Term: **14 Years**

(21) Appl. No.: **29/468,638**

(22) Filed: **Oct. 1, 2013**

(51) **LOC (10) Cl.** **14-04**

(52) **U.S. Cl.**

USPC **D14/488**

(58) **Field of Classification Search**

USPC D14/485-495; D18/26, 31, 32, 33; D20/11, 12, 23, 24, 25, 29, 30, 31, 32, D20/36, 37, 38; 715/702, 764, 838

CPC G06F 3/048; G06F 3/0481; G06F 3/0482; G06F 3/04817; G06F 3/04812

See application file for complete search history.

(56) **References Cited**

U.S. PATENT DOCUMENTS

6,952,221	B1 *	10/2005	Holtz et al.	715/723
7,299,421	B2 *	11/2007	Kohyama et al.	715/777
7,441,193	B1 *	10/2008	Wild et al.	715/733
8,626,750	B2 *	1/2014	Mandel et al.	707/722

D722,616	S *	2/2015	Sonnleitner et al.	D14/492
2002/0109737	A1 *	8/2002	Jaeger	345/863
2010/0256821	A1 *	10/2010	Jeung et al.	700/276
2010/0318917	A1 *	12/2010	Holladay et al.	715/735
2013/0346858	A1 *	12/2013	Neyrinck	715/716
2014/0173519	A1 *	6/2014	Sassi	715/833
2015/0106711	A1 *	4/2015	Violainen	715/716
2015/0160800	A1 *	6/2015	Kuwahara et al.	715/716
2015/0169280	A1 *	6/2015	Suzuki et al.	715/716

* cited by examiner

Primary Examiner — Philip S Hyder

Assistant Examiner — Darlington Ly

(74) *Attorney, Agent, or Firm* — Sterne, Kessler, Goldstein & Fox P.L.L.C.

(57) **CLAIM**

The ornamental design for a display screen or portion thereof with graphical user interface, as shown and described.

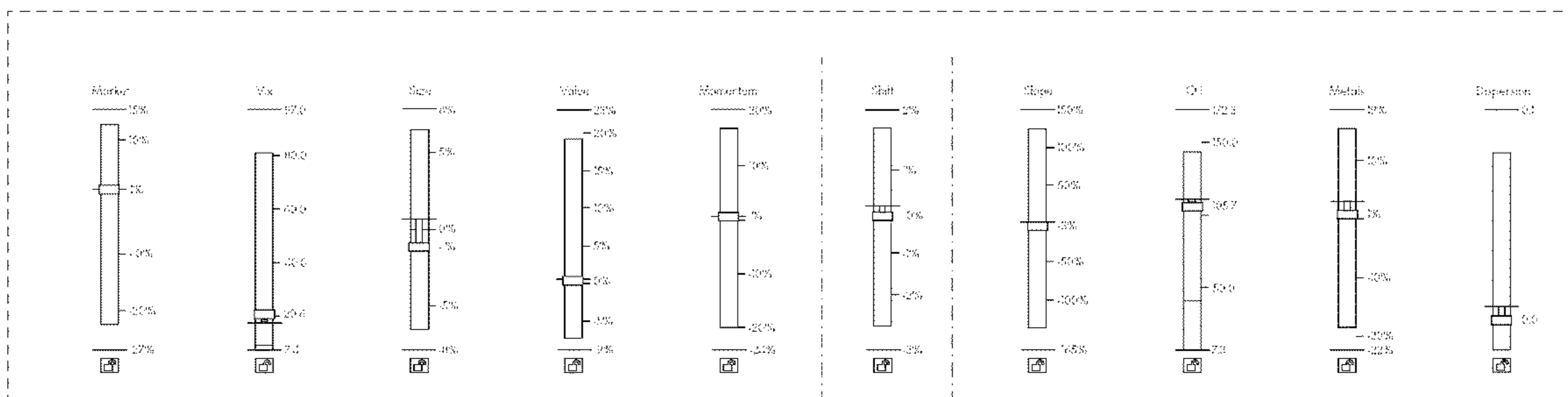
DESCRIPTION

FIG. 1 is a front view of a display screen or portion thereof with graphical user interface showing our new design; FIG. 2 is an enlarged view thereof shown in two parts, 2A and 2B; and,

FIG. 3 is an enlarged view of a portion of FIG. 1.

The outermost dashed broken lines in the Figures show a display screen or portion thereof, and form no part of the claimed design. The other dashed broken lines in the Figures show portions of the graphical user interface that form no part of the claimed design. The dot-dash broken lines in the Figures show a boundary that forms no part of the claimed design. The dot-dot-dash lines in FIGS. 2A and 2B show the location at which FIG. 1 has been divided for ease of illustration and form no part of the claimed design.

1 Claim, 3 Drawing Sheets



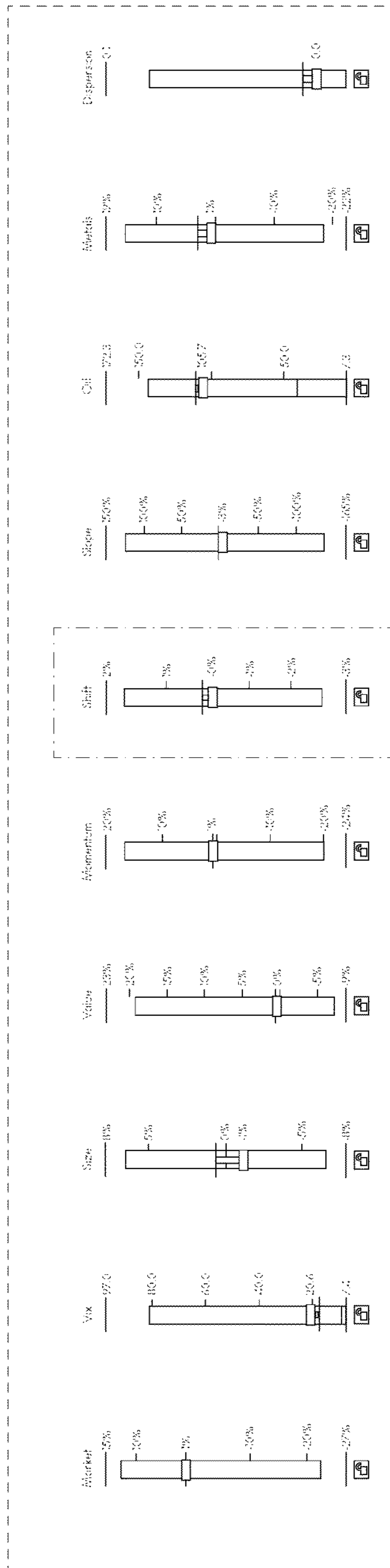


FIG. 1

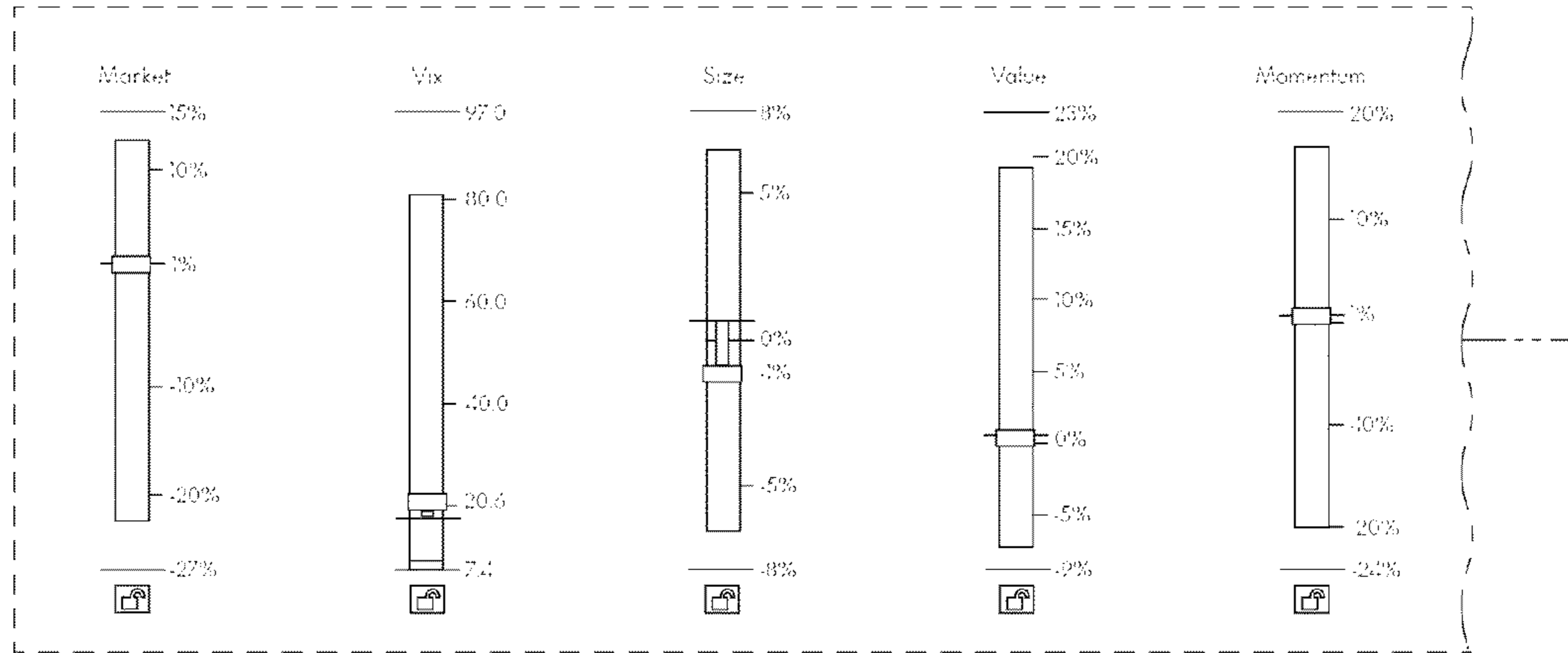


FIG. 2A

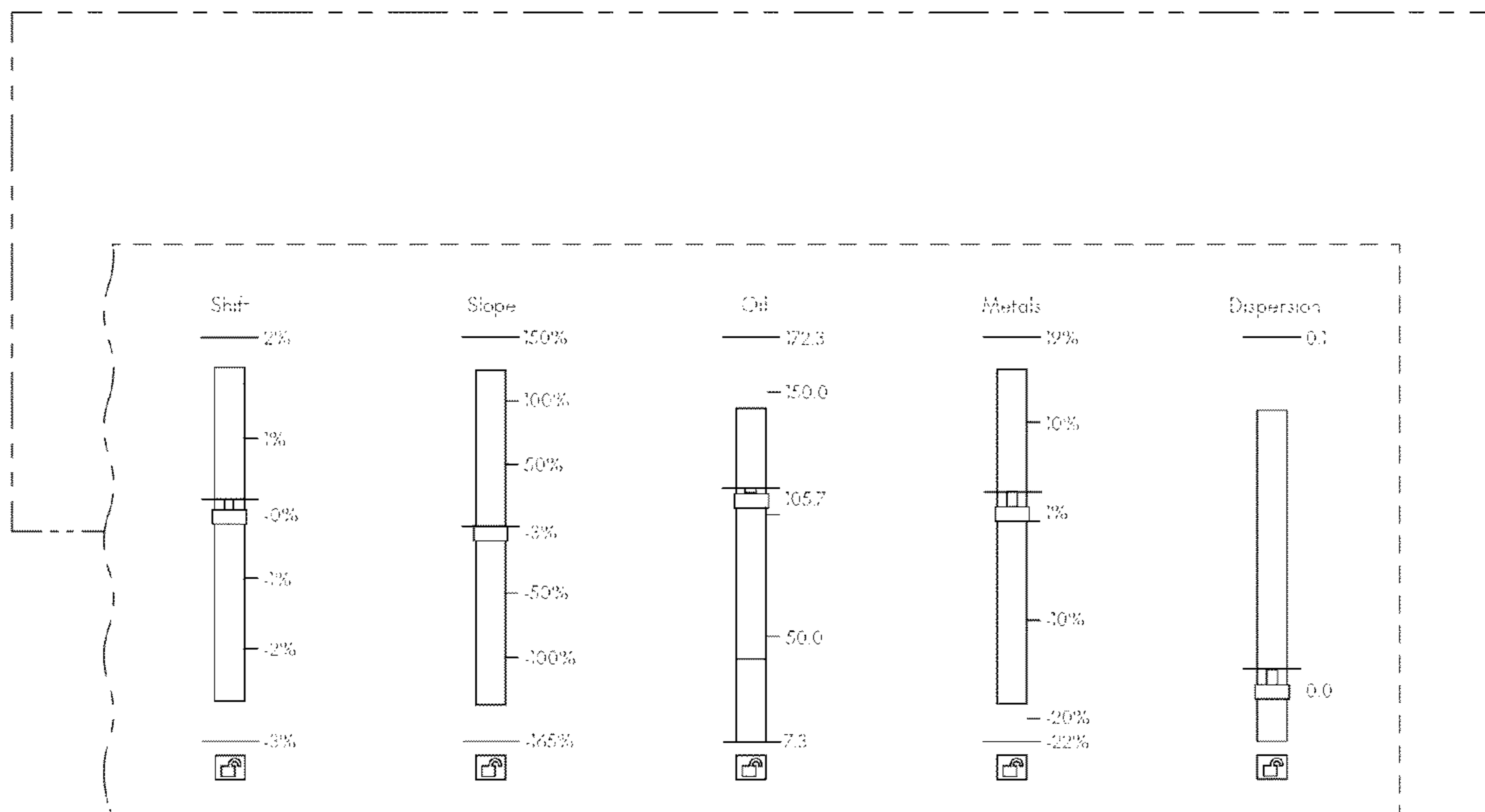


FIG. 2B

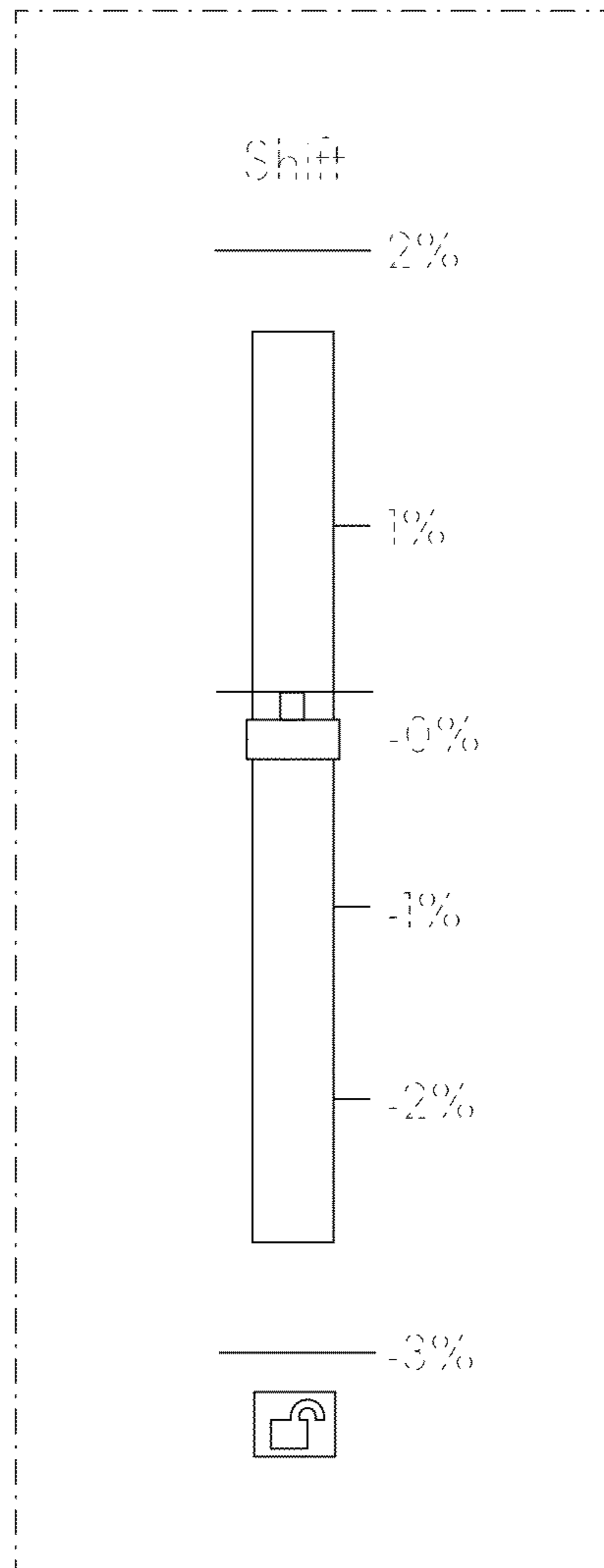


FIG. 3