



US00D752054S

(12) **United States Design Patent**
Baumann et al.

(10) **Patent No.:** **US D752,054 S**
(45) **Date of Patent:** **** Mar. 22, 2016**

(54) **STAND FOR PERSONAL ELECTRONIC DEVICES**

4,896,855 A 1/1990 Furnish
D306,707 S 3/1990 De Frahan
4,923,154 A 5/1990 Konkel

(Continued)

(71) Applicant: **Clingo.com LLC**, Ferndale, WA (US)

(72) Inventors: **Scott Baumann**, Anacortes, WA (US);
Brian Wheeler, Bellingham, WA (US)

(73) Assignee: **Clingo.com LLC**, Ferndale, WA (US)

(**) Term: **14 Years**

(21) Appl. No.: **29/519,043**

(22) Filed: **Mar. 2, 2015**

(51) **LOC (10) Cl.** **08-07**

(52) **U.S. Cl.**
USPC **D14/447**

(58) **Field of Classification Search**
USPC D3/218; D6/406.3, 406.4, 406.5, 406.6
CPC A45C 2011/003; A45C 2011/002;
A45C 13/002; A47B 2023/049; A47B
2097/005; A47B 2097/006; A47B 21/04;
A47B 23/00; A47B 23/043; A47B 2021/0307;
A47B 2023/005; F16M 2200/00; H04B
1/3888; H04M 1/04; H04M 1/185
See application file for complete search history.

(56) **References Cited**

U.S. PATENT DOCUMENTS

D66,742 S 3/1925 Nelson
D121,715 S 7/1940 Conlon
D151,806 S 11/1948 Beitch
D184,411 S 2/1959 Schoen
D227,786 S 7/1973 Taylor
4,067,532 A 1/1978 Viteretto
D251,426 S 3/1979 Molyneux
4,167,062 A 9/1979 Page, Jr. et al.
D260,861 S 9/1981 Han

FOREIGN PATENT DOCUMENTS

WO 9605081 A1 2/1996

Primary Examiner — Angela J Lee

(74) *Attorney, Agent, or Firm* — Michael R. Schacht;
Schacht Law Office, Inc.

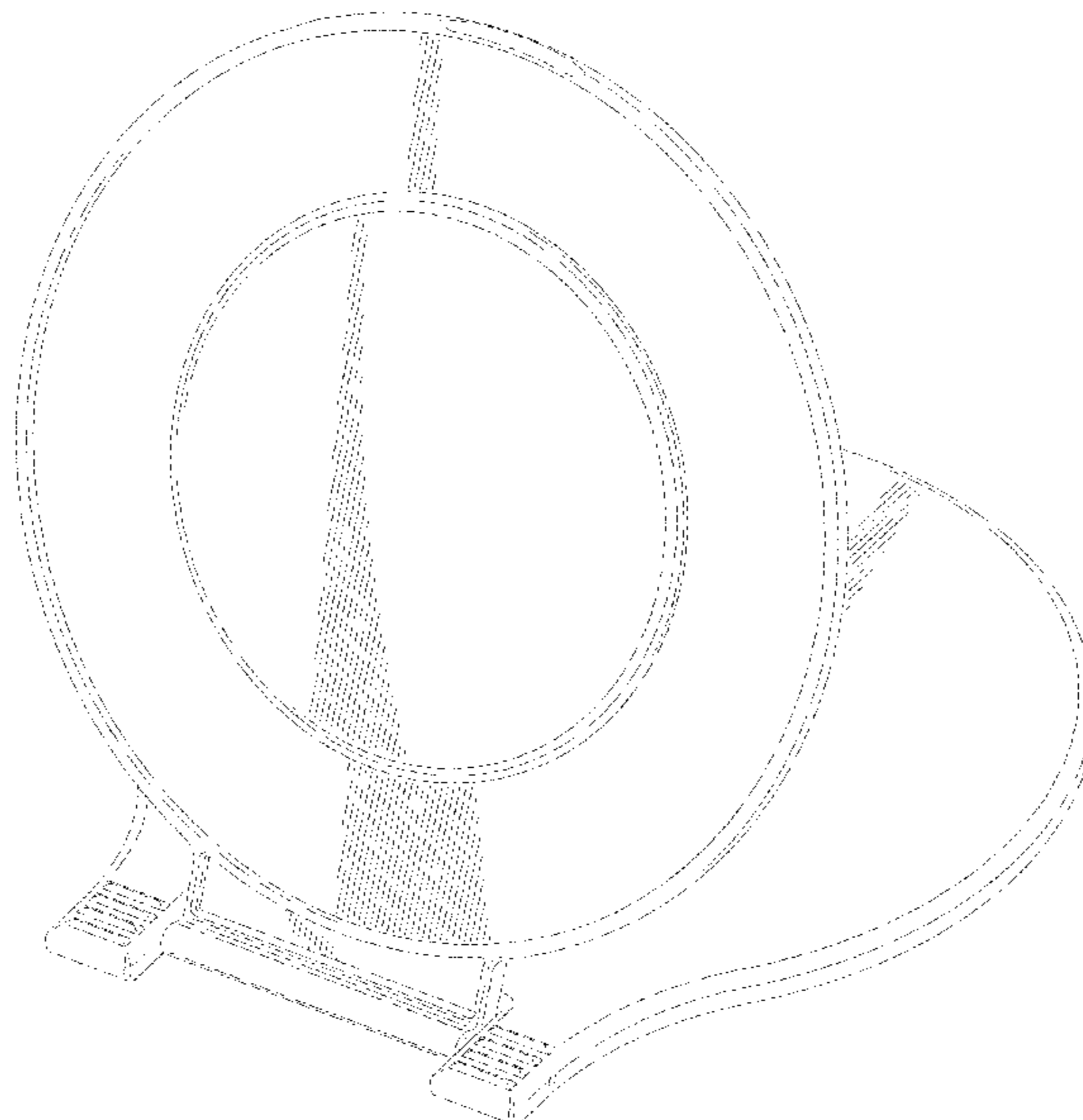
(57) **CLAIM**

The ornamental design for a stand for personal electronic devices, as shown and described.

DESCRIPTION

FIG. 1 is a top perspective view of a stand for personal electronic devices showing our new design in a closed configuration;
FIG. 2 is a bottom perspective view in the closed position;
FIG. 3 is a front view in the closed position;
FIG. 4 is a right side view in the closed position;
FIG. 5 is a left side view in the closed position;
FIG. 6 is a back view in the closed position;
FIG. 7 is a top view in the closed position;
FIG. 8 is a bottom view in the closed position;
FIG. 9 is a top perspective view of a stand for personal electronic devices showing our new design in an open configuration;
FIG. 10 is a bottom perspective view in the open position;
FIG. 11 is a front view in the open position;
FIG. 12 is a right side view in the open position;
FIG. 13 is a left side view in the open position;
FIG. 14 is a back view in the open position;
FIG. 15 is a top view in the open position; and,
FIG. 16 is a bottom view in the open position.

1 Claim, 12 Drawing Sheets



(56)

References Cited

U.S. PATENT DOCUMENTS

4,971,276 A	11/1990	Tannenbaum	7,090,181 B2	8/2006	Biba et al.
D317,157 S	5/1991	Jondelius	D529,489 S	10/2006	Sbordon, Jr.
5,176,357 A	1/1993	Hobart	7,125,602 B2	10/2006	Wheatley
5,187,744 A	2/1993	Richter	D535,969 S	1/2007	Haney
5,199,284 A	4/1993	Lin	D536,665 S	2/2007	Solland
5,269,484 A	12/1993	Jones	7,178,771 B2	2/2007	Richter
5,305,381 A	4/1994	Wang et al.	7,219,867 B2	5/2007	Kalis et al.
D360,210 S	7/1995	Rudkiewicz et al.	D543,888 S	6/2007	Bulgari
D361,334 S	8/1995	Chan	7,241,069 B2	7/2007	Richter
D361,768 S	8/1995	Chen	7,251,324 B2	7/2007	Richter
D363,492 S	10/1995	Brussing	D549,709 S	8/2007	Richter
D363,723 S	10/1995	Hellier et al.	7,252,867 B2	8/2007	Wheatley
5,540,067 A	7/1996	Kim	D553,123 S	10/2007	Solland
D379,754 S	6/1997	Solow	D553,622 S	10/2007	Petrotta
D380,086 S	6/1997	Brassard	D554,108 S	10/2007	Solland
D380,979 S	7/1997	Perlmutter	7,276,272 B2	10/2007	Mizuno et al.
D385,175 S	10/1997	Somerfield	7,293,750 B2	11/2007	Richter
D387,765 S	12/1997	Brassard	7,296,771 B2	11/2007	Kalis et al.
5,697,071 A	12/1997	Fan	7,298,611 B1	11/2007	Carnevali
D391,919 S	3/1998	Brassard	D557,259 S	12/2007	Hirsch
5,740,995 A	4/1998	Richter	D558,651 S	1/2008	Ikeda et al.
5,788,202 A	8/1998	Richter	D559,083 S	1/2008	Brassard
5,794,905 A	8/1998	Richter	D560,592 S	1/2008	Brassard
D400,847 S	11/1998	Brassard	7,344,114 B2	3/2008	Richter
5,845,885 A	12/1998	Carnevali	D566,781 S	4/2008	Ikeda et al.
5,897,417 A	4/1999	Grey	7,357,361 B2	4/2008	Yen
D409,563 S	5/1999	Haase et al.	D568,409 S	5/2008	Ikeda et al.
5,903,133 A	5/1999	Amero et al.	D570,836 S	6/2008	Chen
D411,209 S	6/1999	Richter	D571,188 S	6/2008	Brassard
D411,821 S	7/1999	Markegard et al.	D578,960 S	10/2008	Fisher et al.
D413,110 S	8/1999	Sweere et al.	D579,854 S	11/2008	Mo
5,974,830 A	11/1999	Colero	D580,847 S	11/2008	Mo
5,988,572 A	11/1999	Chivallier et al.	7,455,271 B2	11/2008	Pincek et al.
5,996,950 A	12/1999	Richter	D586,665 S	2/2009	Murgida et al.
6,032,910 A	3/2000	Richter	D587,188 S	2/2009	Mo
6,073,901 A	6/2000	Richter	D590,839 S	4/2009	Lewis
6,076,790 A	6/2000	Richter	7,515,709 B2	4/2009	Richter
D430,142 S	8/2000	Kuo et al.	D592,205 S	5/2009	O'Brien
6,109,076 A	8/2000	Kajuch	D592,206 S	5/2009	O'Brien
6,135,408 A	10/2000	Richter	D593,882 S	6/2009	Scalisi
6,148,738 A	11/2000	Richter	D593,988 S	6/2009	Liu et al.
6,293,509 B1	9/2001	Richter	D597,055 S	7/2009	Ladouceur et al.
D456,351 S	4/2002	Yoneda	D599,736 S	9/2009	Ferber et al.
6,422,050 B1	7/2002	Ho	D600,913 S	9/2009	Kalbach
D463,361 S	9/2002	Ruohonen	D602,096 S	10/2009	Ashida et al.
D467,238 S	12/2002	Hlas et al.	D603,840 S	11/2009	Lee et al.
D468,305 S	1/2003	Ma et al.	D606,044 S	12/2009	Lee
6,548,728 B1	4/2003	Faries, Jr. et al.	D606,545 S	12/2009	Salmon
6,561,476 B2	5/2003	Carnevali	7,628,362 B2	12/2009	Song
6,673,409 B1	1/2004	Wheatley	D614,613 S	4/2010	Kim et al.
D491,952 S	6/2004	Odds et al.	D615,063 S	5/2010	Jeong et al.
6,749,160 B1	6/2004	Richter	D615,447 S	5/2010	Raum
D494,167 S *	8/2004	Hirakawa D14/341	D616,642 S	6/2010	Kim et al.
D495,336 S	8/2004	Andre et al.	D618,130 S	6/2010	Polonye
D499,092 S	11/2004	Fan	D619,919 S	7/2010	Harding
D499,093 S	11/2004	Chen	D621,399 S	8/2010	Ahlstrom
6,840,485 B2	1/2005	Richter	D623,642 S	9/2010	Wang
6,913,232 B2	7/2005	Richter	D626,129 S	10/2010	Lutz
6,915,996 B2	7/2005	Lin	D627,771 S	11/2010	Smith et al.
D508,458 S	8/2005	Solland et al.	D628,148 S	11/2010	English et al.
D508,916 S	8/2005	Lee	D628,203 S	11/2010	Noble
D509,183 S	9/2005	Solland et al.	7,923,088 B2	4/2011	Wheatley
D510,358 S *	10/2005	Ezure D14/447	D637,655 S	5/2011	Baumann et al.
6,966,533 B1	11/2005	Kalis et al.	D639,816 S *	6/2011	Bau D14/447
D514,091 S	1/2006	Sube	D661,310 S *	6/2012	Belongia D14/447
7,011,279 B2	3/2006	Richter	D666,204 S *	8/2012	Han D14/447
7,021,593 B1	4/2006	Fan	D667,004 S *	9/2012	Goodrich D14/253
7,028,391 B2	4/2006	Pham-Van-Diep et al.	D670,704 S *	11/2012	Barker D14/447
D521,927 S	5/2006	Franck et al.	D692,010 S *	10/2013	Verghese D14/447
D522,999 S	6/2006	Smith-Adams et al.	D711,888 S *	8/2014	Huebner D14/447
D524,243 S	7/2006	Lee	D725,660 S *	3/2015	Trotsky D14/447
D524,282 S	7/2006	Beasley et al.	D735,210 S *	7/2015	Kim D14/447
D525,583 S	7/2006	Vu	2002/0117593 A1	8/2002	Richter
D525,616 S	7/2006	Andre et al.	2003/0180088 A1	9/2003	Carnevali
D526,996 S	8/2006	Sbordon, Jr.	2003/0205651 A1	11/2003	Richter
			2004/0011932 A1	1/2004	Duff
			2004/0155164 A1	8/2004	Richter
			2004/0231809 A1	11/2004	Wheatley
			2004/0256529 A1	12/2004	Richter

(56)

References Cited

U.S. PATENT DOCUMENTS

2004/0262474	A1	12/2004	Boks et al.	2008/0070641	A1	3/2008	Wang
2005/0199668	A1	9/2005	Wheatley	2008/0110946	A1	5/2008	Dixon et al.
2006/0004420	A1	1/2006	Rossing et al.	2008/0197250	A1	8/2008	Kaneda et al.
2006/0121250	A1	6/2006	Wheatley	2008/0203263	A1	8/2008	Carnevali
2006/0152345	A1	7/2006	Aitkenhead	2008/0272010	A1	11/2008	Friedman
2007/0117419	A1	5/2007	Kalis et al.	2009/0004420	A1	1/2009	Wheatley
2007/0262216	A1	11/2007	Wang	2009/0072110	A1	3/2009	Yu
2008/0003860	A1	1/2008	Carnevali	2009/0154078	A1	6/2009	Richter
2008/0017766	A1	1/2008	Richter	2009/0250570	A1	10/2009	Corn et al.
2008/0061210	A1	3/2008	Carnevali	2010/0001151	A1	1/2010	Wheatley et al.
				2010/0073862	A1	3/2010	Carnevali
				2010/0320341	A1	12/2010	Baumann et al.
				2011/0090626	A1	4/2011	Hoellwarth et al.

* cited by examiner

FIG. 1

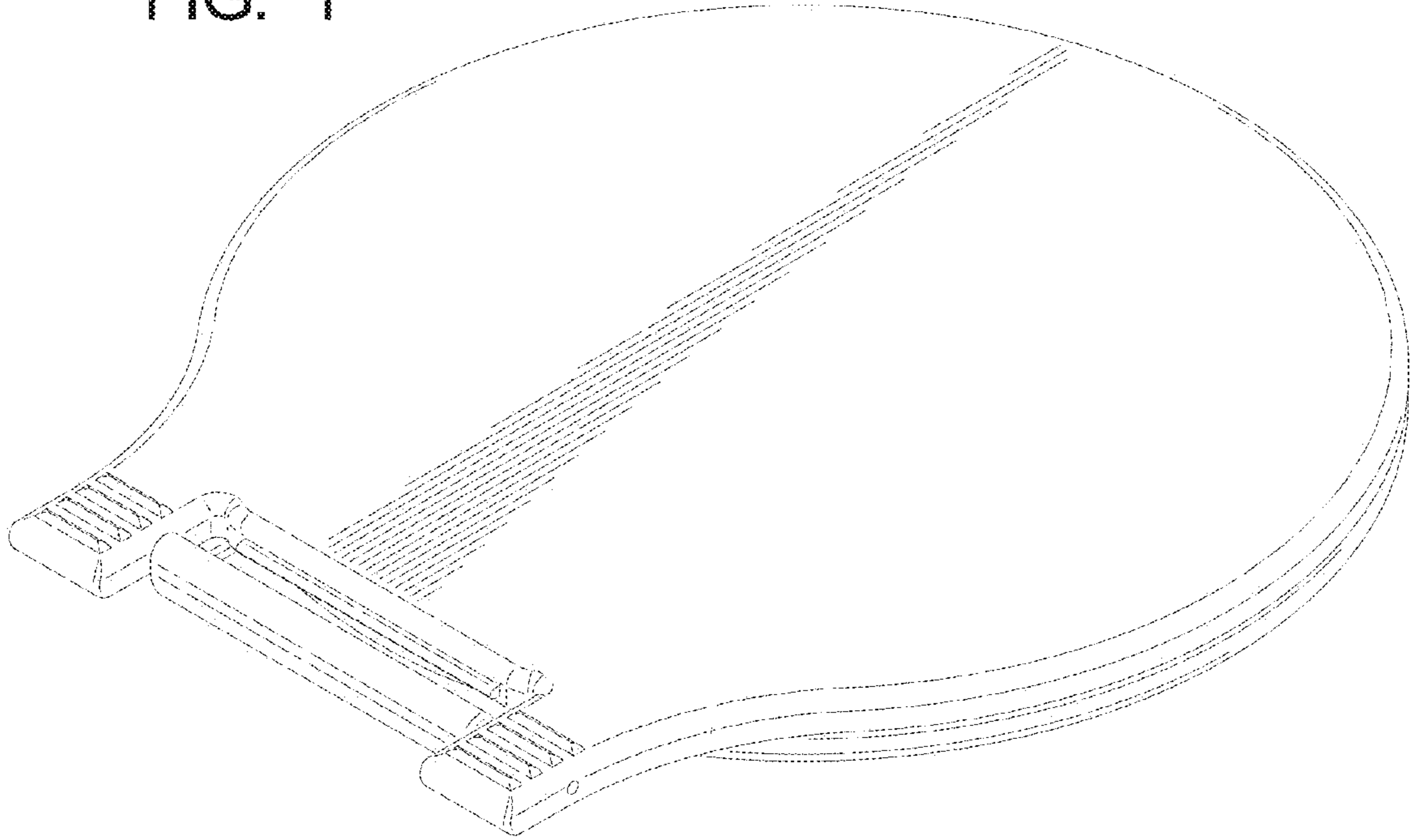


FIG. 2

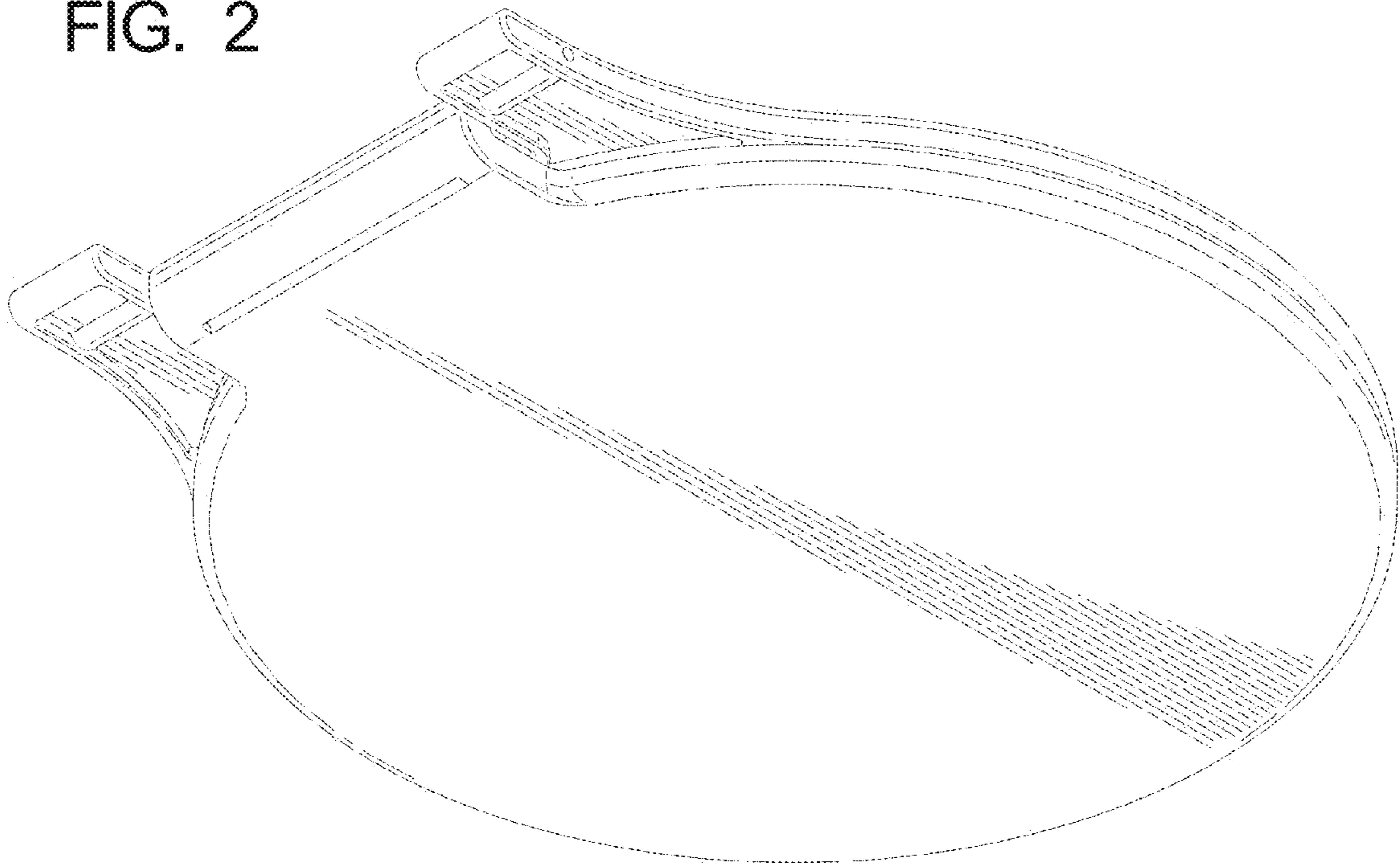


FIG. 3

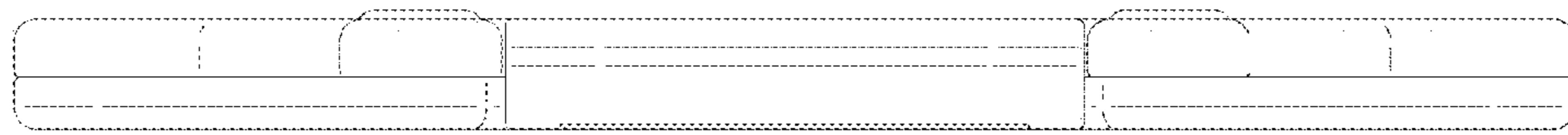


FIG. 4

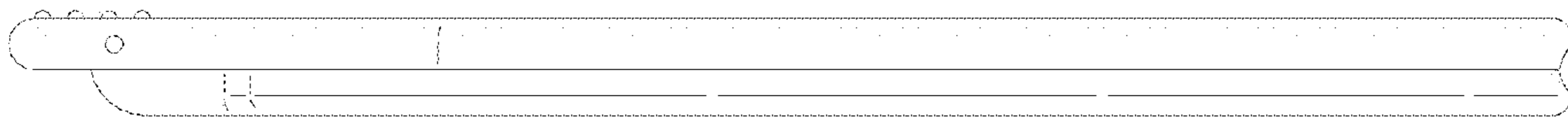


FIG. 5

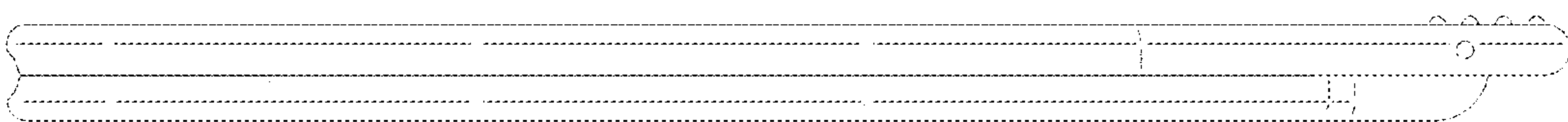


FIG. 6

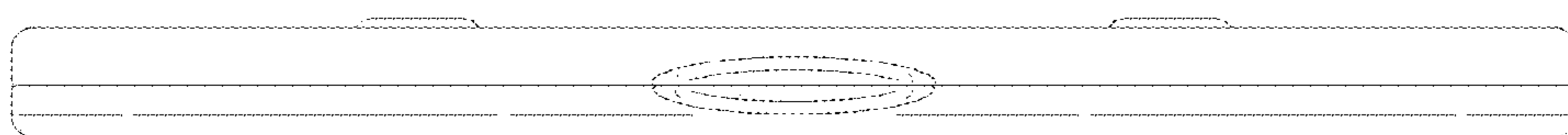


FIG. 7

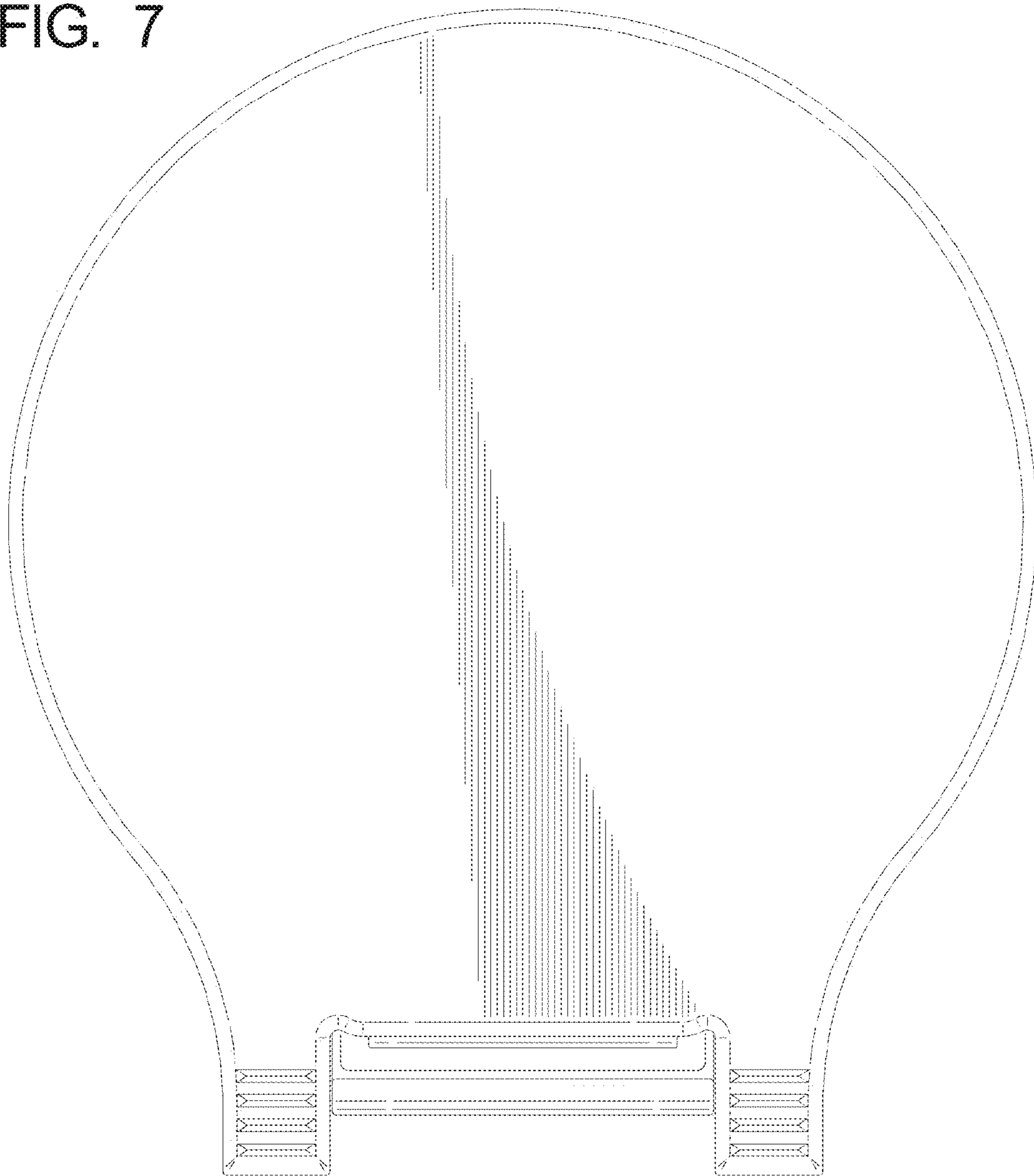


FIG. 8

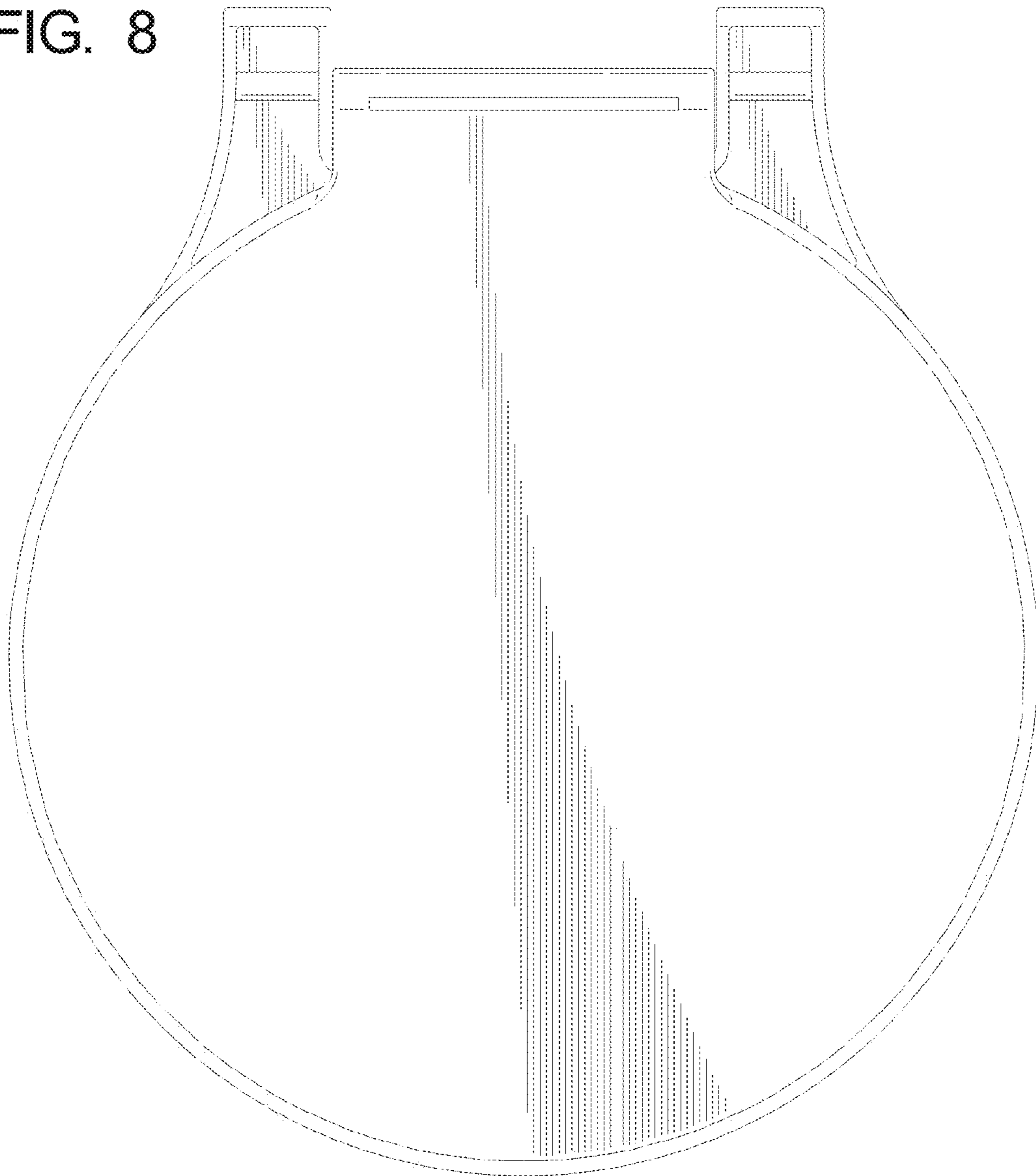


FIG. 9

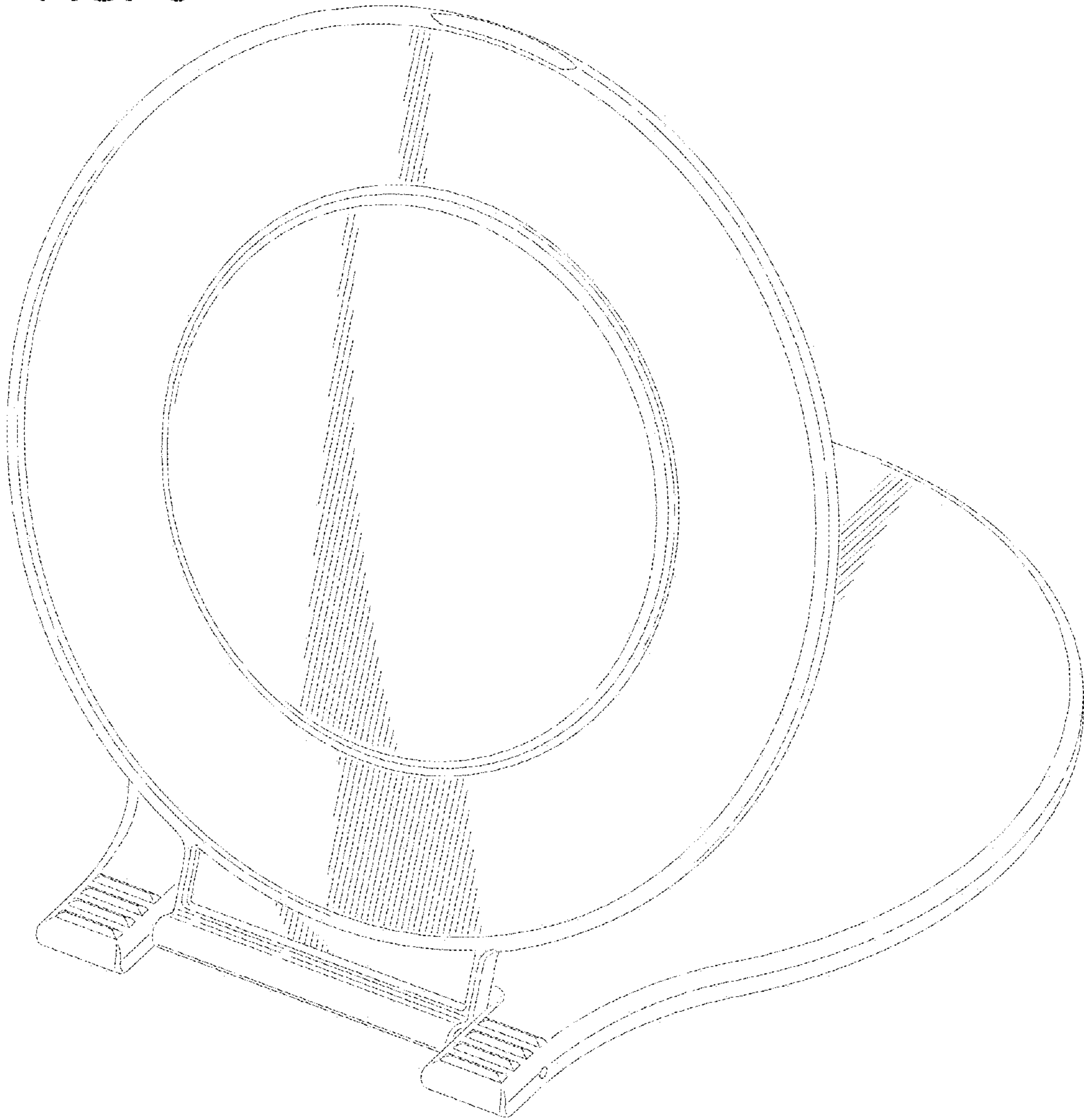


FIG. 10

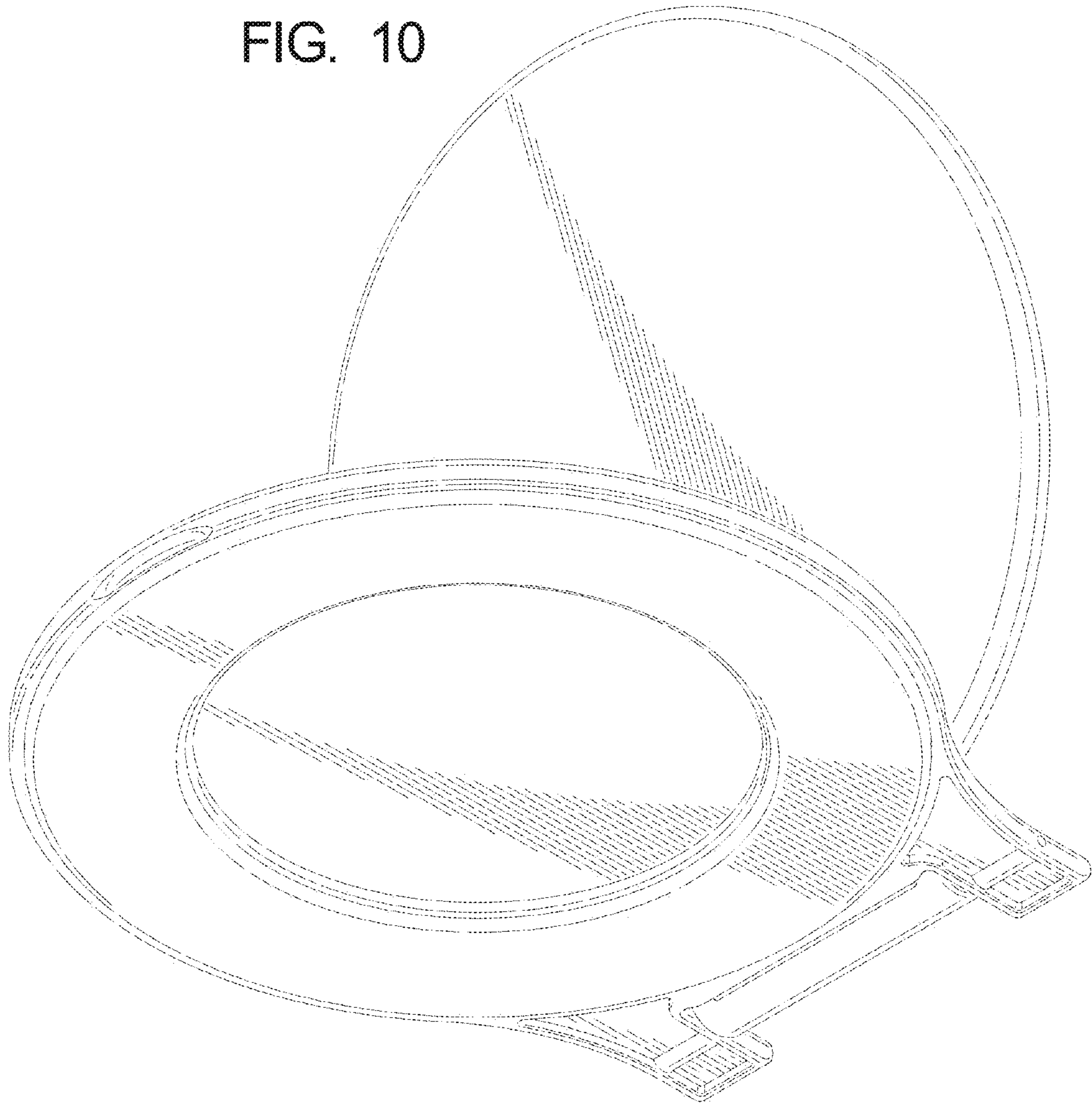


FIG. 11

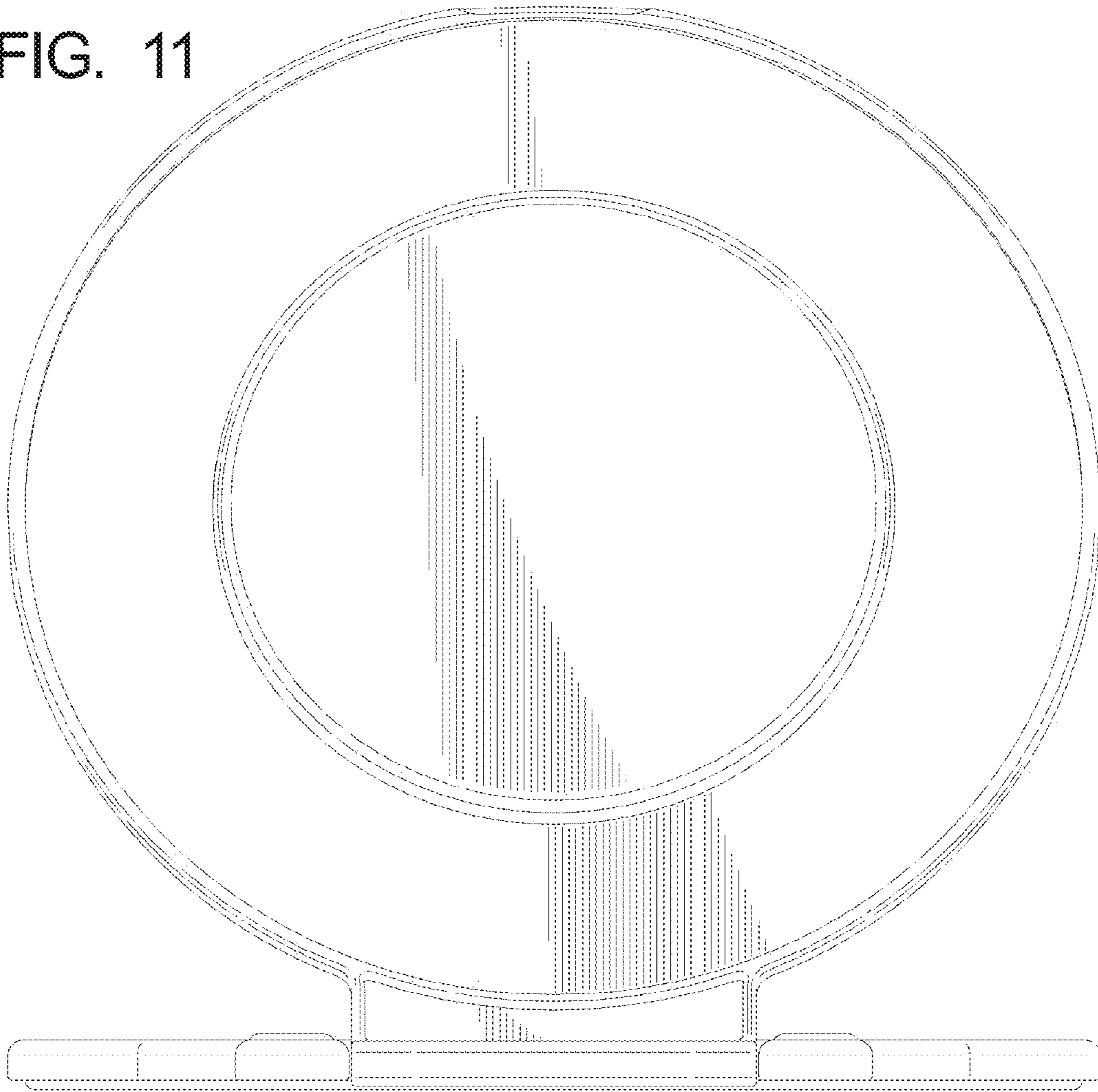


FIG. 12

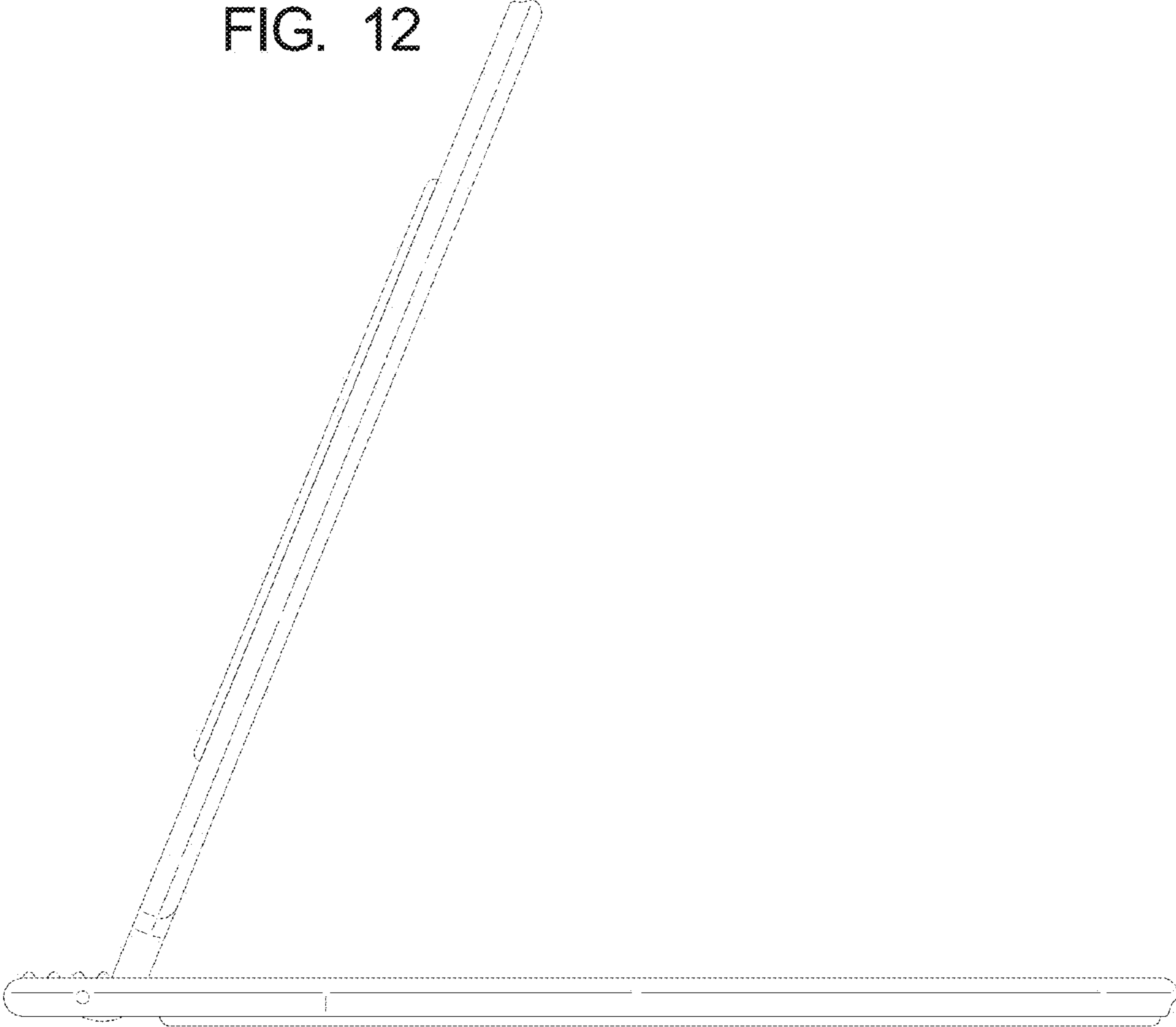


FIG. 13

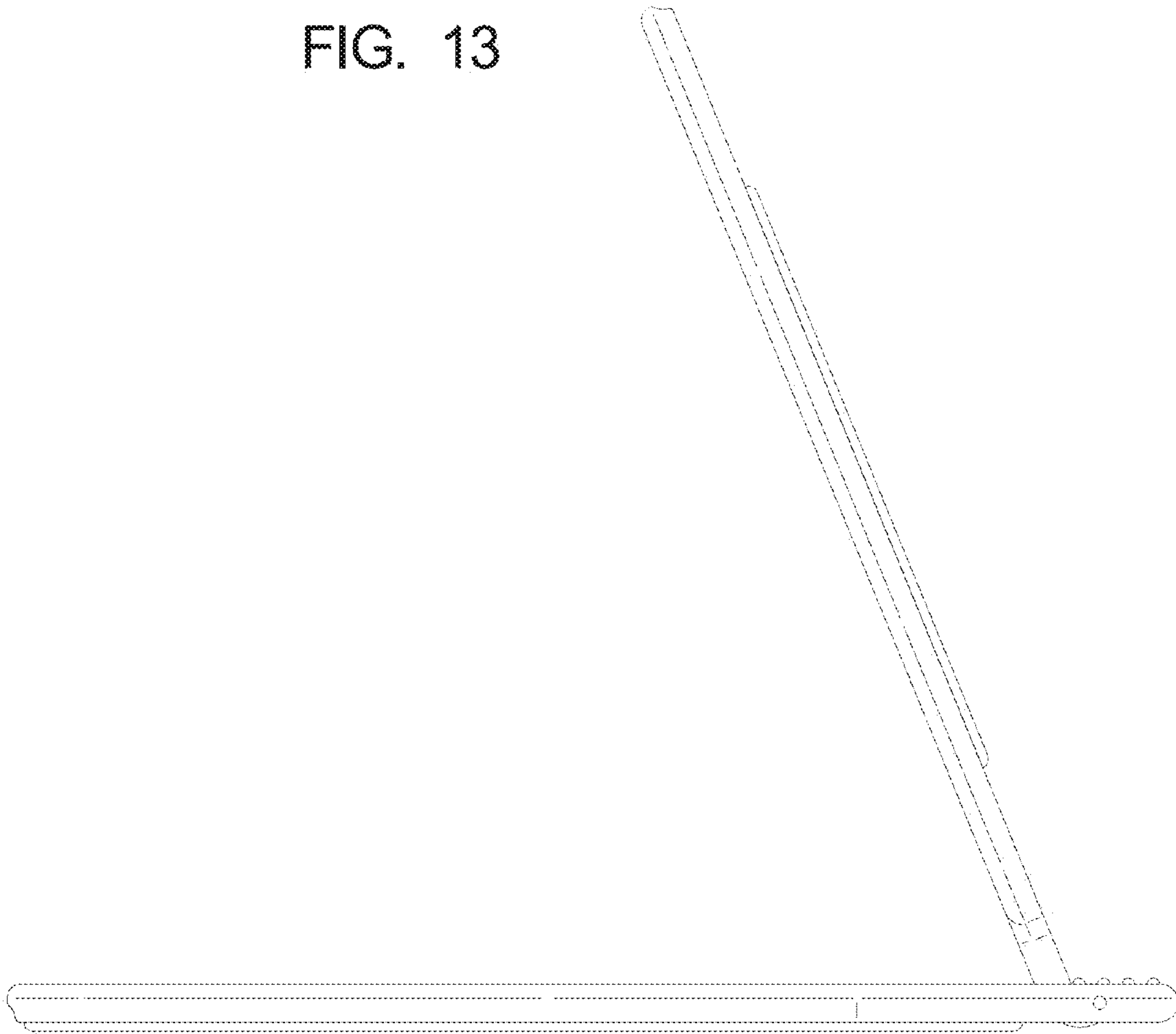


FIG. 14

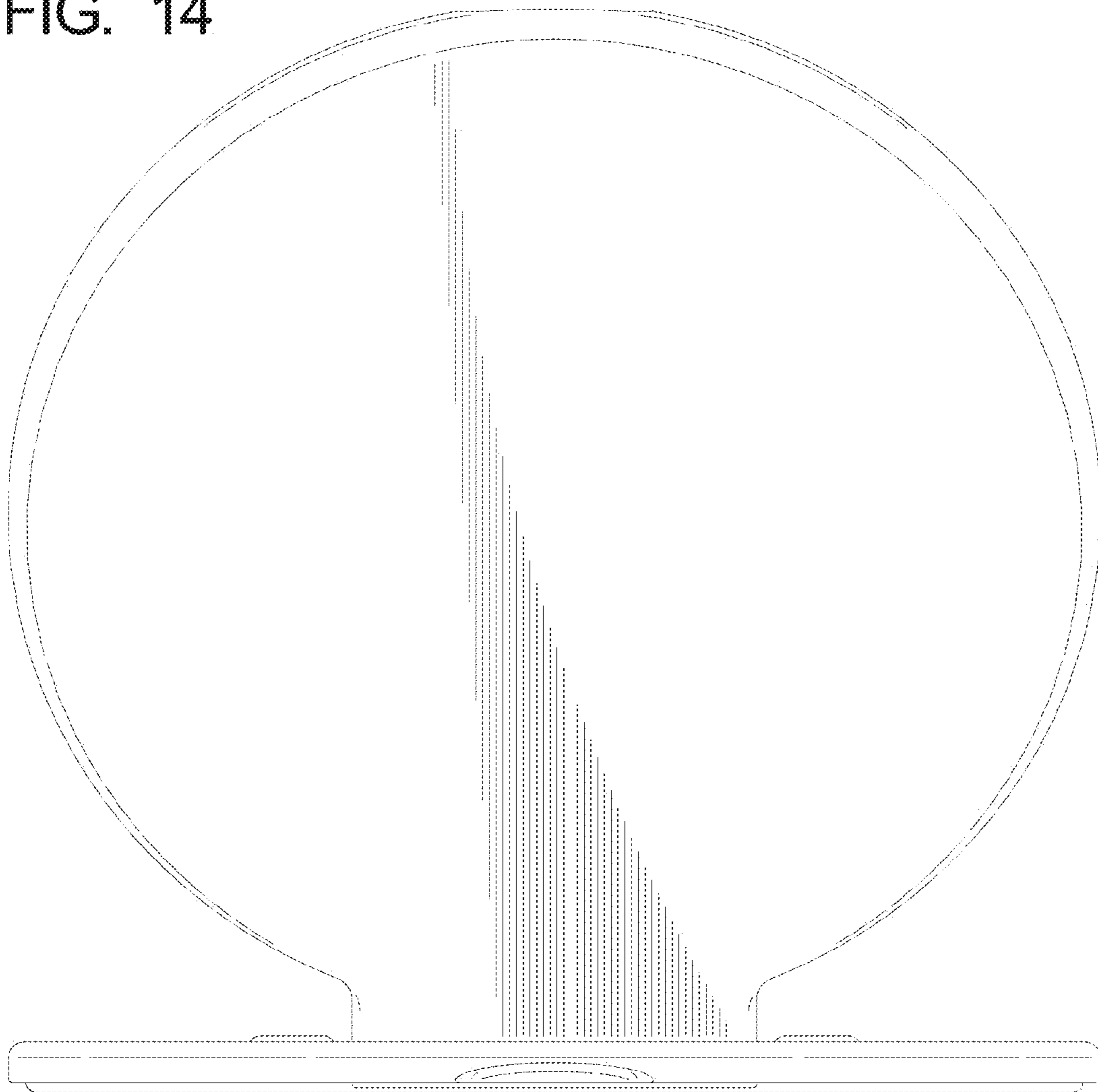


FIG. 15

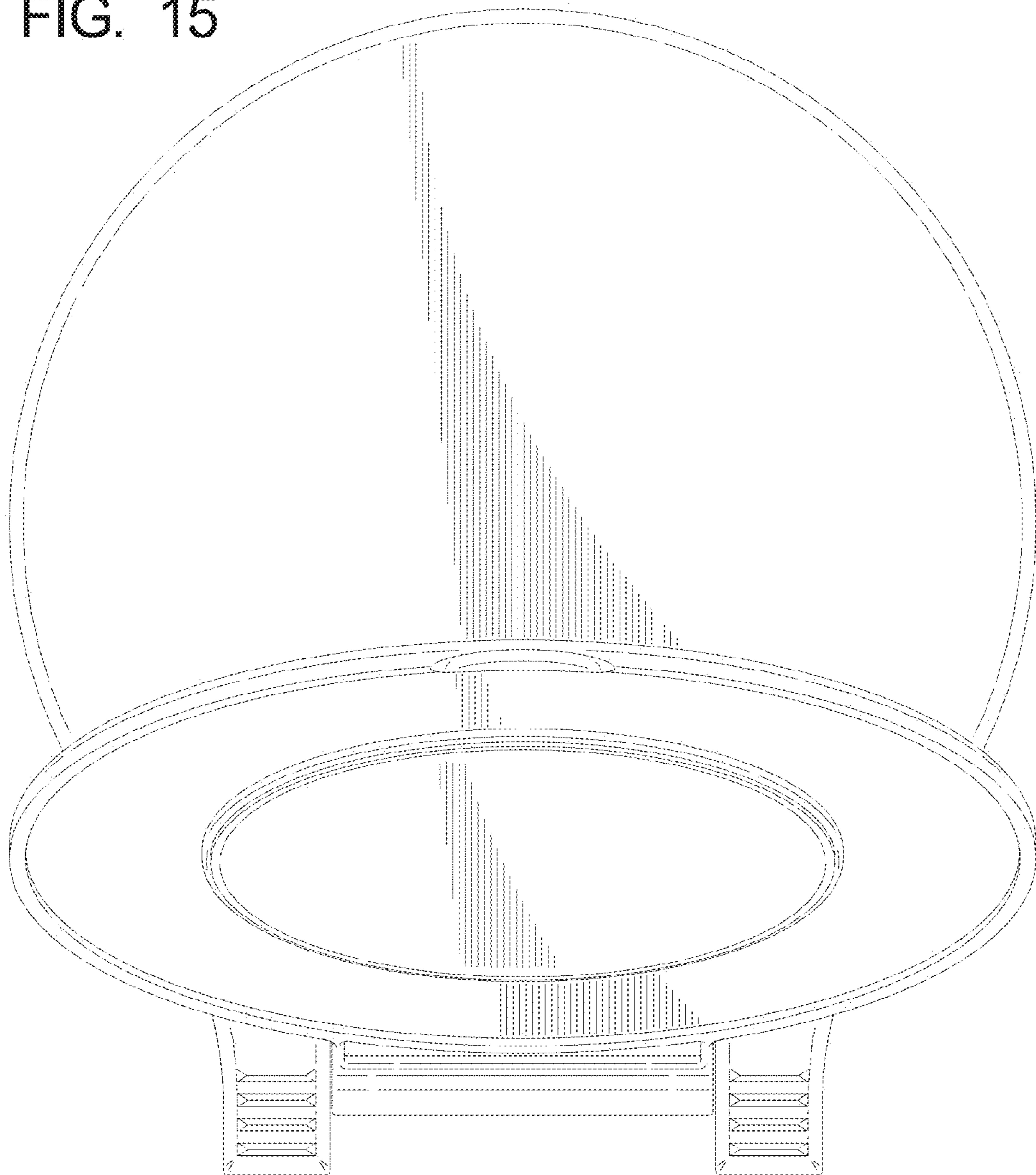


FIG. 16

