



US00D752052S

(12) **United States Design Patent**
Park

(10) **Patent No.:** **US D752,052 S**
(45) **Date of Patent:** **** Mar. 22, 2016**

- (54) **PORTABLE TERMINAL CASE**
- (71) Applicant: **SIGONG GYOYUK**, Seoul (KR)
- (72) Inventor: **Ki Seok Park**, Seoul (KR)
- (73) Assignee: **Sigong Gyoyuk**, Seoul (KR)
- (**) Term: **14 Years**
- (21) Appl. No.: **29/516,467**
- (22) Filed: **Feb. 3, 2015**
- (51) **LOC (10) Cl.** **14-02**
- (52) **U.S. Cl.**
USPC **D14/440**
- (58) **Field of Classification Search**
USPC D14/440, 439, 432, 203.4, 203.8, 341;
D3/218, 215, 201, 294, 289, 900
CPC ... G06F 1/1601; G06F 1/1626; G06F 1/1633;
G06F 1/1675; G06F 1/167; G02F 1/1306;
G02F 1/133308; G02F 1/153; G02F
2001/133317; H04M 1/185; H04M 1/0252;
H04M 1/3888
See application file for complete search history.

- (56) **References Cited**
U.S. PATENT DOCUMENTS
D679,277 S * 4/2013 Probst D14/440
D680,546 S * 4/2013 Tang D14/440

- D690,704 S * 10/2013 Padilla D14/440
- D691,144 S * 10/2013 Peters D14/440
- D691,146 S * 10/2013 Perez D14/440
- D694,246 S * 11/2013 Park D14/440
- D703,672 S * 4/2014 Kim D14/440
- D708,836 S * 7/2014 Lee D14/440
- D708,837 S * 7/2014 Lee D14/440
- D727,917 S * 4/2015 Yeo D14/440

* cited by examiner

Primary Examiner — Cynthia Underwood
(74) *Attorney, Agent, or Firm* — Revolution IP, PLLC

(57) **CLAIM**
The ornamental design for a “portable terminal case,” as shown and described.

DESCRIPTION

FIG. 1 is a perspective view of portable terminal case showing my new design;
FIG. 2 is a front view thereof;
FIG. 3 is a rear view thereof;
FIG. 4 is a left side view thereof;
FIG. 5 is a right side view thereof;
FIG. 6 is a top view thereof;
FIG. 7 is a bottom view thereof;
FIG. 8 is another right side view; and,
FIG. 9 is a right view show in an open position.
The broken lines in the upper half represent a portable terminal. The broken lines form no part of the claim.

1 Claim, 7 Drawing Sheets

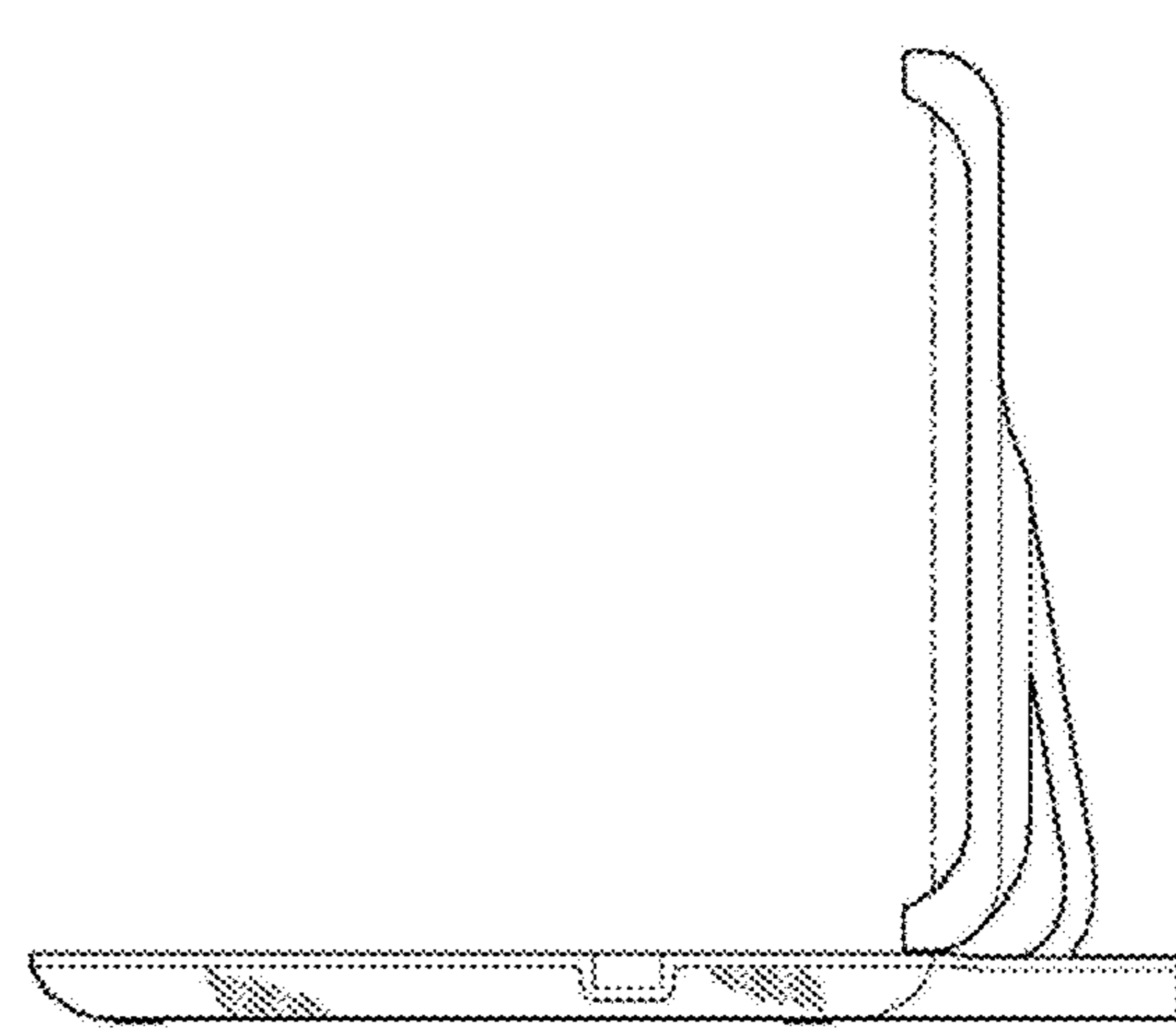
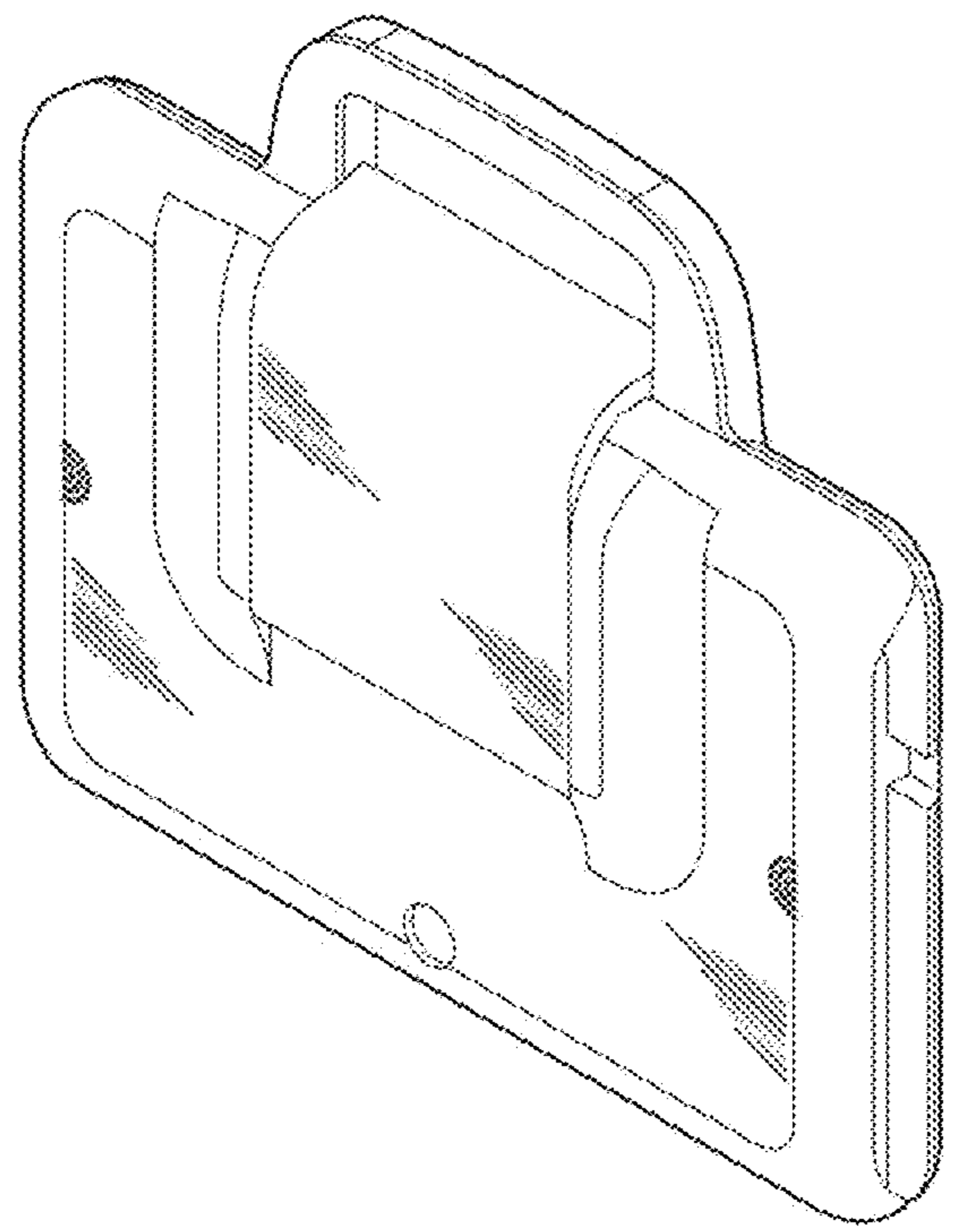


FIG. 1

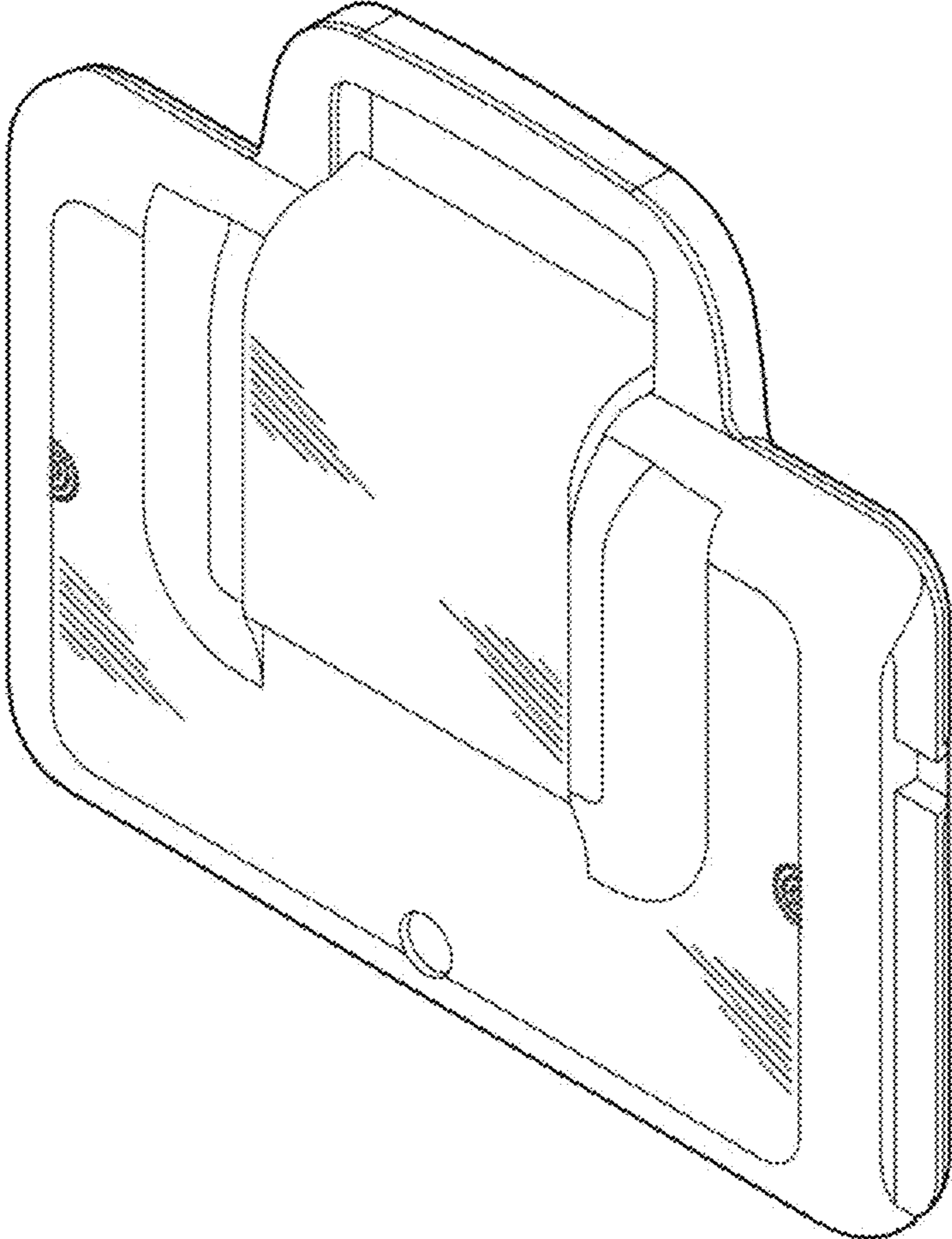


FIG. 2

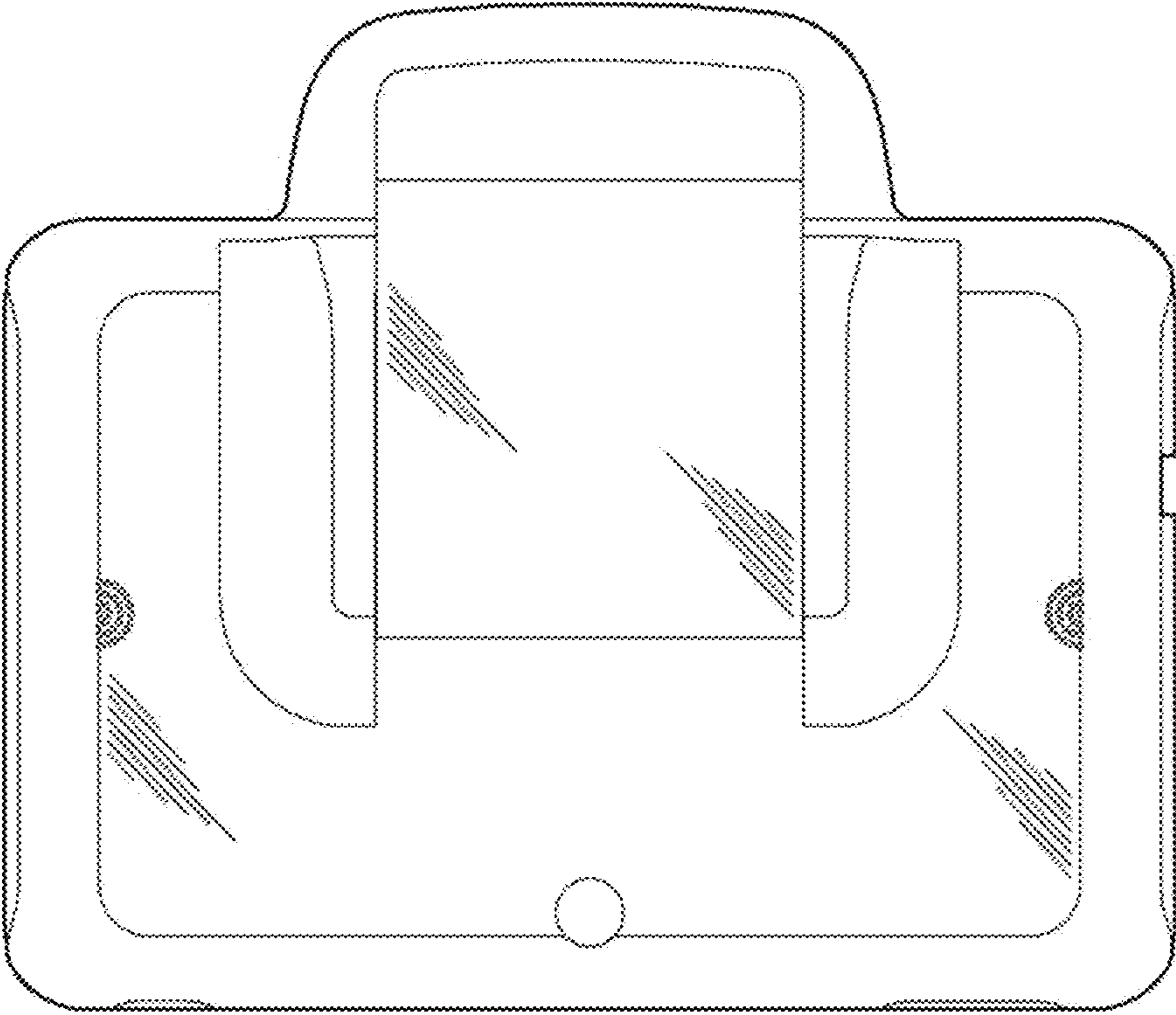


FIG. 3

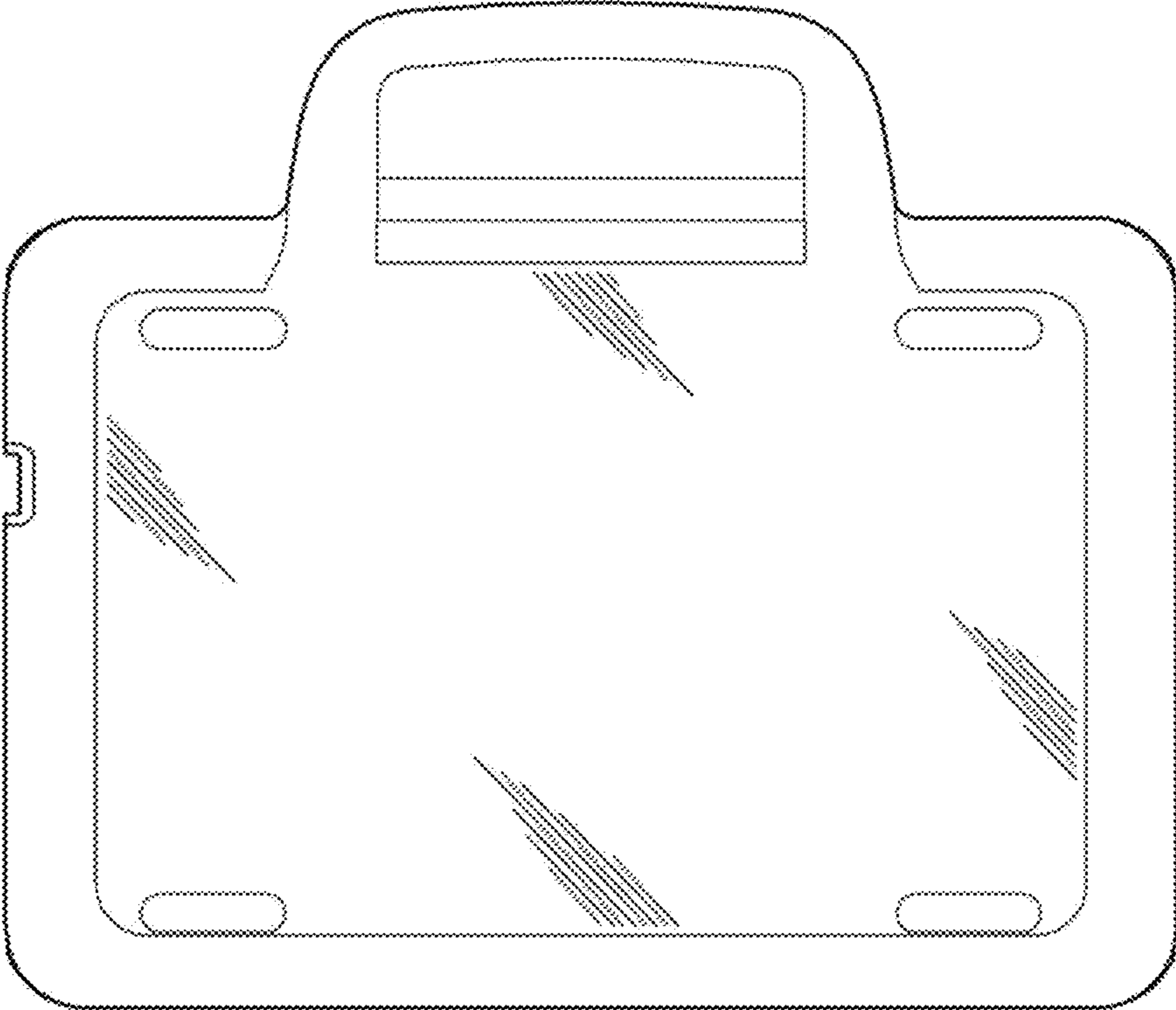


FIG. 4

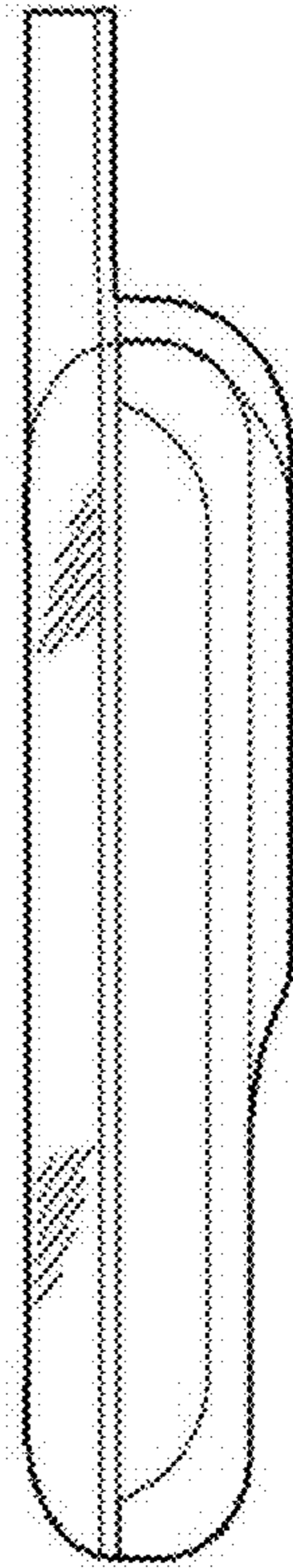


FIG. 5

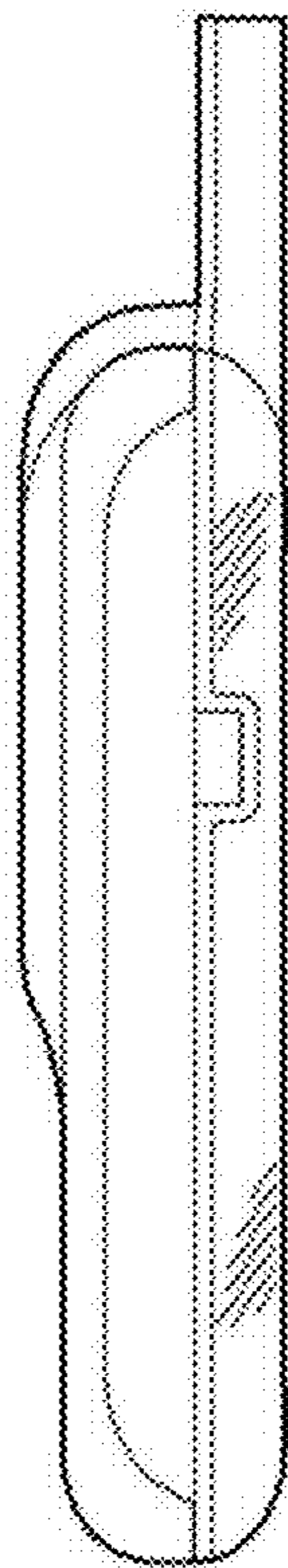


FIG. 6

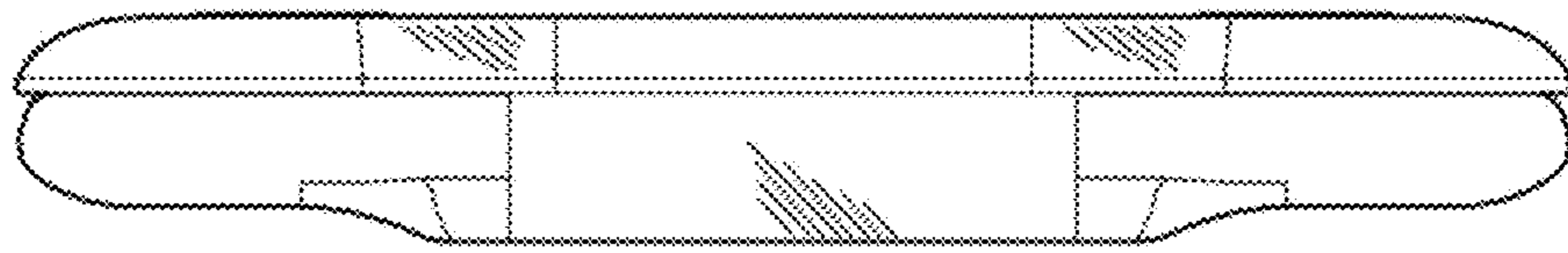


FIG. 7

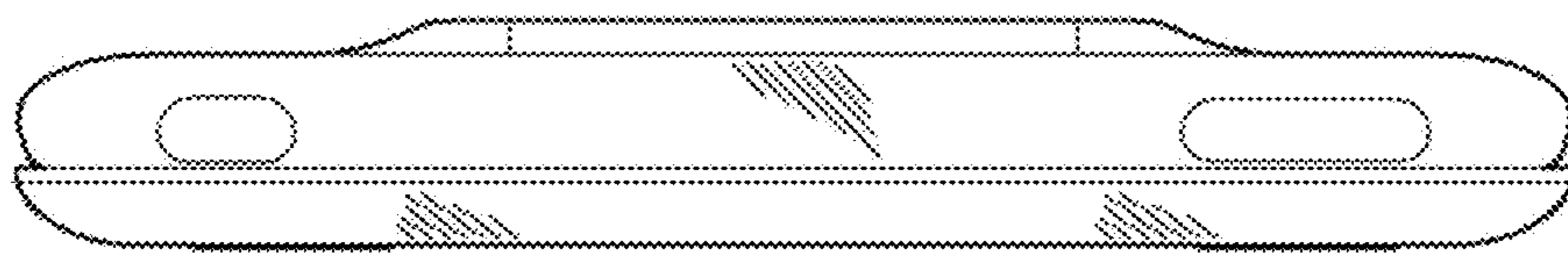


FIG. 8

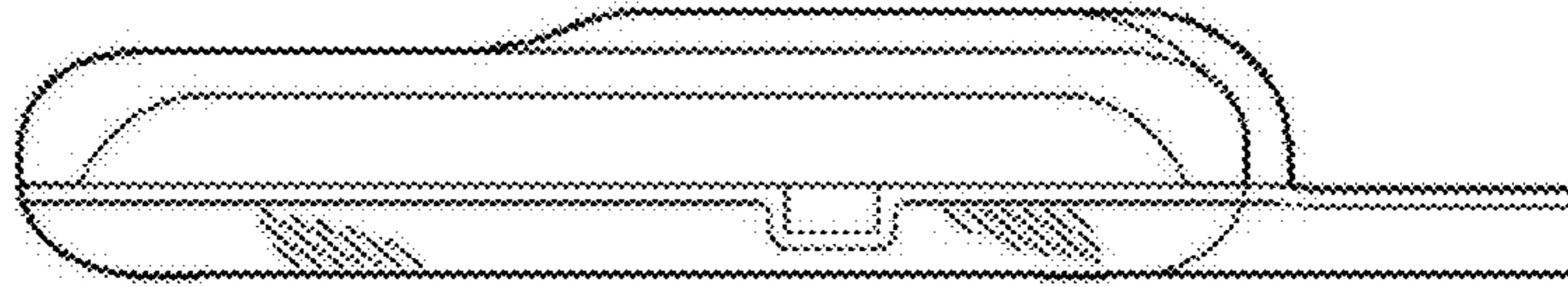


FIG. 9

