



US00D752051S

(12) **United States Design Patent**  
**Chen et al.**

(10) **Patent No.:** **US D752,051 S**

(45) **Date of Patent:** **\*\* Mar. 22, 2016**

(54) **DOCKING DEVICE FOR CARD READER**

(71) Applicant: **Square, Inc.**, San Francisco, CA (US)

(72) Inventors: **Yenliang Chen**, San Francisco, CA (US); **Troy Edwards**, Los Gatos, CA (US)

(73) Assignee: **Square, Inc.**, San Francisco, CA (US)

(\*\*) Term: **15 Years**

(21) Appl. No.: **29/533,736**

(22) Filed: **Jul. 21, 2015**

(51) **LOC (10) Cl.** ..... **14-02**

(52) **U.S. Cl.**  
USPC ..... **D14/434**

(58) **Field of Classification Search**  
USPC ..... D14/432-434, 314, 204, 420, 421, 447, D14/217, 358, 138 R, 140, 142, 253; D13/107, 108, 146; D8/373; 248/346.03, 176.1; 361/679.41, 361/679.31, 679.32, 679.4, 679.43, 679.55, 361/679.58, 679.33; 320/107, 109, 320/112-115; 710/15, 303; 455/557; 439/347, 534  
CPC ..... H02J 7/0042; H02J 7/00; H01R 31/065; H01M 10/44; F16M 11/10; G06F 1/1632  
See application file for complete search history.

(56) **References Cited**

**U.S. PATENT DOCUMENTS**

D275,482 S \* 9/1984 Coons ..... D13/108  
D413,097 S \* 8/1999 Chang ..... D13/107

D431,021 S \* 9/2000 Collins ..... D13/108  
D460,446 S \* 7/2002 Hughes ..... D14/253  
D605,588 S \* 12/2009 Nomi ..... D13/108  
D722,056 S \* 2/2015 Nguyen ..... D13/108

\* cited by examiner

*Primary Examiner* — Freda S Nunn

(74) *Attorney, Agent, or Firm* — Novak Druce Connolly Bove + Quigg LLP

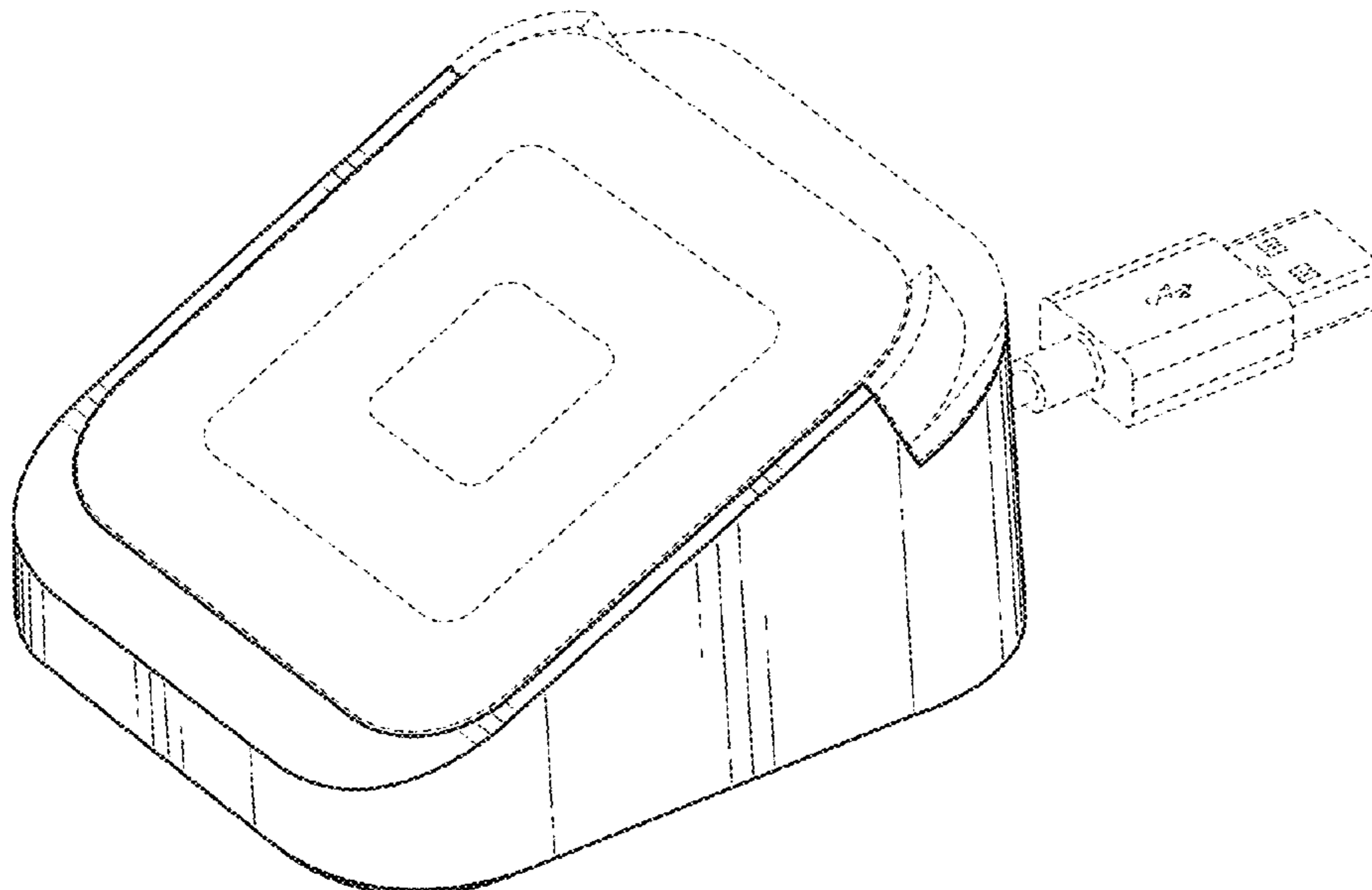
(57) **CLAIM**

We claim the ornamental design for a docking device for card reader, as shown and described.

**DESCRIPTION**

FIG. 1 is a perspective view of one embodiment of a docking device for card reader, showing my new design; FIG. 2 is a partially exploded, perspective view thereof; FIG. 3 is a front-left perspective view thereof; FIG. 4 is a front-right perspective view thereof; FIG. 5 is a rear-left perspective view thereof; FIG. 6 is a rear-right perspective view thereof; FIG. 7 is a top plan view thereof; FIG. 8 is a front elevational view thereof; FIG. 9 is a rear elevational view thereof; FIG. 10 is a right side elevational view thereof; FIG. 11 is a left side elevational view thereof; and, FIG. 12 is a bottom plan view thereof. Broken lines are for illustrating unclaimed portions of the docking device for card reader and for illustrating an environment related to the claimed design; the broken lines form no part of the claimed design.

**1 Claim, 12 Drawing Sheets**



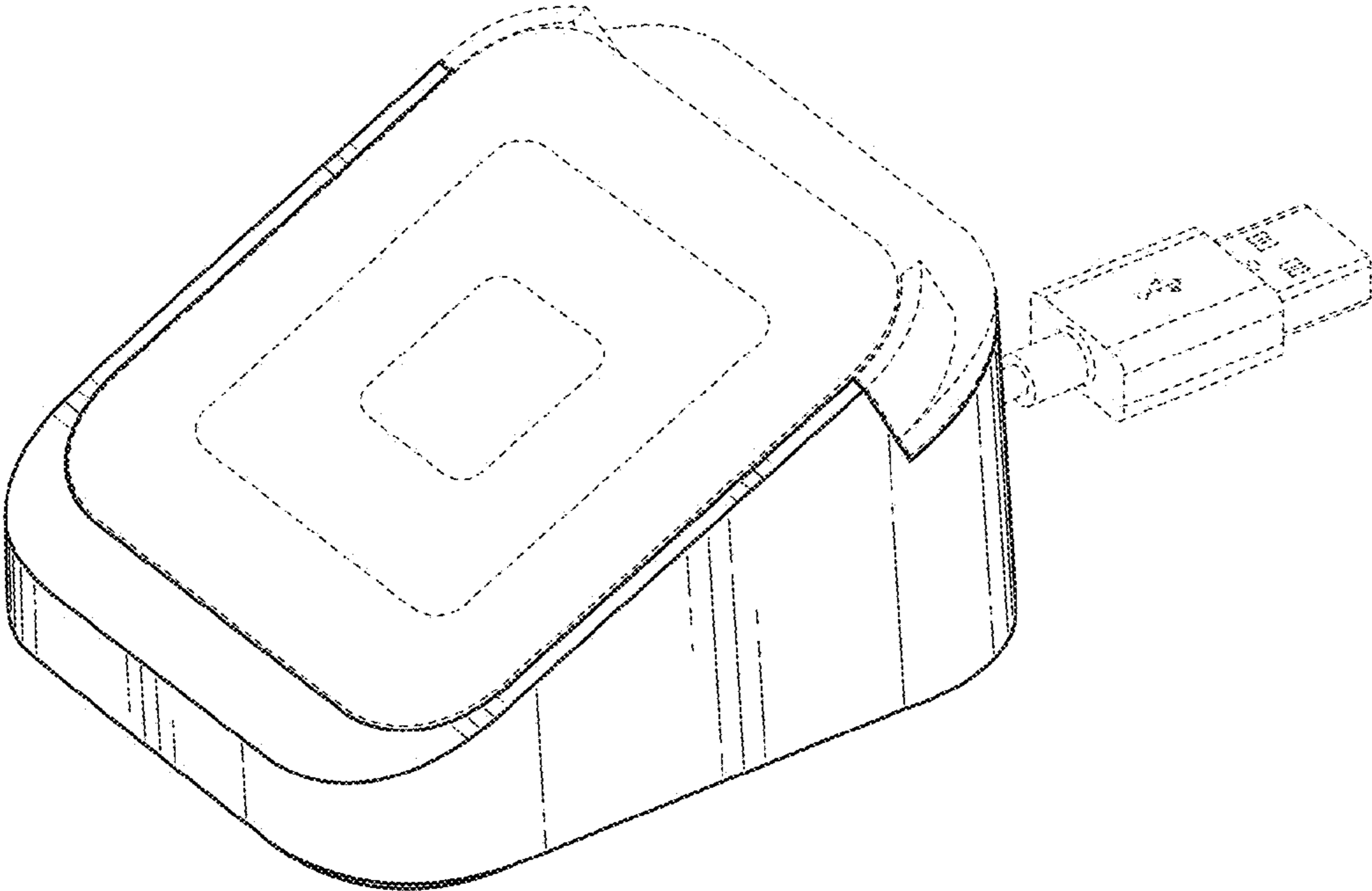


FIG. 1

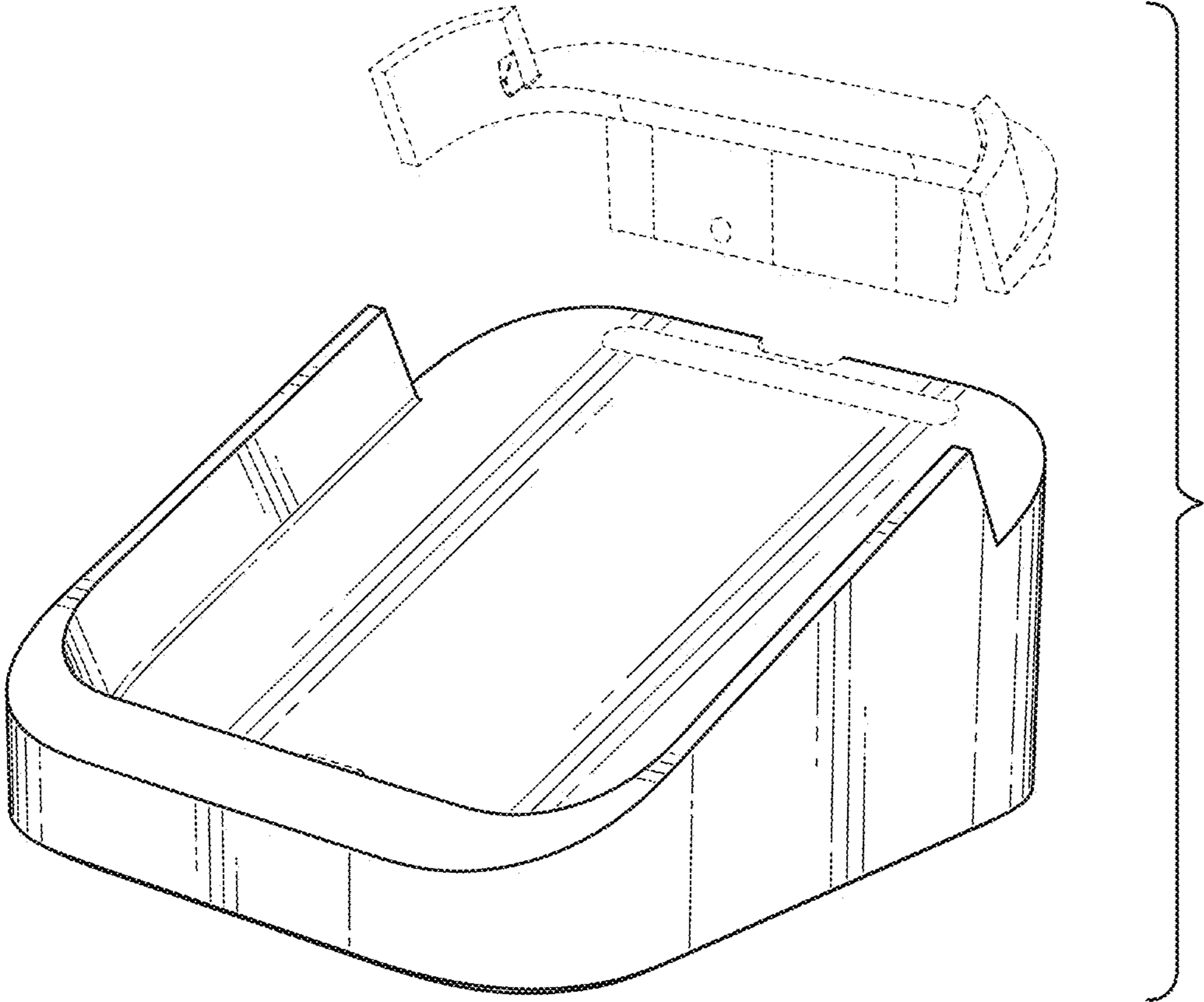


FIG. 2

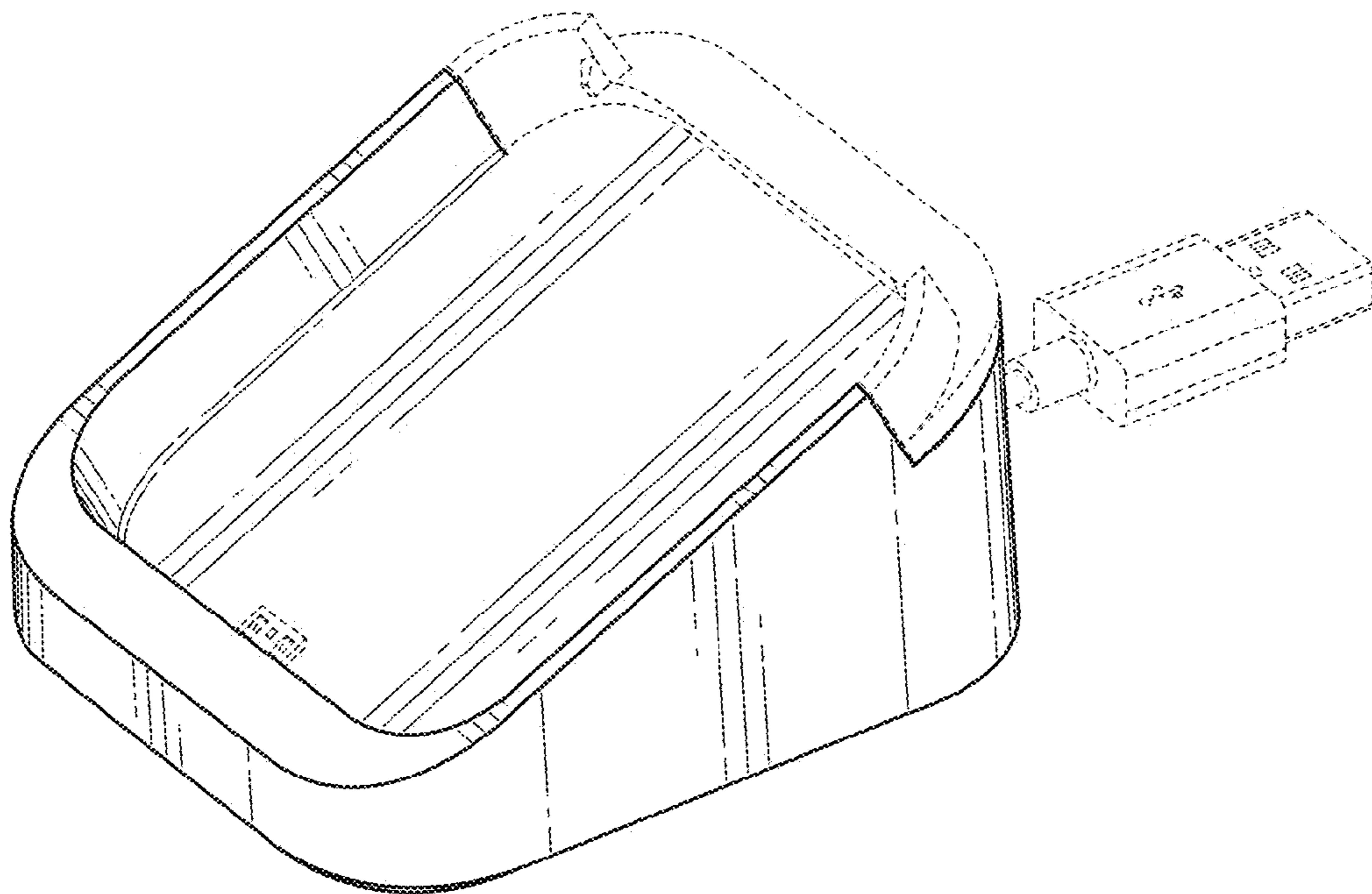


FIG. 3

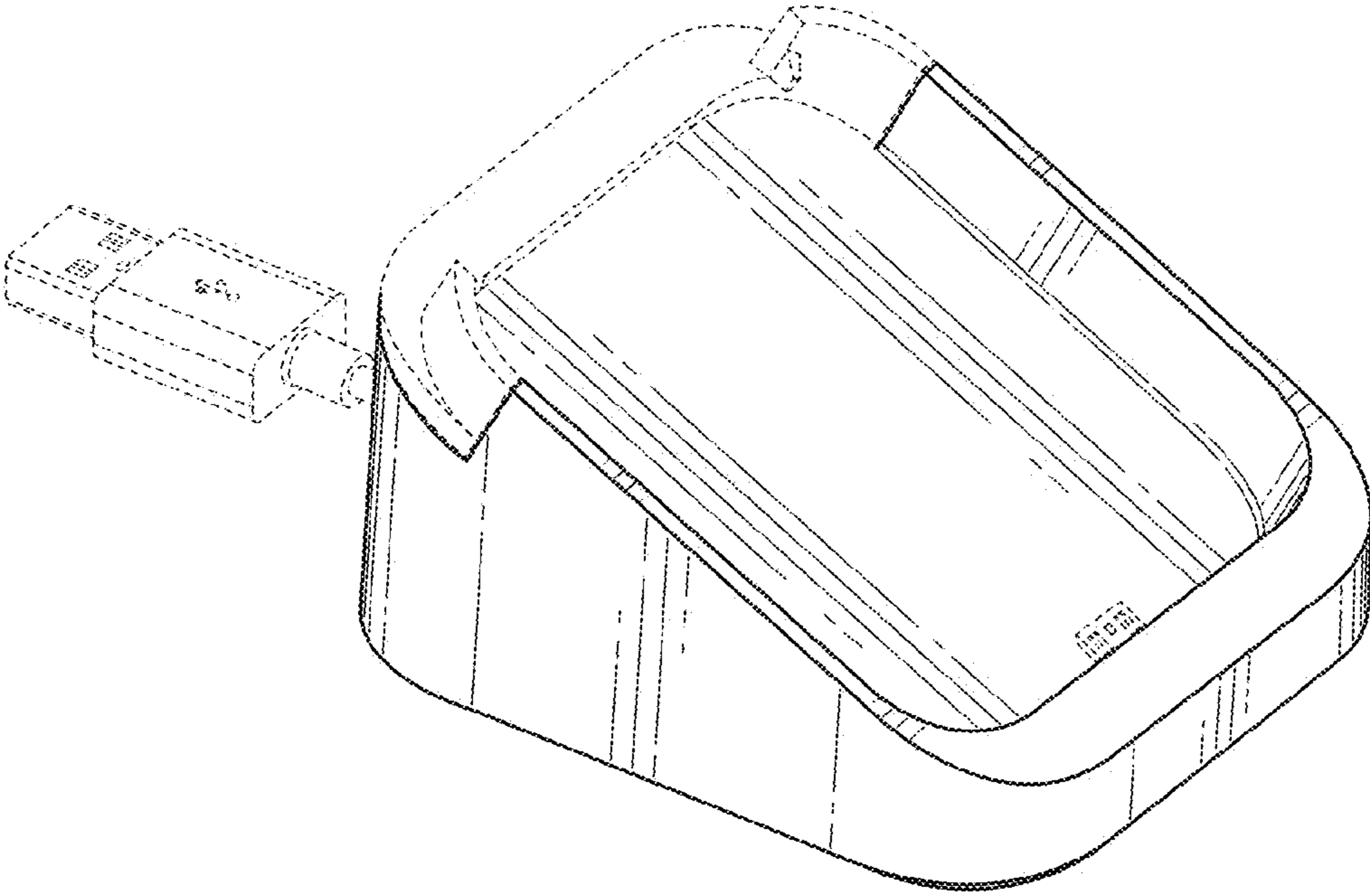


FIG. 4

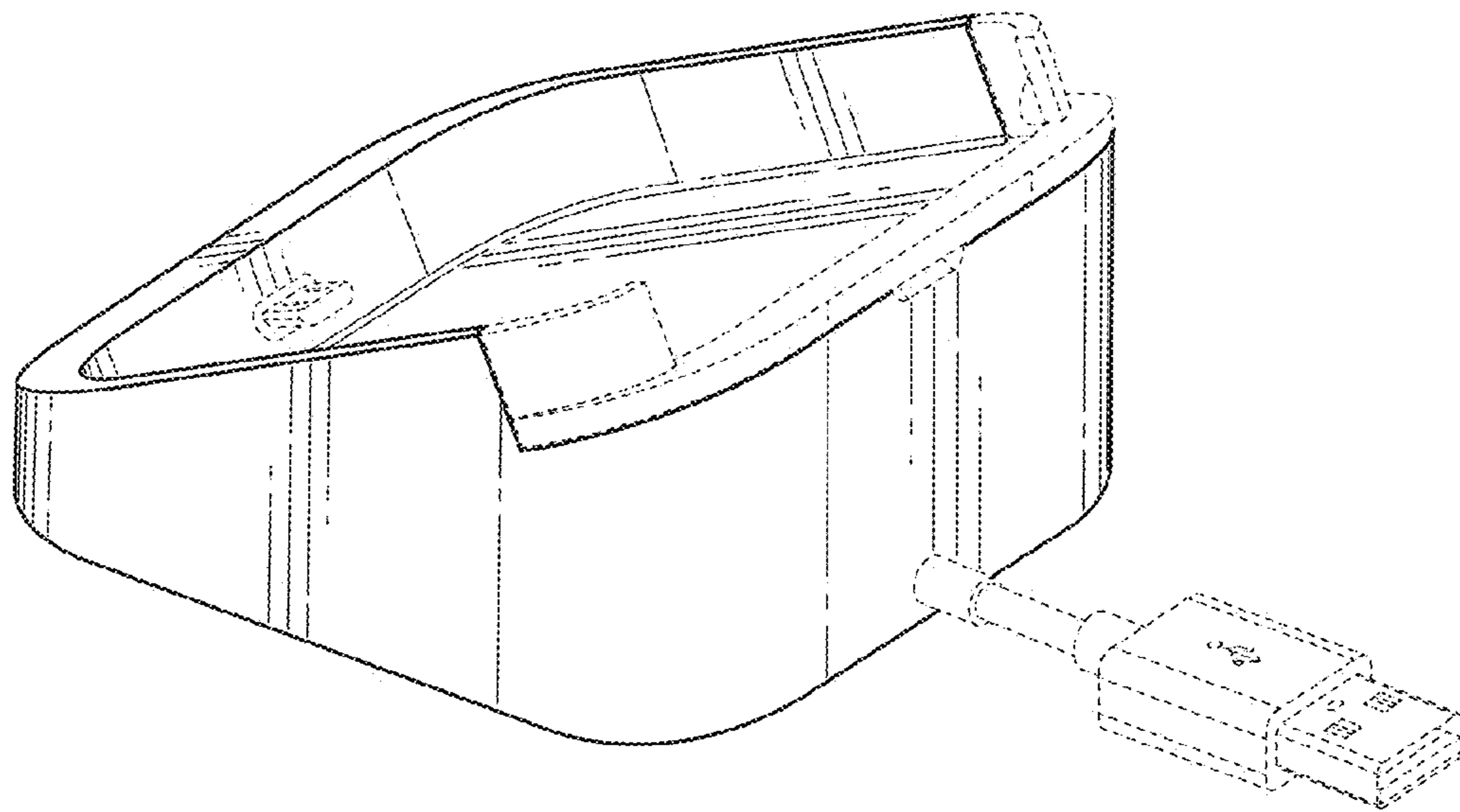


FIG. 5

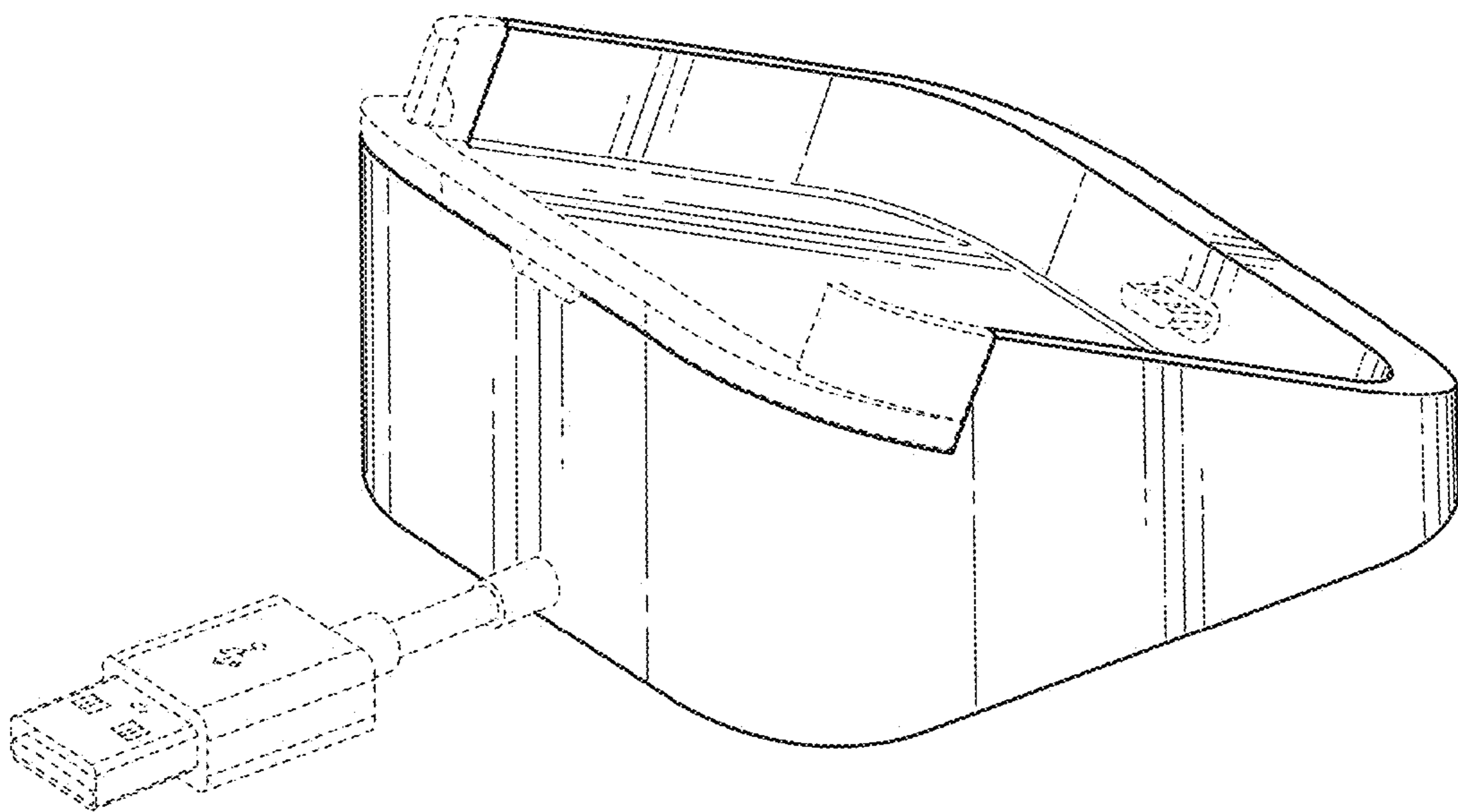


FIG. 6

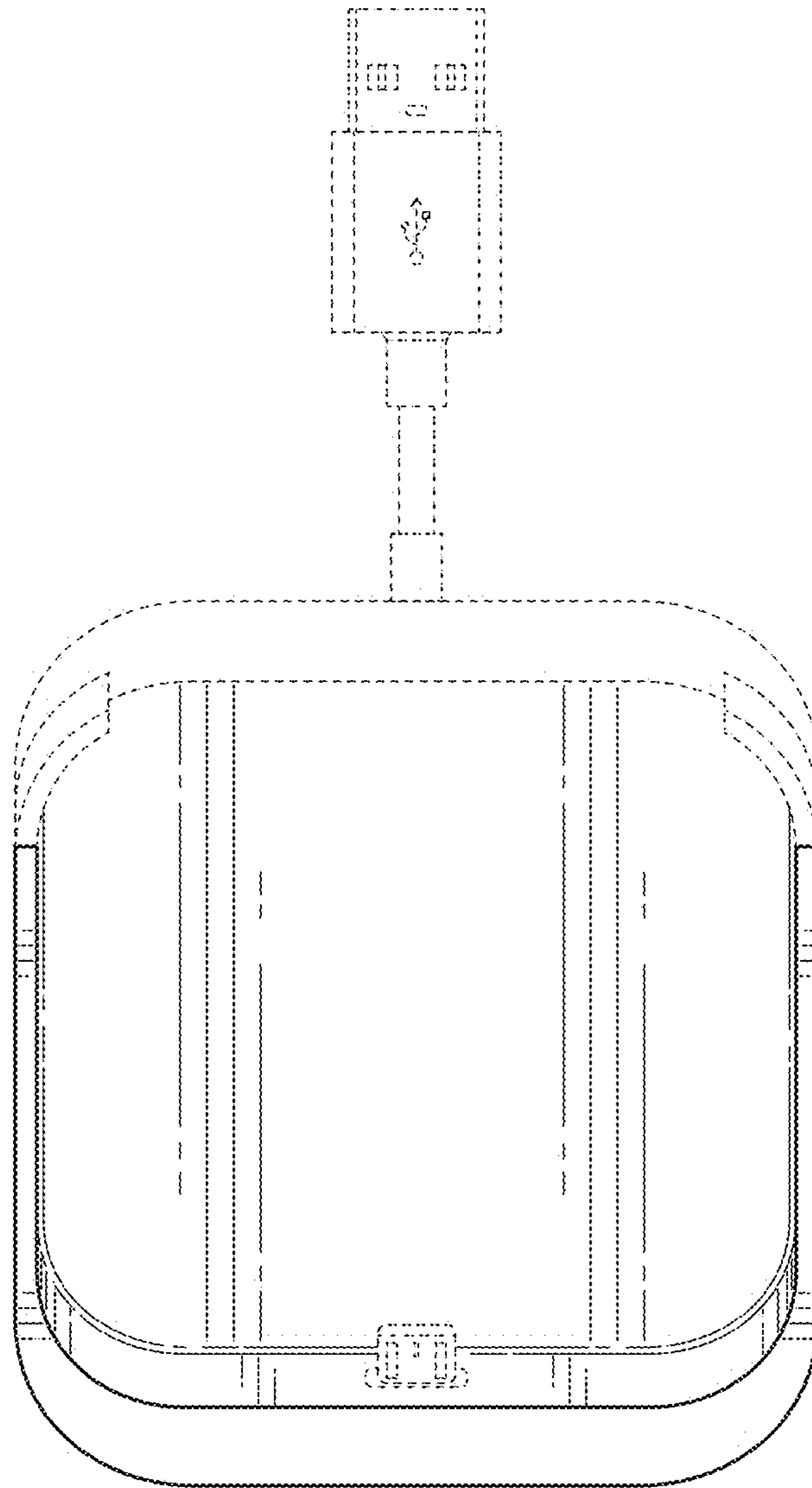


FIG. 7



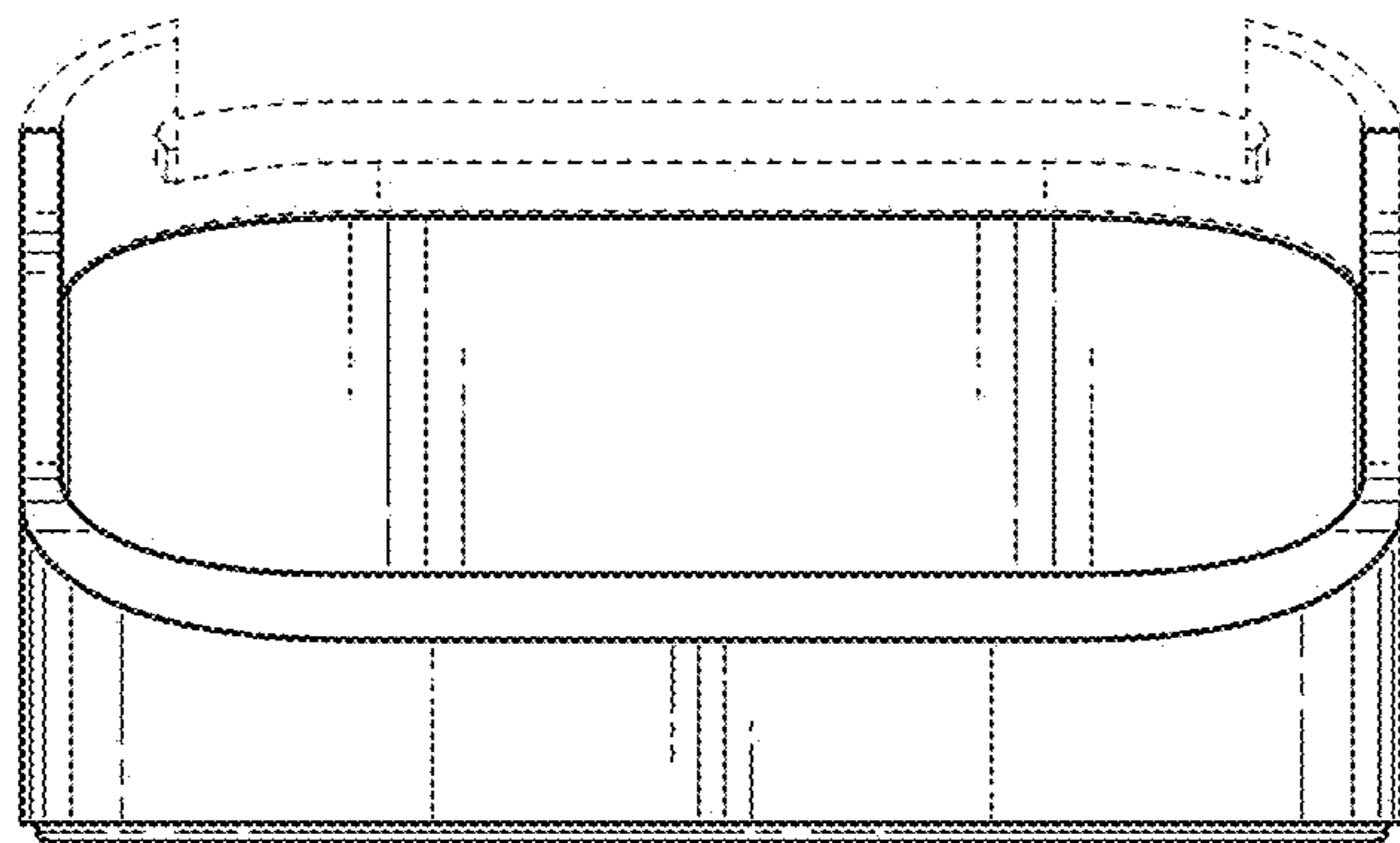


FIG. 8

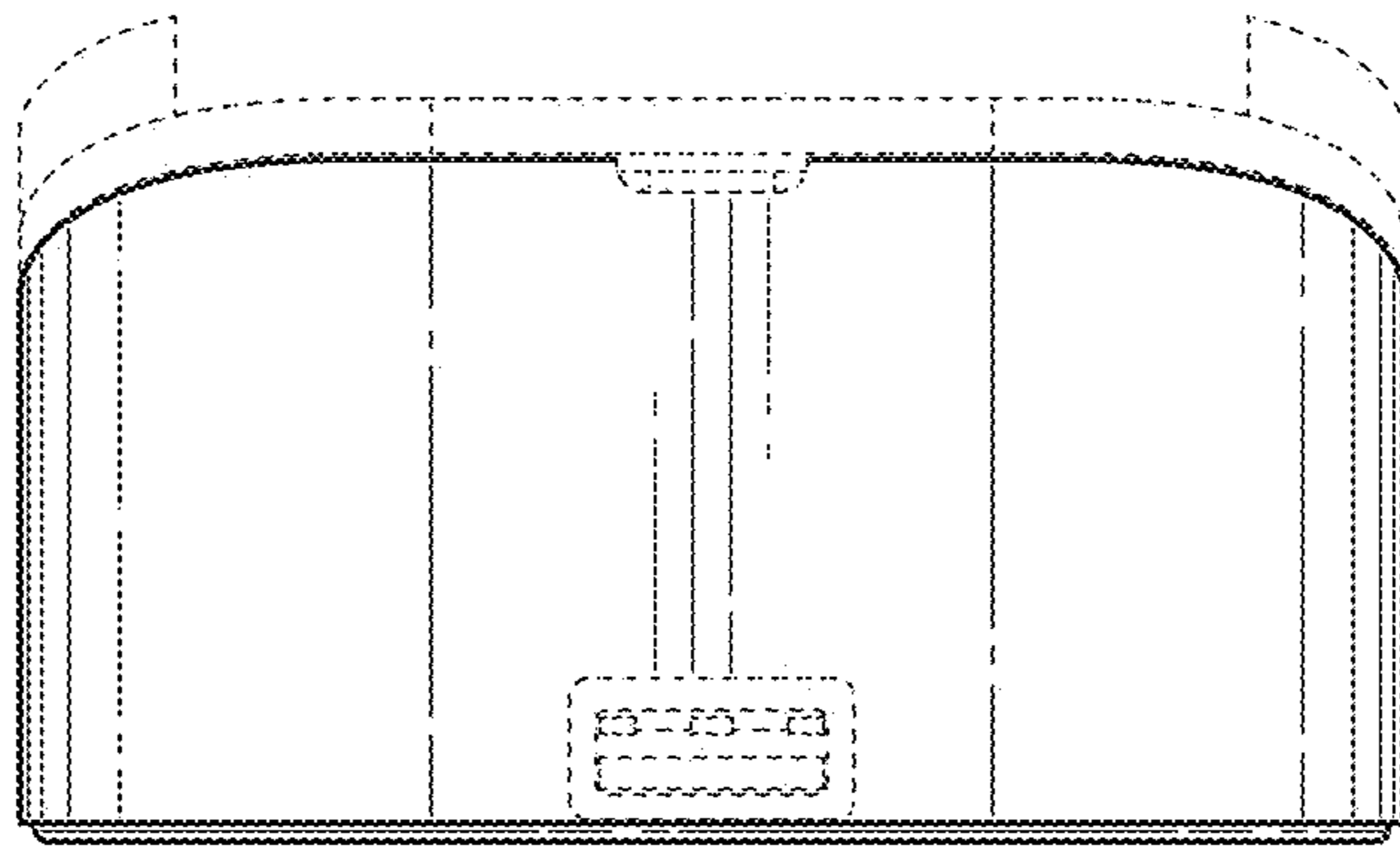


FIG. 9

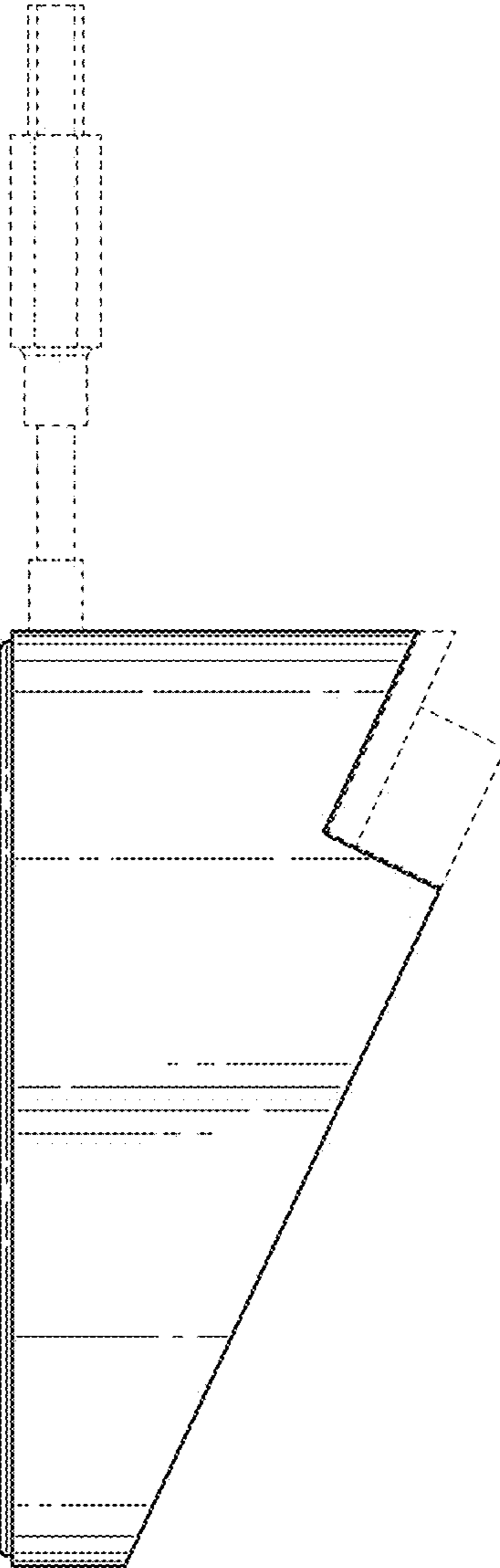


FIG. 10

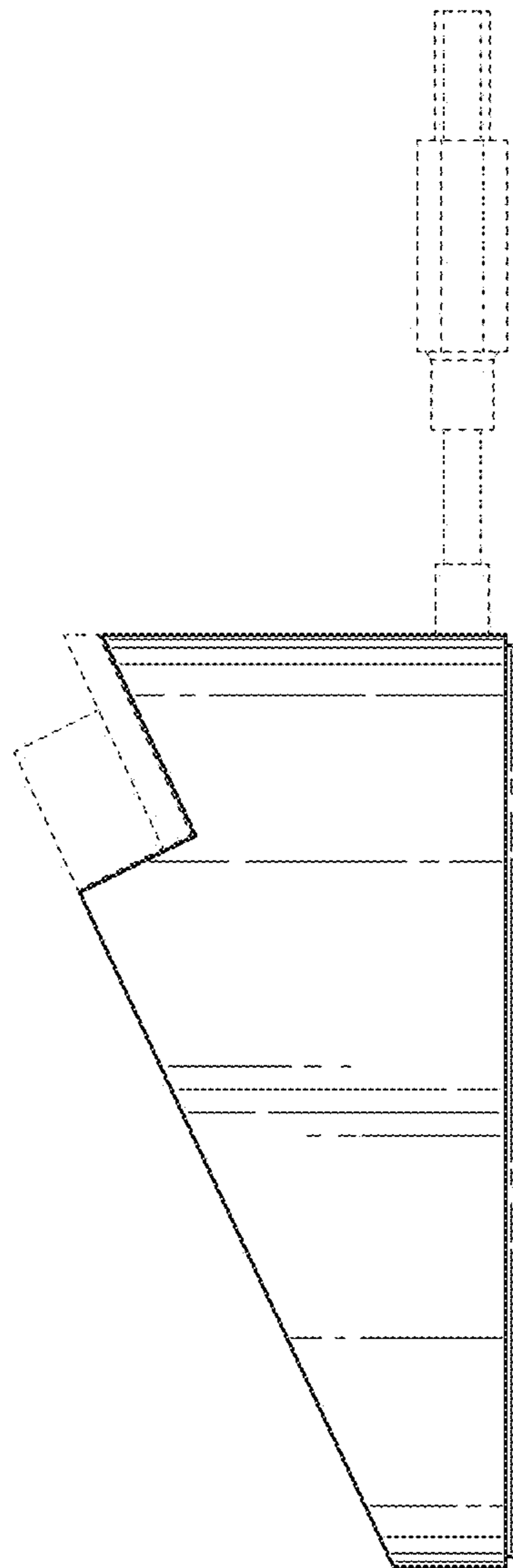


FIG. 11

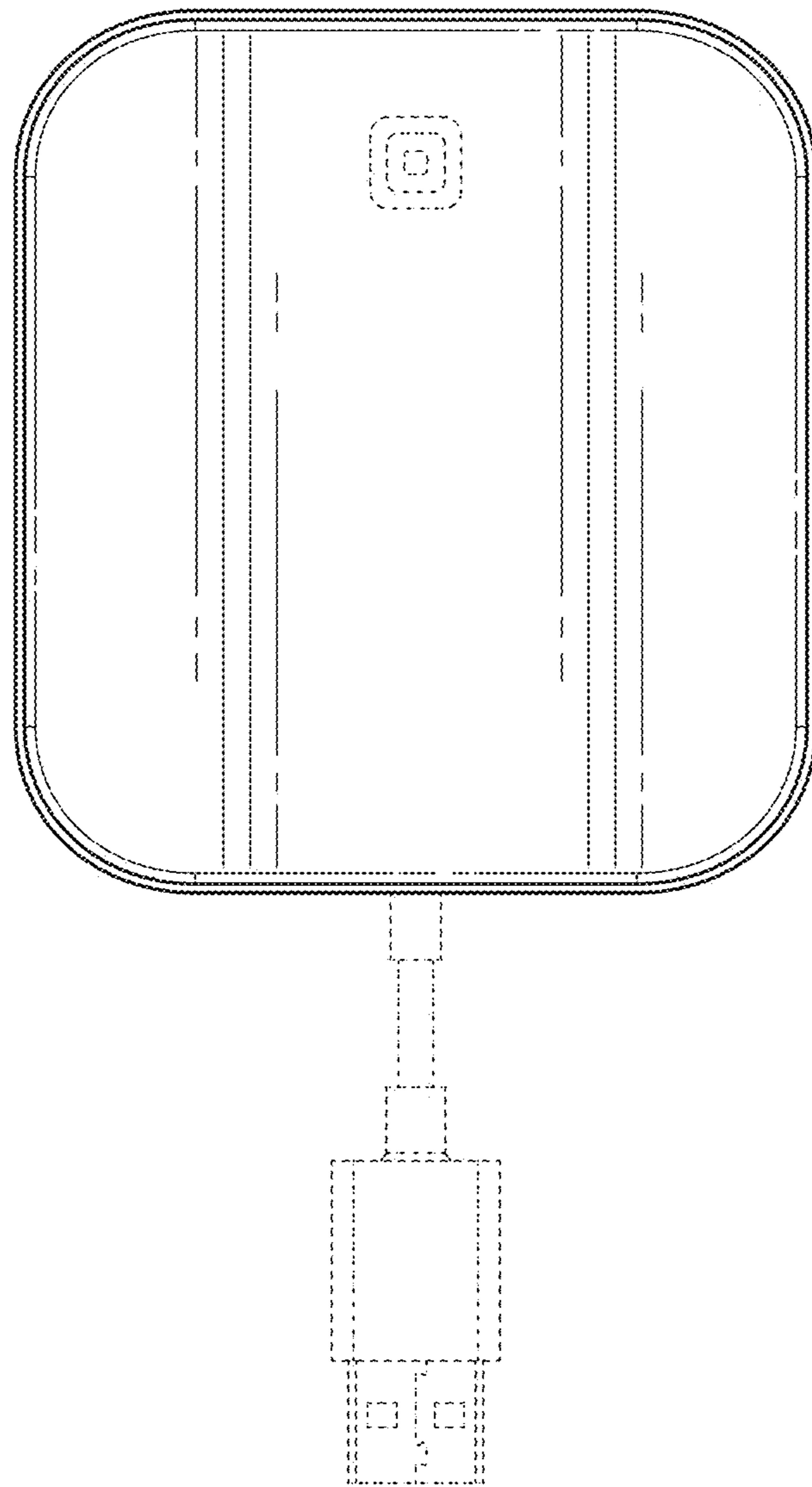


FIG. 12