



US00D752049S

(12) **United States Design Patent**
Lee

(10) **Patent No.:** **US D752,049 S**
(45) **Date of Patent:** **** Mar. 22, 2016**

(54) **DISPLAY**

CPC G06F 1/16; G06F 1/1601; G06F 3/037;
G06F 1/162; F16M 11/10
See application file for complete search history.

(71) Applicants: **BOE TECHNOLOGY GROUP CO., LTD.**, Beijing (CN); **K-Tronics (SuZhou) Technology Co., Ltd.**, Suzhou, Jiangsu Province (CN)

(56) **References Cited**

U.S. PATENT DOCUMENTS

(72) Inventor: **Cheng-Hsiung Lee**, Beijing (CN)

D520,004	S	*	5/2006	Baek	D14/375
D704,707	S	*	5/2014	Huh	D14/374
D708,614	S	*	7/2014	Huh	D14/374
2011/0096486	A1	*	4/2011	Oh	F16M 11/10 361/679.21
2012/0155004	A1	*	6/2012	Yukawa	G06F 1/1601 361/679.21

(73) Assignees: **BOE TECHNOLOGY GROUP CO., LTD.**, Beijing (CN); **K-Tronics (SuZhou) Technology Co., Ltd.**, Suzhou, Jiangsu Province (CN)

* cited by examiner

(**) Term: **14 Years**

Primary Examiner — Freda S Nunn

(21) Appl. No.: **29/506,740**

(74) *Attorney, Agent, or Firm* — Nath, Goldberg & Meyer; Joshua B. Goldberg; Christopher Thomas

(22) Filed: **Oct. 20, 2014**

(57) **CLAIM**

The ornamental design for a display, as shown and described.

(30) **Foreign Application Priority Data**

DESCRIPTION

May 20, 2014 (CN) 2014 3 0140563

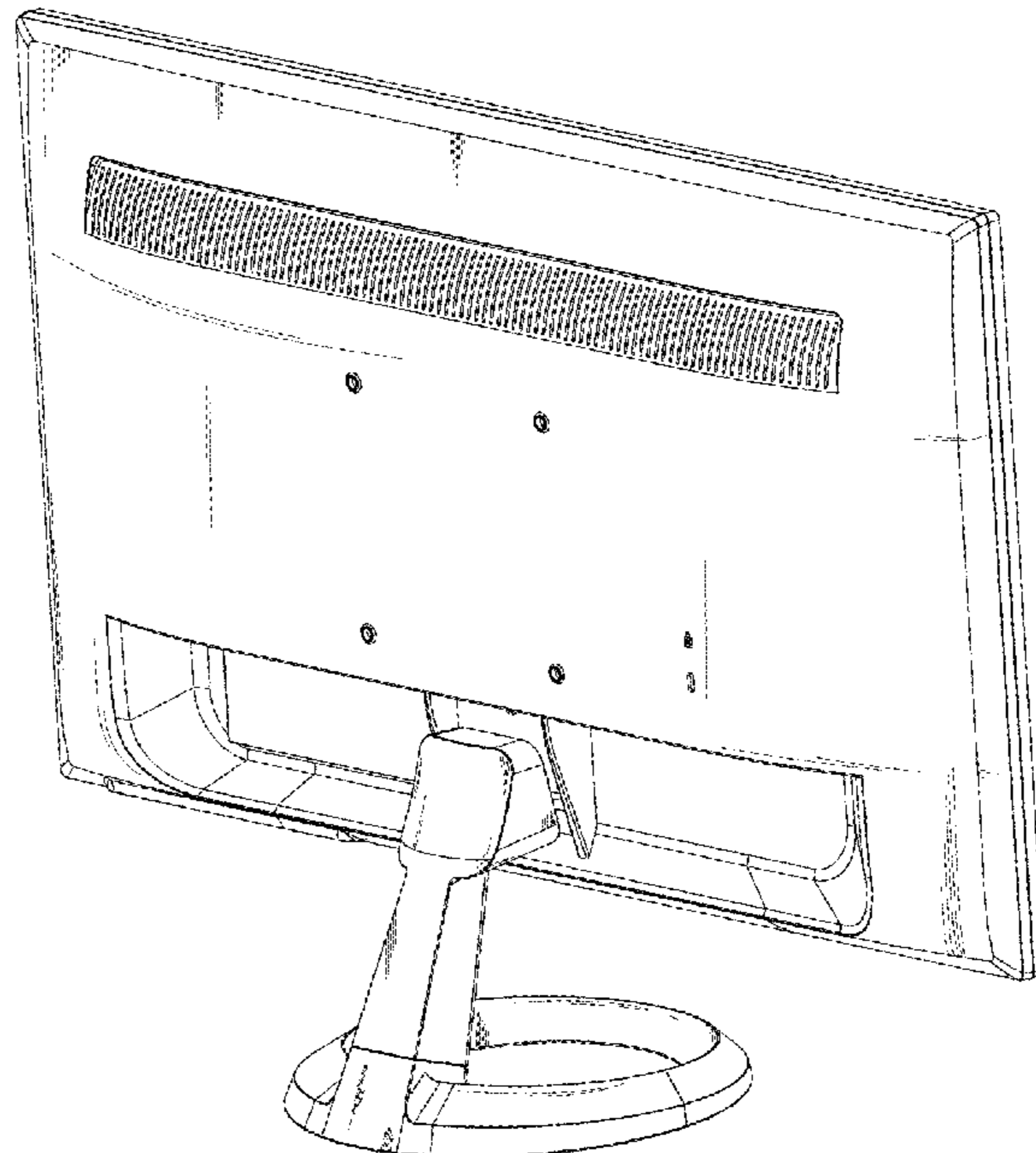
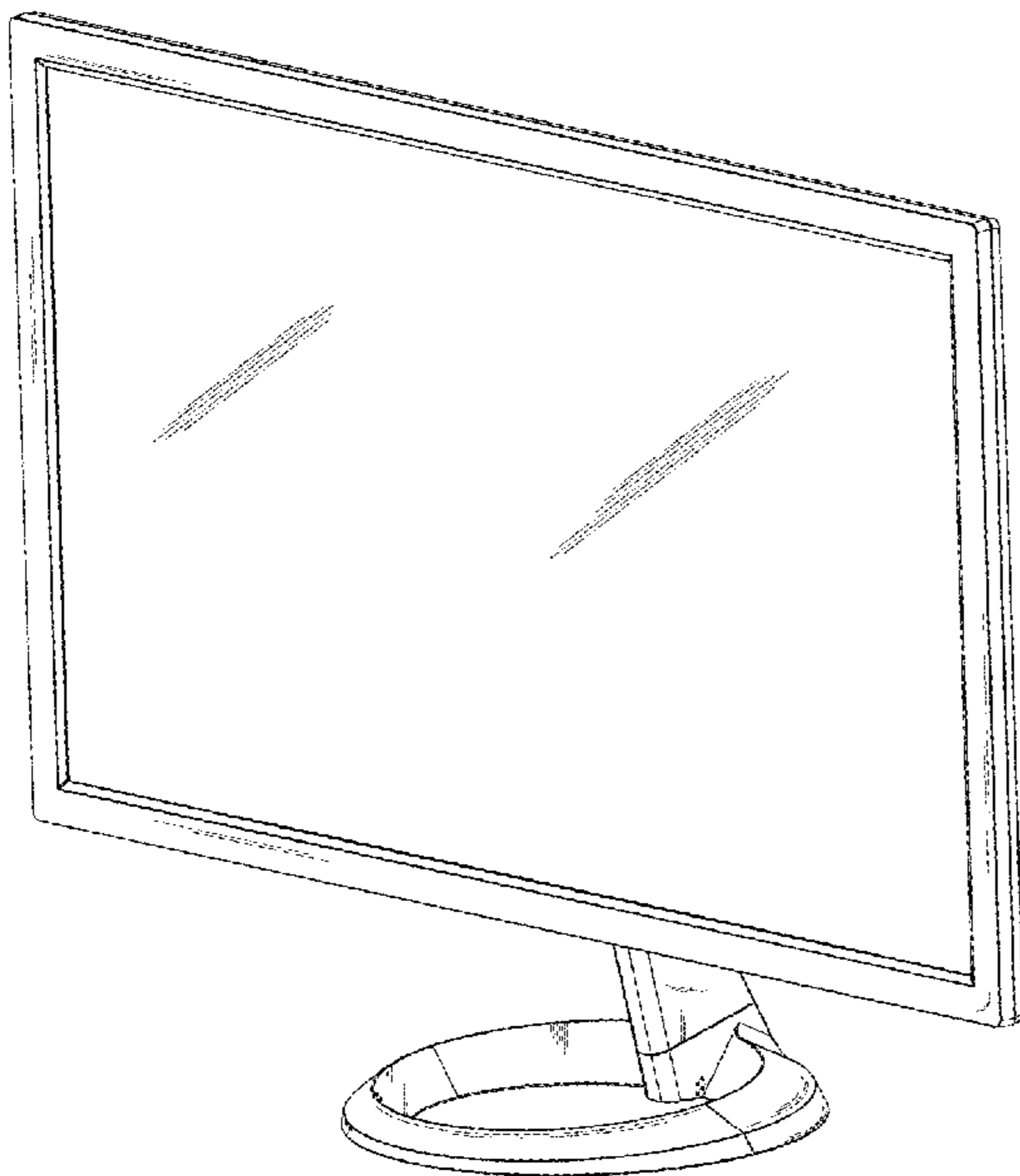
(51) **LOC (10) Cl.** **14-02**

(52) **U.S. Cl.**
USPC **D14/375**

(58) **Field of Classification Search**
USPC D14/371–375, 125–129, 336, 337, 341;
341/12; 345/104, 156, 168, 173;
348/180, 184, 325, 739; 349/1, 2, 11,
349/62; 361/679.05–679.07, 679.21;
D6/300, 308

FIG. 1 is a front view of a display;
FIG. 2 is a rear view thereof;
FIG. 3 is a left side view thereof;
FIG. 4 is a right side view thereof;
FIG. 5 is a top view thereof;
FIG. 6 is a bottom view thereof;
FIG. 7 is a perspective view thereof; and,
FIG. 8 is another perspective view thereof.

1 Claim, 8 Drawing Sheets



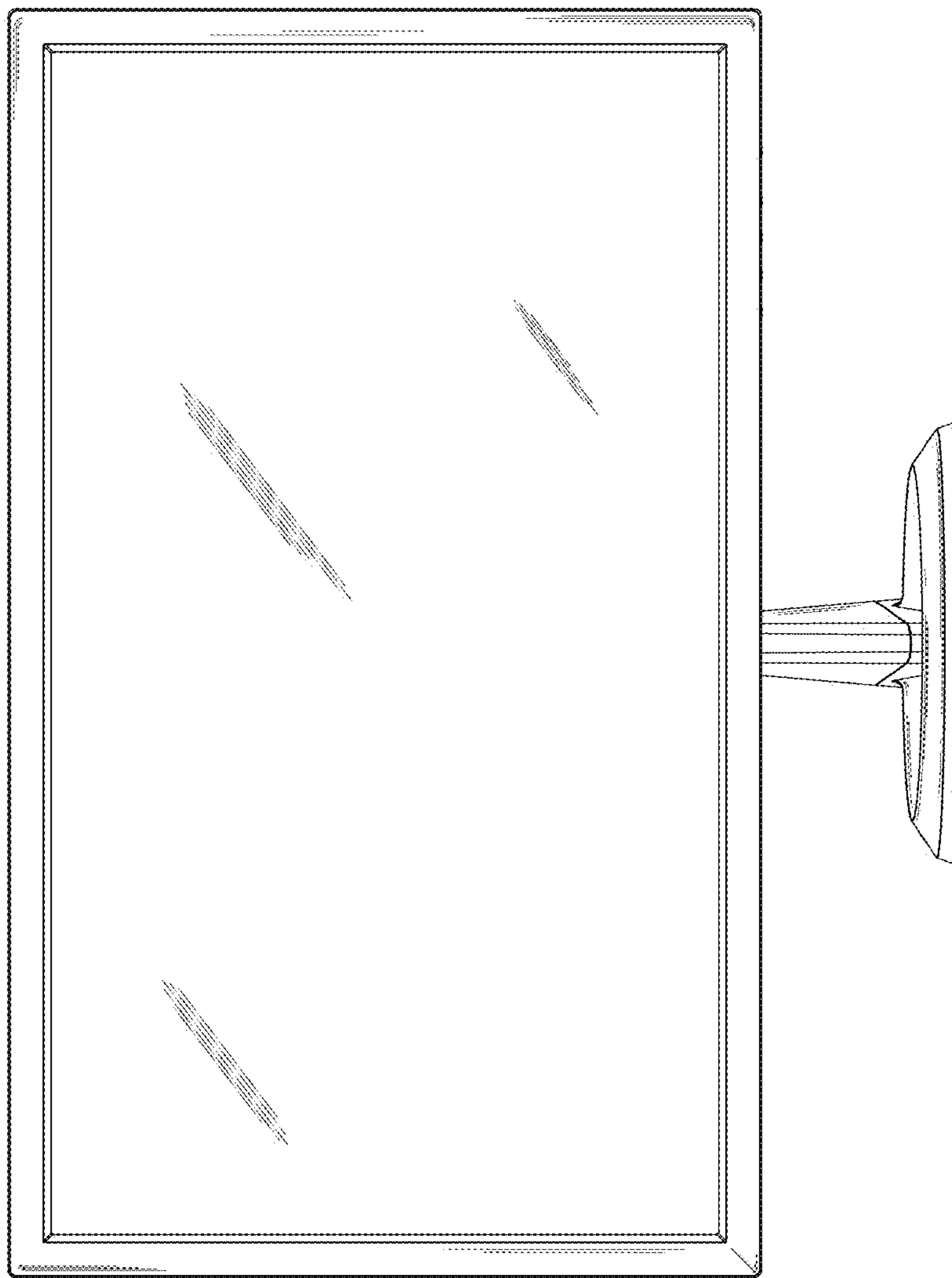


FIG. 1

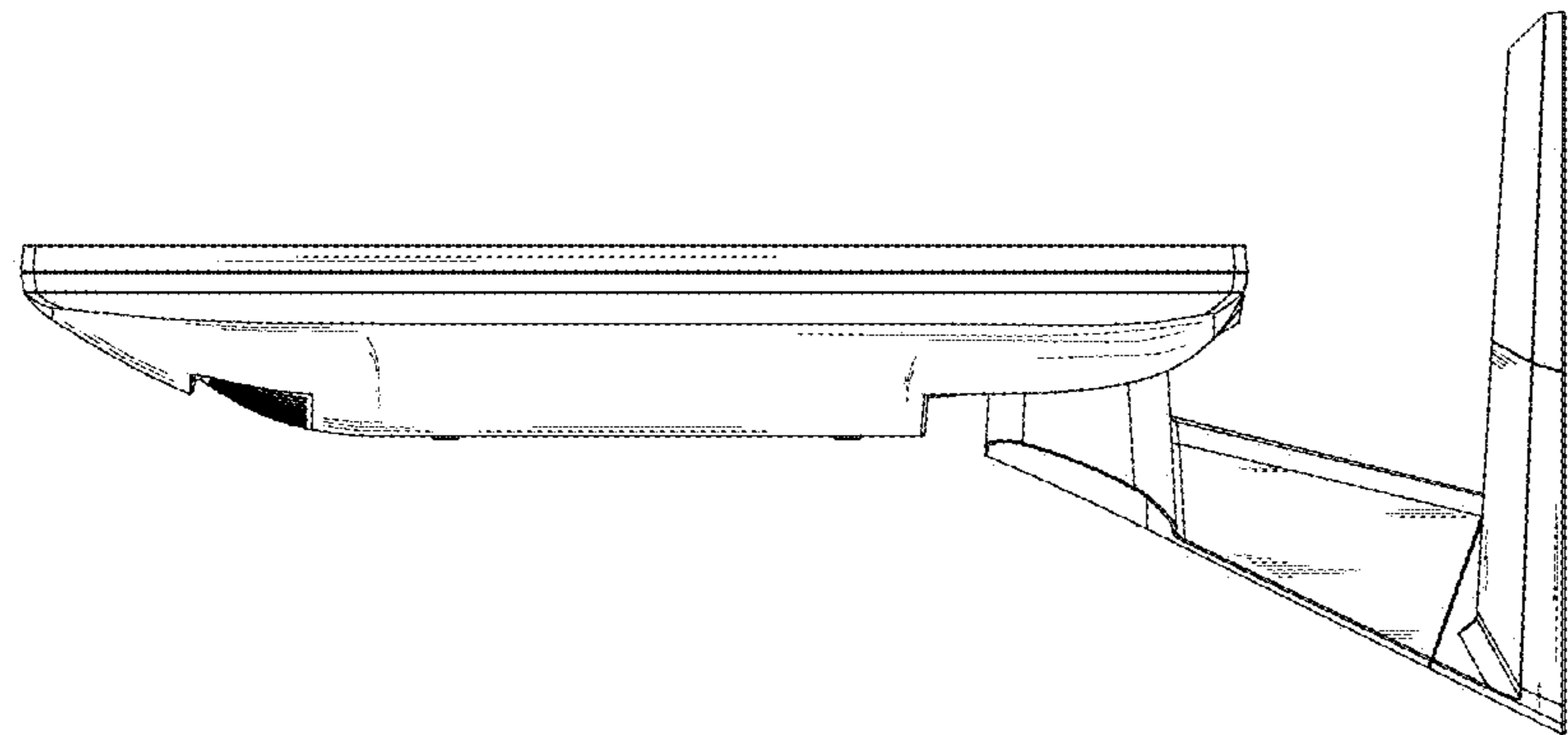


FIG. 3

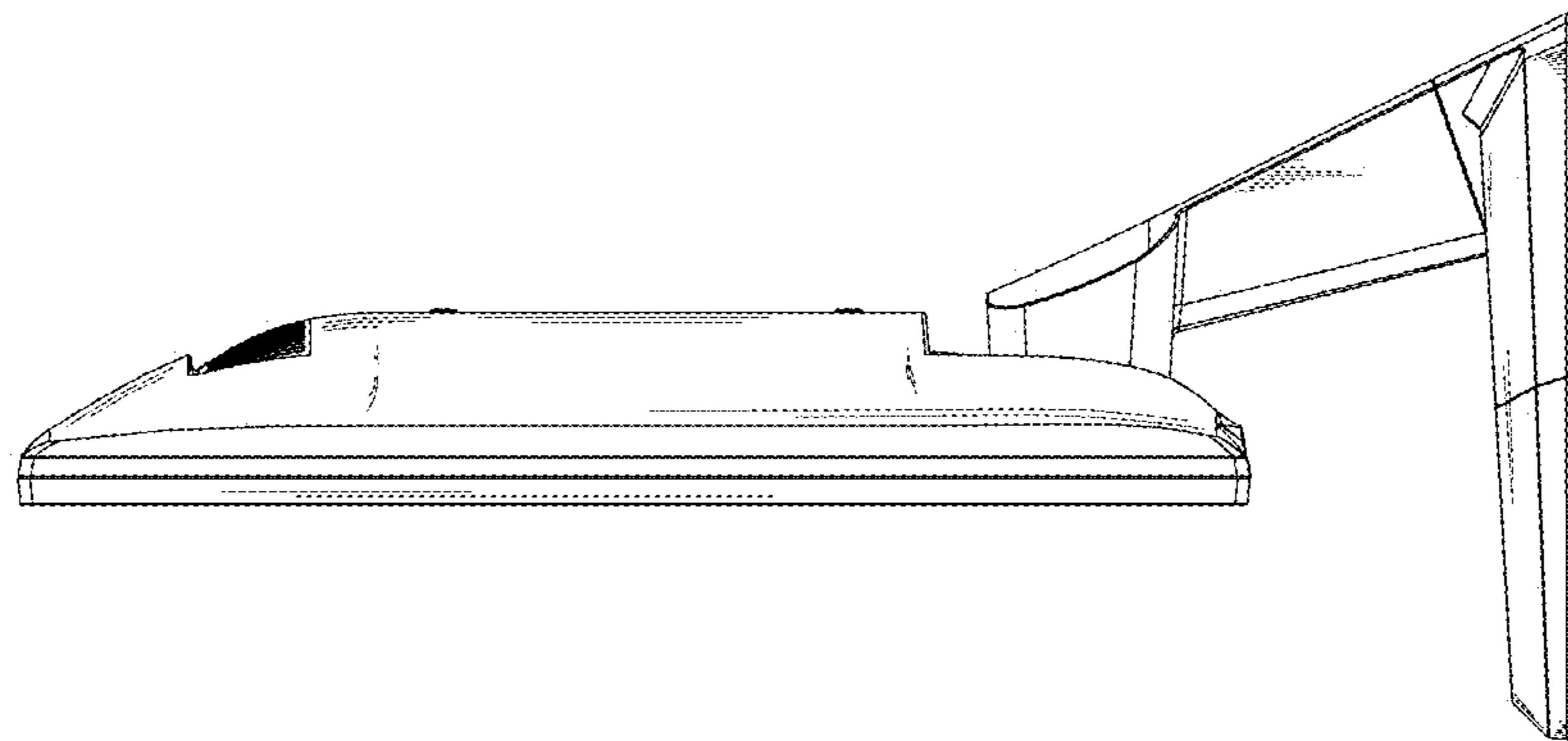


FIG. 4

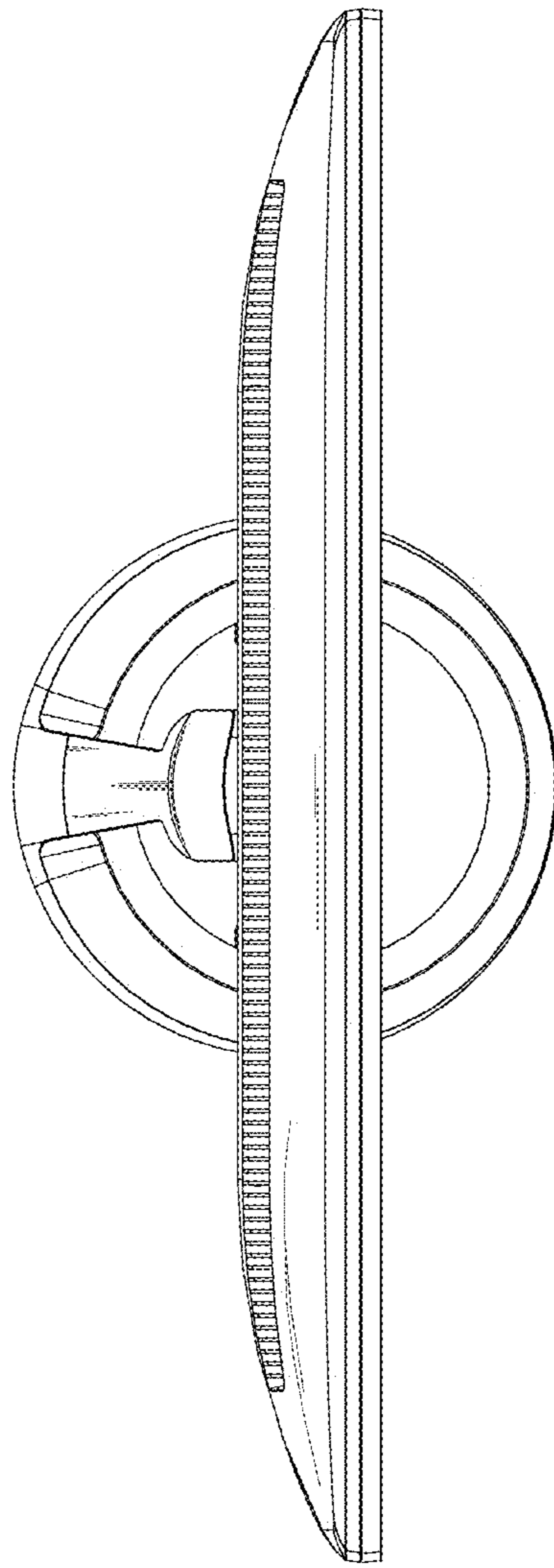


FIG. 5

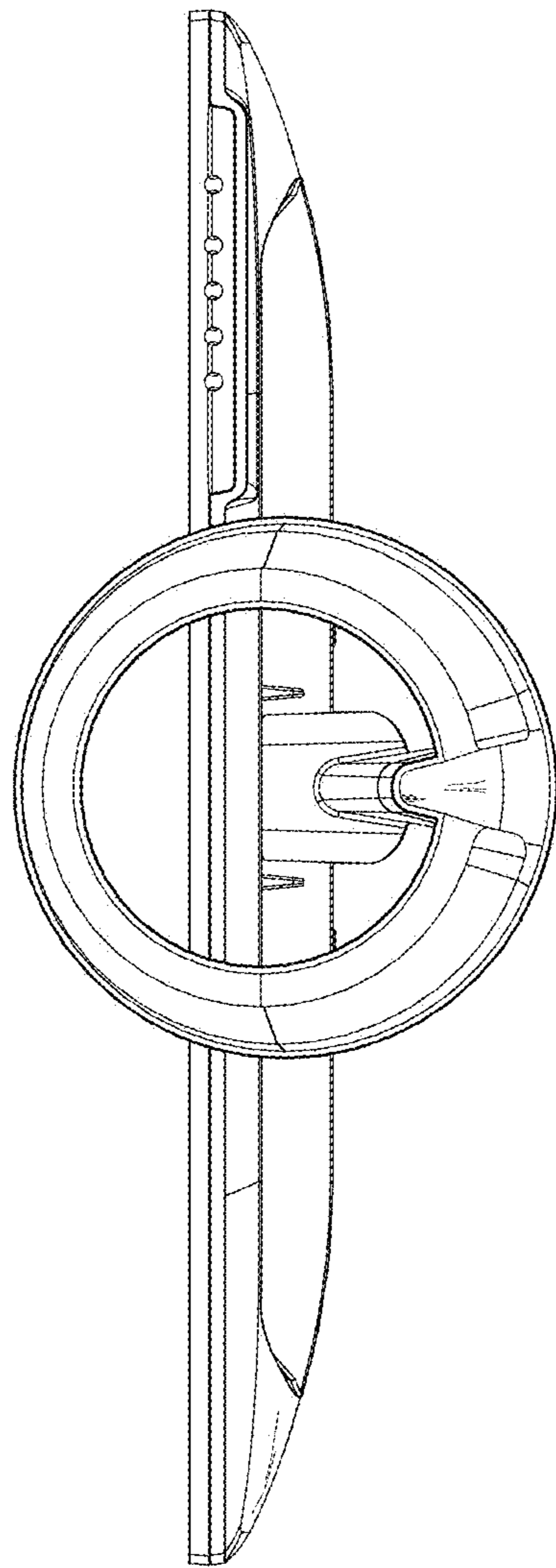


FIG. 6

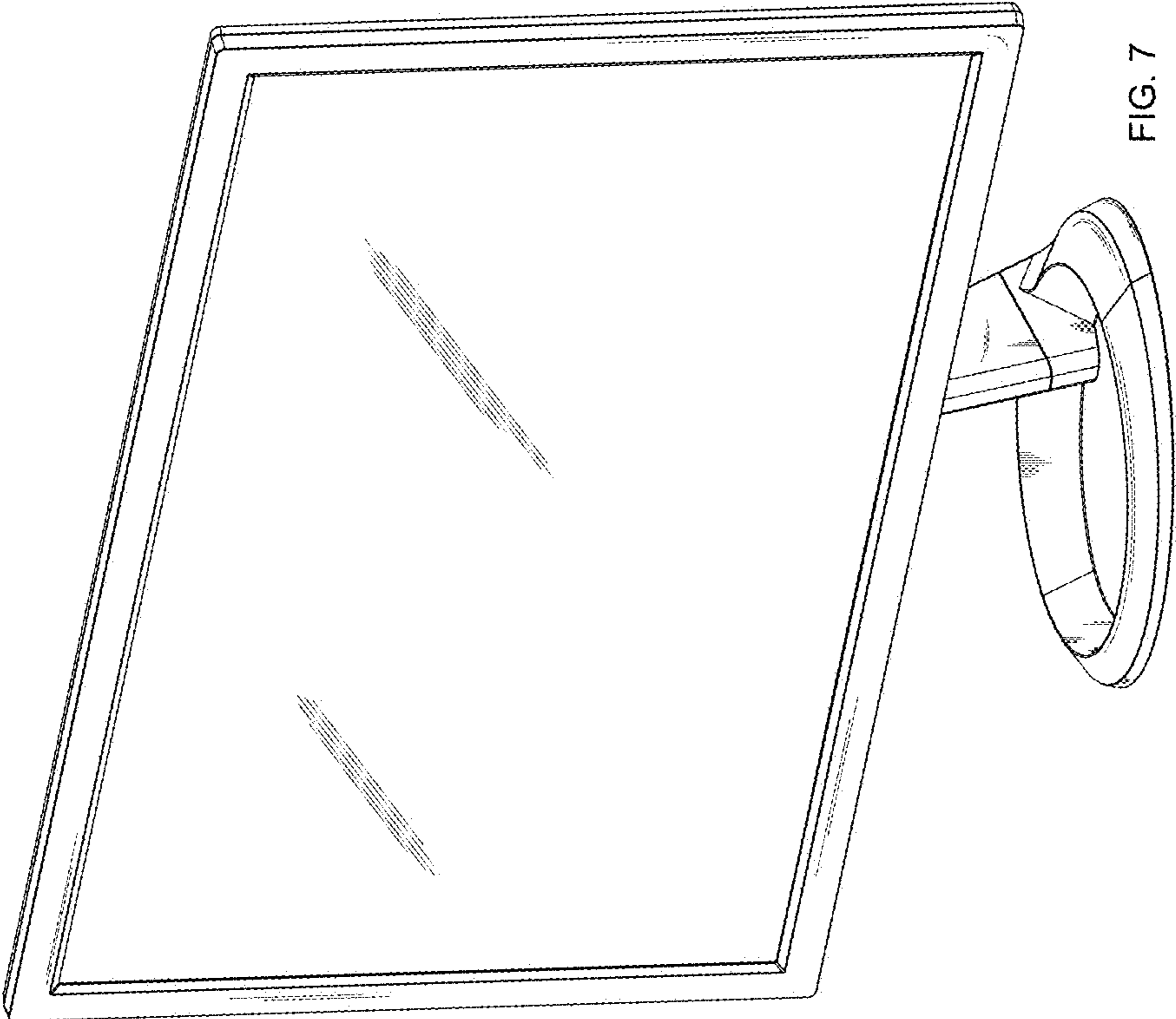


FIG. 7

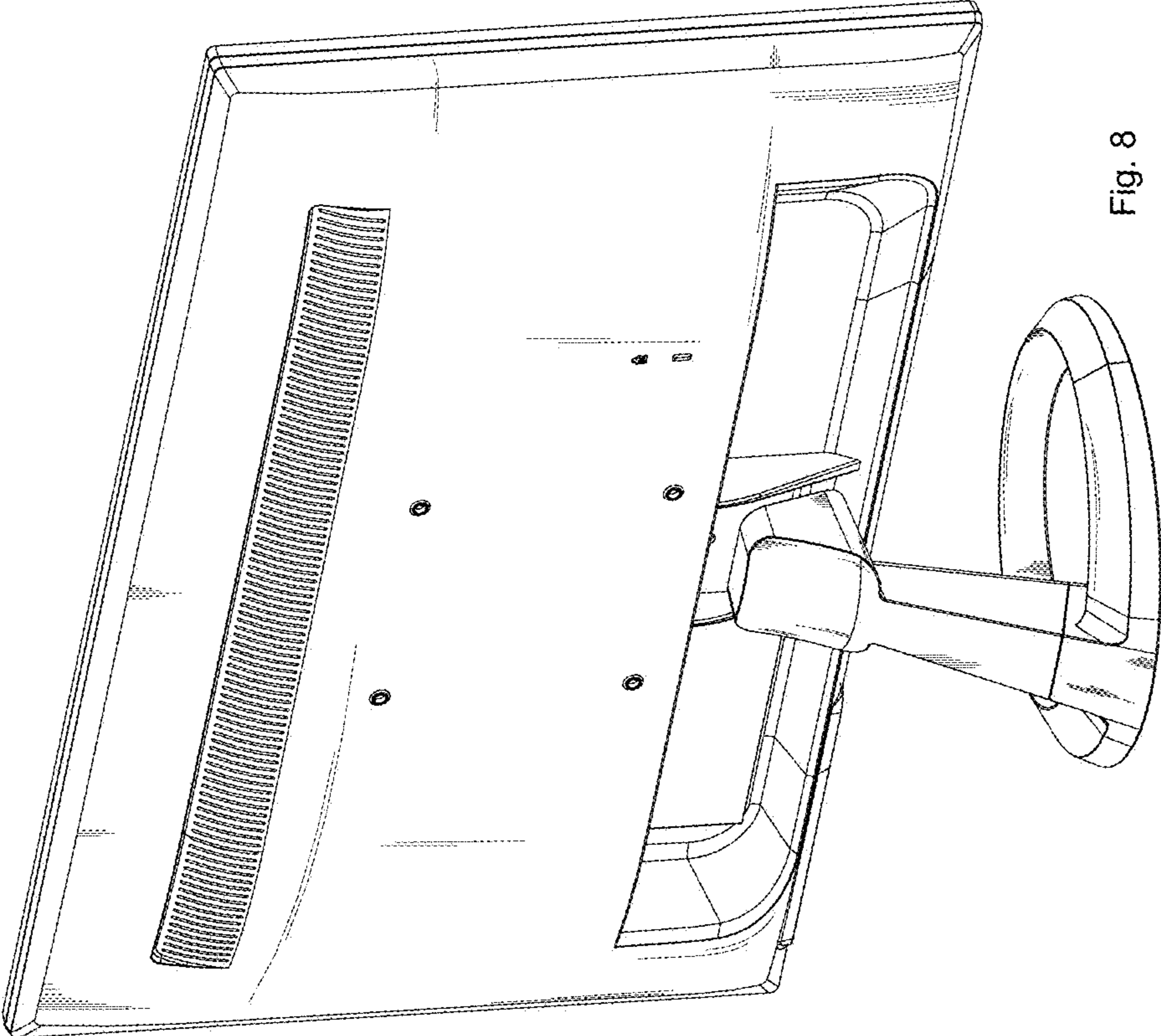


Fig. 8