



US00D752048S

(12) **United States Design Patent**  
**Zuccarino et al.**

(10) **Patent No.:** **US D752,048 S**  
(45) **Date of Patent:** **\*\* \*Mar. 22, 2016**

(54) **DISPLAY DEVICE WITH CAMERAS**

(71) Applicant: **Aquifi, Inc.**, Palo Alto, CA (US)

(72) Inventors: **Tony Zuccarino**, Saratoga, CA (US);  
**Abbas Rafii**, Palo Alto, CA (US)

(73) Assignee: **Aquifi, Inc.**, Palo Alto, CA (US)

(\*) Notice: This patent is subject to a terminal disclaimer.

(\*\*) Term: **14 Years**

(21) Appl. No.: **29/480,800**

(22) Filed: **Jan. 29, 2014**

**Related U.S. Application Data**

(63) Continuation-in-part of application No. 13/987,323, filed on Jan. 29, 2013, now abandoned.

(51) **LOC (10) Cl.** ..... **14-02**

(52) **U.S. Cl.**  
USPC ..... **D14/374**

(58) **Field of Classification Search**  
USPC ..... D14/315–327, 371–374, 125–129;  
D18/1, 2, 7, 11; 235/145 A, 145 R;  
341/22, 23; 345/104, 156, 168, 169,  
345/173; 361/679.08, 679.09, 679.11,  
361/679.26, 679.27  
CPC ..... G06F 1/16; G06F 1/1616; G06F 1/1601;  
G06F 1/162; G06F 3/037; G06F 3/01; G06F  
3/017; G06F 3/0421; G06F 3/0425; H01R  
35/02; H03M 11/00; G09B 13/04; H03K  
17/94; H04B 7/00; F16M 11/10

See application file for complete search history.

(56) **References Cited**

U.S. PATENT DOCUMENTS

D420,564 S	2/2000	Willems	
D438,538 S *	3/2001	Ogasawara	D14/317
D442,172 S *	5/2001	Mizuno	D14/317
D455,793 S	4/2002	Lin	
D465,487 S	11/2002	Nagai et al.	
6,480,373 B1 *	11/2002	Landry et al.	361/679.06
D473,228 S	4/2003	Hussaini et al.	

(Continued)

OTHER PUBLICATIONS

Motion sensing laptop (engadget), available Jun. 25, 2010, [online], [site visited May 12, 2015]. Available from internet, <URL: <http://www.engadget.com/2010/06/25/pointgrabs-motion-sensing-tech-coming-to-more-laptops-we-go-ha/>> (2 pages).

(Continued)

*Primary Examiner* — Freda S Nunn

(74) *Attorney, Agent, or Firm* — Lewis Roca Rothgerber Christie LLP

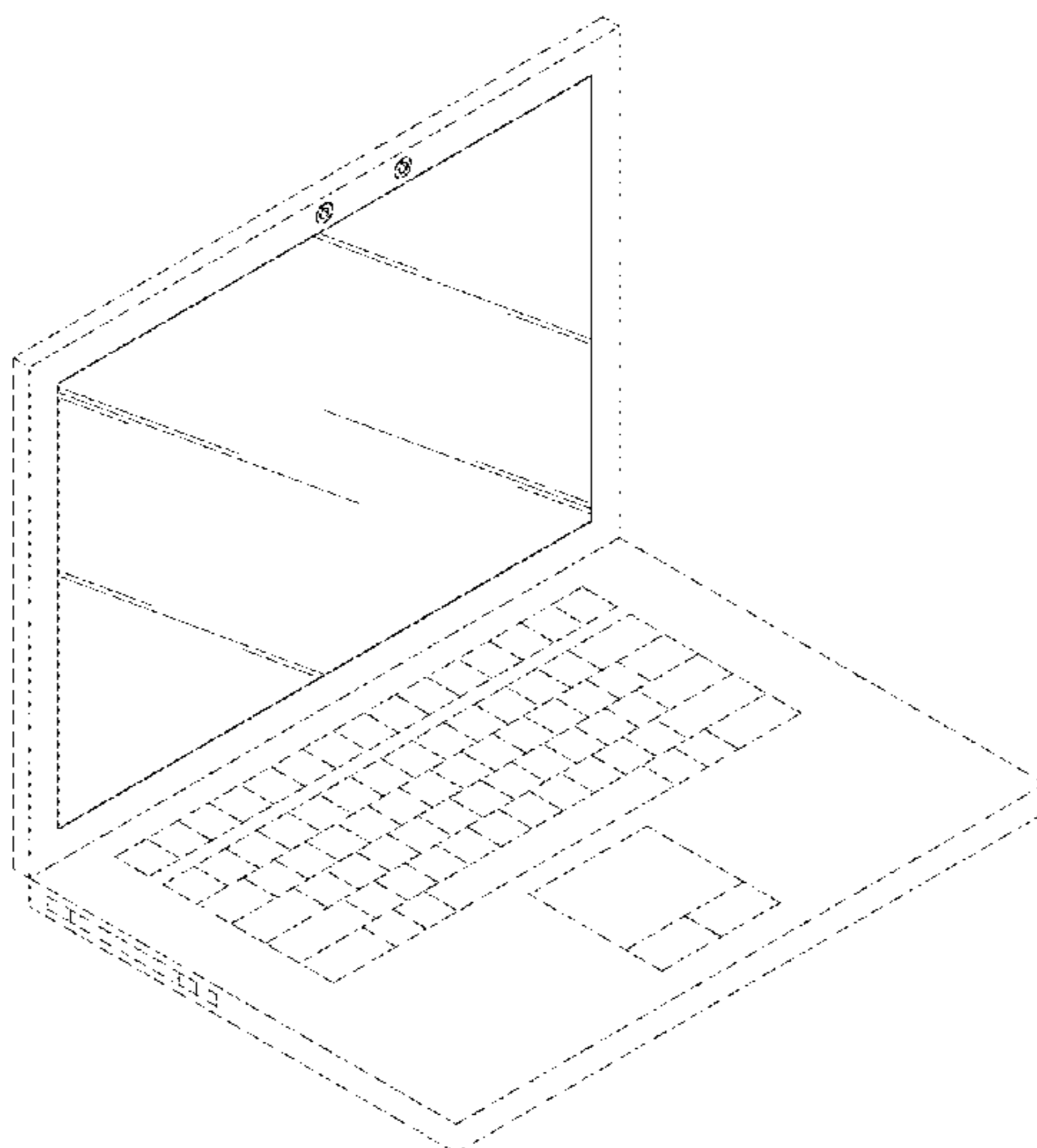
(57) **CLAIM**

The ornamental design for a display device with cameras, as shown and described.

**DESCRIPTION**

FIG. 1 is a perspective view of a display device with cameras in accordance with our design wherein the display is shown applied to an unclaimed laptop computer;  
FIG. 2 is a front view thereof;  
FIG. 3 is a perspective view thereof wherein the display is shown applied to an unclaimed computer monitor;  
FIG. 4 is a front view thereof;  
FIG. 5 is a perspective view thereof wherein the display is shown applied to an unclaimed all-in-one computer;  
FIG. 6 is a front view thereof;  
FIG. 7 is a perspective view thereof wherein the display is shown applied to an unclaimed tablet computer; and,  
FIG. 8 is a front view thereof.  
Broken lines shown in the drawings are for environment only, and form no part of the claimed design.

**1 Claim, 8 Drawing Sheets**



(56)

References Cited

U.S. PATENT DOCUMENTS

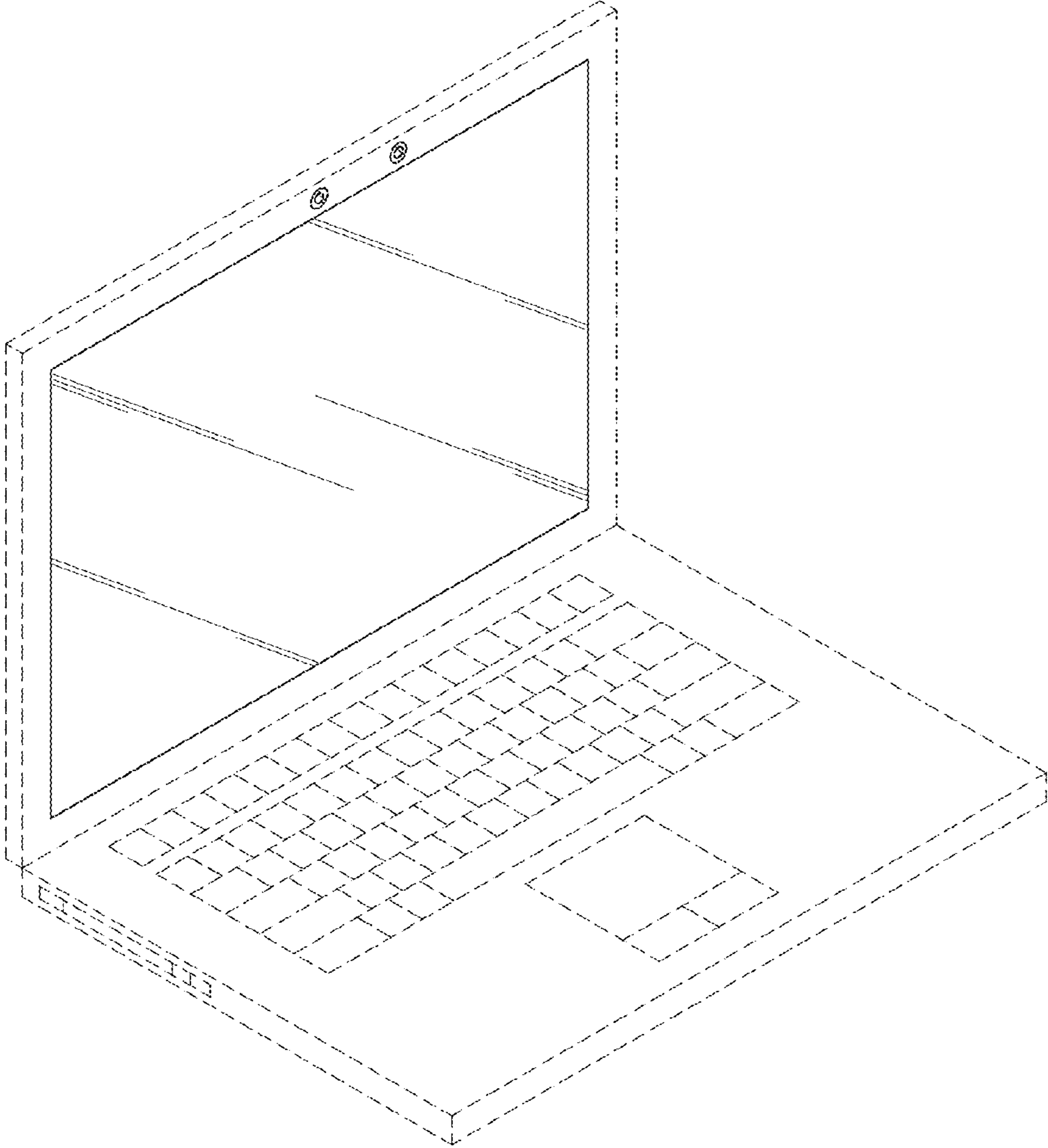
D476,326 S 6/2003 Tanimura  
 D478,128 S 8/2003 Hussaini et al.  
 D494,168 S 8/2004 Hammond et al.  
 D494,968 S 8/2004 Yonekawa et al.  
 D501,327 S 2/2005 Keigley  
 D507,567 S 7/2005 Yonekawa et al.  
 D517,543 S 3/2006 Nakajima et al.  
 D531,177 S 10/2006 Okanoya et al.  
 D555,666 S 11/2007 Hussaini et al.  
 D559,245 S 1/2008 Iseki  
 D559,247 S 1/2008 Kawase  
 D565,045 S 3/2008 Wu et al.  
 D566,113 S 4/2008 Morooka et al.  
 D570,343 S 6/2008 Yamada  
 D570,344 S 6/2008 Isonaga  
 D574,808 S 8/2008 Shintani  
 D582,873 S 12/2008 Miyata  
 D586,798 S \* 2/2009 Tanaka et al. .... D14/315  
 D589,487 S 3/2009 Park et al.  
 D597,046 S 7/2009 Millora  
 D599,566 S \* 9/2009 Chu ..... D6/308  
 D600,250 S 9/2009 Nagata  
 D602,935 S \* 10/2009 Kettula et al. .... D14/371  
 7,620,425 B2 \* 11/2009 Ju ..... 455/566  
 D614,616 S \* 4/2010 Denhez et al. .... D14/315  
 D621,824 S \* 8/2010 Andre ..... D14/315  
 D633,063 S 2/2011 Hachiya et al.  
 D635,540 S 4/2011 Kim et al.  
 D641,751 S 7/2011 Morton et al.  
 D643,011 S 8/2011 Park et al.  
 D645,040 S 9/2011 Morton et al.  
 D645,041 S 9/2011 Morton et al.  
 8,135,437 B2 3/2012 Okuda  
 D667,827 S \* 9/2012 Park et al. .... D14/374  
 8,266,529 B2 \* 9/2012 Ooi ..... G06F 3/03547  
 715/702

D677,661 S \* 3/2013 Hirano et al. .... D14/374  
 D682,272 S \* 5/2013 Kim et al. .... D14/374  
 8,542,186 B2 \* 9/2013 Alameh ..... G06F 1/1694  
 324/115  
 D692,425 S \* 10/2013 Kubota et al. .... D14/374  
 D692,877 S 11/2013 Zuege  
 D719,566 S 12/2014 Chen et al.  
 D721,075 S 1/2015 Toda et al.  
 D729,238 S 5/2015 Song  
 2005/0083314 A1 4/2005 Shalit et al.  
 2010/0297946 A1 \* 11/2010 Alameh ..... H04M 1/7253  
 455/41.3  
 2012/0062558 A1 3/2012 Lee et al.  
 2012/0206339 A1 8/2012 Dahl  
 2013/0005410 A1 1/2013 Ogatsu  
 2013/0176258 A1 7/2013 Dahl et al.  
 2014/0157206 A1 6/2014 Ovsiannikov et al.  
 2014/0200080 A1 7/2014 Kim  
 2015/0009119 A1 1/2015 Zuccarino et al.  
 2015/0062087 A1 3/2015 Cho et al.

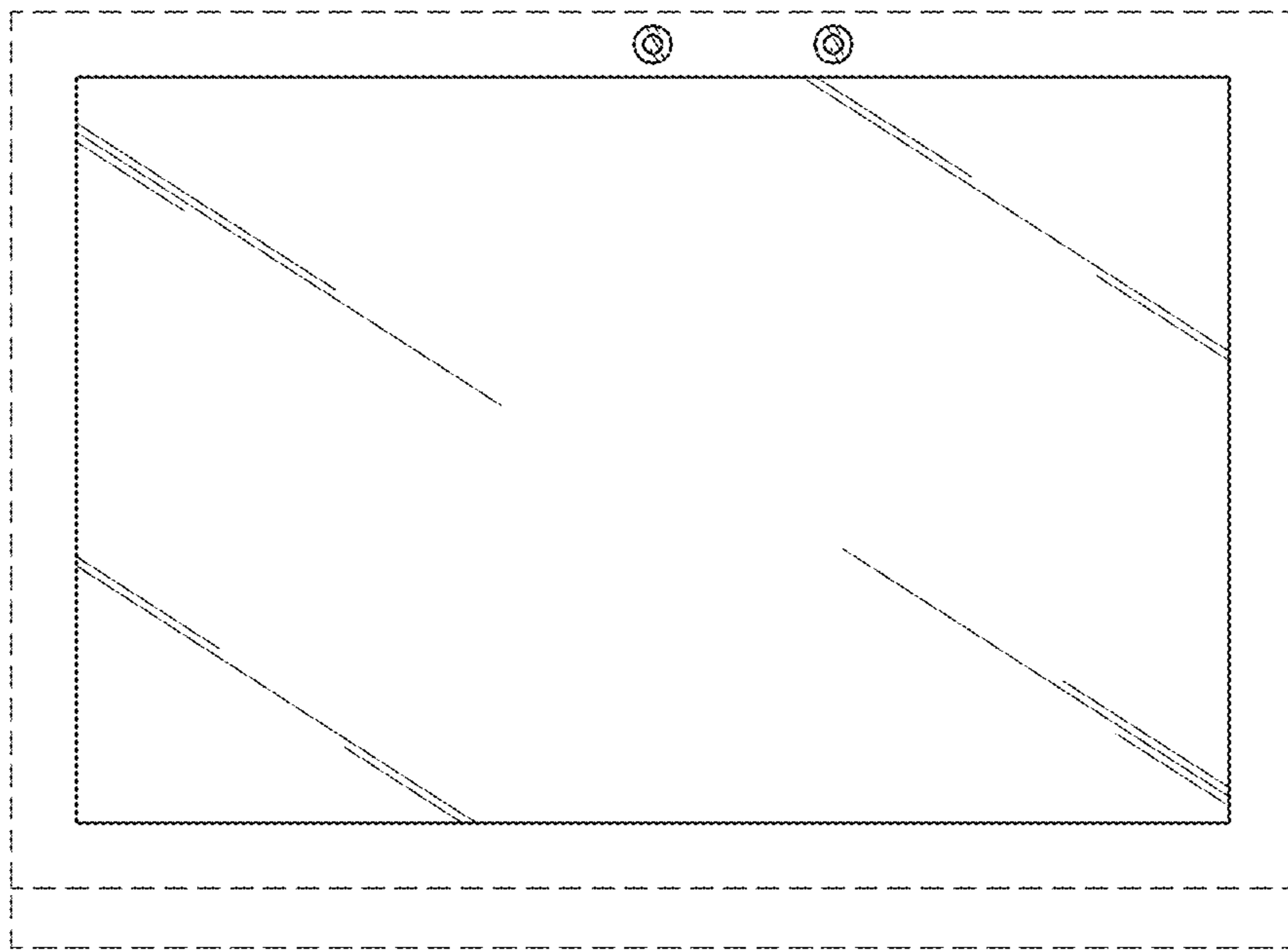
OTHER PUBLICATIONS

Samsung Input Recognition (via Tablet News), available Jul. 14, 2014, [online], [site visited Jun. 25, 2015]. Available from internet, <URL: <http://tablet-news.com/2014/07/14/samsung-files-for-patent-on-brand-new-galaxy-note-feature-pen-input-recognition-with-ultrasonic-sensors/>> (1 page).  
 Specialty Holder, available May 5, 2013, [online], [site visited May 7, 2015]. Available from internet, <URL: <http://www.bantertoys.com.au/categories/trading-cards-collectibles/ultra-pro/ultra-pro-specialty-holders-1-card-screwdown-black-frame>> (1 page).  
 U.S. Office action dated Jul. 7, 2015, for related U.S. Appl. No. 29/480,804, (12 pages).  
 U.S. Office action dated Jul. 17, 2015, for related U.S. Appl. No. 29/480,783, (12 pages).

\* cited by examiner

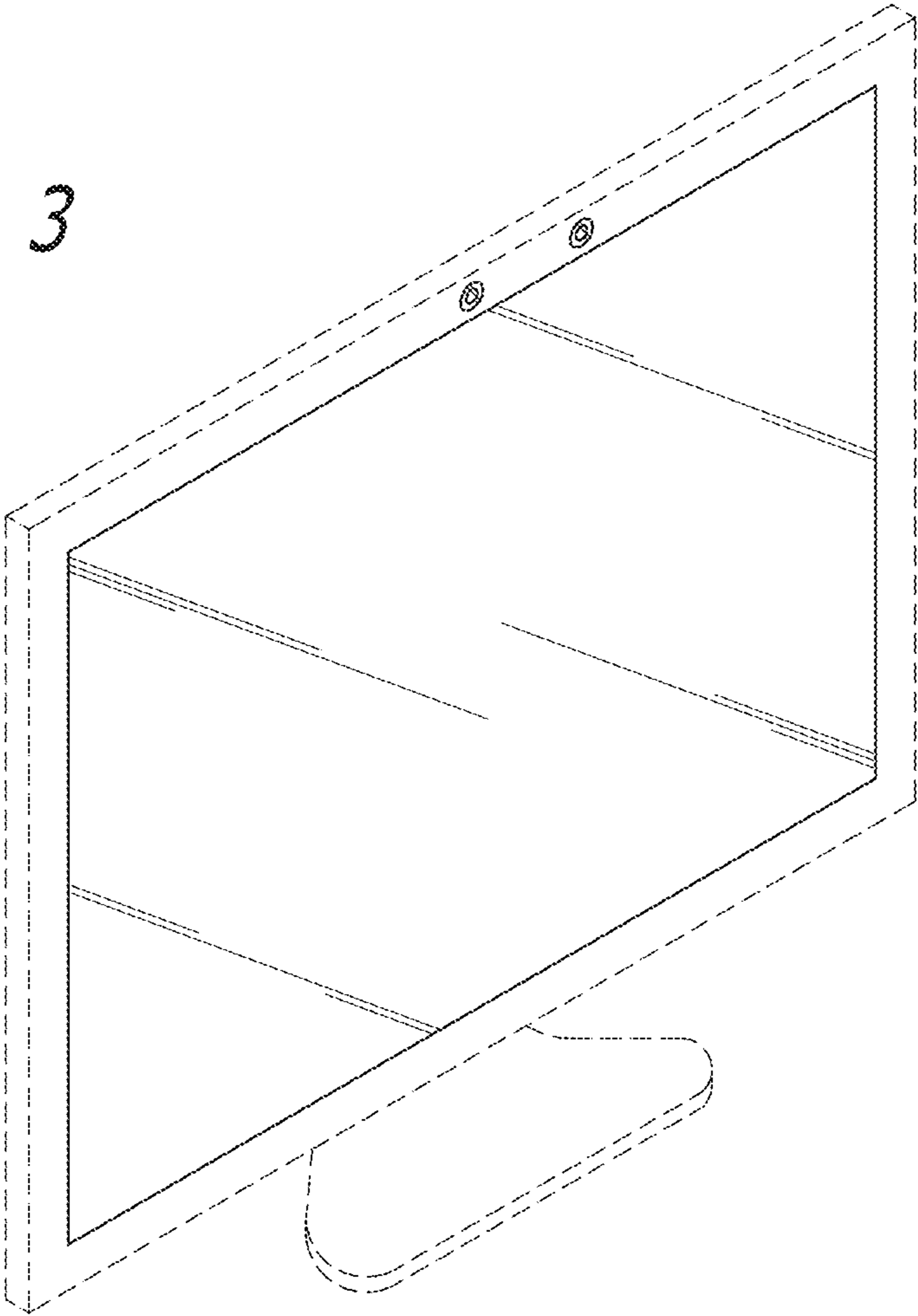


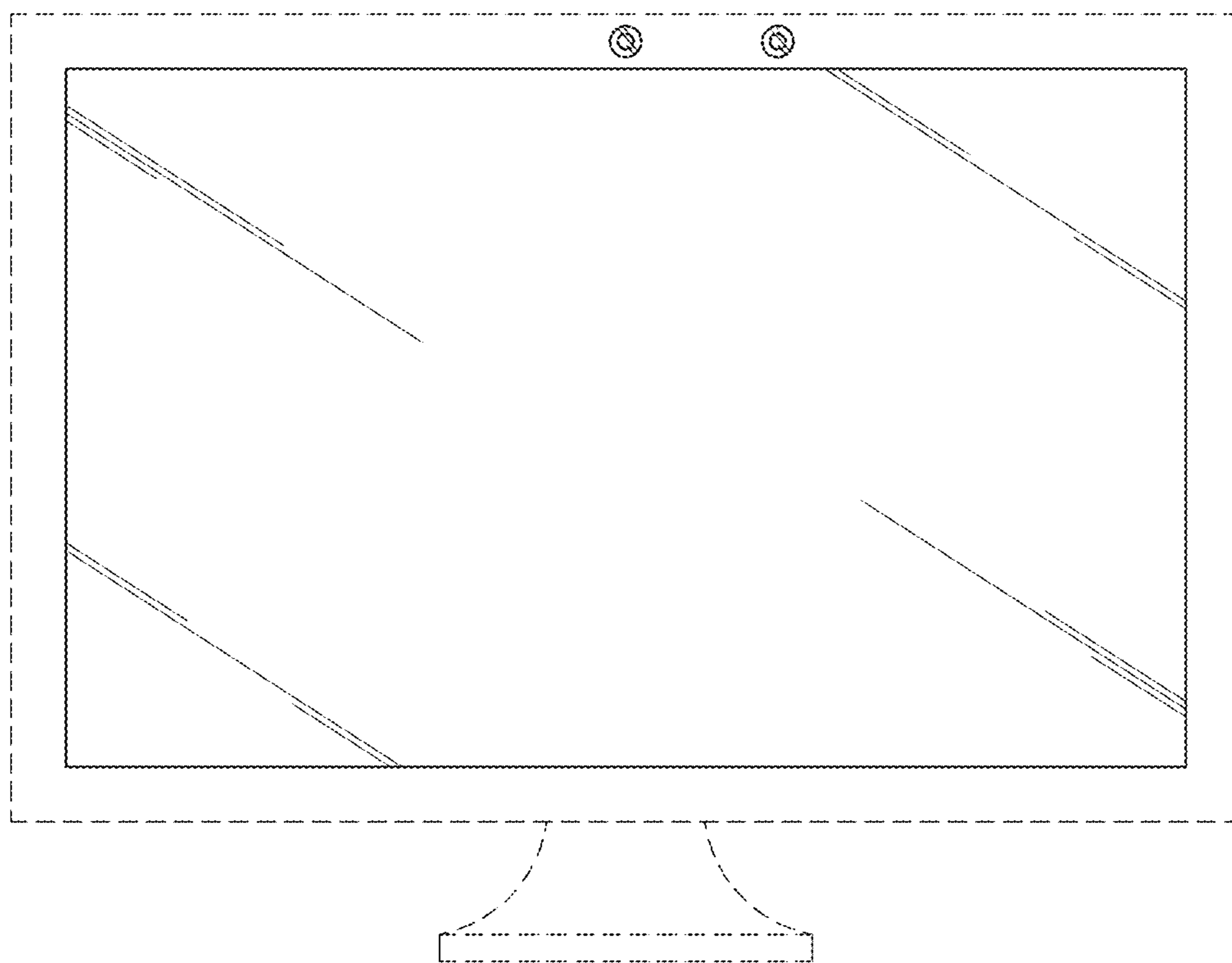
*FIG. 1*



*FIG. 2*

*FIG. 3*





*FIG. 4*

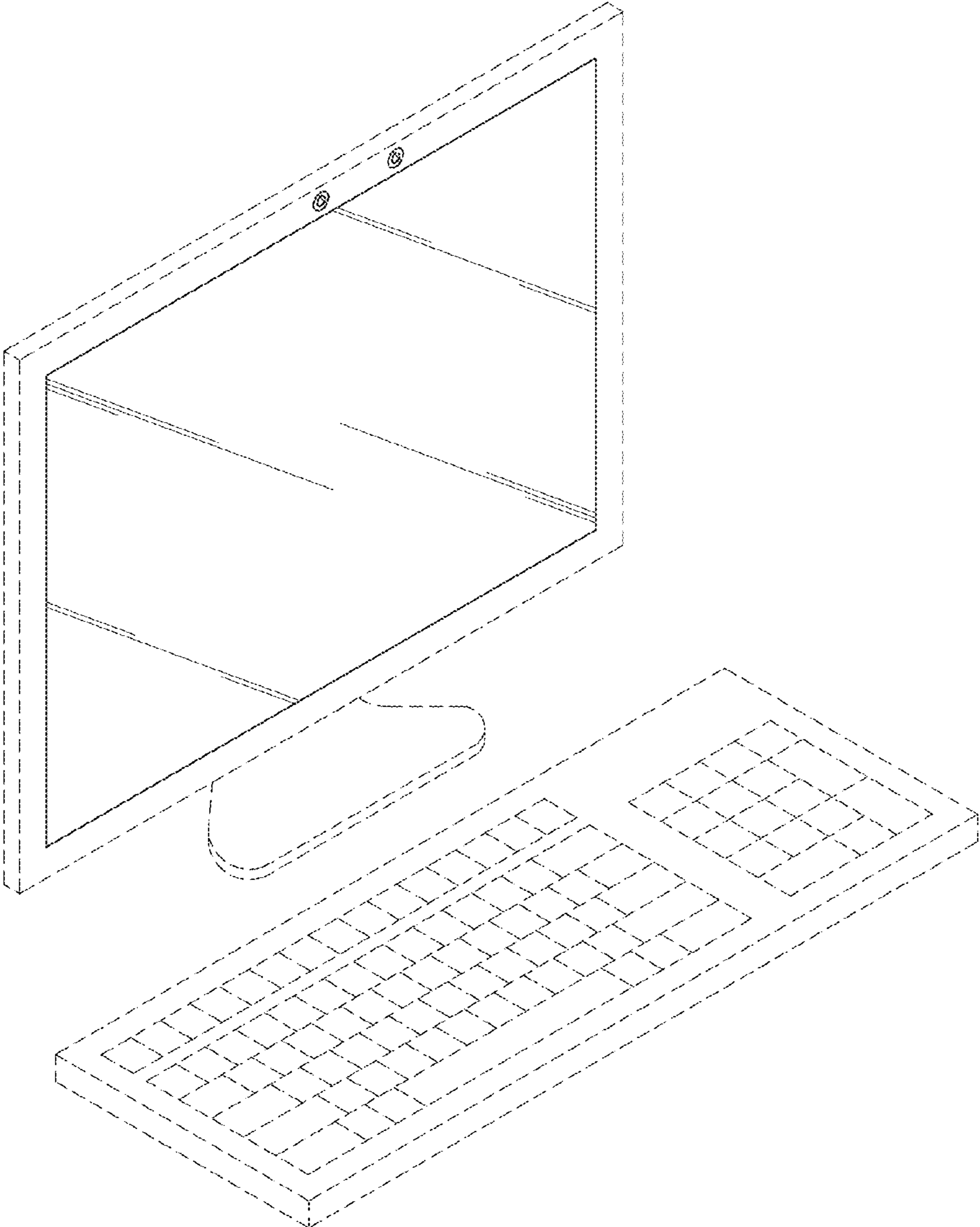


FIG. 5

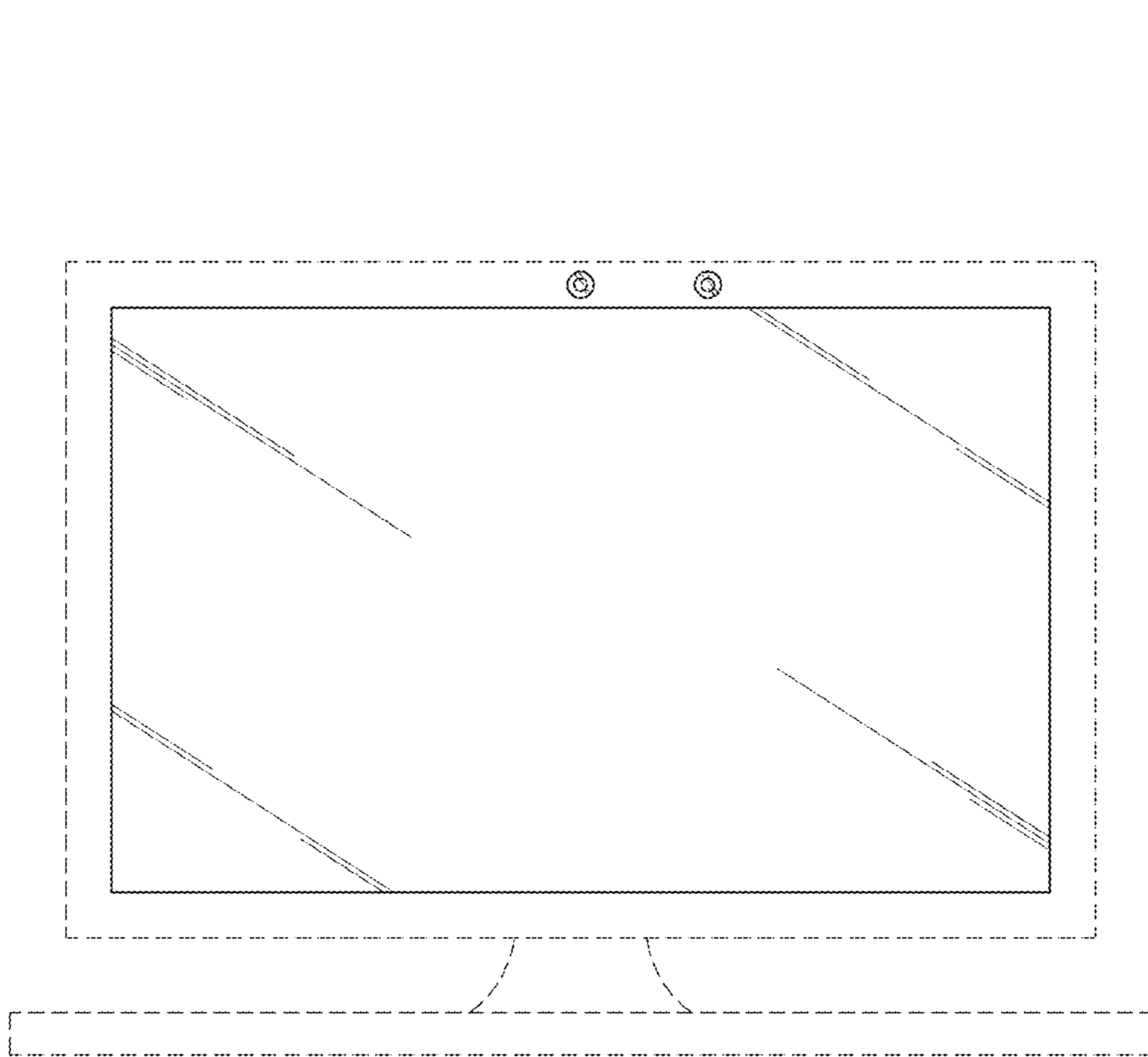
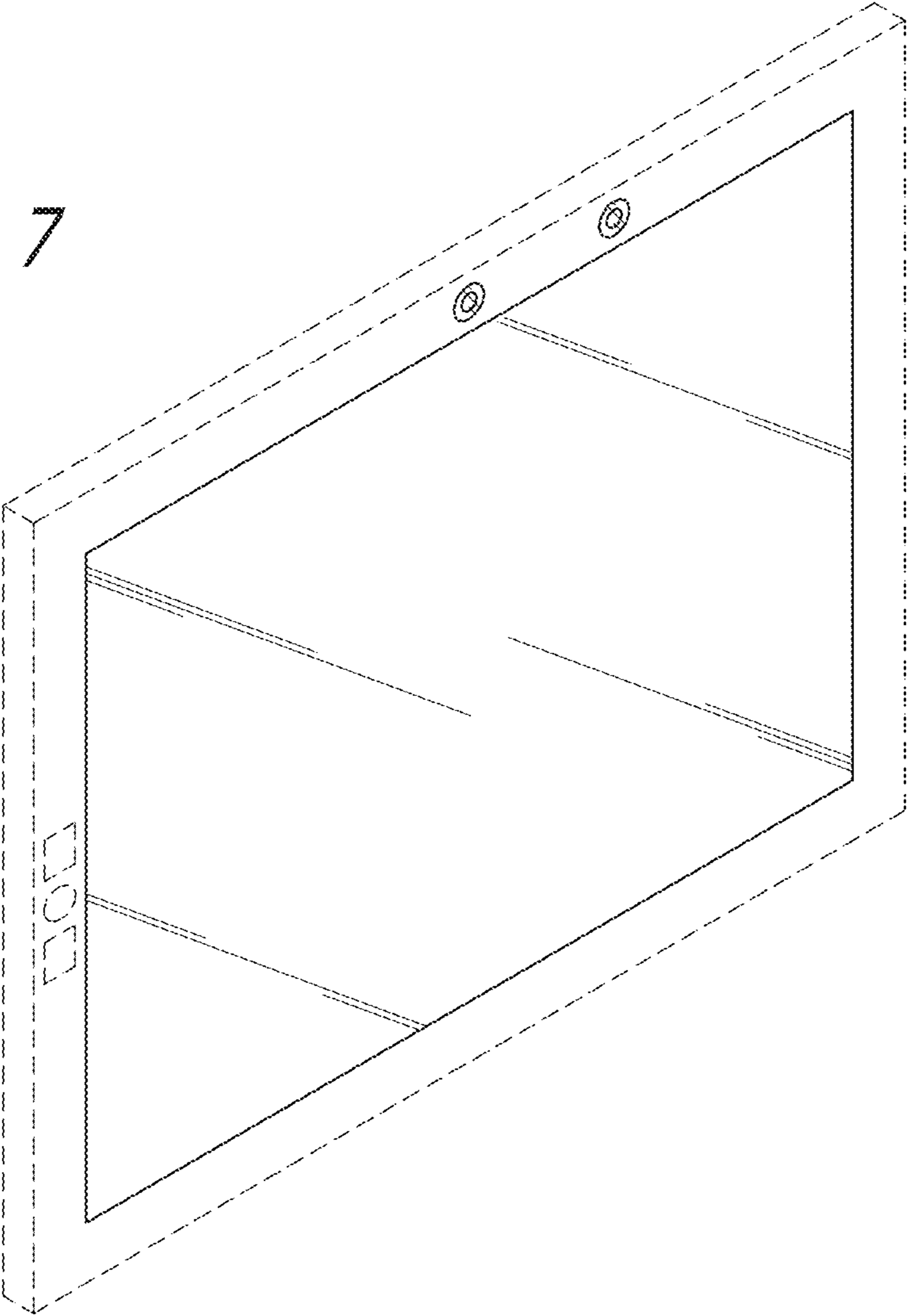
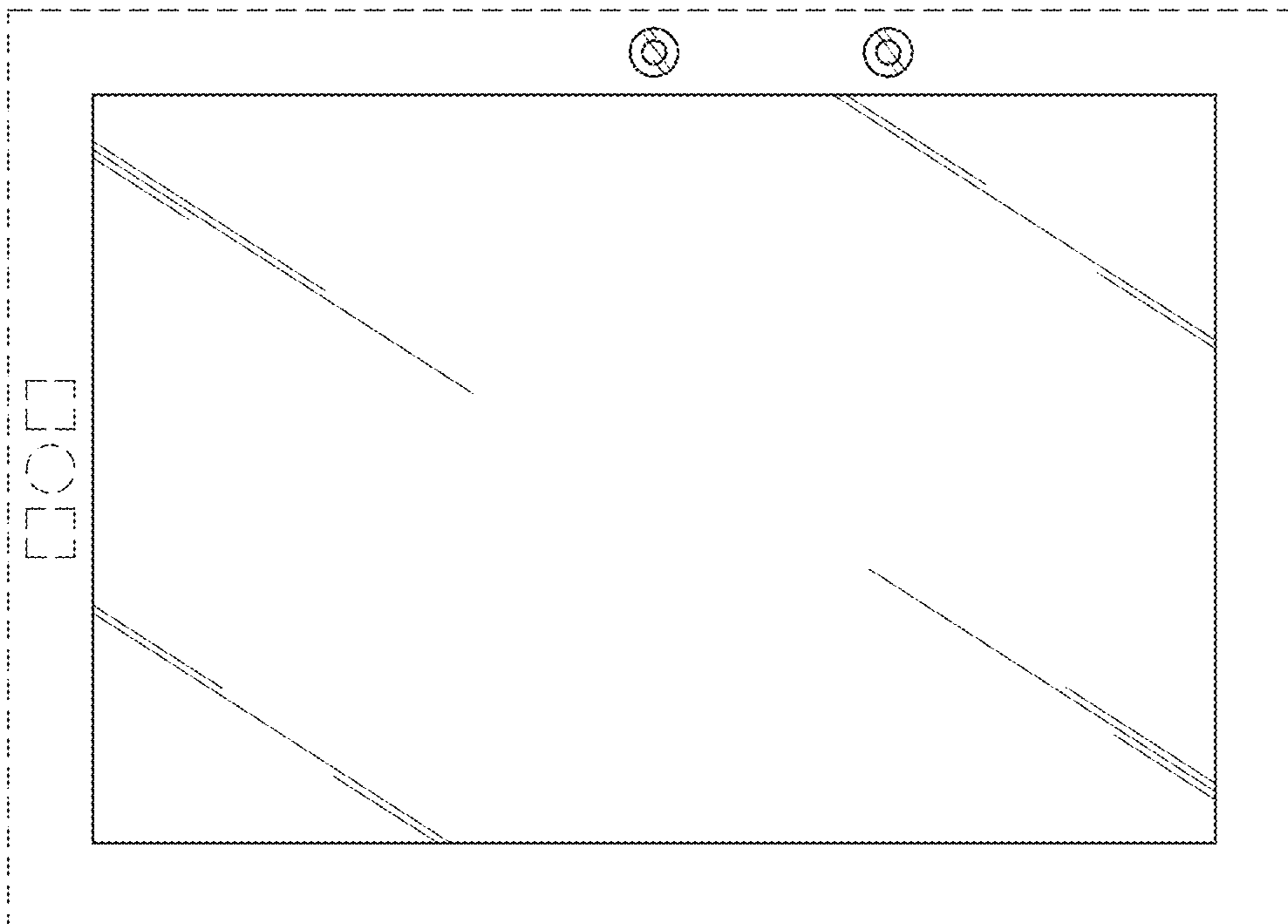


FIG. 6



FIG. 7





*FIG. 8*