



US00D752044S

(12) **United States Design Patent**
Akana et al.

(10) **Patent No.:** **US D752,044 S**
(45) **Date of Patent:** **** Mar. 22, 2016**

(54) **HOUSING FOR AN ELECTRONIC DEVICE**

(71) Applicant: **Apple Inc.**, Cupertino, CA (US)

(72) Inventors: **Jody Akana**, San Francisco, CA (US); **Bartley K. Andre**, Palo Alto, CA (US); **Shota Aoyagi**, San Francisco, CA (US); **Anthony Michael Ashcroft**, San Francisco, CA (US); **Jeremy Bataillou**, San Francisco, CA (US); **Brad G. Boozer**, Cupertino, CA (US); **Makiko Kawamura Brzezinski**, San Jose, CA (US); **Tyler Scott Bushnell**, Mountain View, CA (US); **Daniel J. Coster**, San Francisco, CA (US); **Daniele De Iuliis**, San Francisco, CA (US); **Colin Ely**, Cupertino, CA (US); **M. Evans Hankey**, San Francisco, CA (US); **Phillip M. Hobson**, Menlo Park, CA (US); **Julian Hoenig**, San Francisco, CA (US); **Richard P. Howarth**, San Francisco, CA (US); **Jonathan P. Ive**, San Francisco, CA (US); **Eric Steven Jol**, San Jose, CA (US); **Benjamin Jordan Kallman**, Menlo Park, CA (US); **Duncan Robert Kerr**, San Francisco, CA (US); **David Nazzaro**, Groveland, MA (US); **Trevor Jordan Ness**, San Francisco, CA (US); **Marc A. Newson**, London (GB); **David Pelletier**, Cupertino, CA (US); **Matthew Dean Rohrbach**, San Francisco, CA (US); **Fletcher Rothkopf**, Los Altos, CA (US); **Peter Russell-Clarke**, San Francisco, CA (US); **Jason Christopher Sauers**, Cupertino, CA (US); **Benjamin Andrew Shaffer**, San Jose, CA (US); **Anna-Katrina Shedletsky**, Mountain View, CA (US); **Mikael Silvano**, San Francisco, CA (US); **Christopher J. Stringer**, Woodside, CA (US); **Samuel Bruce Weiss**, Los Altos Hills, CA (US); **Christopher M. Werner**, San Jose, CA (US); **Eugene Antony Whang**, San Francisco, CA (US); **Michael Benjamin**

Wittenberg, Sunnyvale, CA (US); **Stephen Paul Zadesky**, Portola Valley, CA (US); **Rico Zörkendörfer**, San Francisco, CA (US)

(73) Assignee: **Apple Inc.**, Cupertino, CA (US)

(**) Term: **14 Years**

(21) Appl. No.: **29/499,089**

(22) Filed: **Aug. 11, 2014**

(51) **LOC (10) Cl.** **14-02**

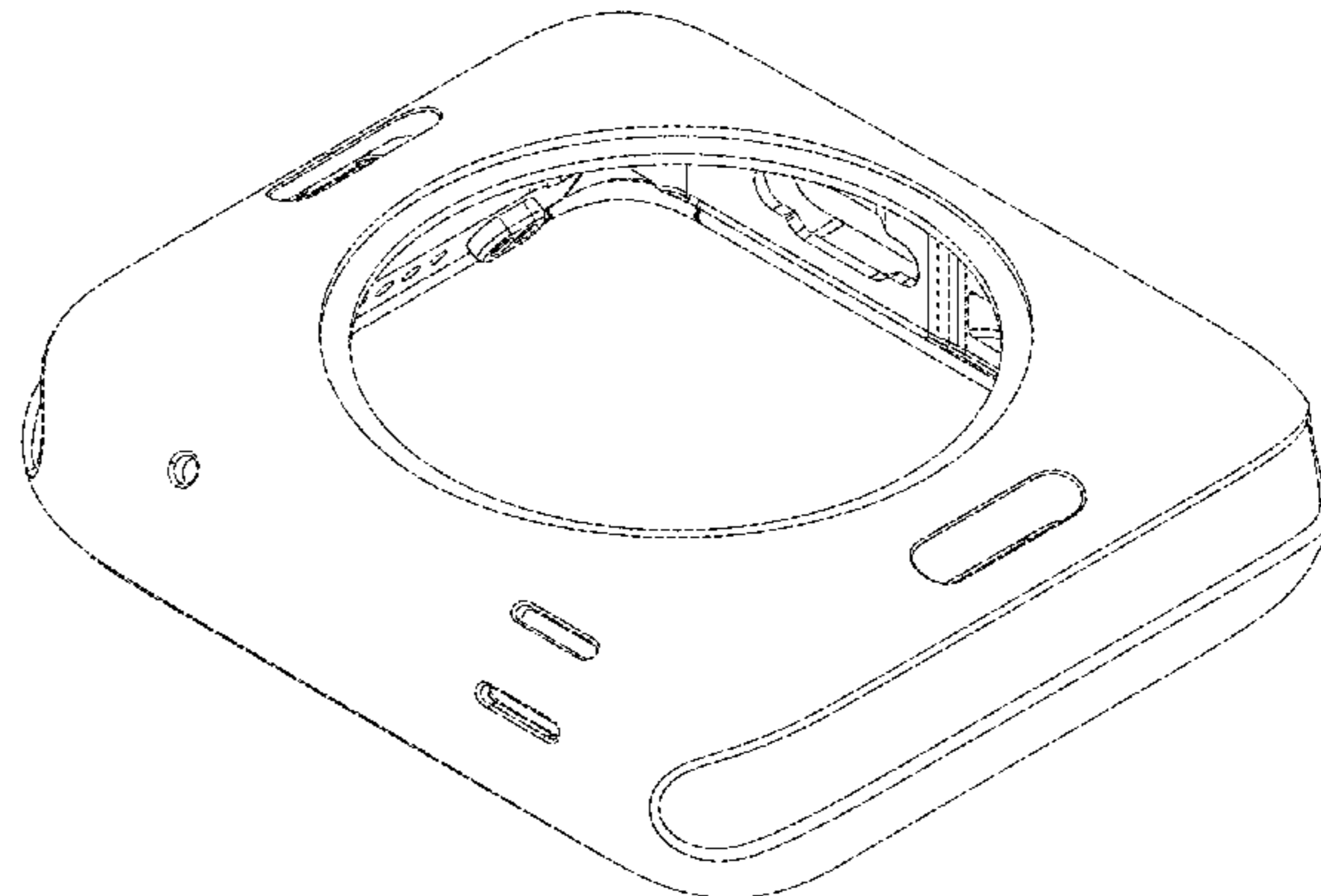
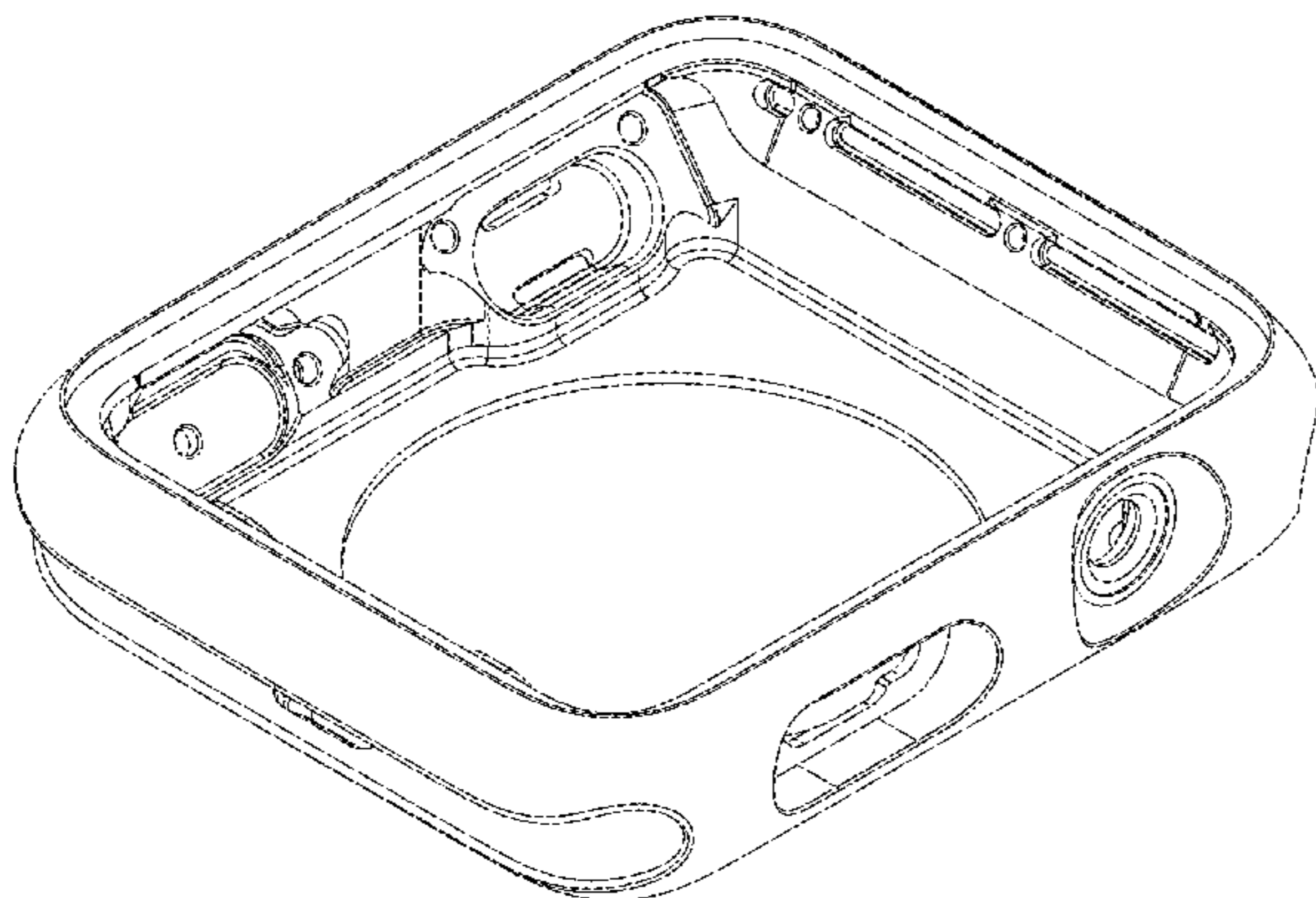
(52) **U.S. Cl.**
USPC **D14/344**

(58) **Field of Classification Search**
USPC D14/341-347, 371, 426, 427; D11/3; D10/30-39, 70, 128
CPC A61B 2017/60442; A61B 2017/6824; A61B 5/681; A61B 5/02438; A61B 5/1112; A61B 5/0022; H04B 1/385; A44C 5/14; A44C 5/12
See application file for complete search history.

(56) **References Cited**

U.S. PATENT DOCUMENTS

3,640,065	A	2/1972	Lederrey et al.	
D287,471	S	12/1986	Sato et al.	
D342,571	S	* 12/1993	Givens, Sr.	D24/186
5,386,933	A	2/1995	Greene et al.	
D424,035	S	* 5/2000	Steiner	D14/344
D439,172	S	3/2001	Brzezinski	
6,655,831	B1	12/2003	Ruffieux	
D496,589	S	9/2004	Perrenoud	
6,970,157	B2	11/2005	Siddeeq	
D513,195	S	12/2005	Gruosi	
7,004,469	B2	2/2006	von Goeben	
D528,439	S	9/2006	Burton	
D528,928	S	9/2006	Burton	
7,106,197	B2	9/2006	Gaiotto et al.	
D531,524	S	* 11/2006	Behling	D10/38
D558,227	S	12/2007	Cho et al.	
D572,266	S	7/2008	Anderson et al.	
D574,735	S	8/2008	Landman et al.	
D578,922	S	10/2008	Hoshino	
D584,170	S	1/2009	Morrison	



D586,823 S	2/2009	Anderson et al.	
D589,375 S	3/2009	Tang	
D596,610 S	7/2009	Hou	
D616,417 S	5/2010	Liao	
7,708,457 B2	5/2010	Girardin et al.	
D637,094 S	5/2011	Cobbett et al.	
D637,918 S	5/2011	Cobbett et al.	
D638,324 S *	5/2011	Tang	D10/128
7,946,758 B2 *	5/2011	Mooring	G04B 37/005 368/276
D647,107 S	10/2011	Akana et al.	
D650,706 S	12/2011	Zanella et al.	
D666,503 S	9/2012	Bulgari	
D681,483 S	5/2013	Biegert et al.	
D688,582 S *	8/2013	Wilson	D10/128
D688,967 S *	9/2013	Wilson	D10/128
D699,701 S	2/2014	Kim	
D729,681 S *	5/2015	Lee	D11/3
D735,586 S *	8/2015	Stegmann	D10/30
D736,103 S *	8/2015	Behling	D10/30
2007/0270214 A1 *	11/2007	Bentley	A61B 5/1122 463/30
2010/0061191 A1	3/2010	Chen	
2013/0222139 A1 *	8/2013	Gouge	A61B 5/01 340/573.1
2015/0164189 A1 *	6/2015	Wilson	A44C 5/14 224/164

FOREIGN PATENT DOCUMENTS

DE	10229050 C1	6/2003
EM	001359301-0002	6/2013
EP	1098231 A1	5/2001
HK	0501949.8	12/2005
HK	1001605.7	12/2010
JP	D1095230	1/2001
JP	D1119440	8/2001
JP	D1127245	11/2001
JP	D1127493	11/2001
JP	D1264904	3/2006
JP	D1281287	9/2006
JP	D1302423	6/2007
JP	D1350052	2/2009
JP	D1368561	8/2009
JP	D1433113	2/2012
JP	D1448195	8/2012
JP	D1462747	2/2013
JP	D1466391	4/2013
JP	D1477307	8/2013
JP	D1503504	7/2014
JP	D1511747	11/2014
JP	D1518040	2/2015
WO	DM/066491-004	3/2005
WO	DM/072215	9/2009
WO	DM/077452-004	6/2011
WO	2014135709 A2	9/2014

OTHER PUBLICATIONS

Alvarez, Edgar, "Basis Peak to get its smartwatch-like features in December," engadget.com, <<http://www.engadget.com/2014/11/20/basis-peak-new-features/>>, dated Nov. 20, 2014, accessed Dec. 15, 2014.

Cool Material, "Braun Square Digital Watch," <<http://web.archive.org/web/20111125033014/http://coolmaterial.com/style/braun-square-digital-watch/>>, dated Nov. 25, 2011, accessed Dec. 18, 2014.

Emily, "Nixon—The Newton Digital," <<http://www.freshnessmag.com/2009/09/08/nixon-the-newton-digital/>>, freshnessmag.com, dated Sep. 8, 2009, accessed Oct. 9, 2014.

Fitbit, "Fitbit Surge™ Fitness Super Watch" <<https://www.fitbit.com/surge>>, accessed Dec. 15, 2014.

geekbuying.com, "Makibes unisex red led digital wrist watch with square case silicone watchband—white," <<http://www.geekbuying.com/item/Unisex-Red-LED-Digital-Wrist-Watch-with-Square-Case-Silicone-Watchband---White-326443.html>>, accessed Oct. 9, 2014.

Hodinkee.com, "Apple iPod Nano Now Available With Mickey Mouse Dial, Also Cheesy, Mechanically Inaccurate Open-Worked Dial," <<http://web.archive.org/web/20111006043916/http://www.hodinkee.com/blog/2011/10/5/apple-ipod-nano-now-available-with-mickey-mouse-dial-also-ch.html>>, dated Oct. 6, 2011, accessed Dec. 18, 2014.

Homego, "M6 Silver Smart Watch Cell Phone 1.54 inch Bluetooth 3.0 Dialer Outdoor Sports Pedometer," amazon.com, <<http://www.amazon.com/Silver-Bluetooth-Dialer-Outdoor-Pedometer/dp/B00MQTBGK6>>, accessed Dec. 15, 2014.

Ikepod, "Original Ikepod Watch With GMT—Marc Newson Design," Watchbox.be, <<http://www.watchbox.be/prod/Other-Watches/Marc%20Newson%20Design/item7165.htm#VJLm2fAo5D8>>, accessed Dec. 17, 2014.

LG Life's Good, "LG G Watch (W100)," <<http://www.lg.com/us/smart-watches/lg-W100-g-watch>>, accessed Dec. 18, 2014.

Metawatch, "Frame—Black (MW3005)," <<http://meta.watch/collections/smartwatch-all/products/frame-ss-black-leather>>, accessed Dec. 15, 2014.

Omate, "Omate TrueSmart: Water-resistant standalone Smartwatch 2.0," <<http://www.kickstarter.com/projects/omate/omate-truesmart-water-resistant-standalone-smartwa>>, dated Aug. 21, 2013, accessed Oct. 8, 2014.

Omate, "The TrueSmart™ is the world's first standalone smartwatch 2.0 running on top of Android and OUI 2.0," <<http://www.omate.com/product.html>>, accessed Dec. 15, 2014.

Pebble, "Pebble Smartwatch," getpebble.com, <<https://getpebble.com/checkout>>, accessed Dec. 15, 2014.

Samsung, "Samsung Gear™ 2 Charcoal Black SM-R3800VSAXAR," <<http://www.samsung.com/us/mobile/wearable-tech/SM-R3800VSAXAR>>, accessed Dec. 15, 2014.

Samsung, "Samsung Gear S™, (Sprint), Black SM-R750PZKASPR," <<http://www.samsung.com/us/mobile/wearable-tech/SM-R750PZKASPR>>, accessed Dec. 15, 2014.

Samsung, "Galaxy Gear™ Live, Black SM-R3820ZKAXAR," <<http://www.samsung.com/us/mobile/wearable-tech/SM-R3820ZKAXAR>>, accessed Dec. 15, 2014.

Sony, "SmartWatch 3 SWR50," <<http://www.sonymobile.com/us/products/smartwear/smartwatch-3-swr50/>>, accessed Dec. 15, 2014.

Sony, "SmartWatch," <<http://www.sonymobile.com/us/products/accessories/smartwatch/>>, accessed Dec. 15, 2014.

Stables, James, "Clevercare smartwatch aims to help Alzheimer's suffers and carers: Revamped Sony SmartWatch 2 designed for users that need care," Wearable News, <<http://www.wearable.com/wearable-tech/clevercare-smartwatch-aims-to-help-alzheimers-suffers-and-carers-585>>, dated Dec. 15, 2014.

Team Luxe, "Collector's Edition: Hermes Carre H Watch," Luxpresso, <<http://luxpresso.com/news-couture/collectors-edition-hermes-carre-h-watch/2814>>, dated Jan. 10, 2011, accessed Dec. 18, 2014.

Ted Baker, "Ted Baker Men's TE1054 Time Flies Contemporary Square Digital Case Watch," <<http://www.amazon.com/Ted-Baker-TE1054-Contemporary-Digital/dp/B0045CRTYO%3FSubscriptionId%3DAKIAJ3U4YRIBWCGGKZ2A%26tag%3DFrases-365-20%26linkCode%3Dsp1%26camp%3D2025%26creative%3D165953%26creativeASIN%3DB0045CRTYO>>, accessed Oct. 9, 2014.

Velazco, Chris, "ASUS ZenWatch review: subtle and stylish, with a few shortcomings," Engadget.com, <<http://www.engadget.com/2014/12/11/asus-zenwatch-review/>>, dated Dec. 11, 2014, accessed Dec. 15, 2014.

Watches Infoniac.com, "Hermes Carre H Watch—Extremely Contemporary Design," <<http://watches.infoniac.com/carre-h-watch-hermes.html>>, dated Aug. 13, 2010, accessed Dec. 18, 2014.

Watchismo, "Braun BN0042 Black Date Leather," <<http://web.archive.org/web/20130815073830/http://www.watchismo.com/braun-bn0042bkbk.aspx>>, dated Aug. 15, 2013, accessed Dec. 18, 2014.

Kahn, Jordan, "Alleged leak of iWatch component drawings & specs surface ahead of tomorrow's unveiling," 9TO5Mac.com, <<http://9to5mac.com/2014/09/08/alleged-leak-of-iwatch-component-drawings-specs-surface-ahead-of-tomorrows-unveiling/>>, dated Sep. 8, 2014, accessed Feb. 13, 2015.

* cited by examiner

Primary Examiner — Mary Ann Calabrese
Assistant Examiner — Jennifer L Rempfer
(74) *Attorney, Agent, or Firm* — Sterne, Kessler, Gold-
stein & Fox P.L.L.C.

(57) **CLAIM**
The ornamental design for a housing for an electronic device,
as shown and described.

DESCRIPTION

FIG. 1 is a front perspective view of housing for an electronic
device showing our new design;

FIG. 2 is a rear perspective view thereof;

FIG. 3 is a front view thereof;

FIG. 4 is a rear view thereof;

FIG. 5 is a left side view thereof;

FIG. 6 is a right side view thereof;

FIG. 7 is a top view thereof; and,

FIG. 8 is a bottom view thereof.

1 Claim, 6 Drawing Sheets

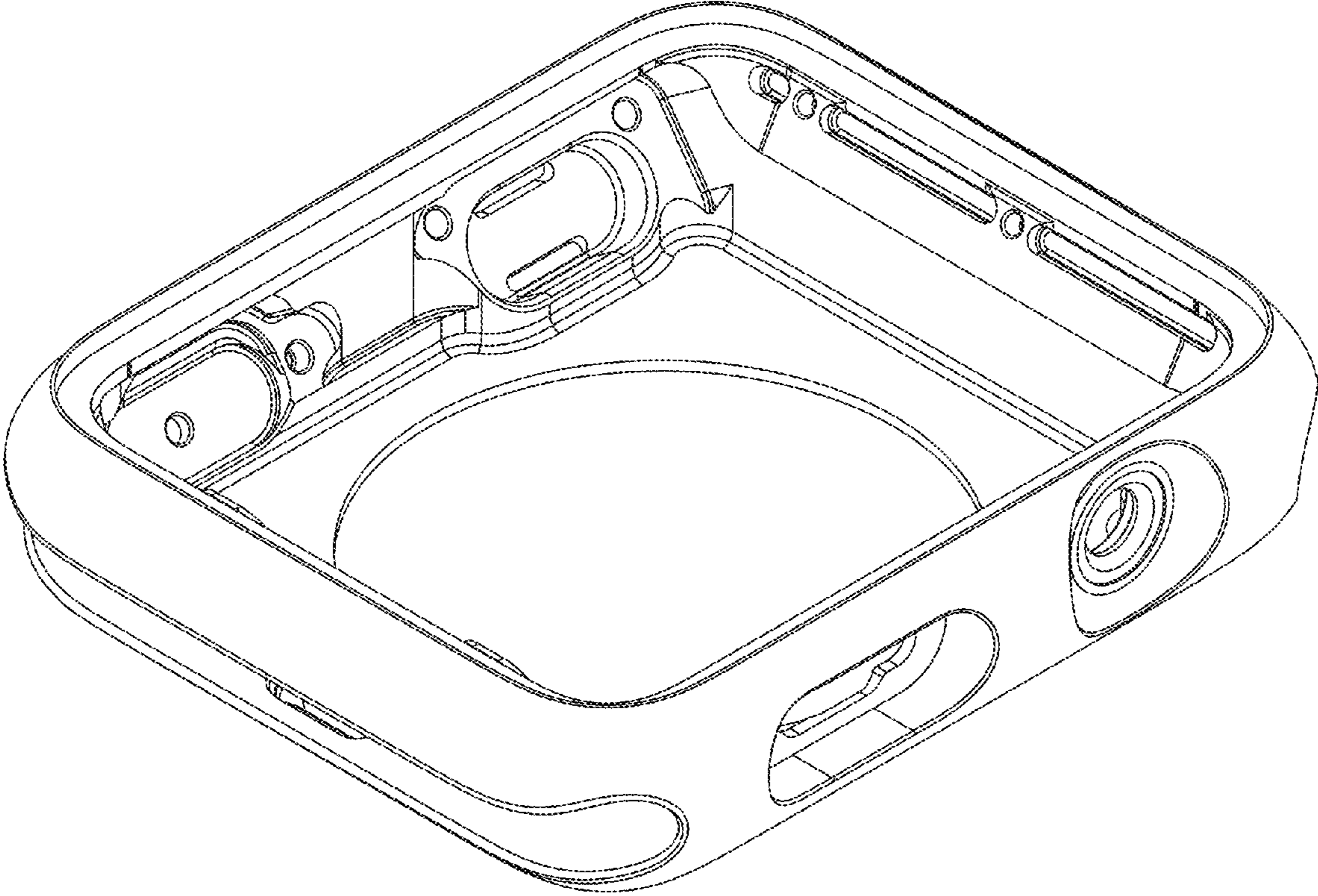


FIG. 1

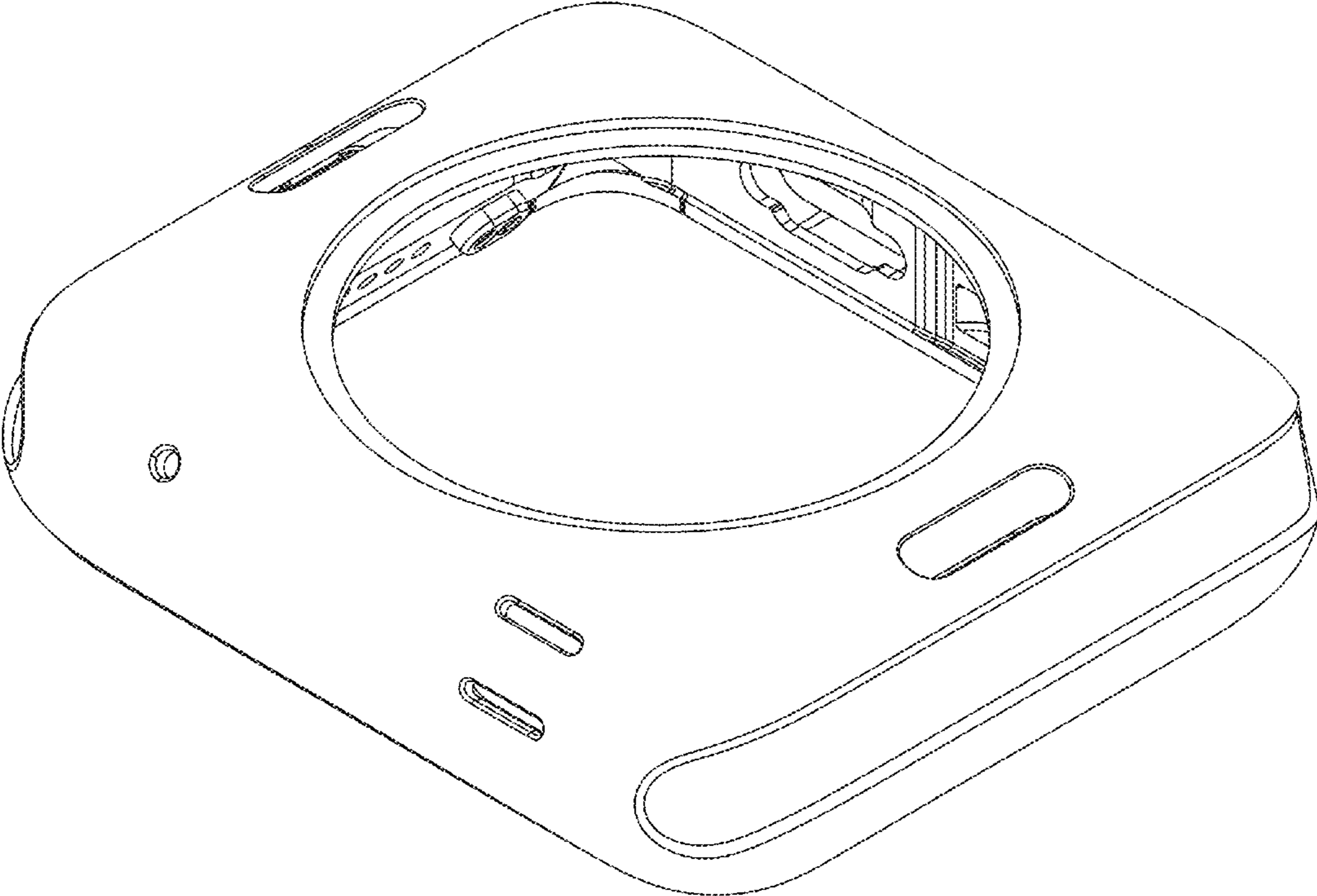


FIG. 2

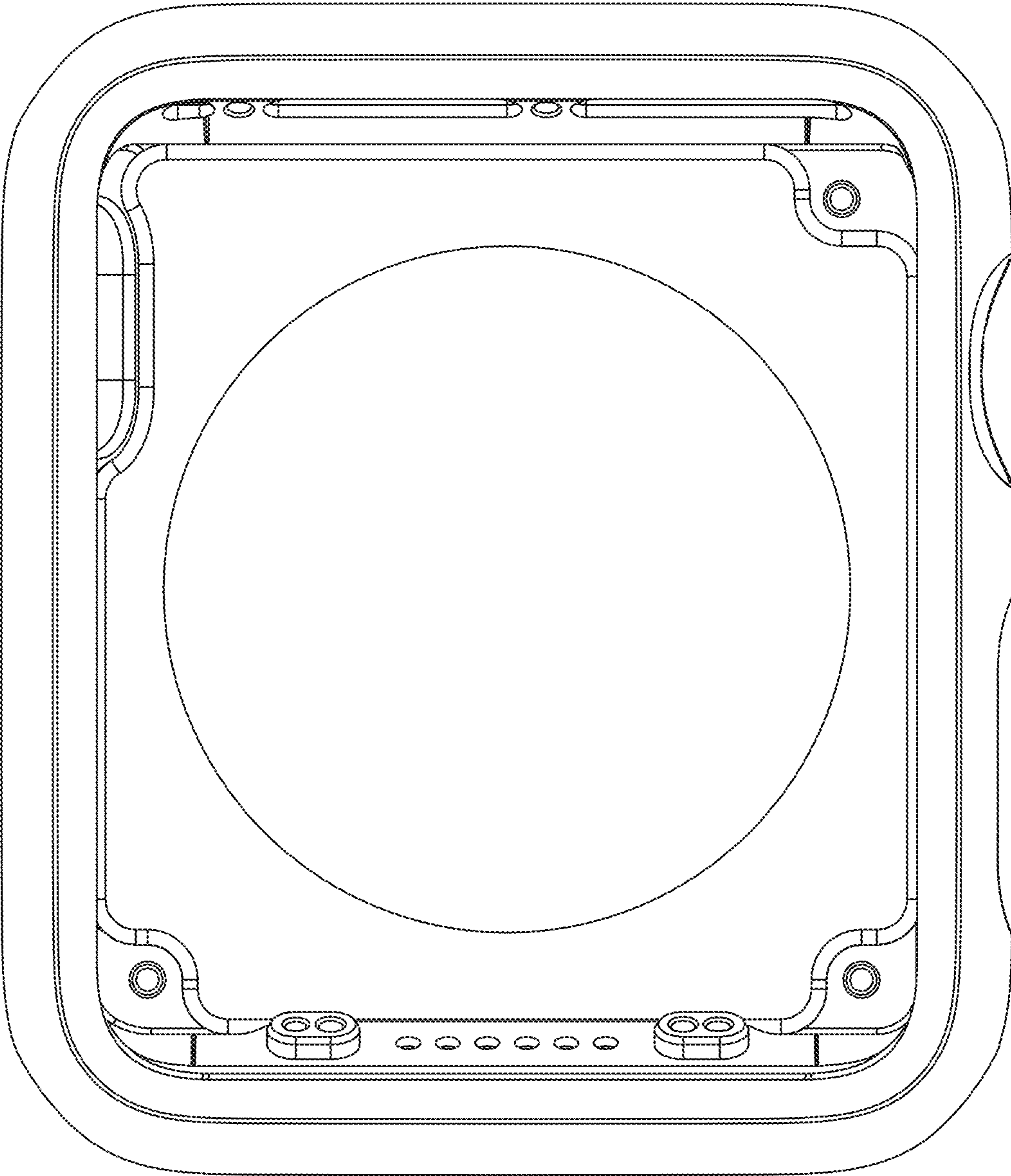


FIG. 3

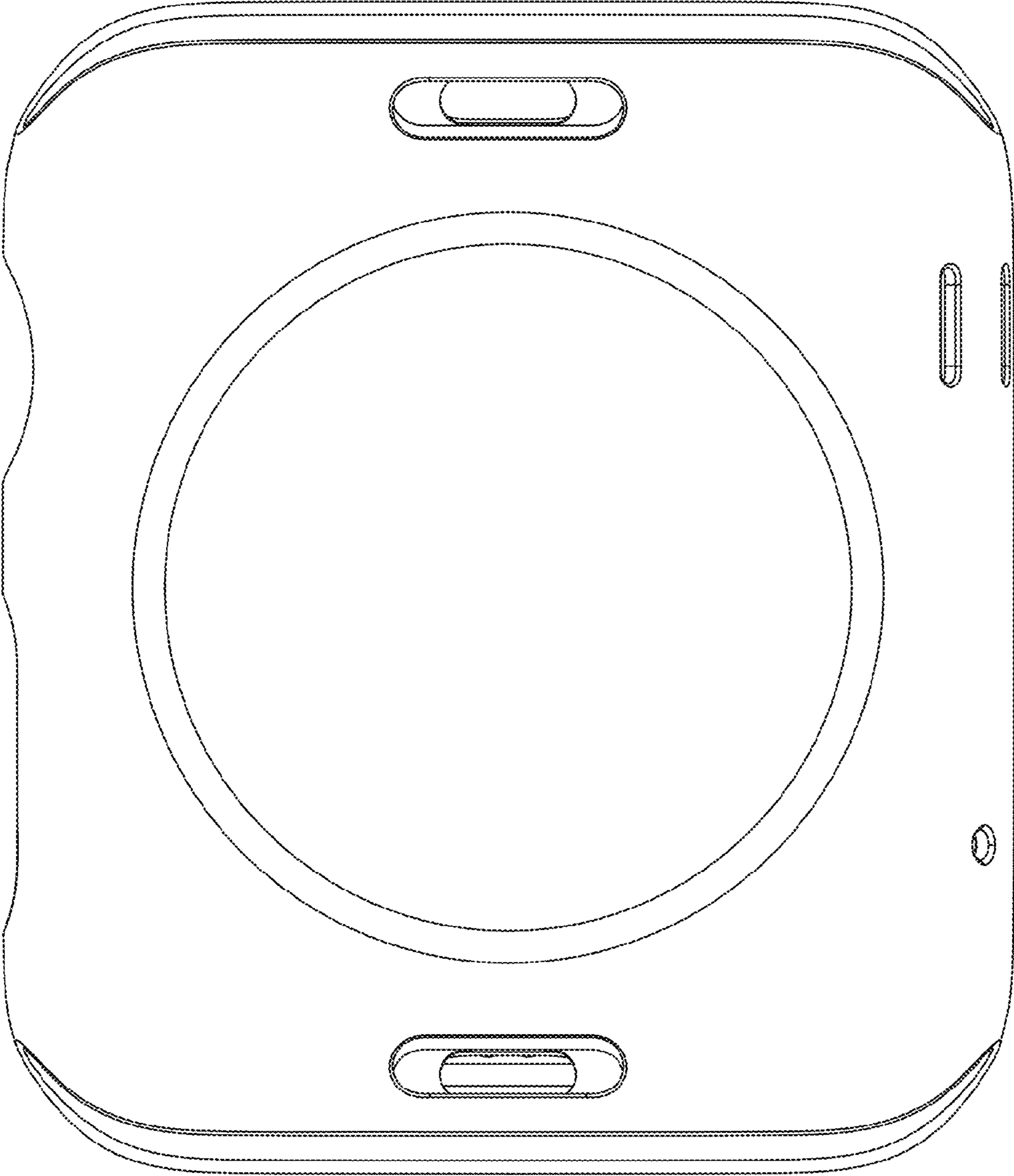


FIG. 4

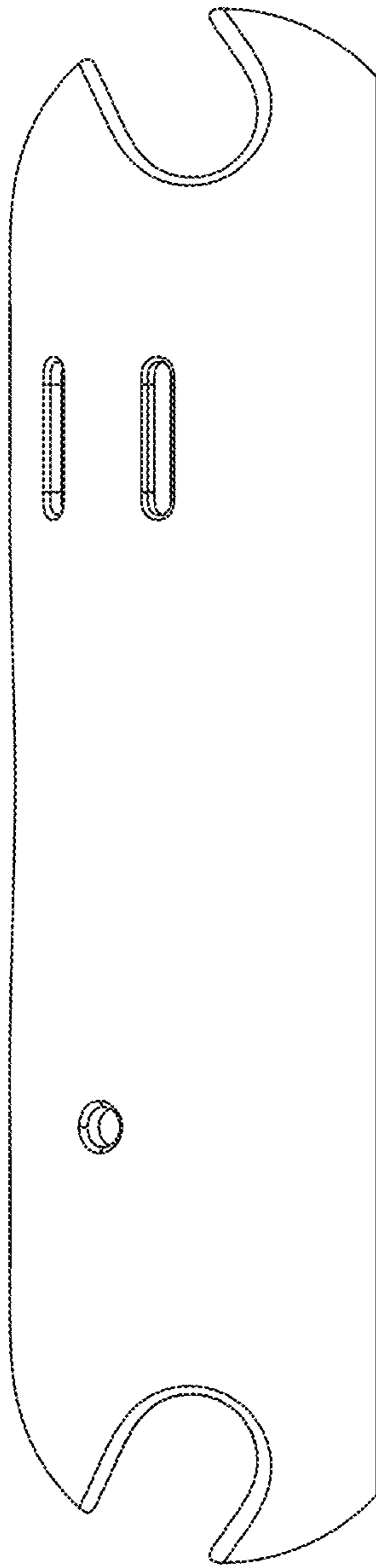


FIG. 5

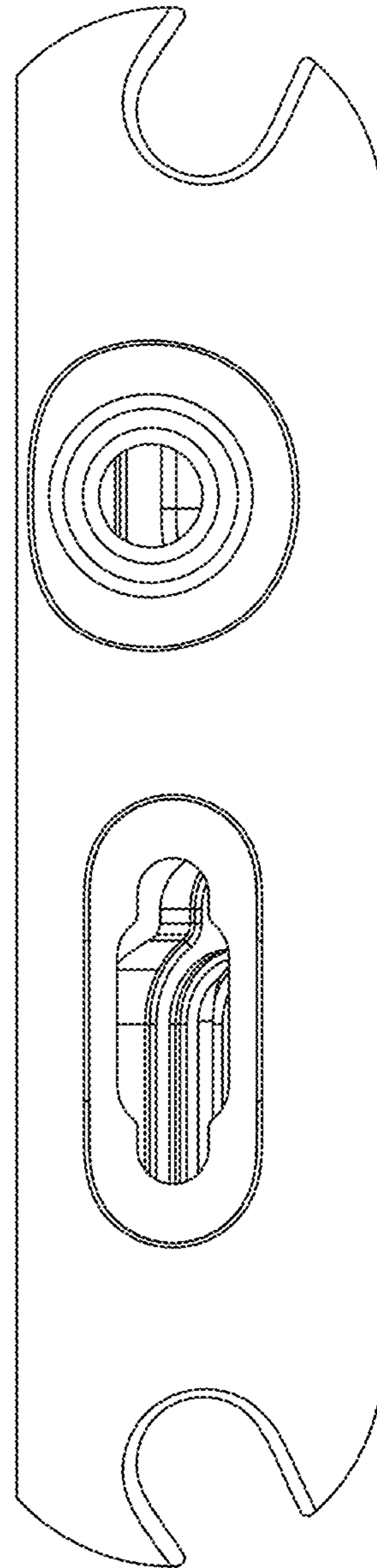


FIG. 6

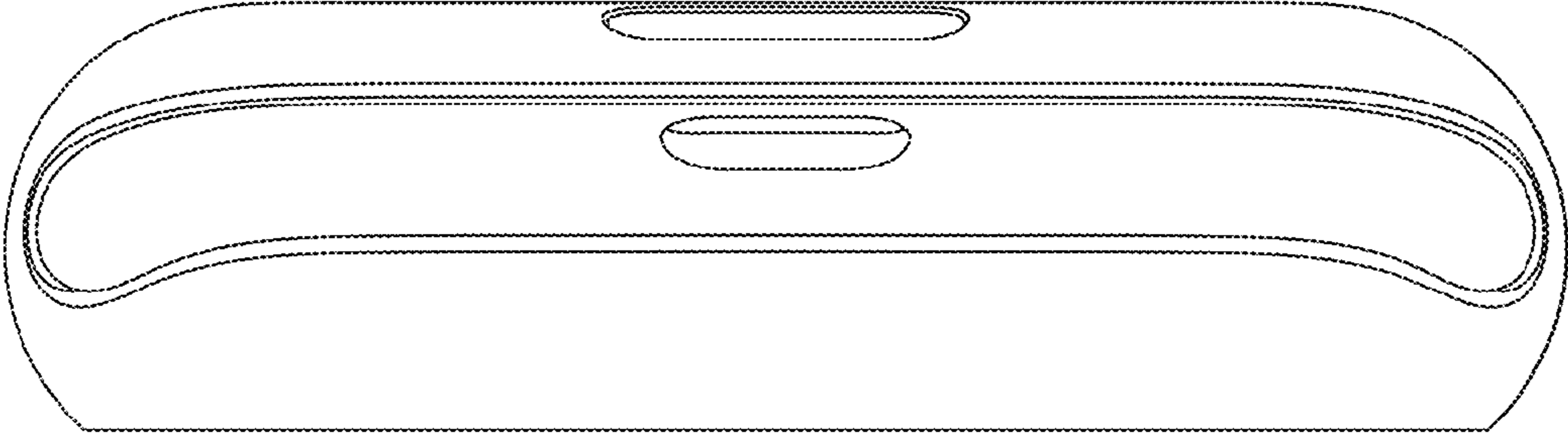


FIG. 7

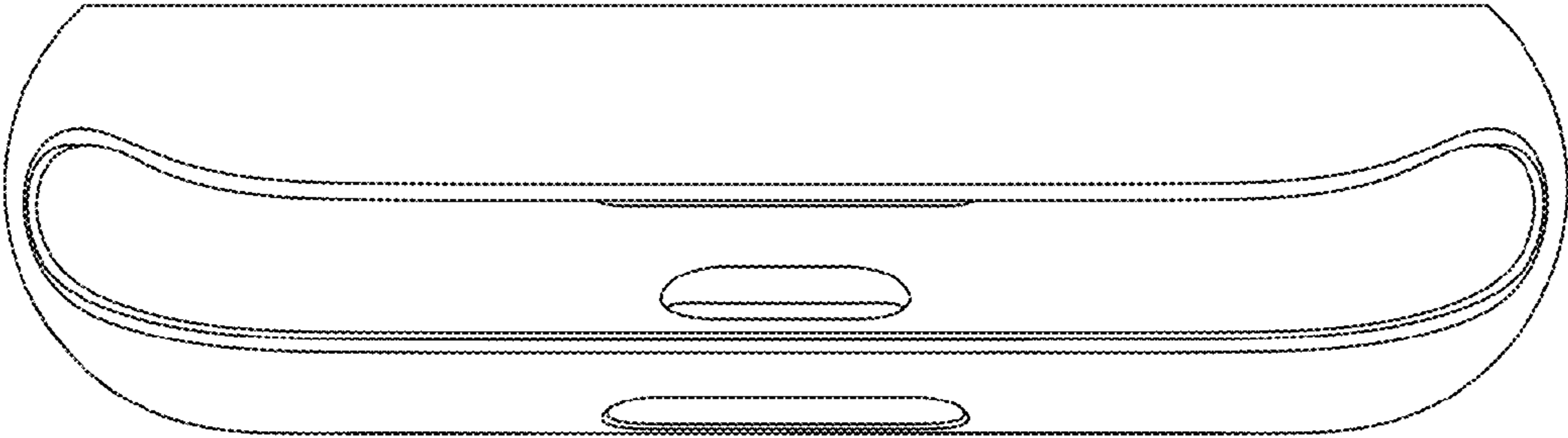


FIG. 8