



US00D752043S

(12) **United States Design Patent**  
**Ji et al.**

(10) **Patent No.:** **US D752,043 S**  
(45) **Date of Patent:** **\*\* \*Mar. 22, 2016**

(54) **MOBILE PHONE**

(71) Applicant: **LG Electronics Inc.**, Seoul (KR)

(72) Inventors: **Seunghyun Ji**, Seoul (KR); **Hyunwoo Yoo**, Seoul (KR)

(73) Assignee: **LG Electronics Inc.**, Seoul (KR)

(\*) Notice: This patent is subject to a terminal disclaimer.

(\*\*) Term: **14 Years**

(21) Appl. No.: **29/497,054**

(22) Filed: **Jul. 21, 2014**

(30) **Foreign Application Priority Data**

Jan. 22, 2014 (KR) ..... 30-2014-0003504

(51) **LOC (10) Cl.** ..... **14-02**

(52) **U.S. Cl.**  
USPC ..... **D14/344**; D14/138 R; D10/38

(58) **Field of Classification Search**  
USPC ..... D14/140, 137, 138 R, 138 AB, 139, 144, D14/155, 167, 191, 192, 203.1, 203.3, D14/203.4, 203.5, 203.7, 248, 226, 218, D14/240, 344, 440, 341, 346, 448, 450, D14/496; D10/30-32, 37-39, 65, 70, 77, D10/78, 98, 104.1, 104.2, 125; D11/3-5, D11/12, 19, 25; D13/168; D3/215; D15/199; 381/364, 151; 379/433.1; 455/575.1, 575.3, 575.4, 575.6, 556.1, 455/556.2, 558, 90.3; 368/10, 13, 69, 223, 368/281, 282, 294, 295, 296; D21/329, D21/513; D24/167, 186  
CPC ..... H04B 1/03; H04B 1/385; G04G 9/00; G04G 17/00; G04G 17/04; G04G 17/06; G04G 17/083; H04M 1/0227; H04M 1/03; H04M 1/04  
See application file for complete search history.

(56) **References Cited**

U.S. PATENT DOCUMENTS

D103,455 S *	3/1937	Katz .....	D10/38
D236,592 S *	9/1975	Portmann .....	D10/32
D238,758 S *	2/1976	Schulthess .....	D10/38
D249,024 S *	8/1978	Ackerman .....	D10/30
4,419,770 A *	12/1983	Yagi et al. ....	455/301
D279,671 S *	7/1985	Stanton .....	D14/192
D296,675 S *	7/1988	Jones et al. ....	D10/31
D296,993 S *	8/1988	Givings .....	D10/32
D297,312 S *	8/1988	Ishizaka .....	D10/32
D299,028 S *	12/1988	Hermann .....	D14/344

(Continued)

OTHER PUBLICATIONS

12 Star Trek gadgets that became reality. slipperybrick.com (online) 1 pg. Uploaded: Jan. 29, 2008 [retrieved on Jun. 22, 2015]. Retrieved from Internet: <<http://www.slipperybrick.com/2008/01/star-trek-gadgets/>>.\*

*Primary Examiner* — Susan Bennett Hattan

*Assistant Examiner* — Marie Fast Horse

(74) *Attorney, Agent, or Firm* — Morgan, Lewis & Bockius LLP

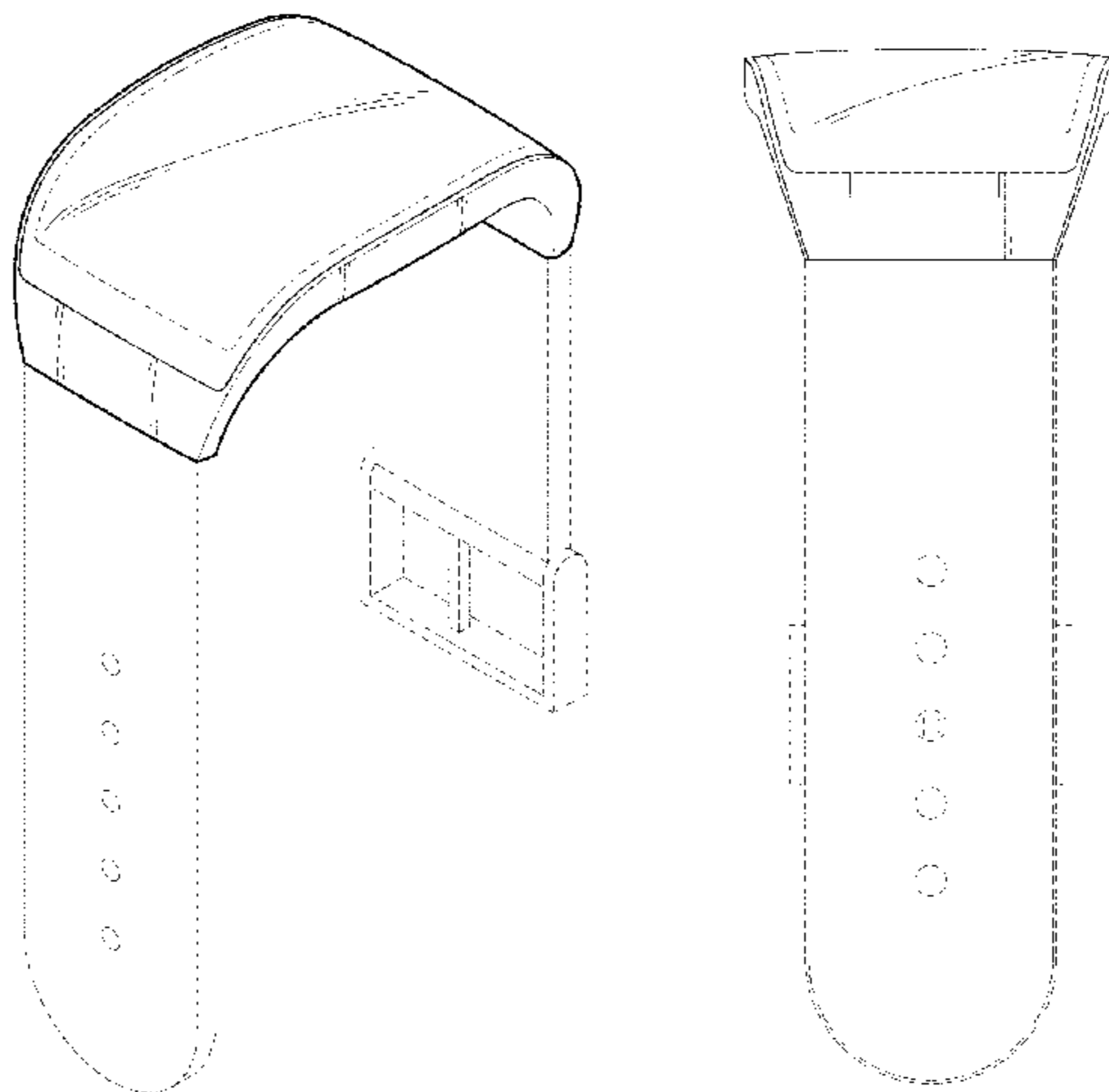
(57) **CLAIM**

The ornamental design for a mobile phone, as shown and described.

**DESCRIPTION**

FIG. 1 is a perspective view of a mobile phone showing our new design;  
FIG. 2 is a front view thereof;  
FIG. 3 is a rear view thereof;  
FIG. 4 is a left side view thereof where the right side view is a mirror image;  
FIG. 5 is a top plan view thereof; and,  
FIG. 6 is a bottom plan view thereof.  
The broken lines depict parts of the mobile phone that form no part of the claimed design.

**1 Claim, 5 Drawing Sheets**



(56)

References Cited

U.S. PATENT DOCUMENTS

D299,463 S \* 1/1989 Hermann ..... D14/344  
 5,235,560 A \* 8/1993 Seager ..... 368/10  
 D383,073 S \* 9/1997 Miller ..... D10/31  
 D399,433 S \* 10/1998 Bruce et al. .... D10/30  
 D410,854 S \* 6/1999 Cheung et al. .... D10/39  
 D488,391 S \* 4/2004 Kume ..... D10/32  
 D496,590 S \* 9/2004 Chung et al. .... D10/31  
 D539,670 S \* 4/2007 Behling ..... D10/32  
 D543,192 S \* 5/2007 Jung ..... D14/138 R  
 D568,768 S \* 5/2008 Tang ..... D10/30  
 D589,375 S \* 3/2009 Tang ..... D10/32  
 D610,476 S \* 2/2010 Daniel ..... D10/65  
 7,828,697 B1 \* 11/2010 Oberrieder et al. .... 482/8  
 D636,686 S \* 4/2011 Cobbett et al. .... D10/38  
 D665,952 S \* 8/2012 Guo ..... D30/152  
 D679,199 S \* 4/2013 Mille ..... D10/39

D709,476 S \* 7/2014 Park et al. .... D14/138 R  
 D719,123 S \* 12/2014 Park et al. .... D14/138 R  
 D720,074 S \* 12/2014 Suvilaakso et al. .... D24/167  
 D725,068 S \* 3/2015 Cho et al. .... D14/138 R  
 D726,140 S \* 4/2015 Park et al. .... D14/138 R  
 D727,188 S \* 4/2015 Sullivan et al. .... D10/98  
 D727,195 S \* 4/2015 Wanliss-Orlebar et al. .... D11/3  
 D727,759 S \* 4/2015 Martinez et al. .... D10/70  
 D729,238 S \* 5/2015 Song ..... D14/344  
 D730,210 S \* 5/2015 Song ..... D10/70  
 D730,348 S \* 5/2015 Grifoni ..... D14/344  
 2006/0202618 A1 \* 9/2006 Ishii et al. .... 313/513  
 2006/0203621 A1 \* 9/2006 Brodmann ..... 368/281  
 2009/0201767 A1 \* 8/2009 Caldwell ..... 368/10  
 2013/0211204 A1 \* 8/2013 Caduff et al. .... 600/300  
 2013/0261405 A1 \* 10/2013 Lee et al. .... 600/301  
 2014/0295918 A1 \* 10/2014 Grifoni et al. .... 455/566  
 2015/0063075 A1 \* 3/2015 Baek et al. .... 368/10  
 2015/0099472 A1 \* 4/2015 Ickovic ..... 455/66.1

\* cited by examiner

FIG. 1

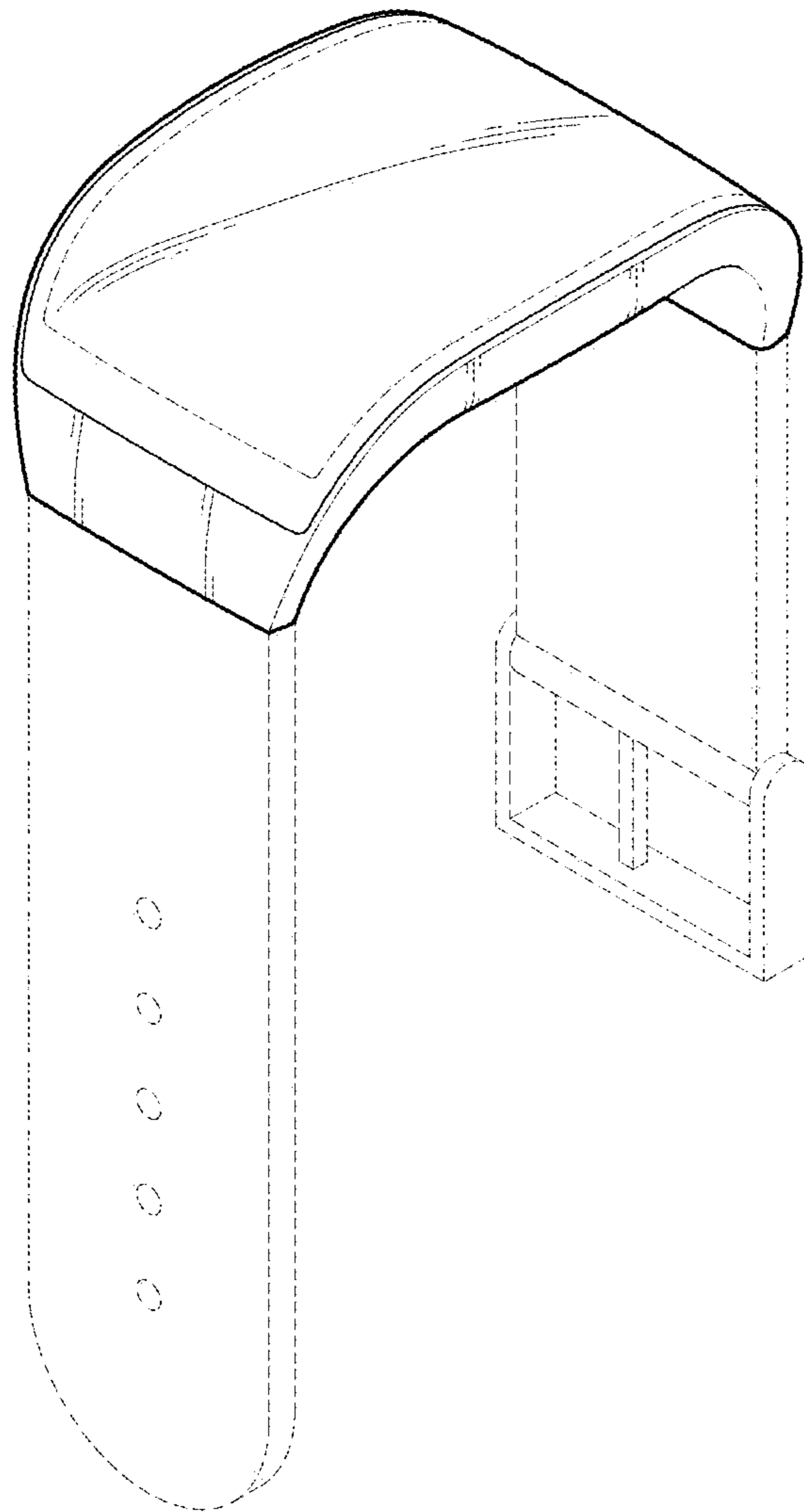


FIG. 2

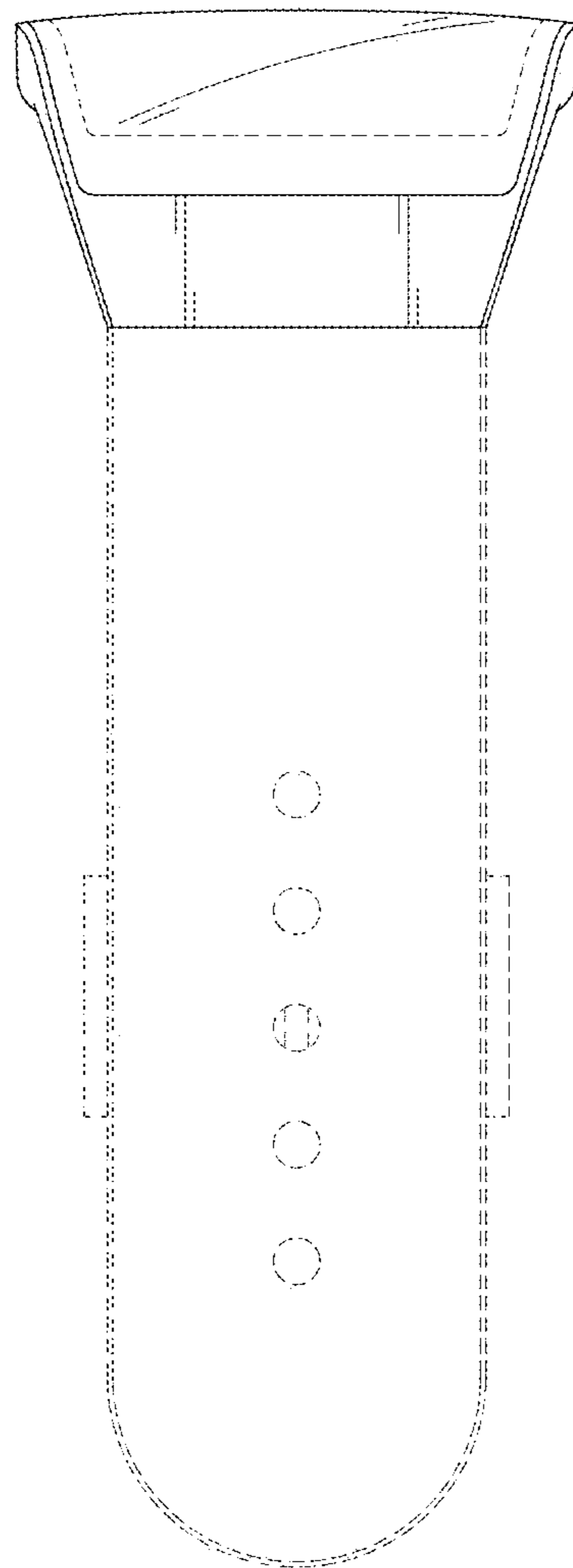


FIG. 3

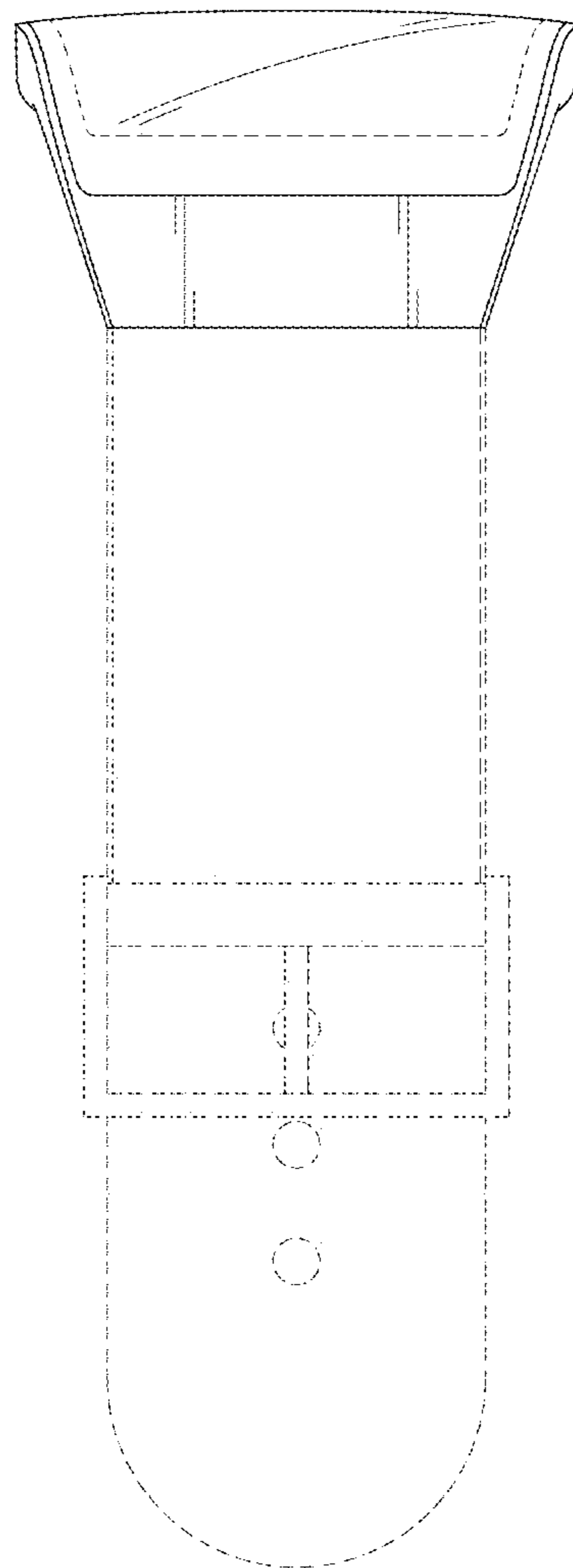


FIG. 4

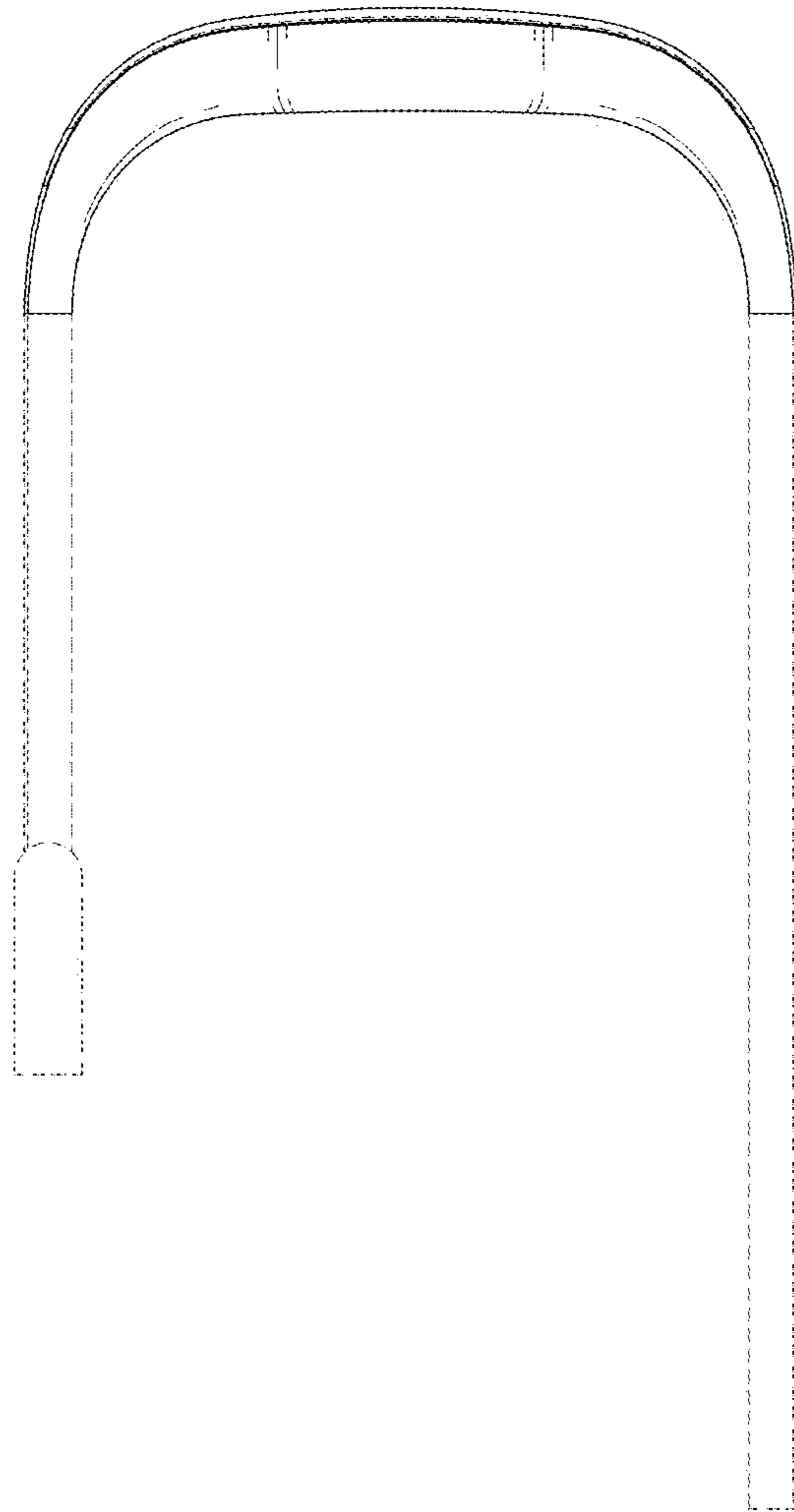


FIG. 5

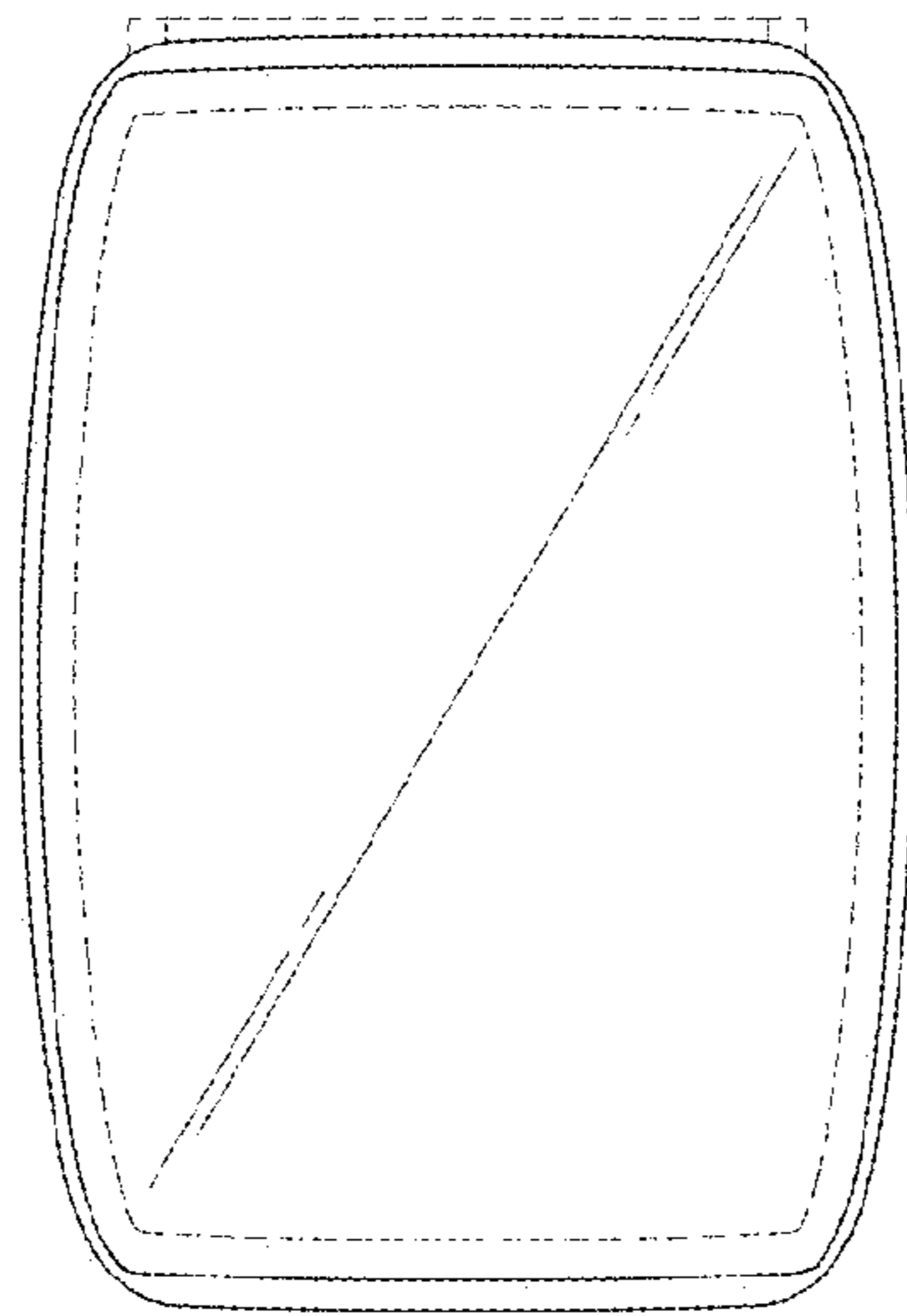


FIG. 6

