



US00D752041S

(12) **United States Design Patent**
Kim et al.

(10) **Patent No.:** **US D752,041 S**
(45) **Date of Patent:** **** Mar. 22, 2016**

(54) **ELECTRONIC DEVICE**

(71) Applicant: **Samsung Electronics, Ltd**, Suwon-Si (KR)

(72) Inventors: **Hyun Jin Kim**, Seoul (KR); **Ji yeon Kwak**, Seoul (KR); **Joon Kyu Seo**, Seoul (KR)

(73) Assignee: **Samsung Electronics Co., Ltd.**, Suwon-si (KR)

(**) Term: **14 Years**

(21) Appl. No.: **29/465,041**

(22) Filed: **Aug. 23, 2013**

(30) **Foreign Application Priority Data**

Feb. 23, 2013 (KR) 30-2013-0009578

(51) **LOC (10) Cl.** **14-02**

(52) **U.S. Cl.**
USPC **D14/344**

(58) **Field of Classification Search**
USPC D14/341, 342, 343, 344, 345, 346, 347,
D14/420, 426, 427; D10/30, 31, 32, 37, 38,
D10/39, 65; 368/281, 282, 294, 295, 296;
455/100; 361/679.03; 379/433.1;
D11/3

See application file for complete search history.

(56) **References Cited**

U.S. PATENT DOCUMENTS

1,427,891 A * 9/1922 Ziegler 40/633
5,274,613 A * 12/1993 Seager 368/13
D565,427 S * 4/2008 Ellner et al. D10/31

D633,399 S * 3/2011 Zinder D10/31
D661,275 S * 6/2012 Roka D14/138 R
D684,082 S * 6/2013 Alvarez et al. D11/3
D688,585 S * 8/2013 Ohnemus et al. D11/3
D690,218 S * 9/2013 Cobbett et al. D11/3
D703,069 S * 4/2014 Adams et al. D10/31
D711,002 S * 8/2014 Ohnemus et al. D24/186
D721,701 S * 1/2015 Al-Nasser D14/344

* cited by examiner

Primary Examiner — Barbara Fox

(74) *Attorney, Agent, or Firm* — NSIP Law

(57) **CLAIM**

The ornamental design for an electronic device, as shown and described.

DESCRIPTION

FIG. 1 is a front perspective view of an electronic device showing our new design;

FIG. 2 is a front view thereof;

FIG. 3 is a rear view thereof;

FIG. 4 is a left-side view thereof;

FIG. 5 is a right-side view thereof;

FIG. 6 is a top view thereof;

FIG. 7 is a bottom view thereof;

FIG. 8 is a perspective view of the electronic device of FIG. 1 shown in an open position;

FIG. 9 is another perspective view thereof;

FIG. 10 is another perspective view thereof; and,

FIG. 11 is an enlarged view of the encircled portion A in FIG. 2.

The broken lines indicate portions of the electronic device that form no part of the claimed design.

The dot-dash broken lines encircling portions of the claimed design that are illustrated in enlargements form no part of the claimed design.

1 Claim, 11 Drawing Sheets

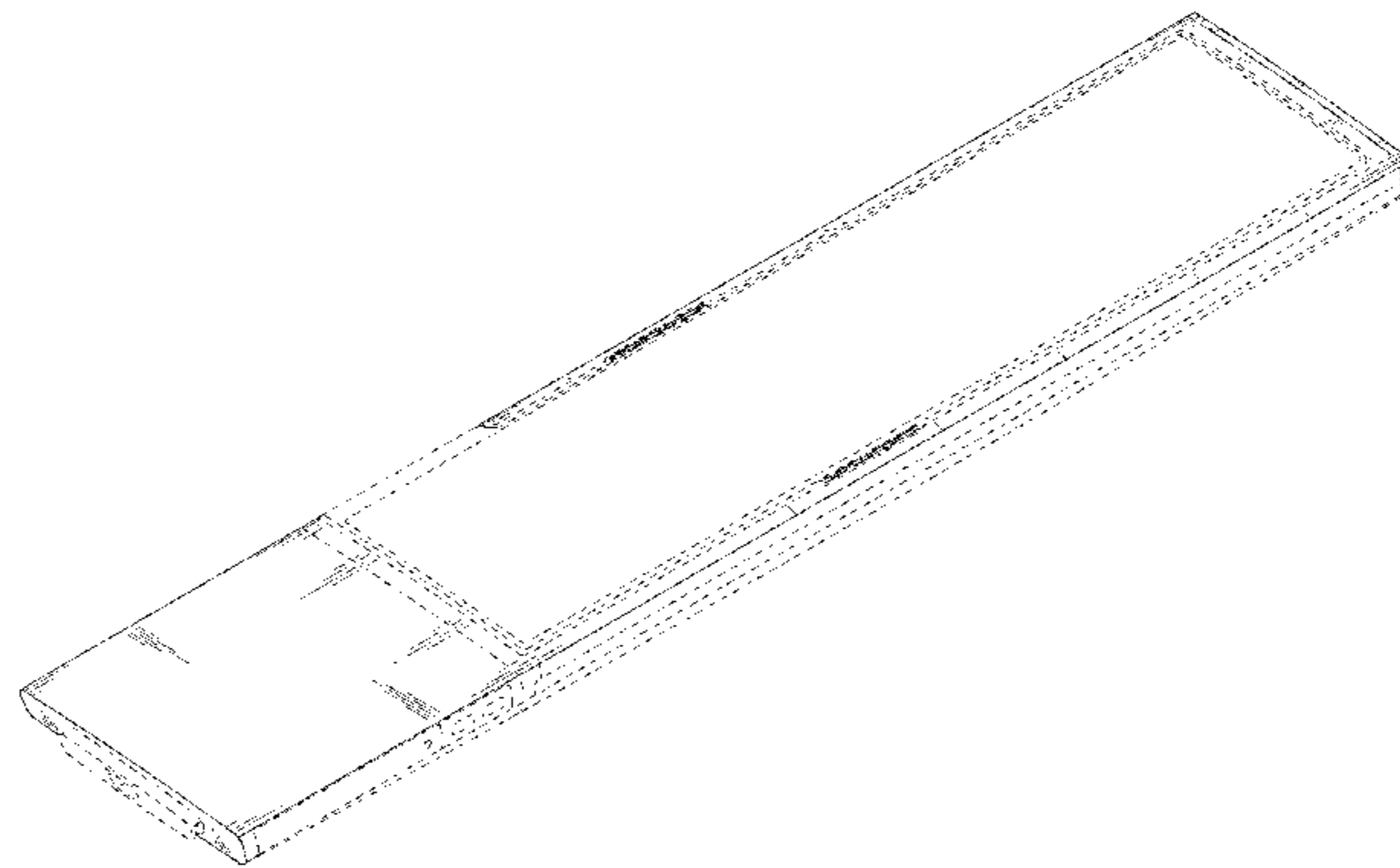
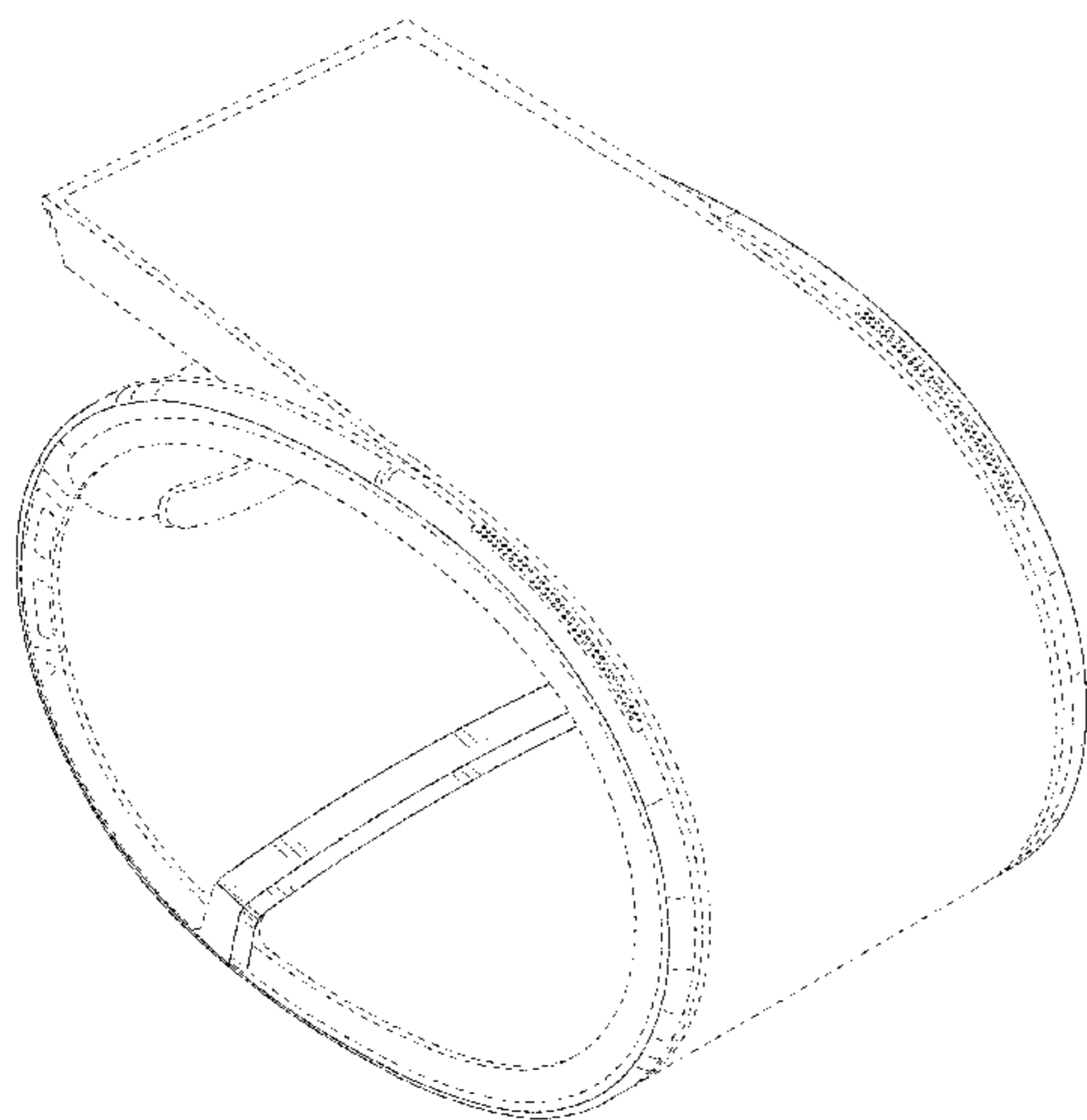


FIG. 1

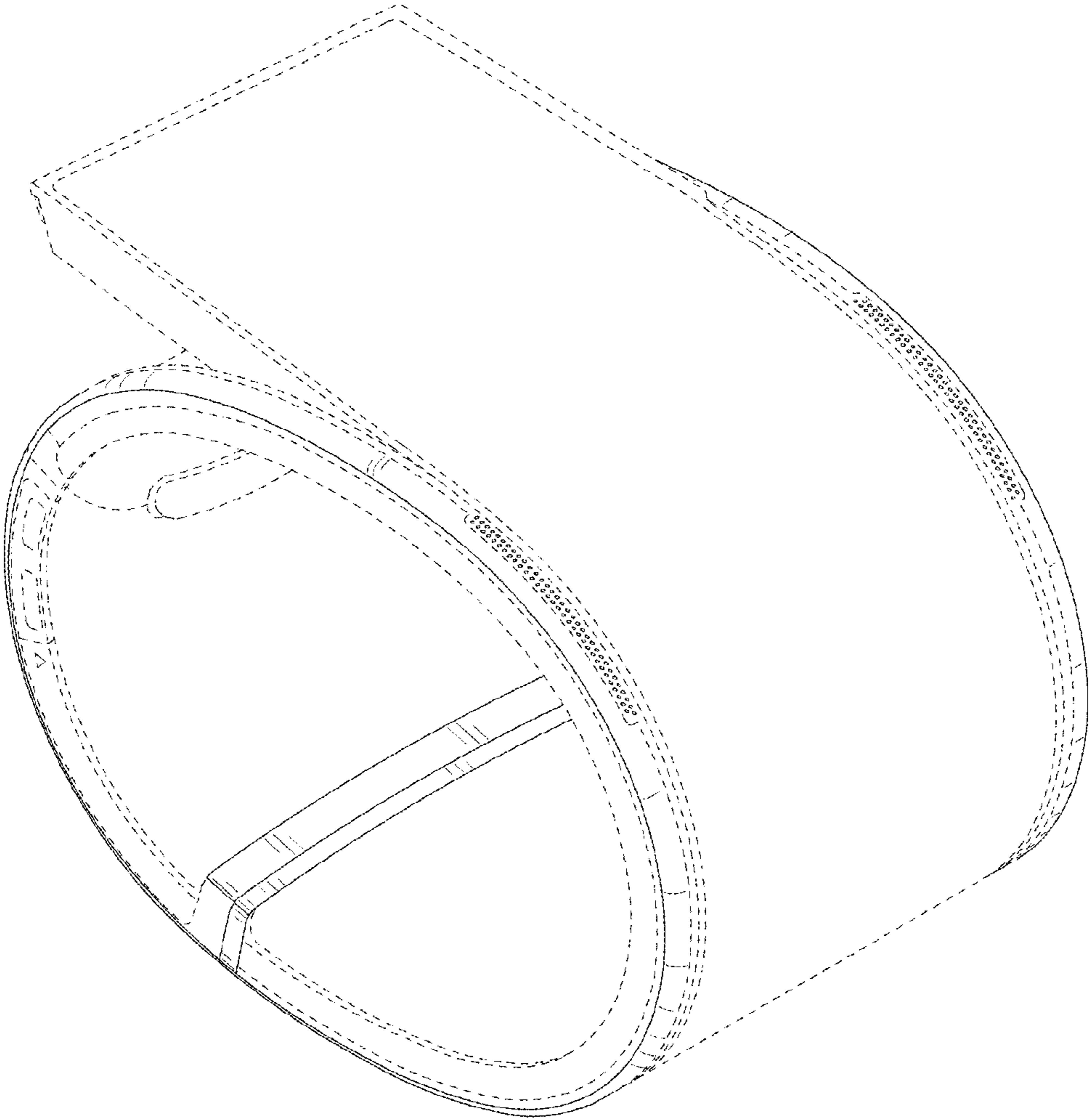


FIG. 2

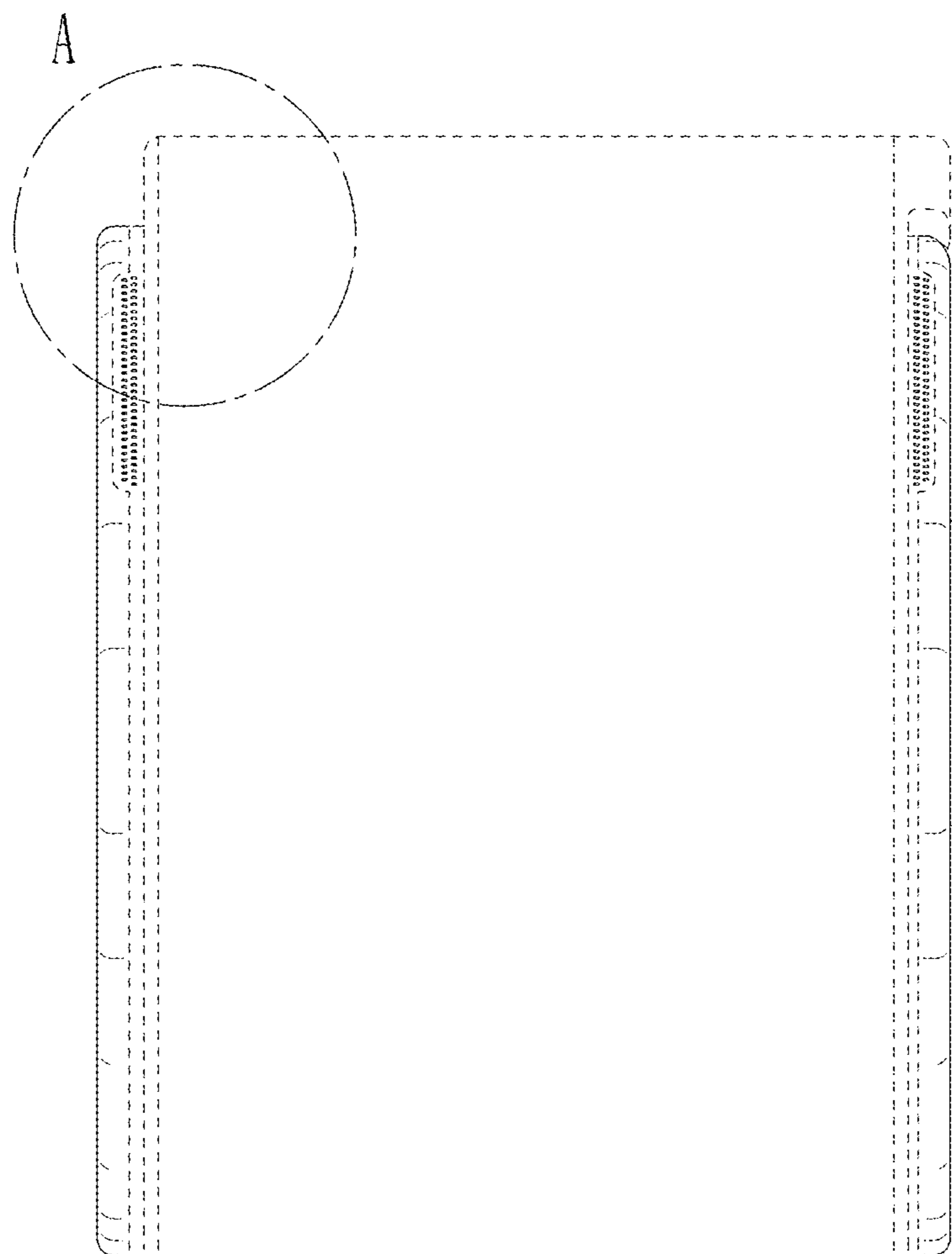


FIG. 3

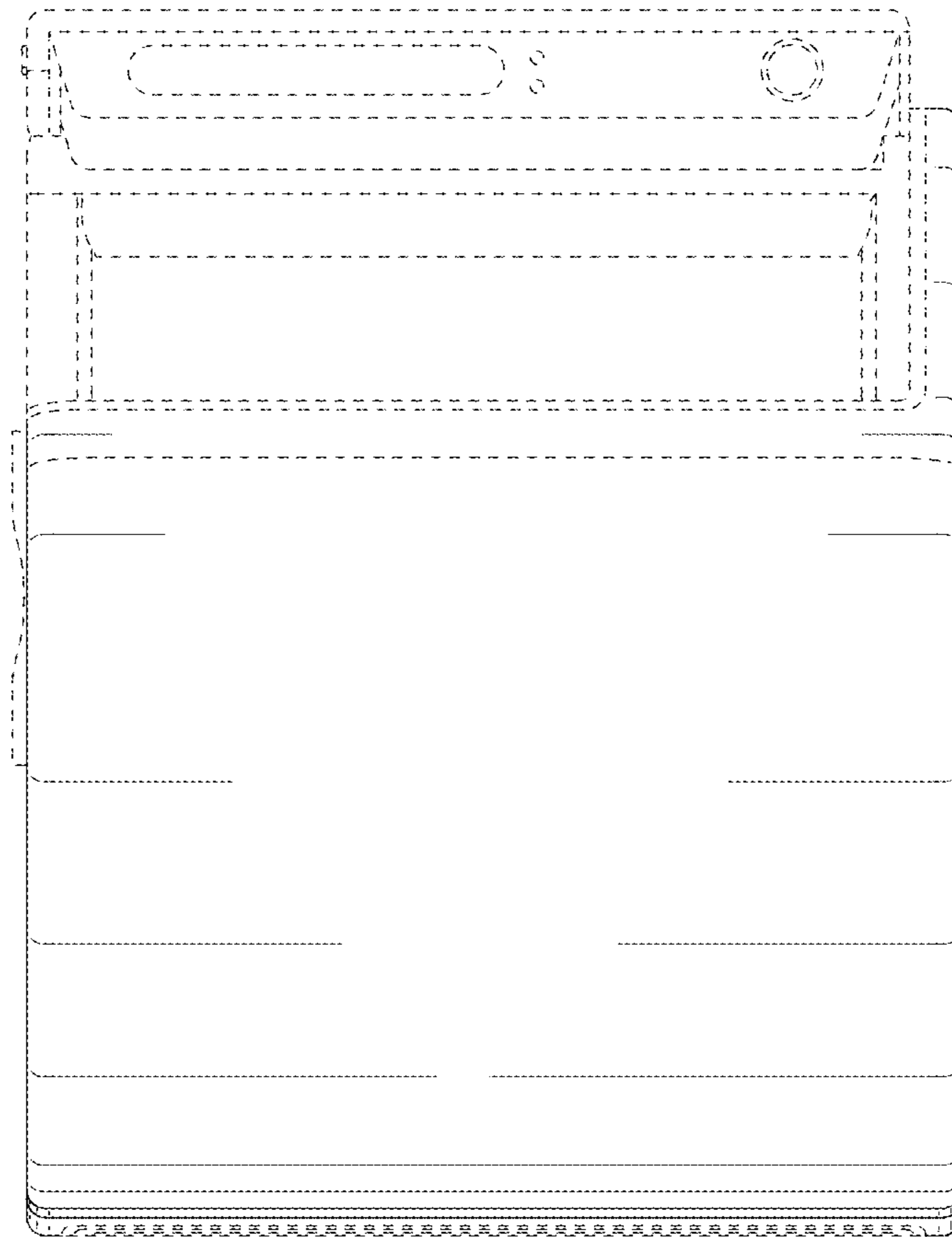


FIG. 4

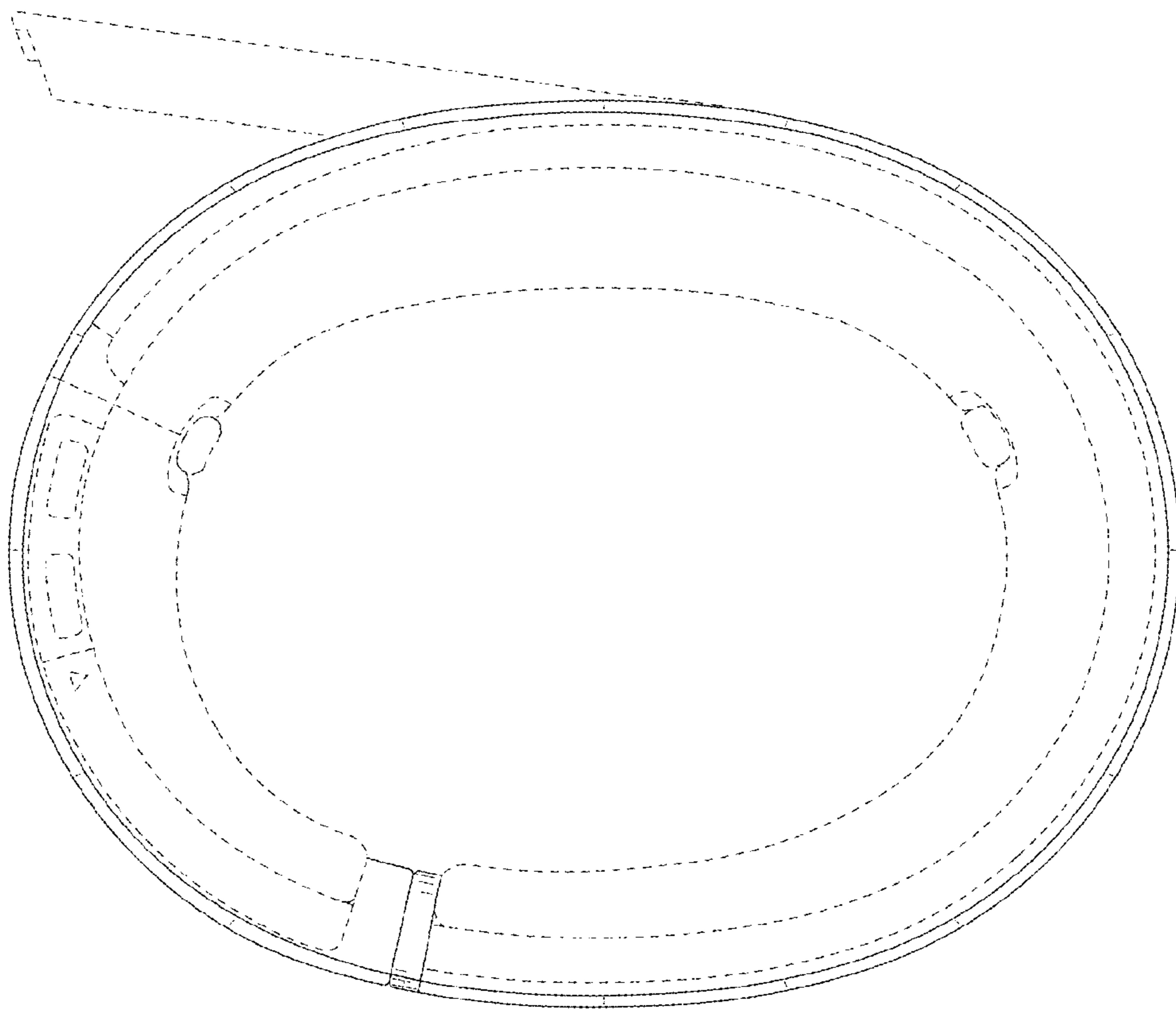


FIG. 5

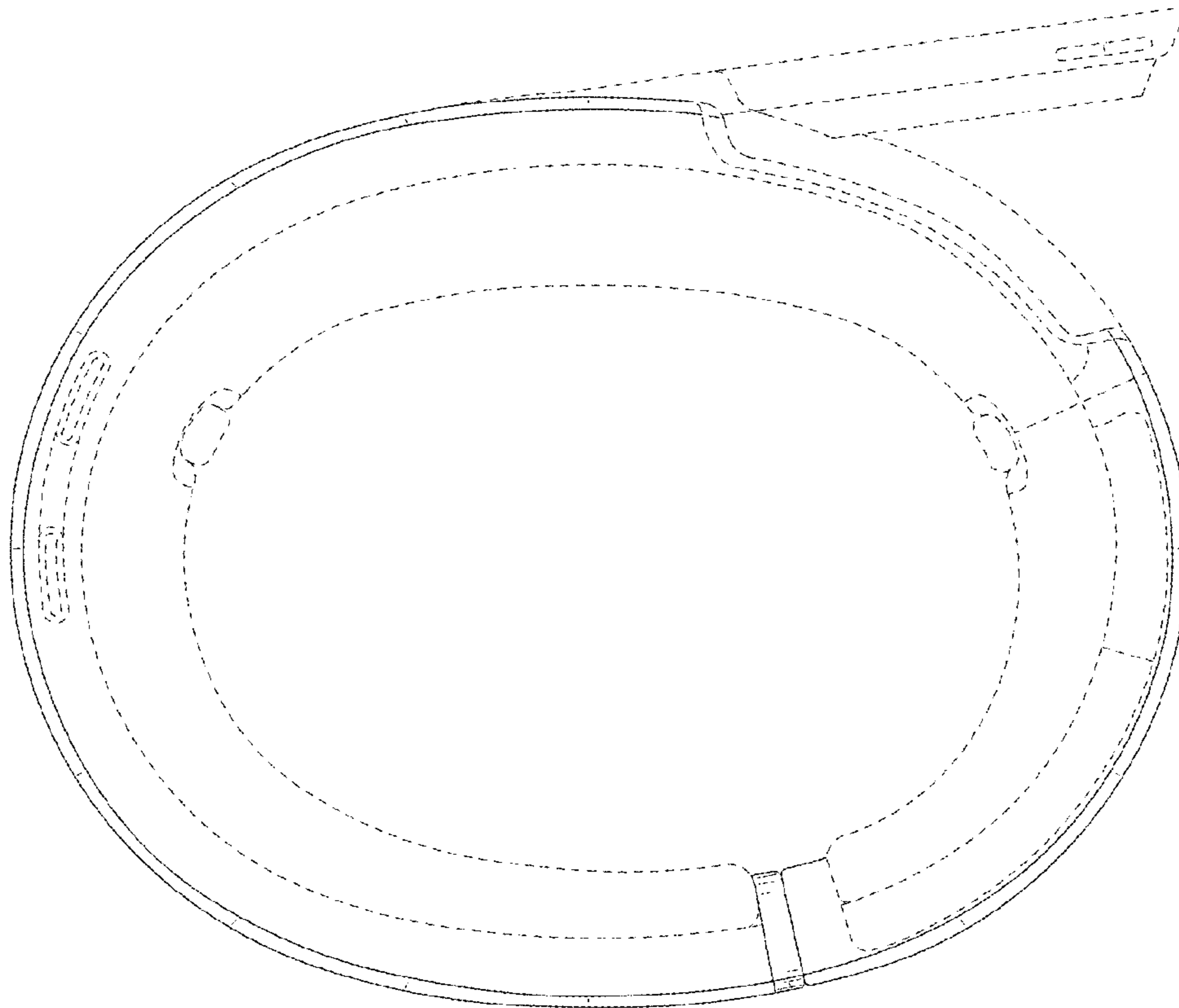


FIG. 6

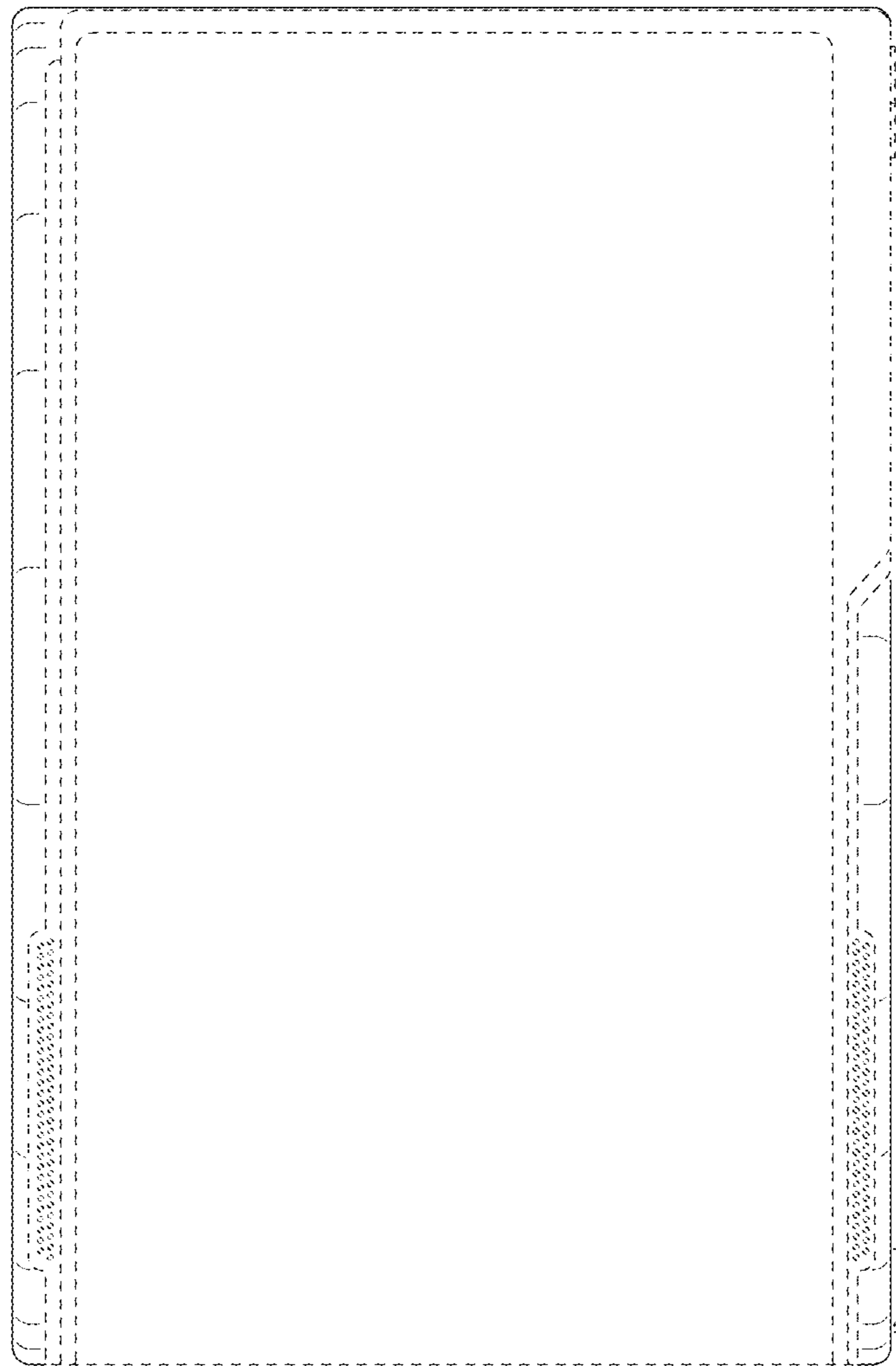


FIG. 7

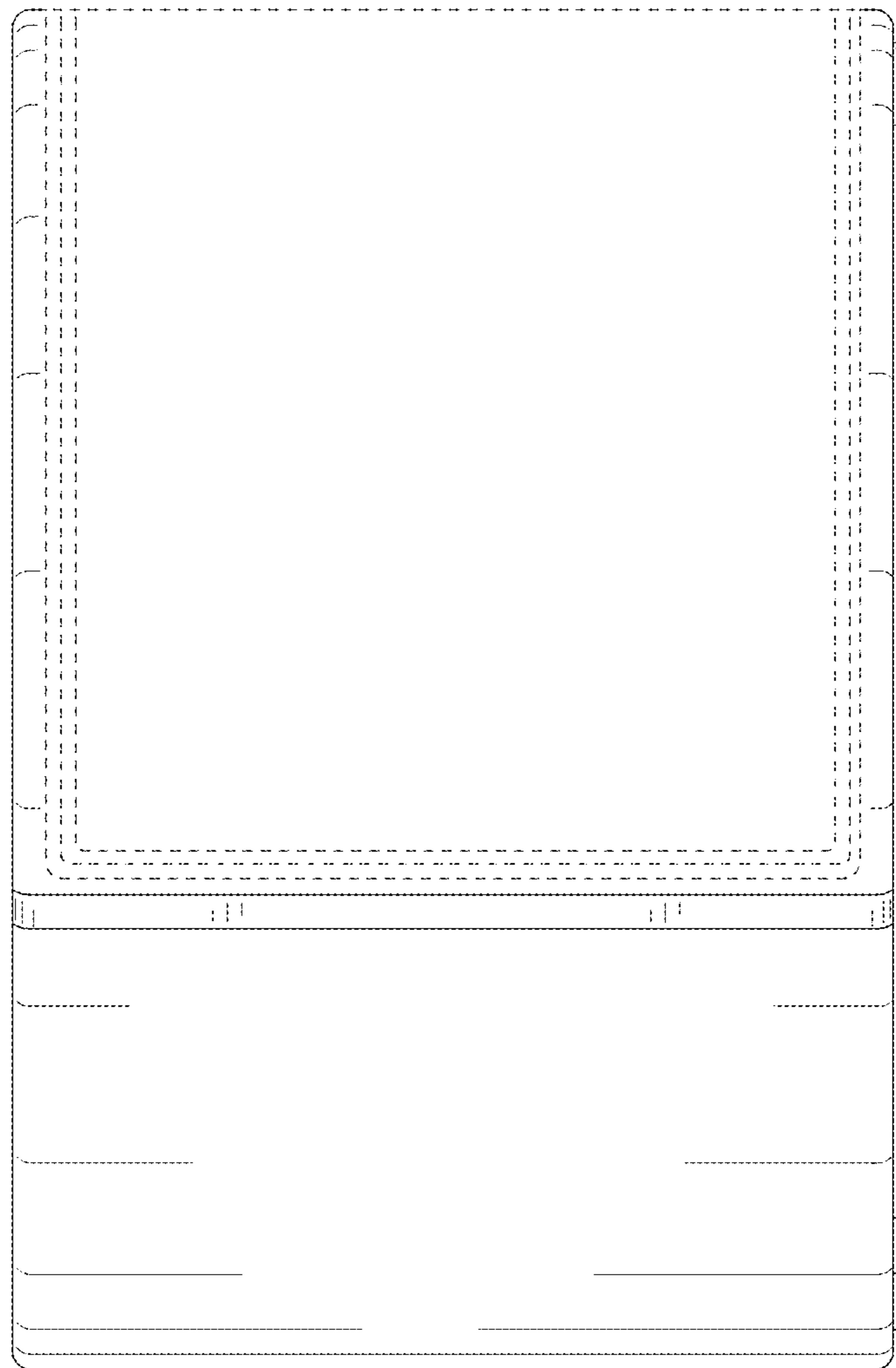


FIG. 8

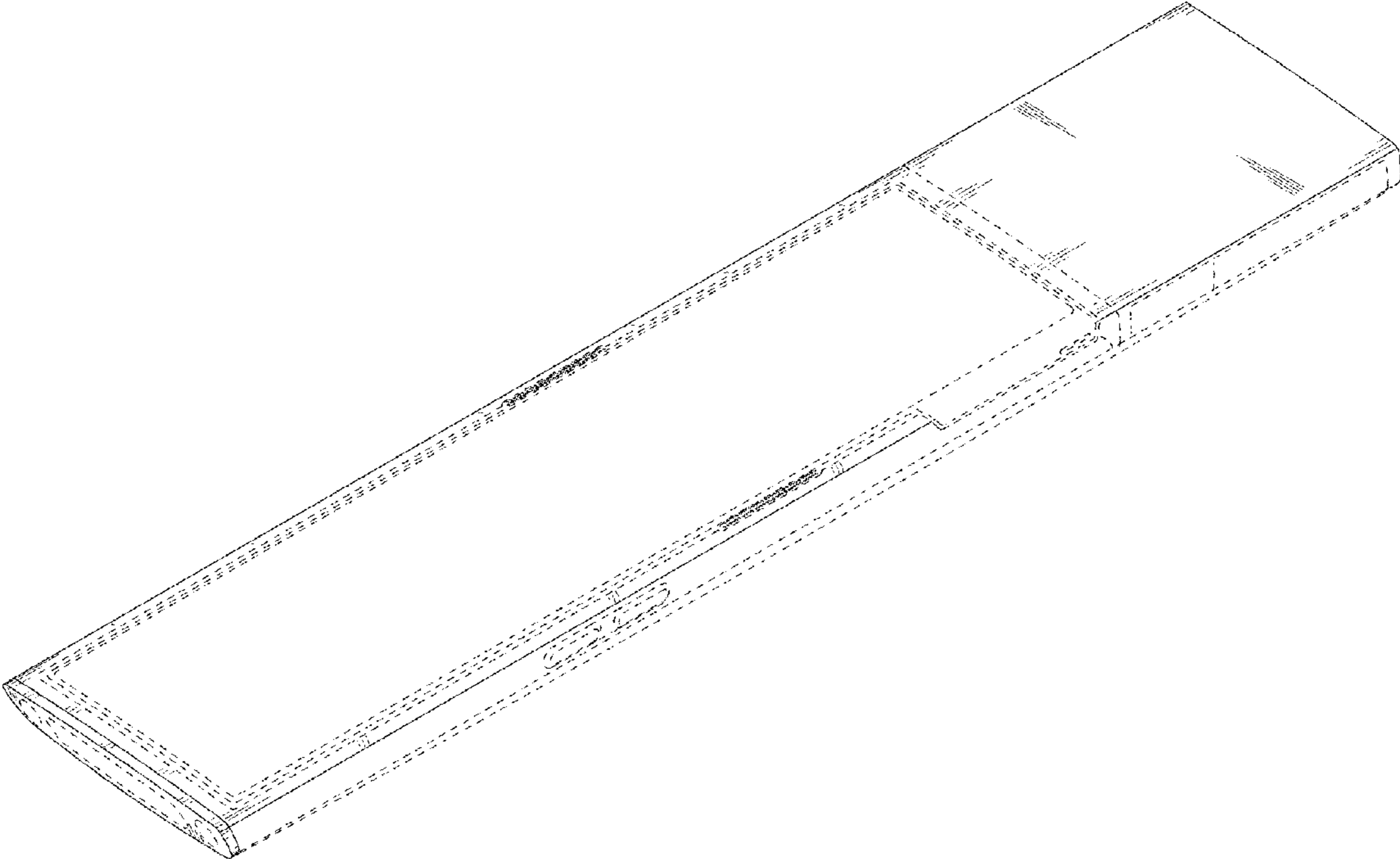


FIG. 9

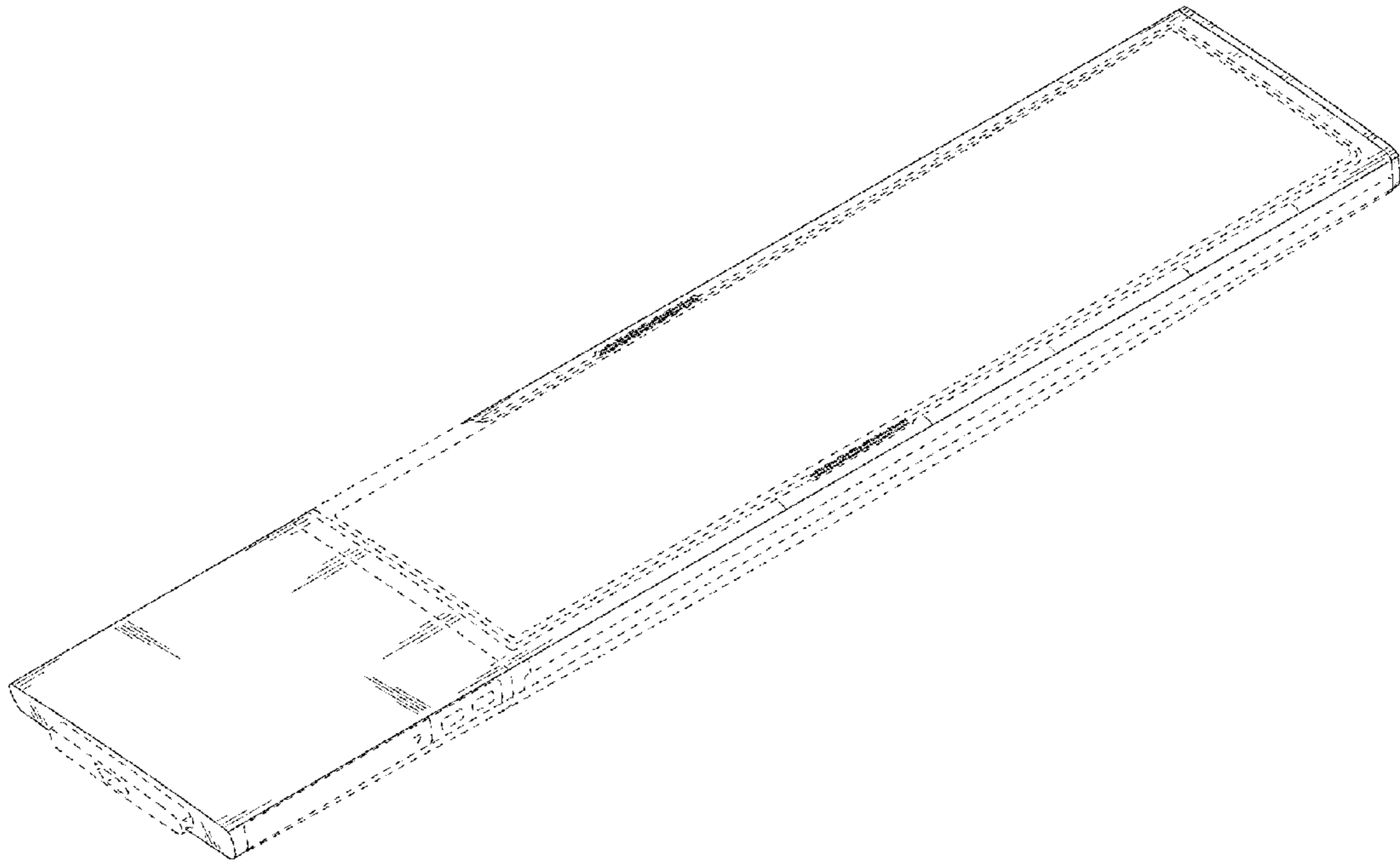


FIG. 10

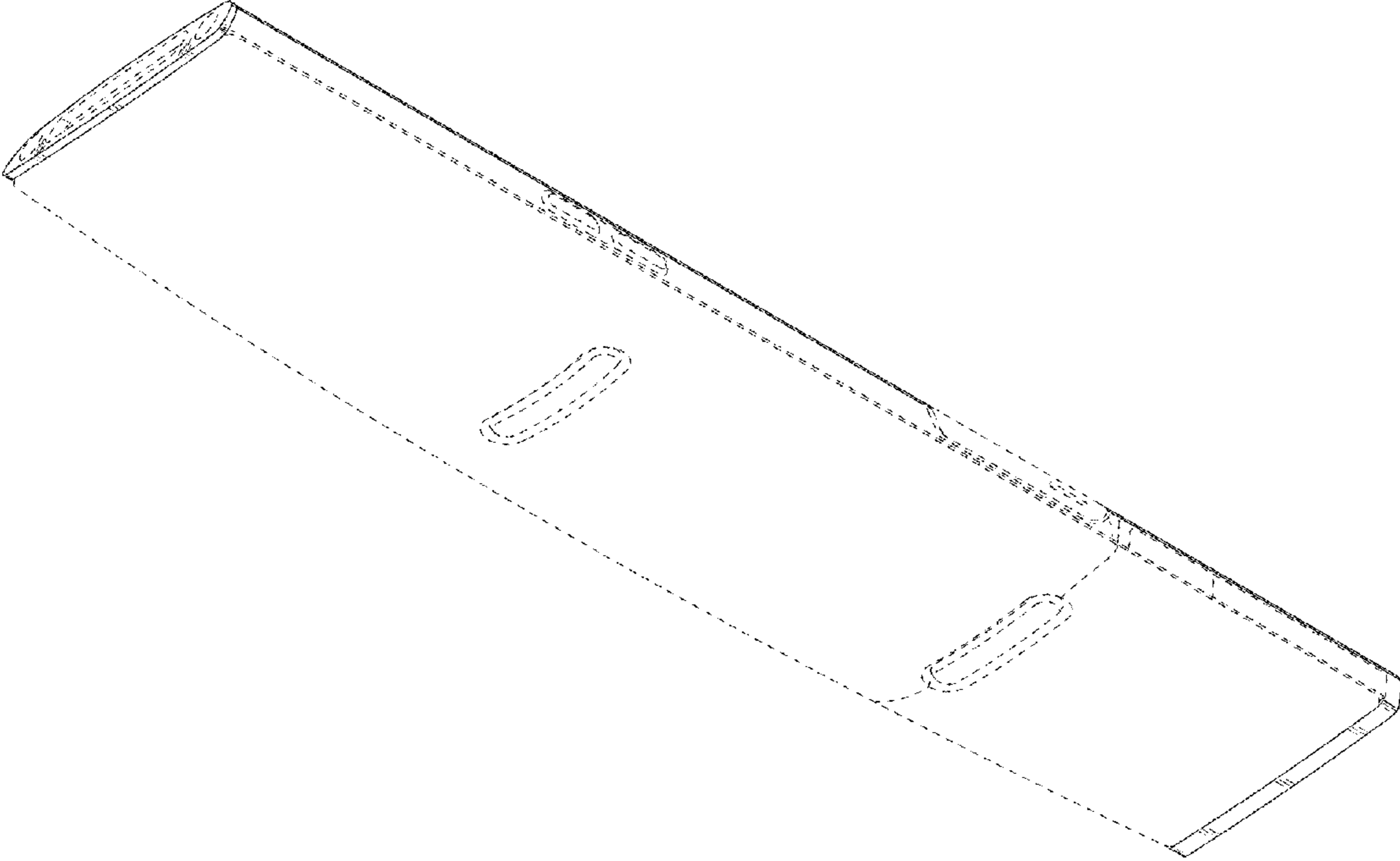


FIG. 11

