



US00D752040S

(12) **United States Design Patent**
Cebe et al.

(10) **Patent No.:** **US D752,040 S**
(45) **Date of Patent:** **** Mar. 22, 2016**

(54) **TABLET COMPUTER**

(71) Applicant: **Hewlett-Packard Development Company, L.P.**, Houston, TX (US)

(72) Inventors: **Chrome Manley Cebe**, Houston, TX (US); **Alexander Wroblewski**, Houston, TX (US); **Giovanni Mata Magana**, Houston, TX (US)

(73) Assignee: **Hewlett-Packard Development Company, L.P.**, Houston, TX (US)

(**) Term: **14 Years**

(21) Appl. No.: **29/501,576**

(22) Filed: **Sep. 5, 2014**

(51) **LOC (10) Cl.** **14-02**

(52) **U.S. Cl.**
USPC **D14/341**

(58) **Field of Classification Search**
USPC D14/496, 203.3, 203, 7, 341–347, D14/138 R, 138 AA, 138 C, 138 G, 218, 248; 273/148 B; 463/1, 29–35, 46, 47; 345/156, 901, 905; 379/433.04, 379/433.01, 916; 361/679.55, 679.56; 455/556.1, 556.2, 566, 575.1, 90.3
CPC . H04M 1/00; H04M 11/066; H04M 2201/38; G06F 15/00; A63F 13/00; A63F 13/09
See application file for complete search history.

(56) **References Cited**

U.S. PATENT DOCUMENTS

- 6,028,765 A * 2/2000 Swindler B60R 11/0252
174/138 G
- D529,045 S * 9/2006 Shin D14/203.7
- 7,203,529 B2 * 4/2007 Kim H04N 1/2112
348/E7.079
- D570,347 S * 6/2008 Kataoka D14/341
- D604,716 S * 11/2009 Oh D14/203.3
- D638,395 S * 5/2011 Finnegan D14/203.3
- D649,526 S * 11/2011 Hu D14/203.7

- D652,418 S * 1/2012 Rashid D14/341
- D668,649 S * 10/2012 Burke D14/341
- D678,271 S * 3/2013 Chiu D14/341
- D714,287 S * 9/2014 Takahashi D14/341
- D732,014 S * 6/2015 Miyake D14/258
- D735,717 S * 8/2015 Lam D14/341

* cited by examiner

Primary Examiner — Prabhakar Deshmukh

(74) *Attorney, Agent, or Firm* — Foley & Lardner LLP

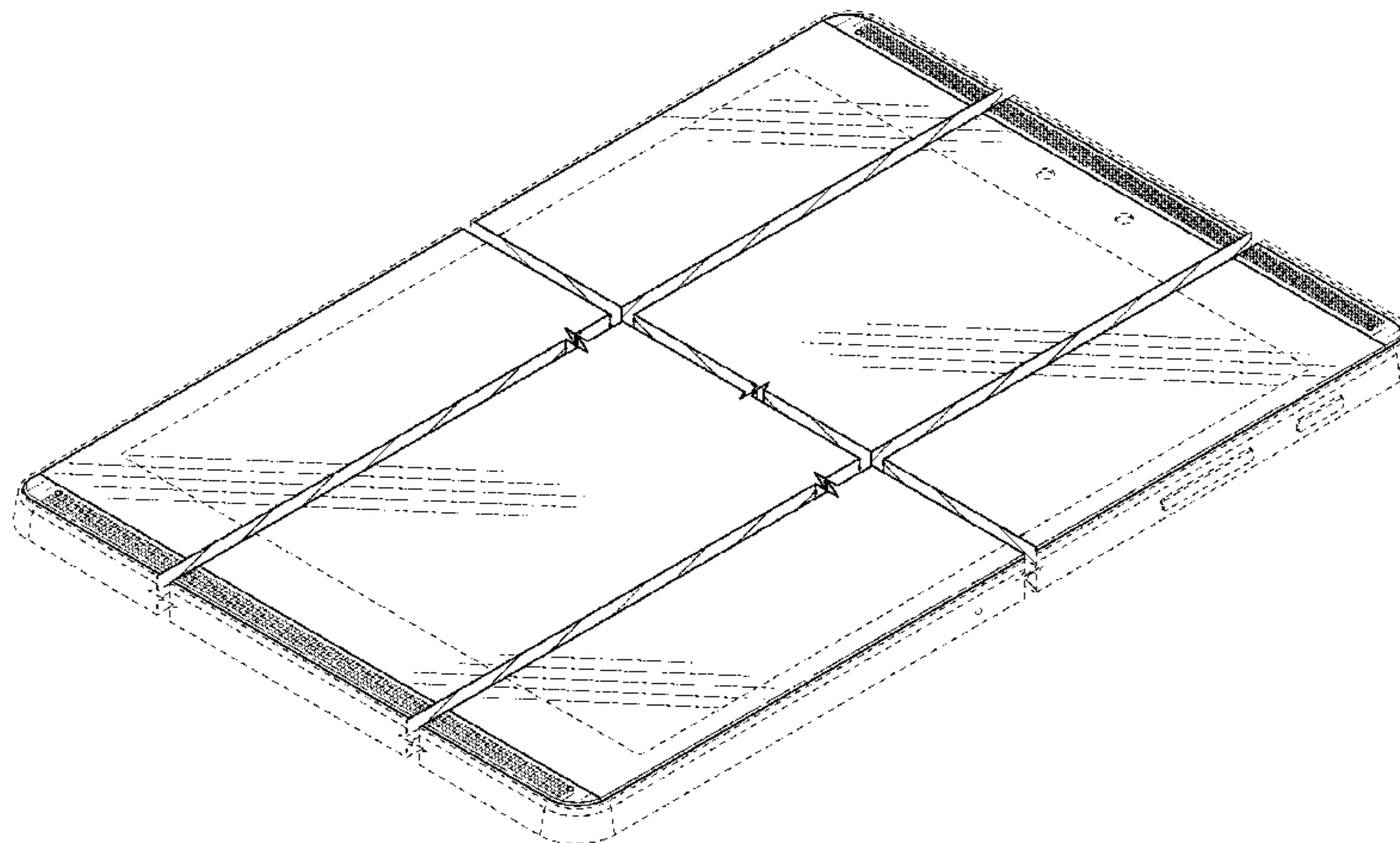
(57) **CLAIM**

We claim the ornamental design for a tablet computer, as shown and described.

DESCRIPTION

FIG. 1 is a bottom, front, right perspective view of an embodiment of a tablet computer showing our new design;
 FIG. 2 is a front elevation view thereof;
 FIG. 3 is a rear elevation view thereof;
 FIG. 4 is a left elevation view thereof;
 FIG. 5 is a right elevation view thereof;
 FIG. 6 is a top plan view thereof;
 FIG. 7 is a bottom plan view thereof;
 FIG. 8 is an enlarged view of a portion of FIG. 2;
 FIG. 9 is a bottom, front, right perspective view of an embodiment of the claimed design;
 FIG. 10 is a front elevation view thereof;
 FIG. 11 is a rear elevation view thereof;
 FIG. 12 is a left elevation view thereof;
 FIG. 13 is a right elevation view thereof;
 FIG. 14 is a top plan view thereof;
 FIG. 15 is a bottom plan view thereof; and,
 FIG. 16 is an enlarged view of a portion of FIG. 10.
 The broken lines indicate unclaimed portions and form no part of the claimed design. The large dish lines of FIGS. 2 and 10 indicating the reference to enlarged views form no part of the claimed design. The broken away lines in the drawings indicate undetermined length and width of the claimed design, and portions between the broken away lines form no part of the claimed design.

1 Claim, 10 Drawing Sheets



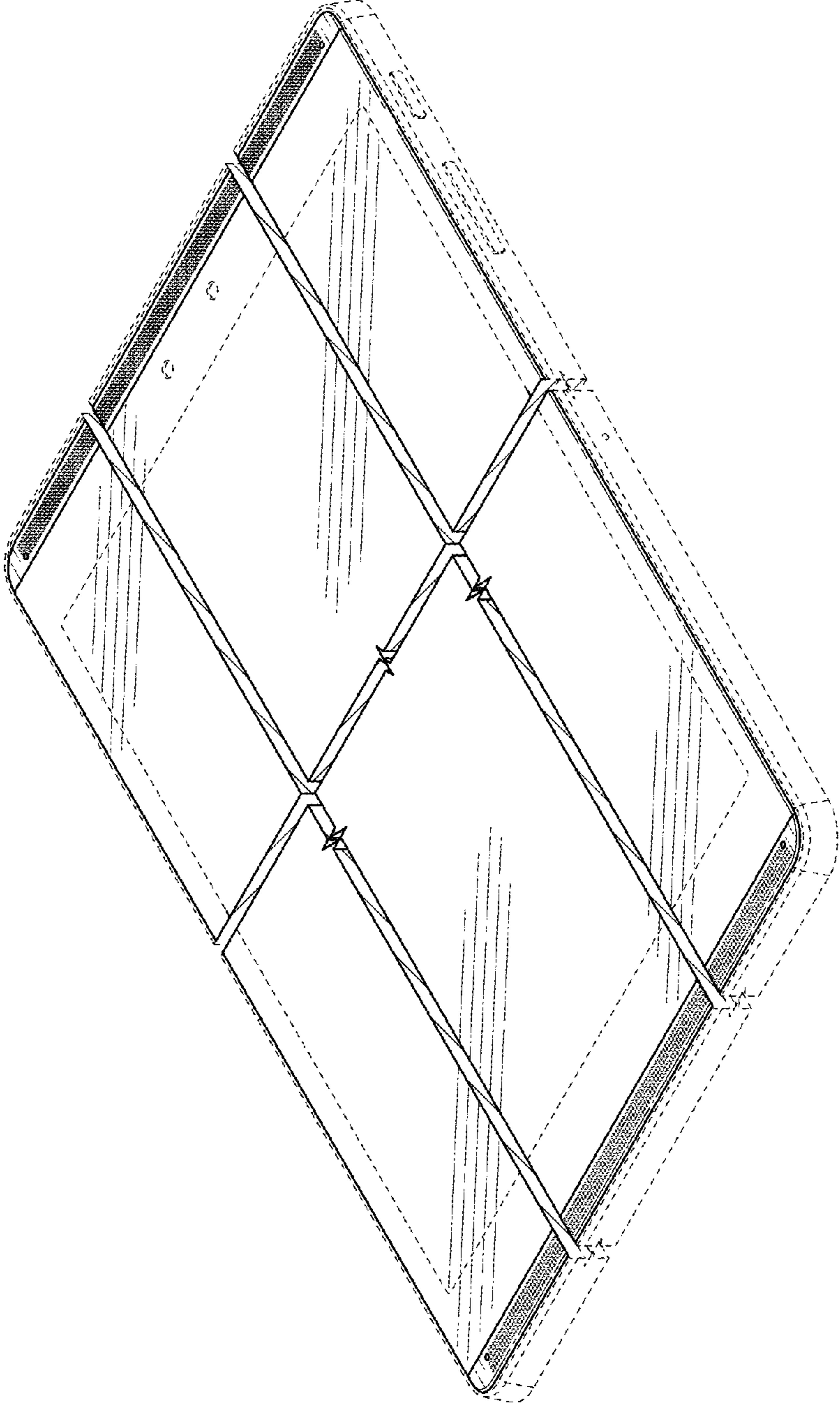


FIG. 1

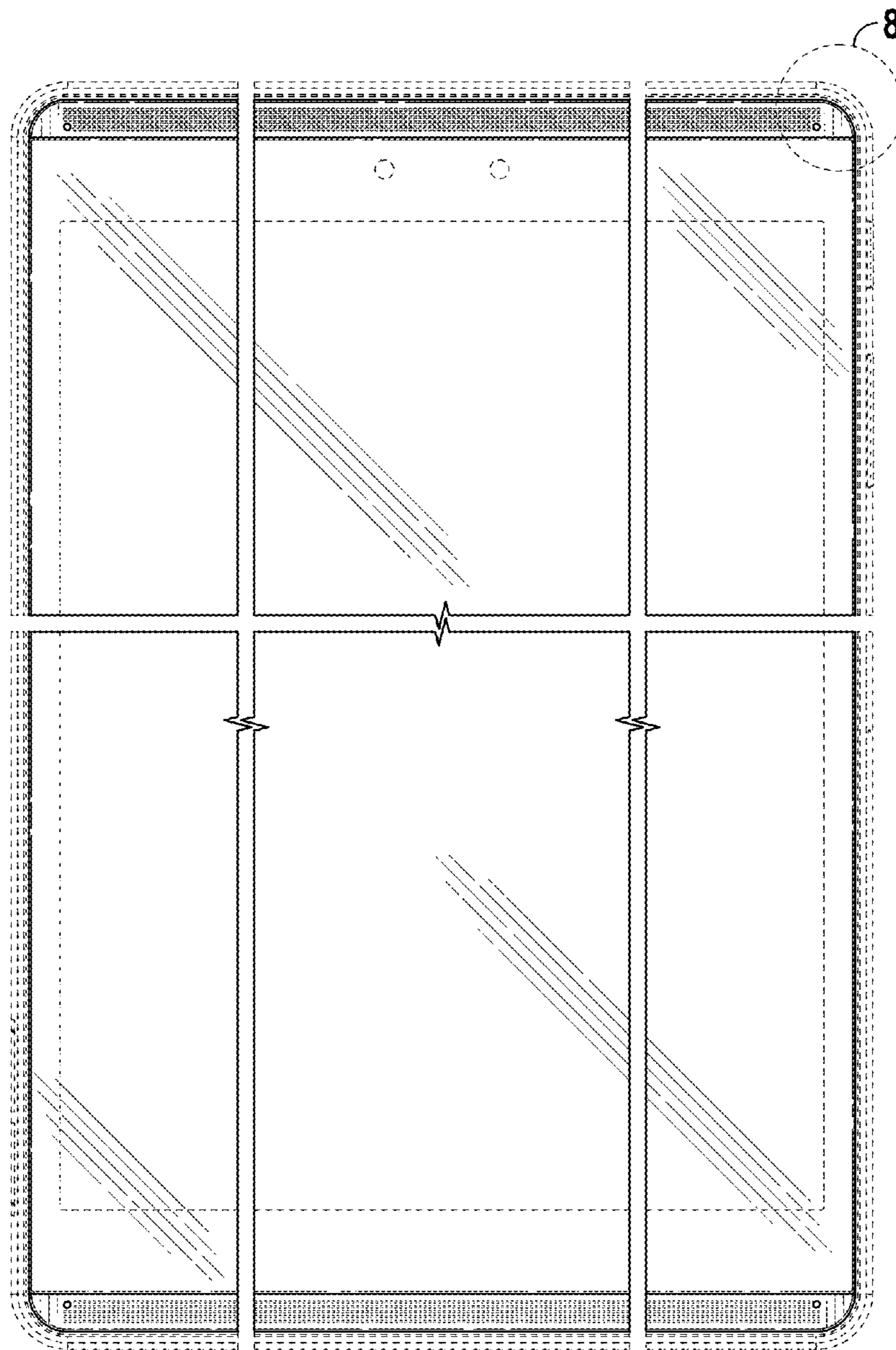


FIG. 2

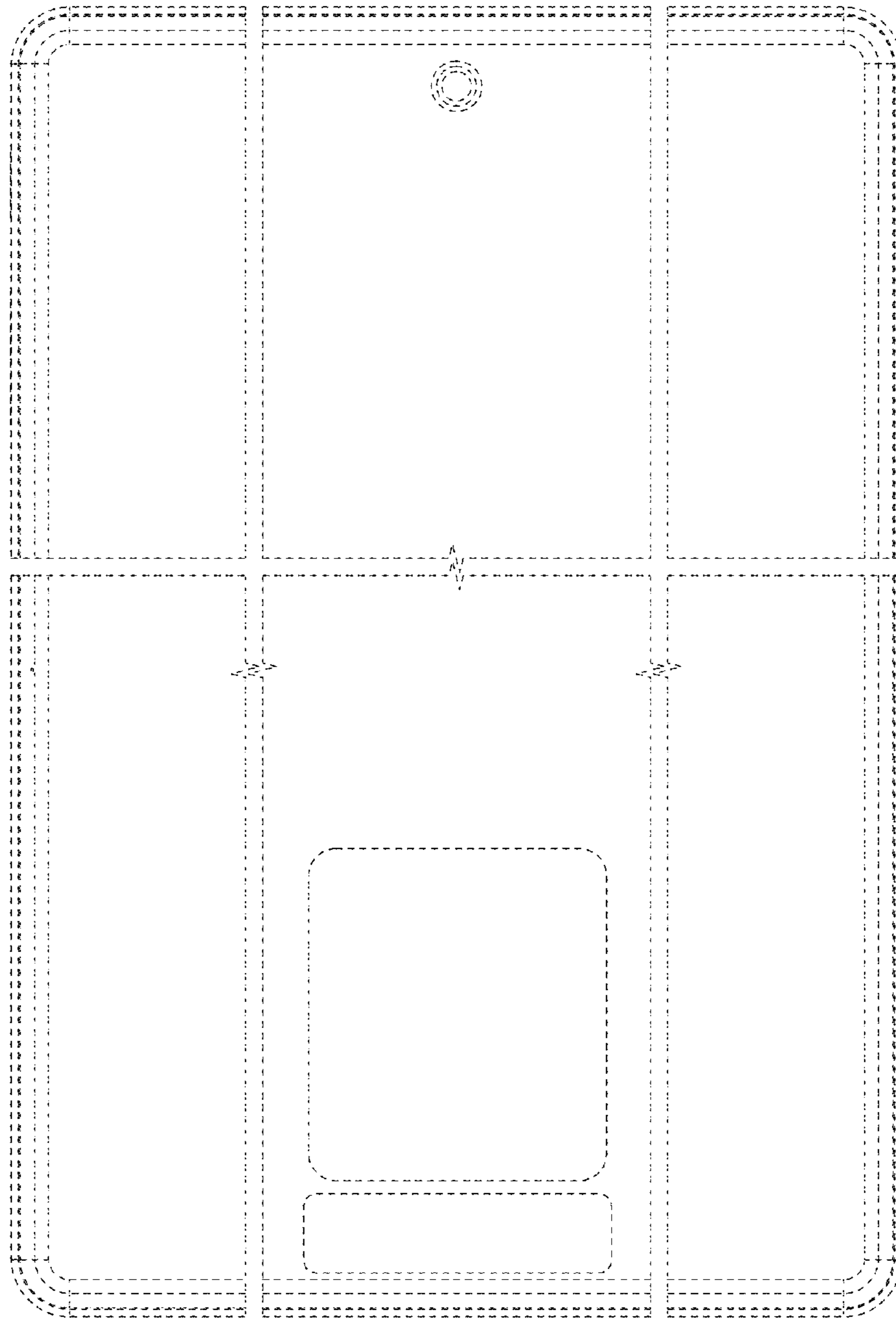


FIG. 3

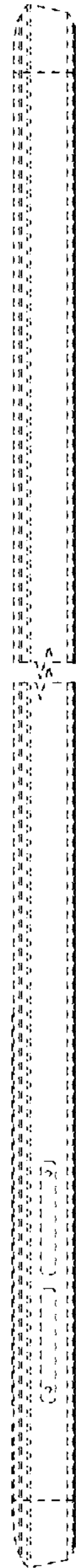


FIG. 4

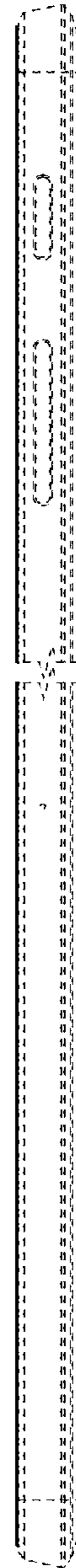


FIG. 5

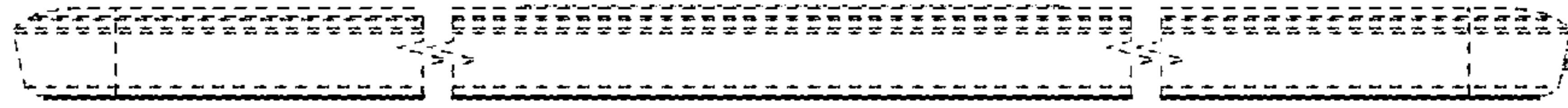


FIG. 6

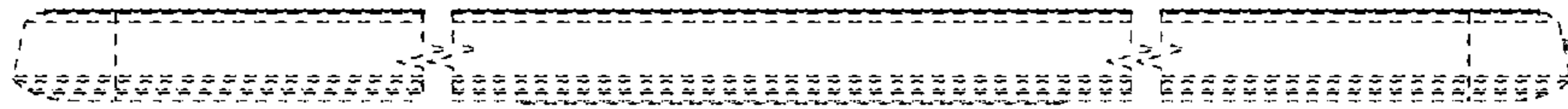


FIG. 7

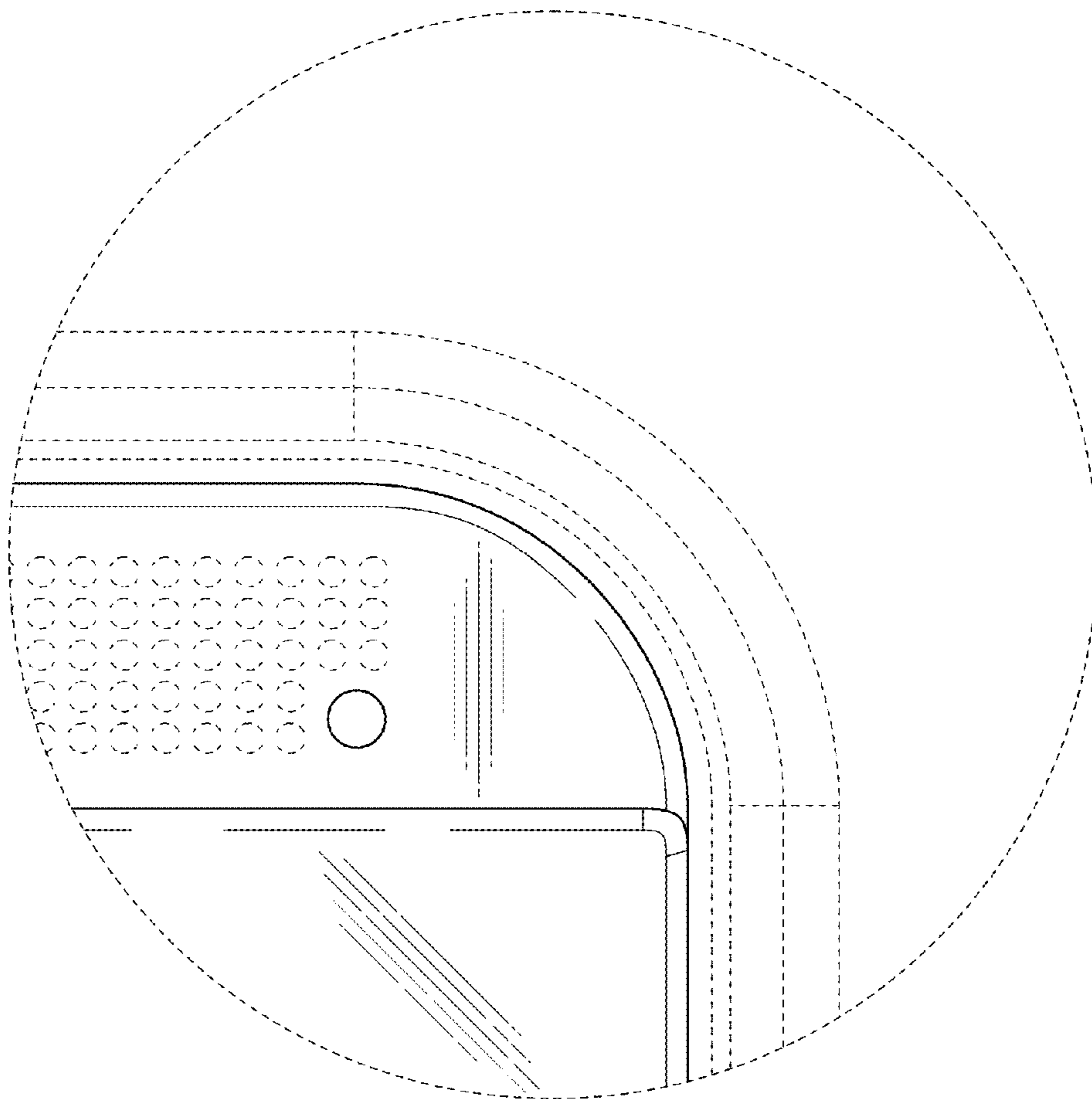


FIG. 8

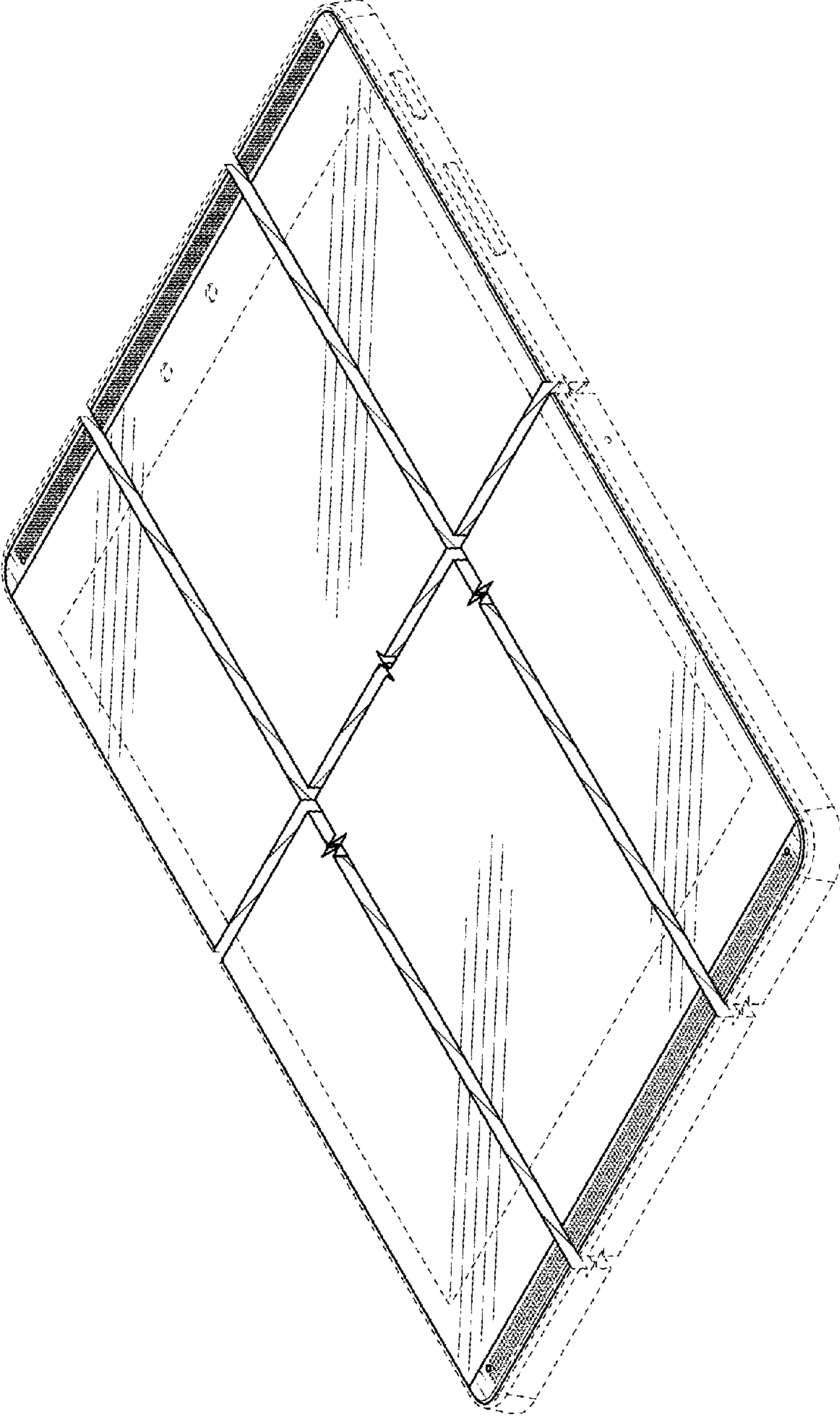


FIG. 9

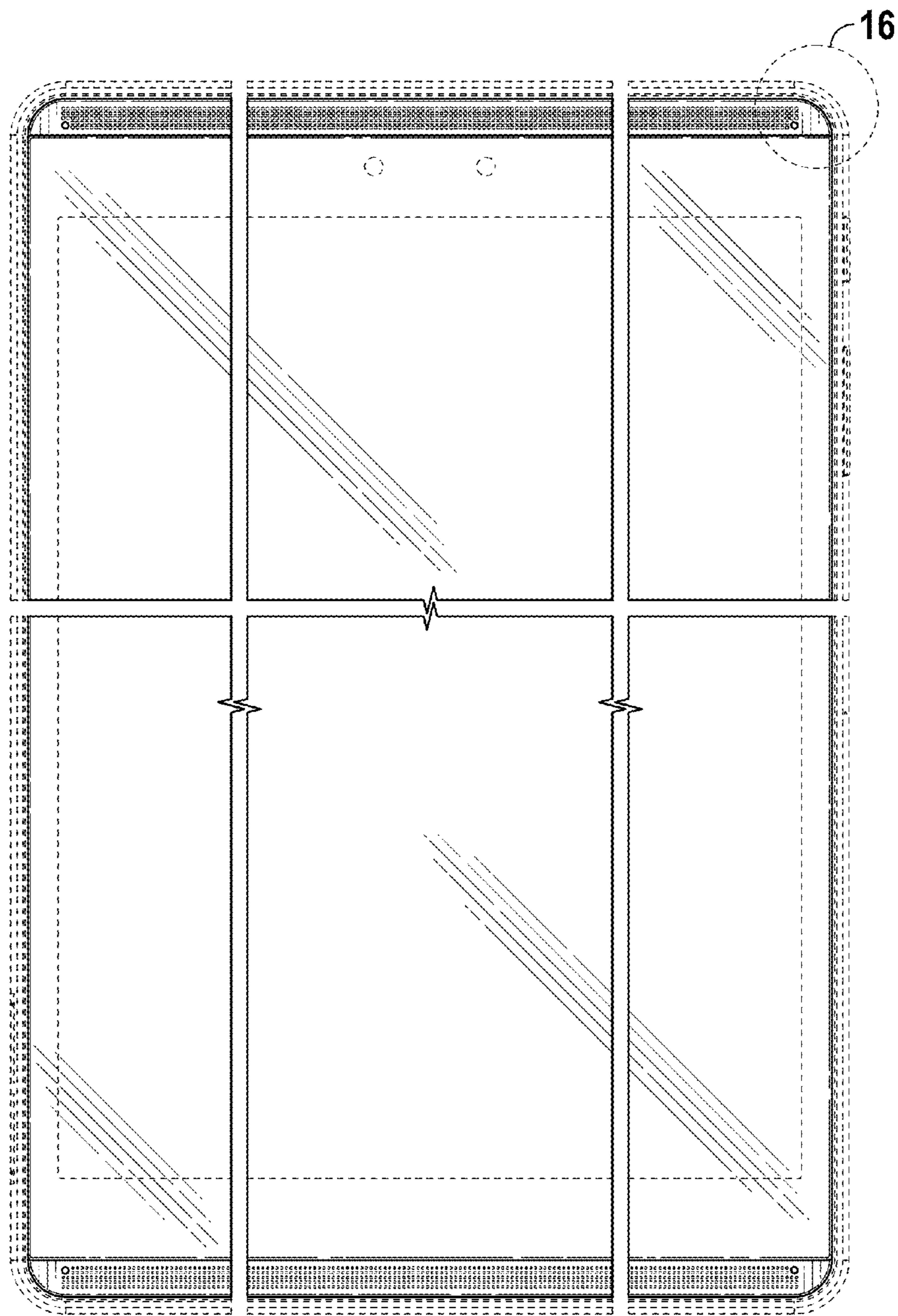


FIG. 10

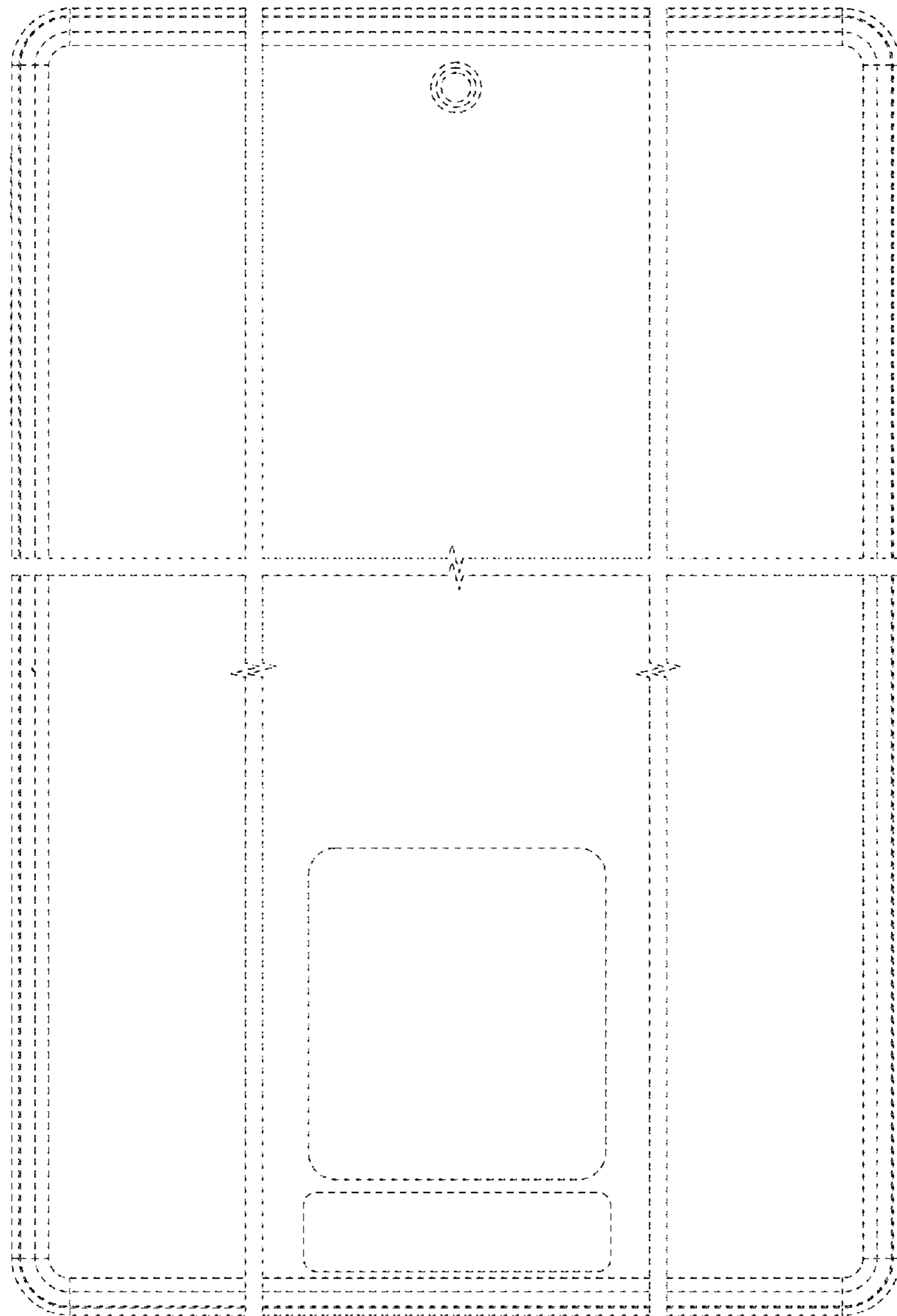


FIG. 11



FIG. 12



FIG. 13

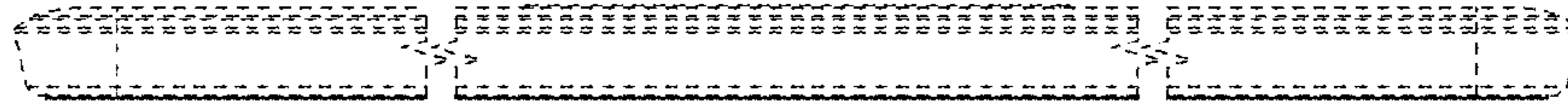


FIG. 14



FIG. 15

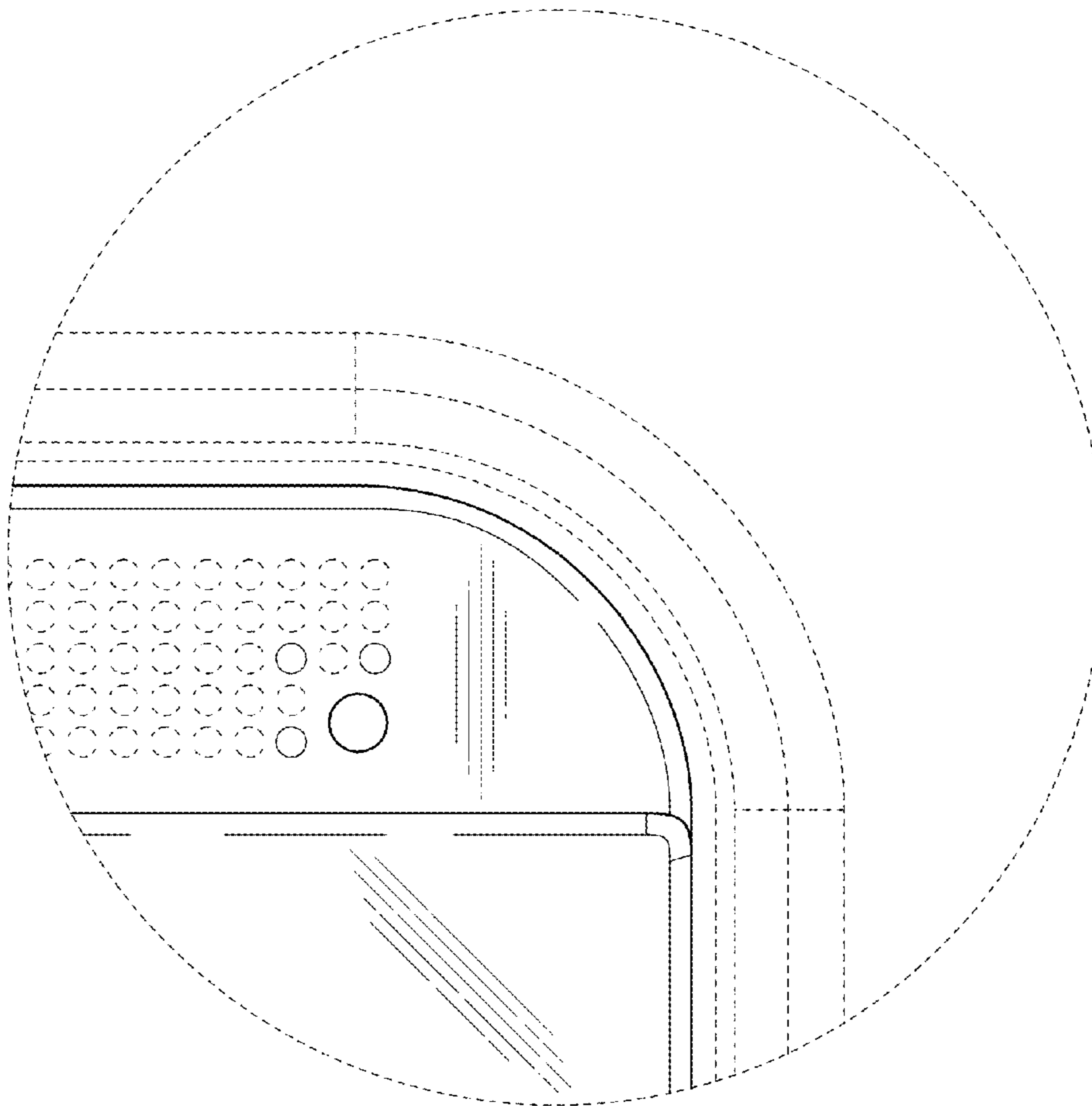


FIG. 16