



US00D752035S

(12) **United States Design Patent**  
**Akana et al.**

(10) **Patent No.:** **US D752,035 S**  
(45) **Date of Patent:** **\*\* Mar. 22, 2016**

(54) **ELECTRONIC DEVICE**

(71) Applicant: **Apple Inc.**, Cupertino, CA (US)  
(72) Inventors: **Jody Akana**, San Francisco, CA (US);  
**Bartley K. Andre**, Palo Alto, CA (US);  
**Jeremy Bataillou**, San Francisco, CA (US);  
**Daniel J. Coster**, San Francisco, CA (US);  
**Daniele De Iuliis**, San Francisco, CA (US);  
**M. Evans Hankey**, San Francisco, CA (US);  
**Julian Hoenig**, San Francisco, CA (US);  
**Richard P. Howarth**, San Francisco, CA (US);  
**Jonathan P. Ive**, San Francisco, CA (US);  
**Duncan Robert Kerr**, San Francisco, CA (US);  
**Shin Nishibori**, Kailua, HI (US);  
**Matthew Dean Rohrbach**, San Francisco, CA (US);  
**Peter Russell-Clarke**, San Francisco, CA (US);  
**Christopher J. Stringer**, Woodside, CA (US);  
**Eugene Antony Whang**, San Francisco, CA (US);  
**Rico Zörkendörfer**, San Francisco, CA (US)

(73) Assignee: **Apple Inc.**, Cupertino, CA (US)

(\*\*) Term: **14 Years**

(21) Appl. No.: **29/497,123**

(22) Filed: **Jul. 21, 2014**

**Related U.S. Application Data**

(62) Division of application No. 29/431,443, filed on Sep. 7, 2012, now Pat. No. Des. 712,397.

(51) **LOC (10) Cl.** ..... **14-02**

(52) **U.S. Cl.**  
USPC ..... **D14/336**; D14/374

(58) **Field of Classification Search**  
USPC ..... D14/371–376, 125–129, 336, 337;  
248/917–924, 371, 121, 176.1, 278.1;  
341/12; 345/104, 156, 173, 174,  
345/901–905; 348/180, 184, 352, 739;  
349/1, 2, 11, 62; 361/679.06–679.08,  
361/679.21, 679.22

CPC ..... G06F 1/16; G06F 1/1601; G06F 3/037;  
G06F 1/162

See application file for complete search history.

(56) **References Cited**

U.S. PATENT DOCUMENTS

D434,763 S 12/2000 Jobs et al.  
D456,023 S 4/2002 Andre et al.

(Continued)

OTHER PUBLICATIONS

U.S. Appl. No. 29/432,920 of Jody Akana et al. titled “Enclosure,” filed Sep. 22, 2012, amended Sep. 27, 2013, Oct. 2, 2013 and Feb. 10, 2014.

(Continued)

*Primary Examiner* — Freda S Nunn

(74) *Attorney, Agent, or Firm* — Saidman DesignLaw Group, LLC

(57) **CLAIM**

The ornamental design for an electronic device, as shown and described.

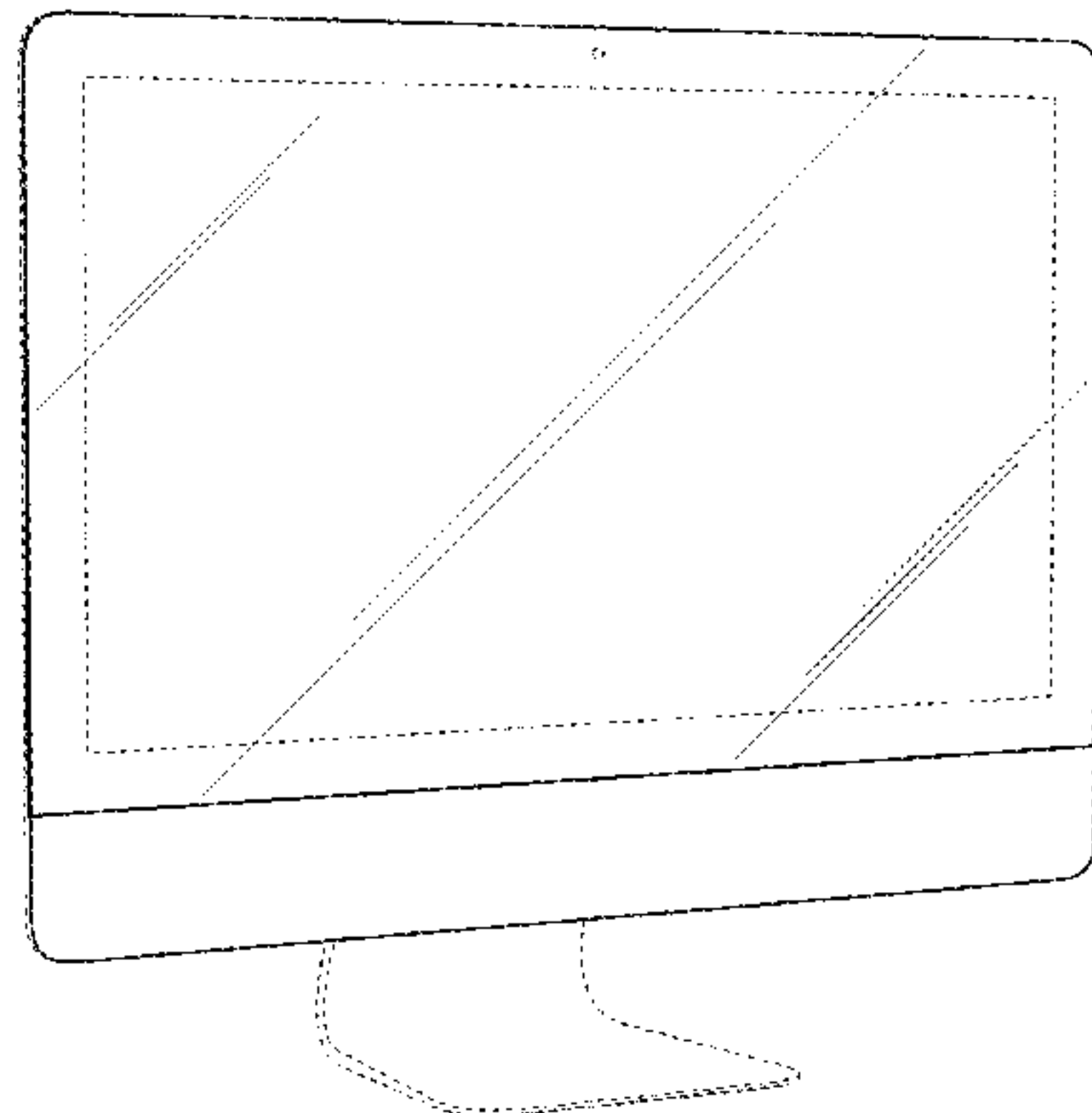
**DESCRIPTION**

FIG. 1 is a perspective view of an electronic device showing our new design;  
FIG. 2 is a rear perspective view thereof;  
FIG. 3 is another rear perspective view thereof;  
FIG. 4 is a front view thereof;  
FIG. 5 is a rear view thereof;  
FIG. 6 is a left side view thereof;  
FIG. 7 is a right side view thereof;  
FIG. 8 is a top view thereof;  
FIG. 9 is a bottom view thereof;  
FIG. 10 is a perspective view of a second embodiment thereof;  
FIG. 11 is a rear perspective view thereof;  
FIG. 12 is another rear perspective view thereof;  
FIG. 13 is a front view thereof;  
FIG. 14 is a rear view thereof;  
FIG. 15 is a left side view thereof;  
FIG. 16 is a right side view thereof;  
FIG. 17 is a top view thereof; and,  
FIG. 18 is a bottom view thereof.

The broken lines illustrate environmental structure and form no part of the claimed design.

The relatively light shade lines on the surface portions indicate contour and not surface decoration.

**1 Claim, 11 Drawing Sheets**



(56)

**References Cited**

U.S. PATENT DOCUMENTS

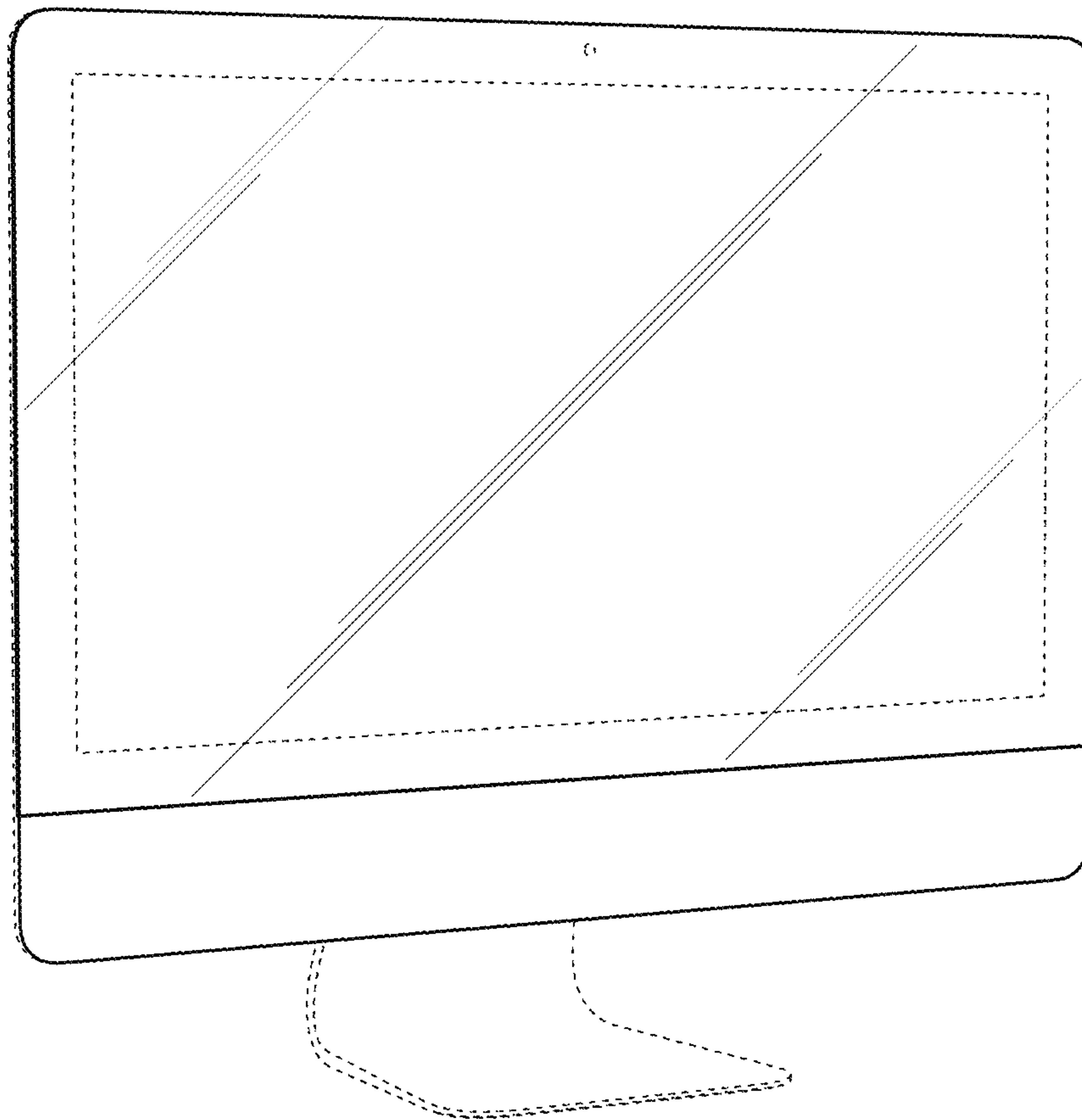
D504,889 S 5/2005 Andre et al.  
 D531,631 S 11/2006 Andre et al.  
 D532,011 S 11/2006 Andre et al.  
 D541,799 S 5/2007 Andre et al.  
 D556,755 S 12/2007 Lee et al.  
 D564,465 S 3/2008 Onoda  
 D577,694 S 9/2008 Shih et al.  
 D585,034 S 1/2009 Chu  
 D600,696 S 9/2009 Andre et al.  
 D604,733 S 11/2009 Andre et al.  
 D605,193 S 12/2009 Andre et al.  
 D609,705 S 2/2010 Andre et al.  
 D610,138 S 2/2010 Andre et al.  
 D618,241 S 6/2010 Akana et al.  
 D618,242 S 6/2010 Akana et al.  
 D620,932 S 8/2010 Andre et al.  
 D621,830 S 8/2010 Andre et al.  
 D621,833 S 8/2010 Chang et al.  
 D621,841 S 8/2010 Andre et al.  
 D630,210 S 1/2011 Andre et al.  
 D638,013 S 5/2011 Andre et al.  
 D651,602 S 1/2012 Andre et al.  
 D651,607 S 1/2012 Akana et al.

D656,501 S 3/2012 Andre et al.  
 D658,190 S 4/2012 Akana et al.  
 D658,646 S 5/2012 Akana et al.  
 D661,305 S 6/2012 Andre et al.  
 D661,311 S 6/2012 Akana et al.  
 D677,257 S 3/2013 Andre et al.  
 D684,572 S 6/2013 Akana et al.  
 D684,581 S 6/2013 Akana et al.  
 D691,606 S 10/2013 Andre et al.  
 D694,250 S 11/2013 Andre et al.  
 2003/0058372 A1 3/2003 Williams et al.  
 2009/0268108 A1\* 10/2009 Hamada ..... 348/836

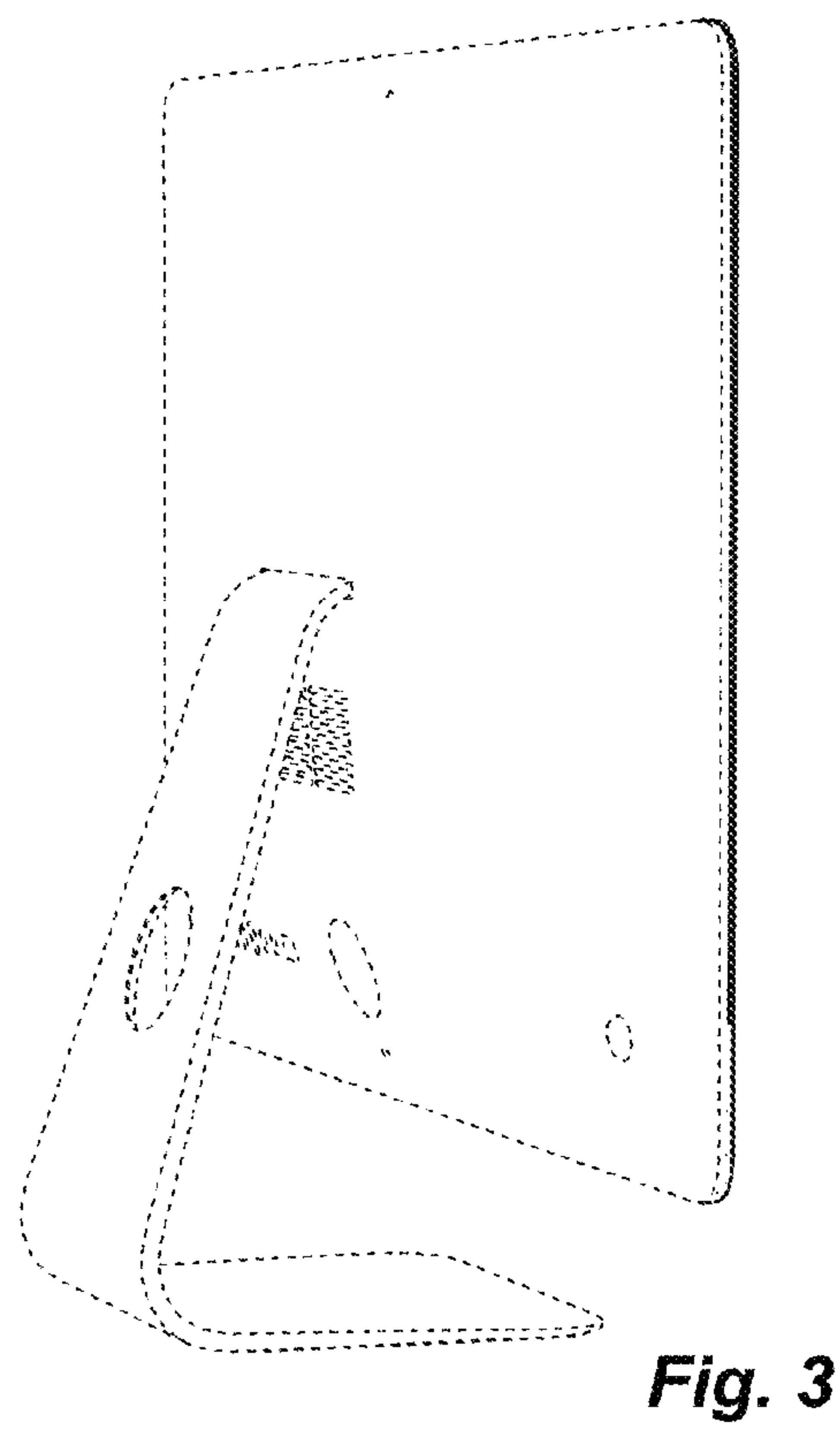
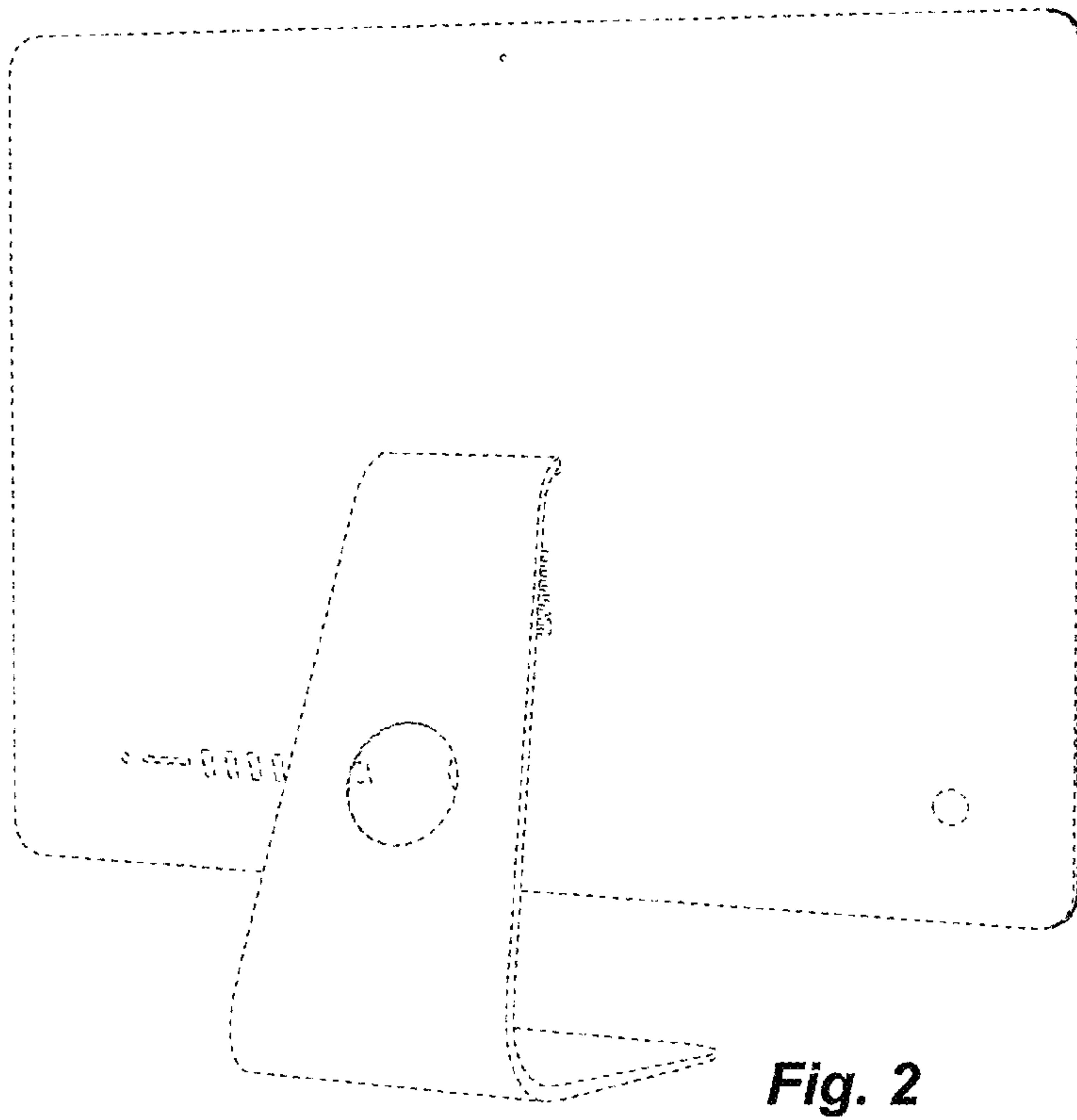
OTHER PUBLICATIONS

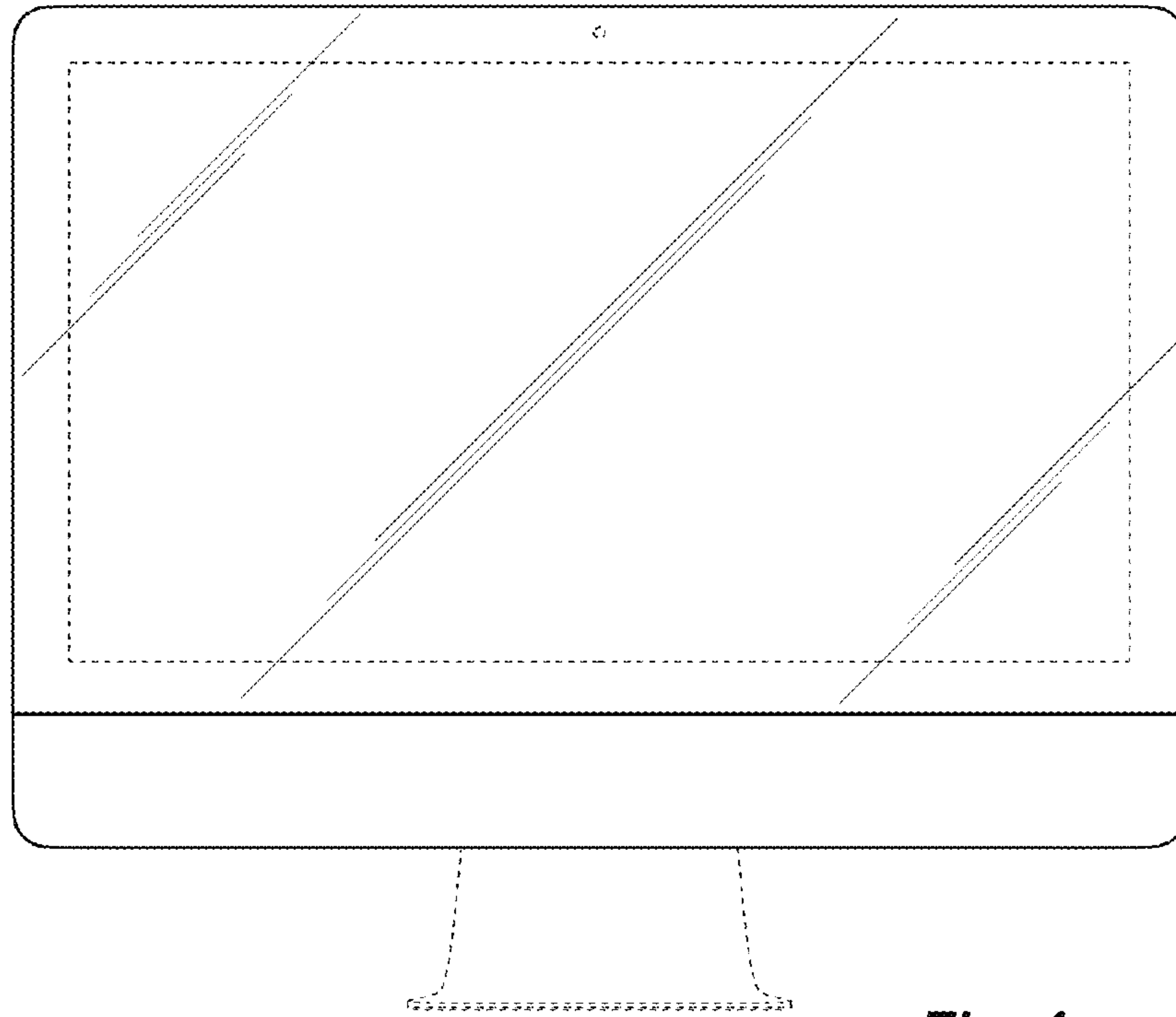
U.S. Appl. No. 29/432,919 of Jody Akana et al. titled "Electronic Device," filed Sep. 22, 2012, amended Oct. 2, 2013 and Dec. 9, 2013.  
 U.S. Appl. No. 29/435,386 of Jody Akana et al. titled "Electronic Device," filed Oct. 23, 2012, amended Mar. 31, 2014.  
 U.S. Appl. No. 29/455,075 of Jody Akana et al. titled "Electronic Device," filed May 16, 2013.  
 U.S. Appl. No. 29/455,071 of Jody Akana et al. titled "Electronic Device," filed May 16, 2013.  
 U.S. Appl. No. 29/468,395 of Bartley K. Andre et al. titled "Computer," filed Sep. 30, 2013.

\* cited by examiner

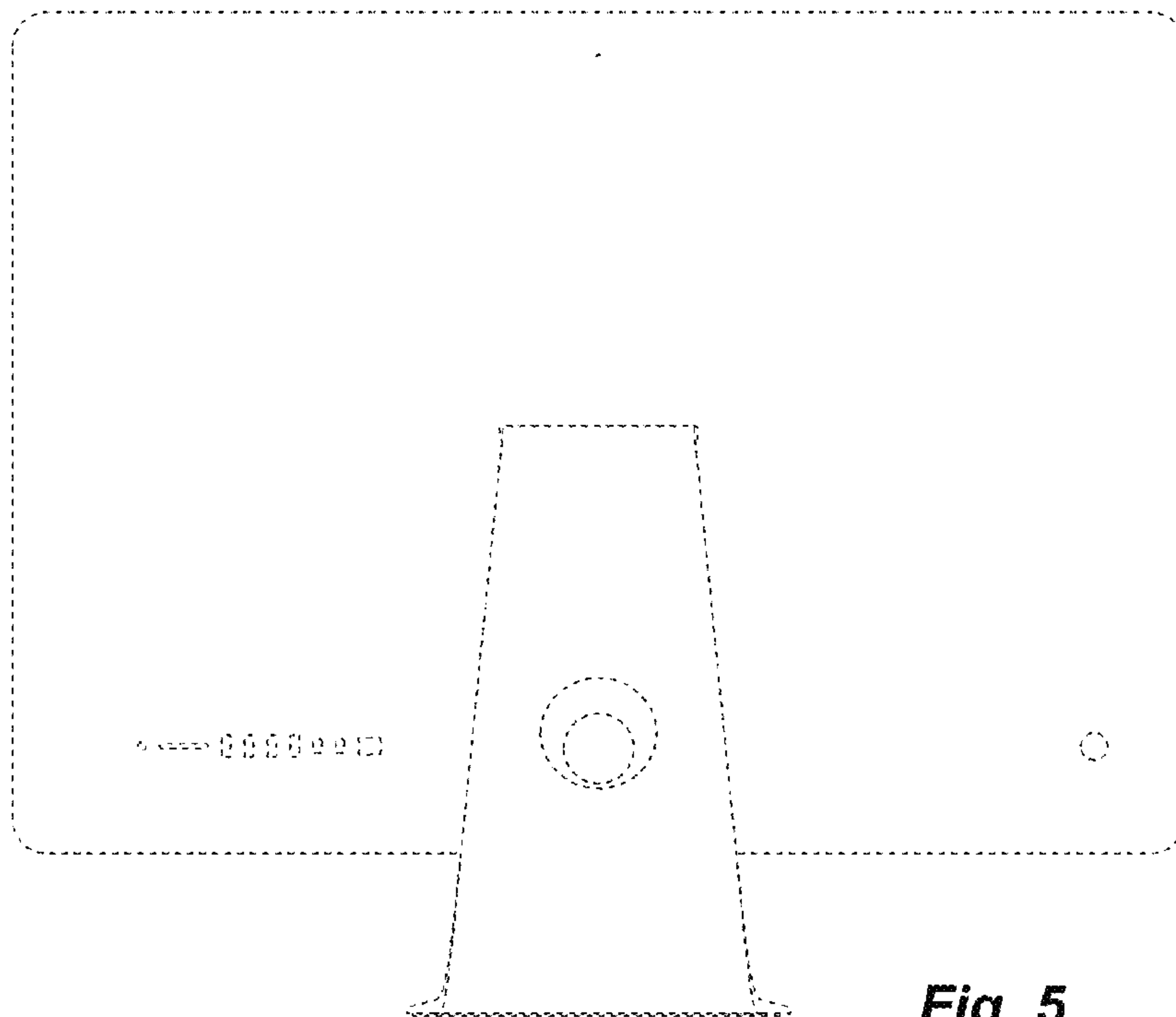


**Fig. 1**

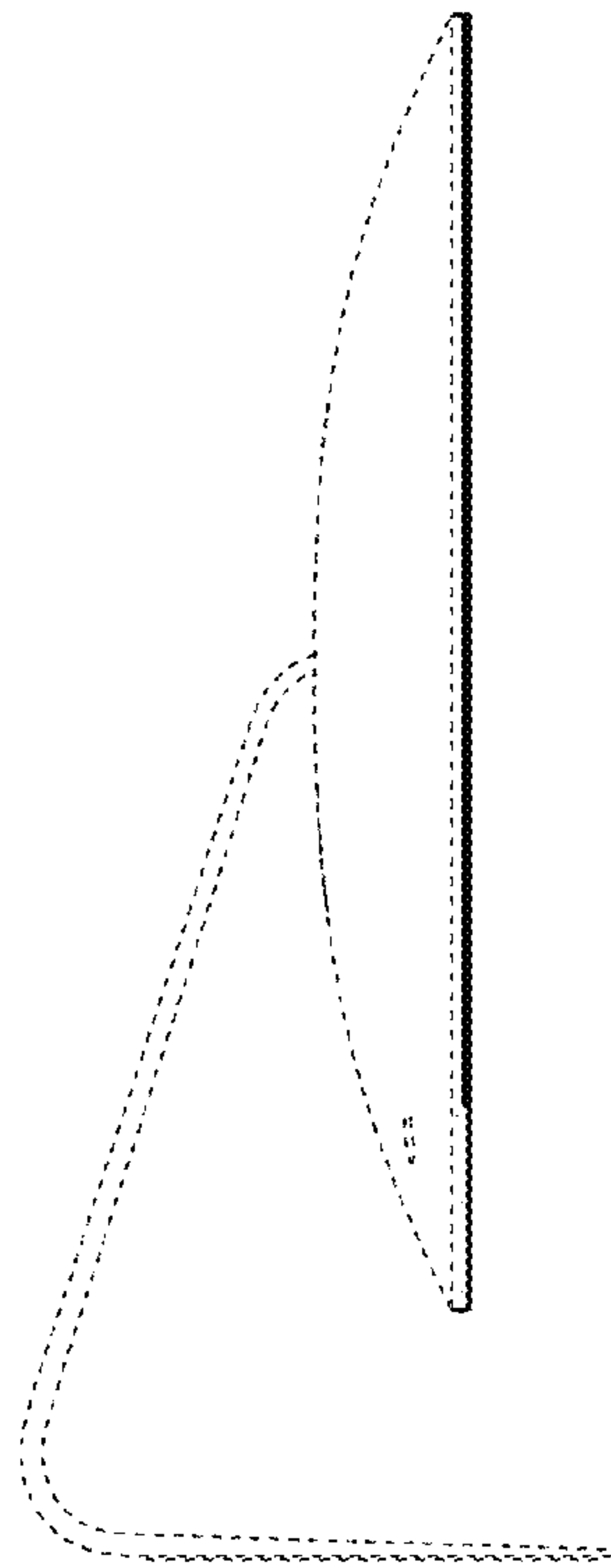




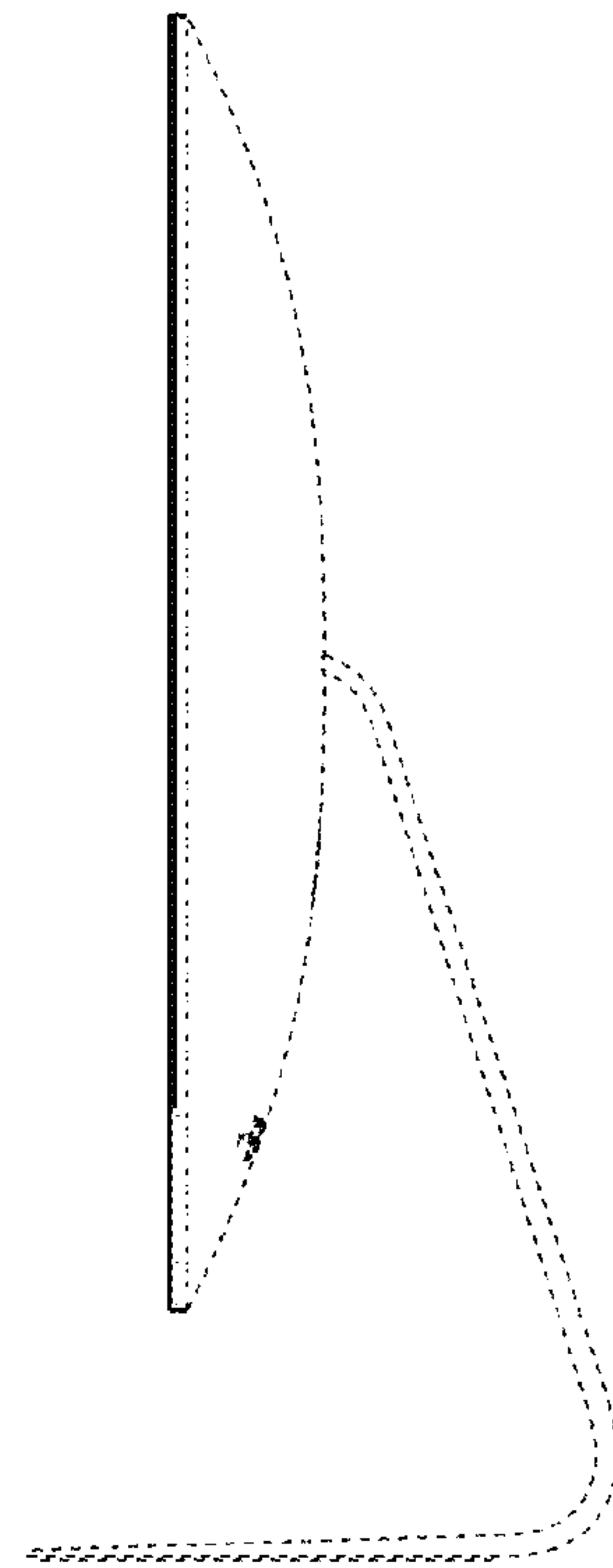
**Fig. 4**



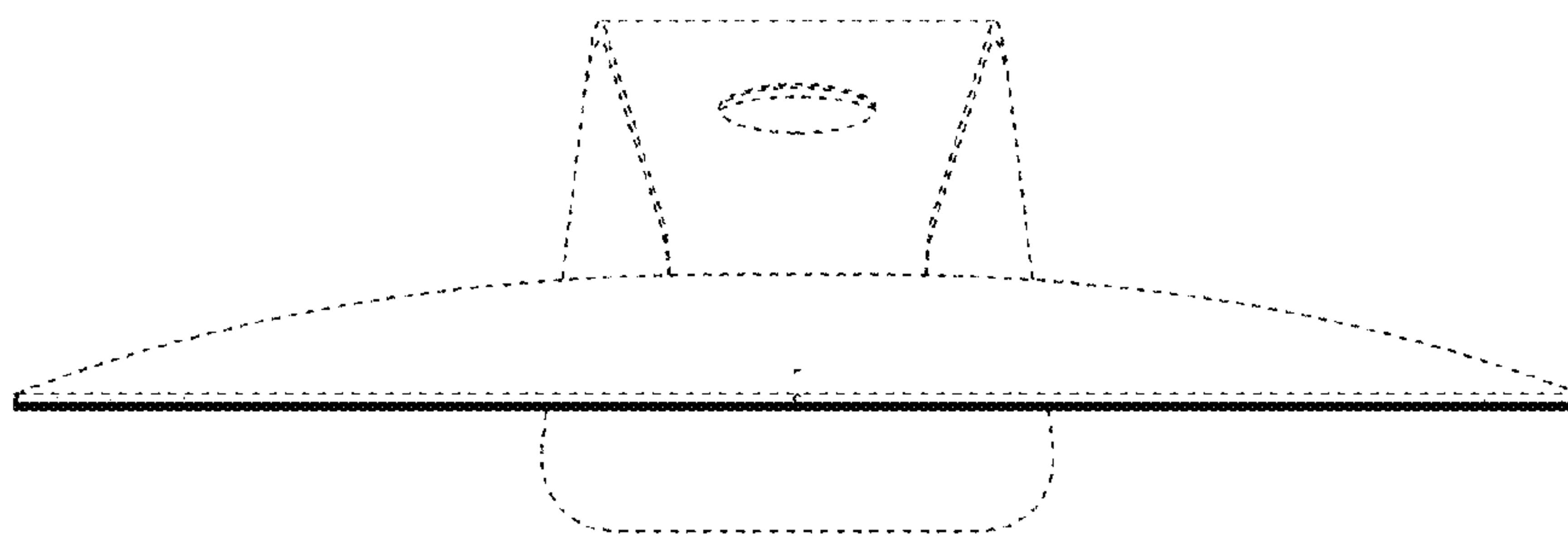
**Fig. 5**



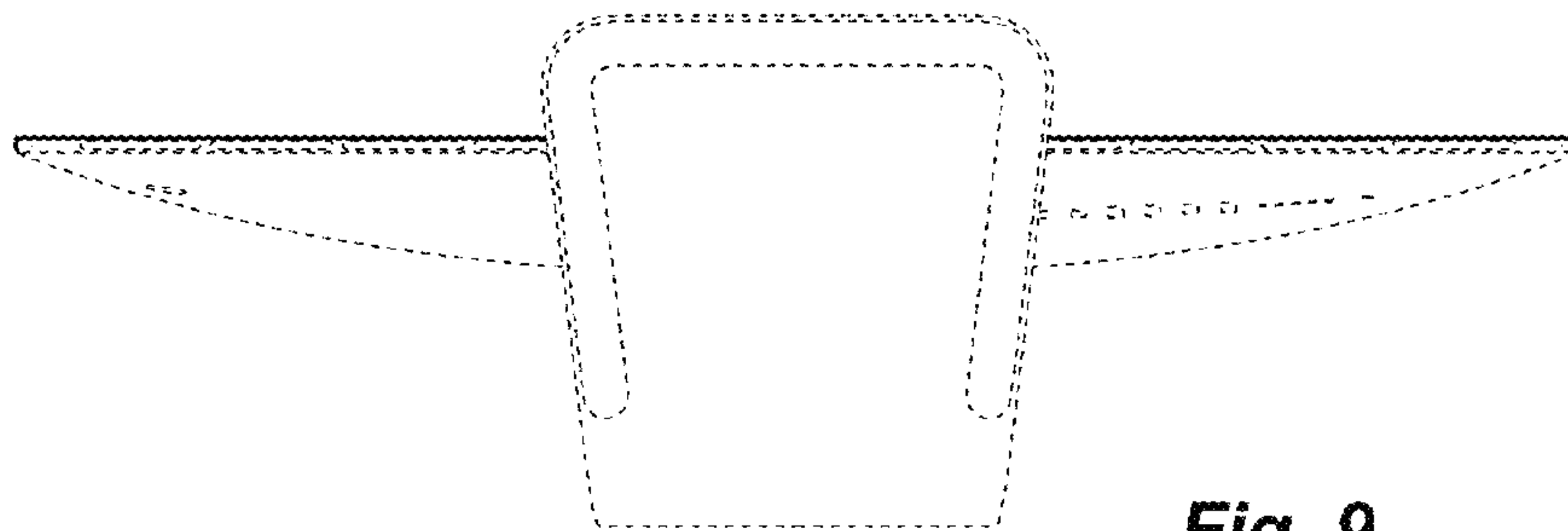
**Fig. 6**



**Fig. 7**

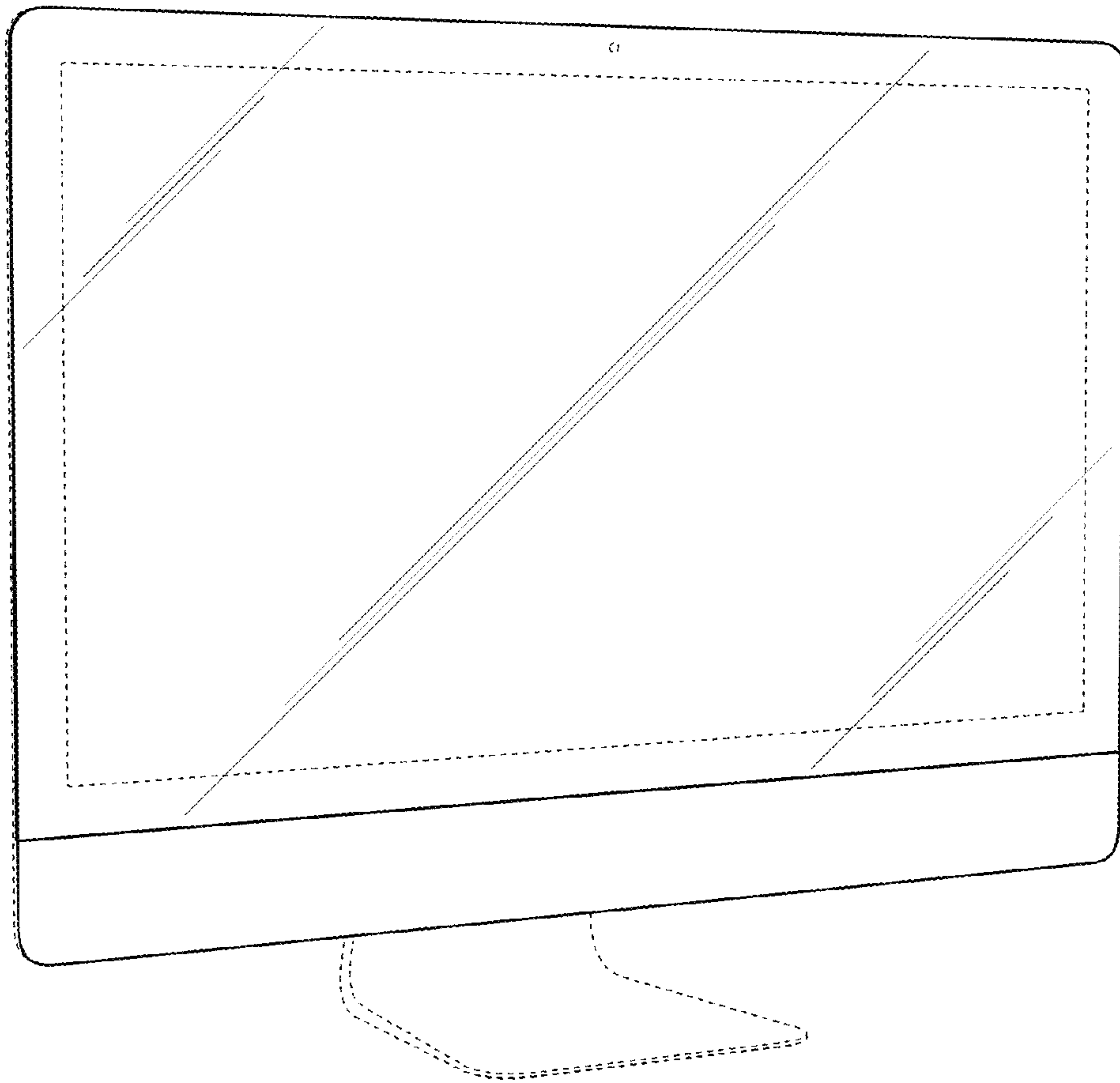


**Fig. 8**

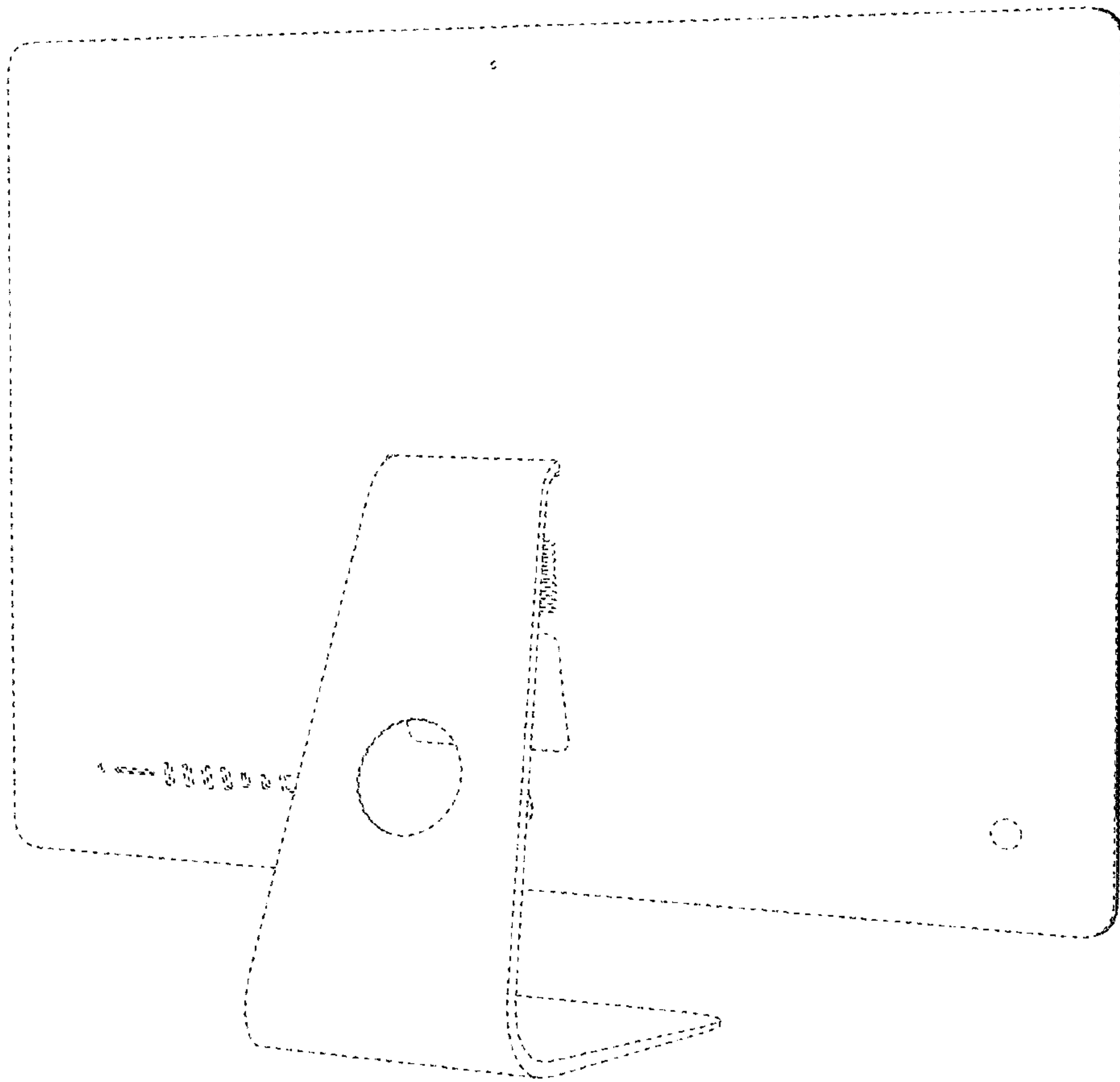


**Fig. 9**



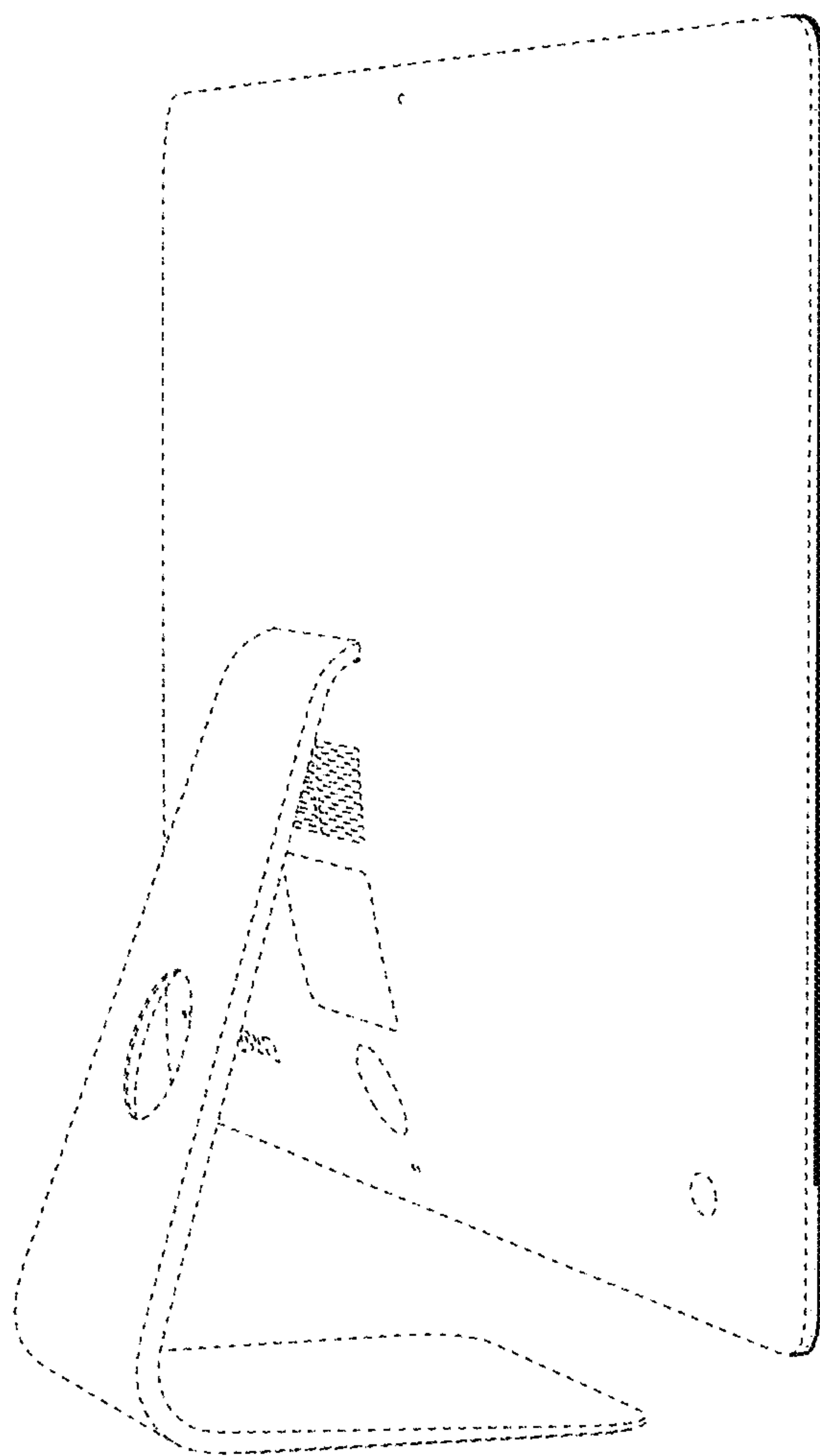


**Fig. 10**

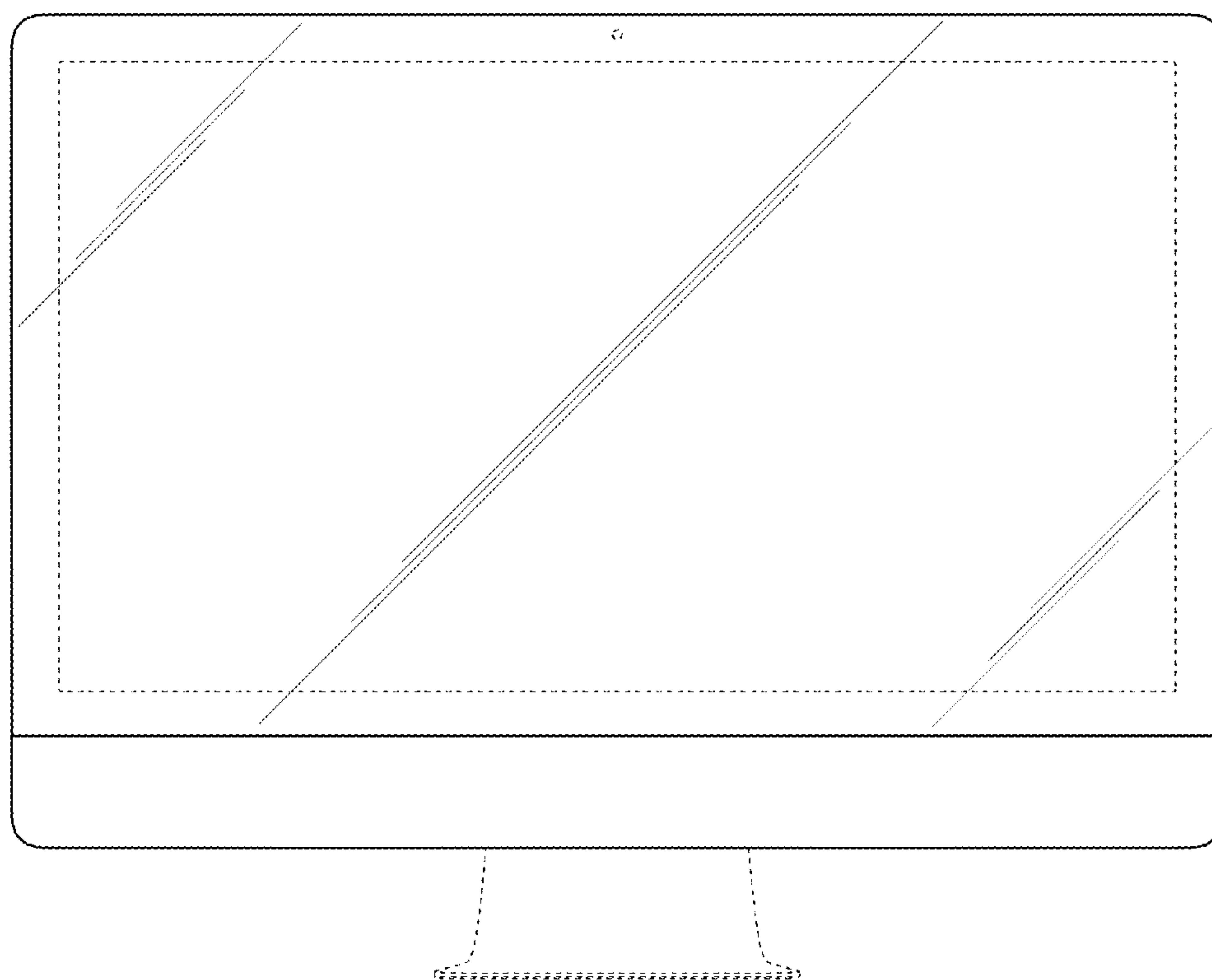


**Fig. 11**

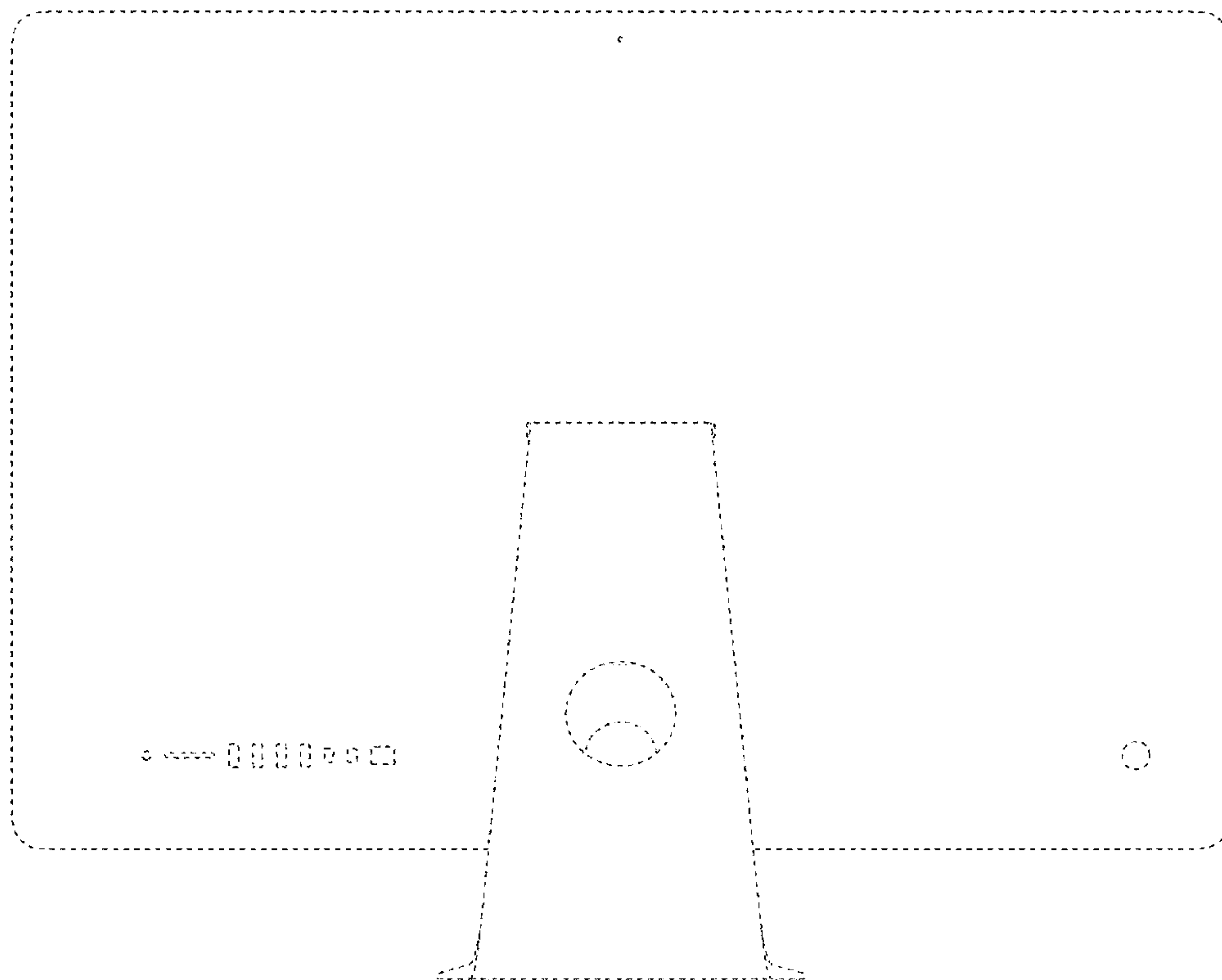




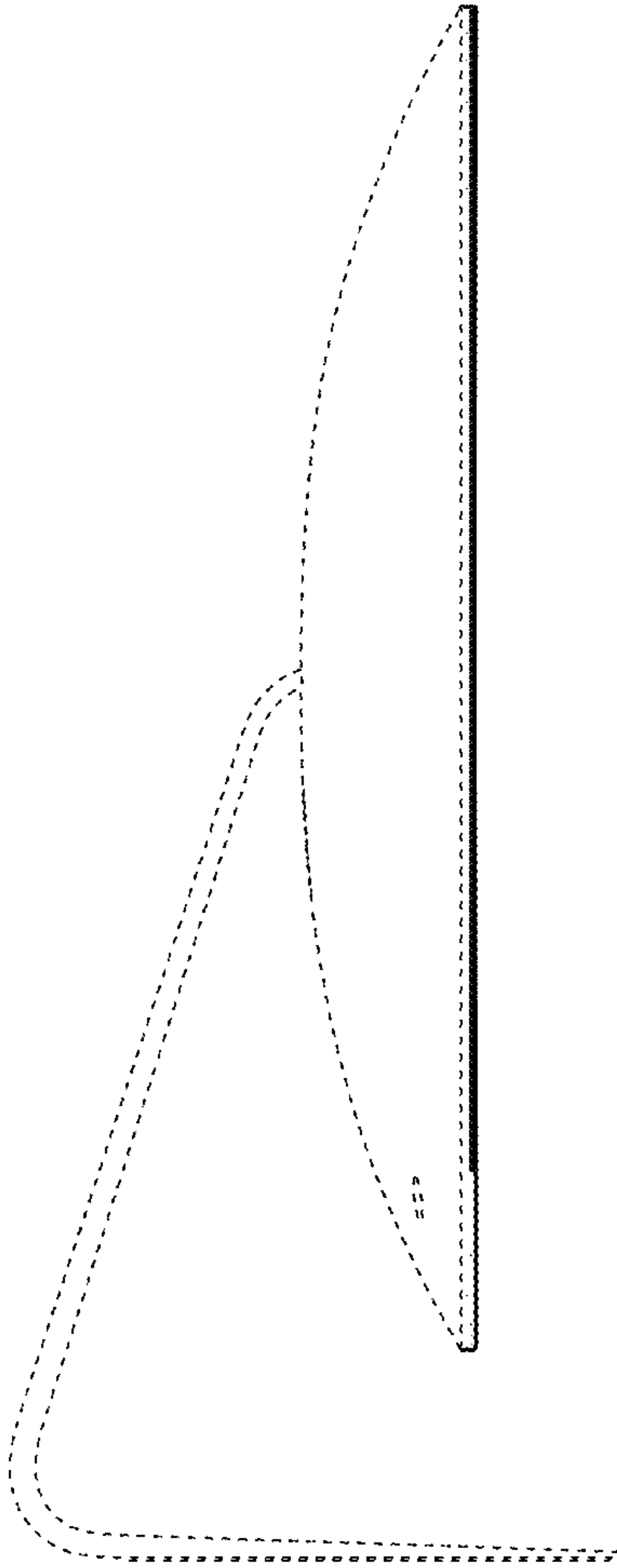
**Fig. 12**



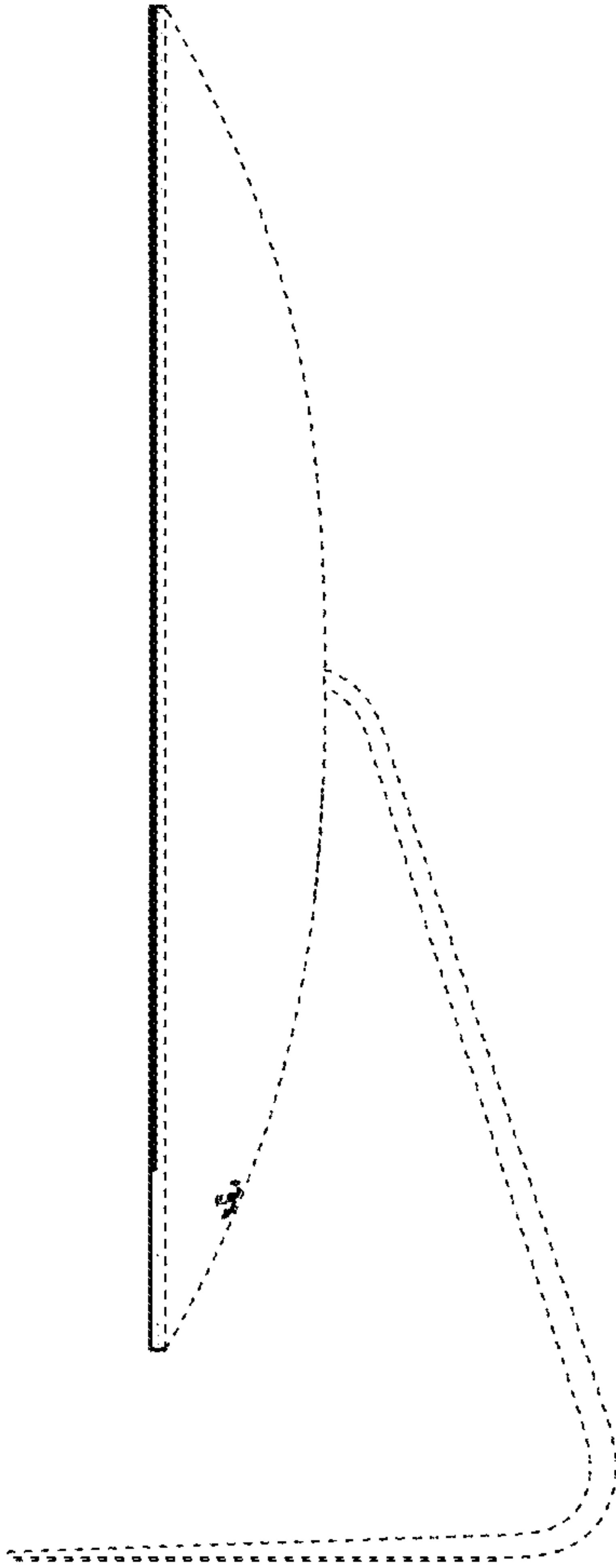
**Fig. 13**



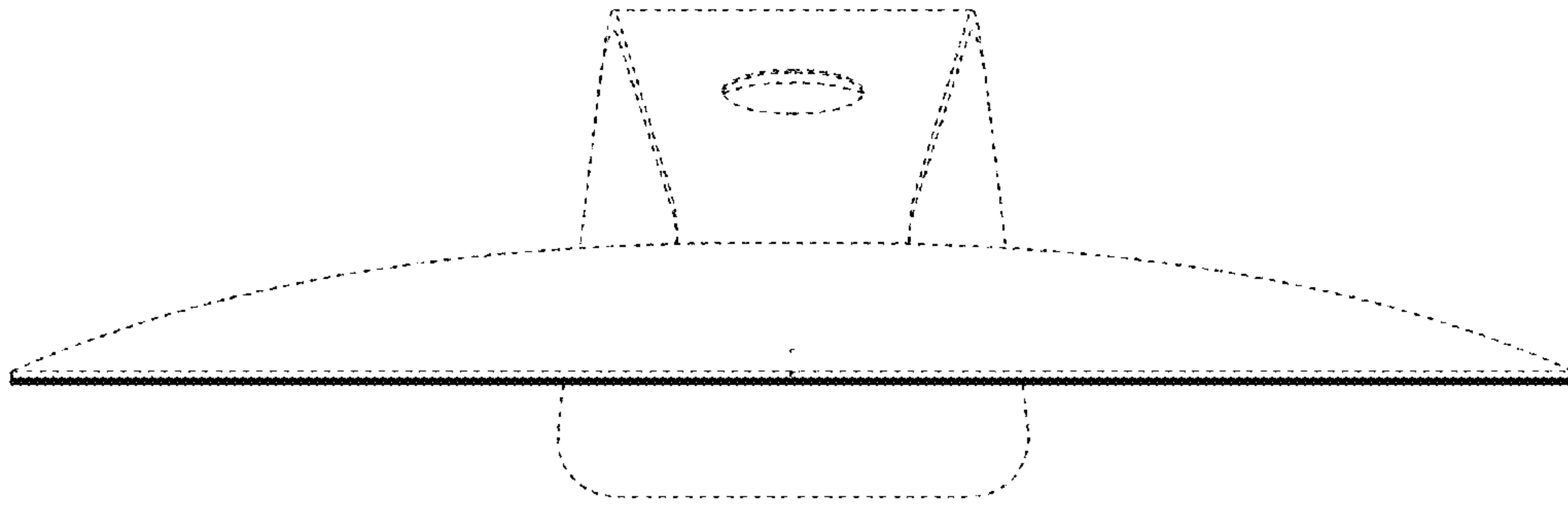
**Fig. 14**



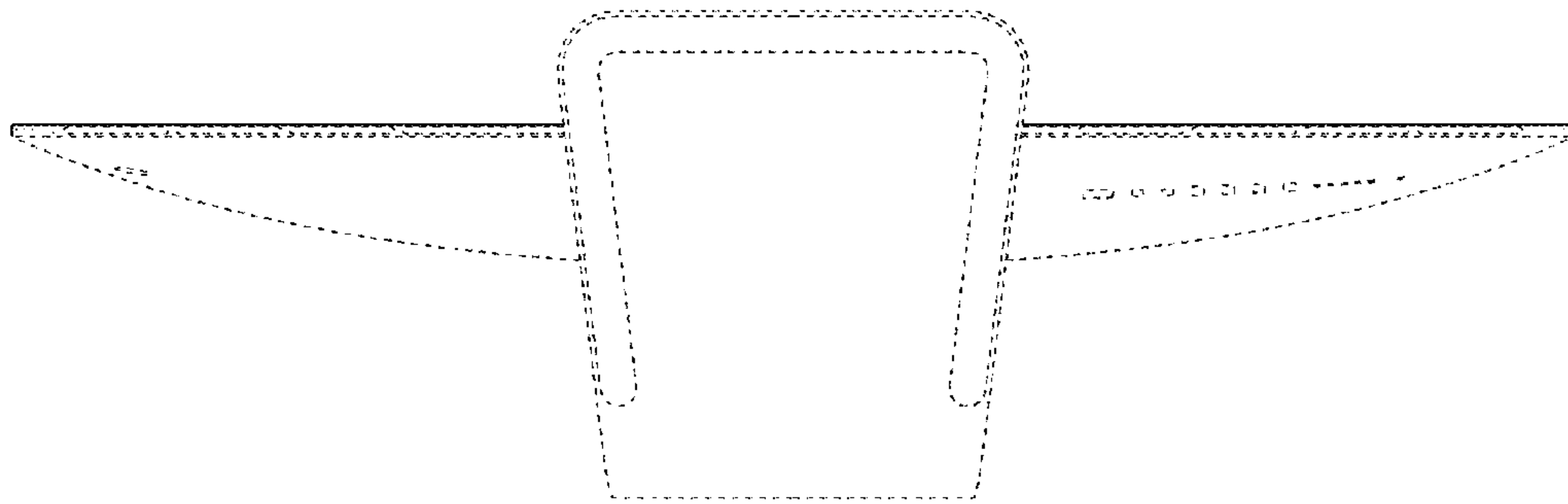
**Fig. 15**



**Fig. 16**



**Fig. 17**



**Fig. 18**