



US00D752033S

(12) **United States Design Patent**
Huang

(10) **Patent No.:** **US D752,033 S**
(45) **Date of Patent:** **** Mar. 22, 2016**

(54) **LAPTOP**

(71) Applicant: **MerchSource, LLC**, Irvine, CA (US)

(72) Inventor: **David Huang**, Torrance, CA (US)

(73) Assignee: **MerchSource, LLC**, Irvine, CA (US)

(**) Term: **14 Years**

(21) Appl. No.: **29/510,828**

(22) Filed: **Dec. 3, 2014**

(51) **LOC (10) Cl.** **14-02**

(52) **U.S. Cl.**
USPC **D14/315**

(58) **Field of Classification Search**

USPC D14/315-327; D18/1, 2, 7, 11;
235/145 A, 145 R; 341/22, 23; 345/104,
345/156, 168, 169, 173; 361/679.08,
361/679.09, 679.11, 679.26, 679.27
CPC G06F 1/16; G06F 1/1616; G06F 1/1626;
G06F 1/1632; G06F 1/1613; G06F 1/1601;
G06F 1/1618; G06F 1/162; H01R 35/02;
H03M 11/00; G09B 13/04; H03K 17/94;
G09G 5/00; F16M 11/10

See application file for complete search history.

(56) **References Cited**

U.S. PATENT DOCUMENTS

D428,414 S 7/2000 Okumura
D435,843 S 1/2001 Andre et al.
D487,891 S 3/2004 Yang et al.
D499,725 S 12/2004 Lee
6,847,520 B2 1/2005 Hashimoto
6,870,740 B2 3/2005 Hsu et al.
D521,992 S 5/2006 Morooka et al.

7,181,256 B2 2/2007 Hyun et al.
D551,223 S 9/2007 Luminosu et al.
D564,511 S * 3/2008 Akhtar D14/318
D579,907 S 11/2008 Harmon

(Continued)

Primary Examiner — Freda S Nunn

(74) *Attorney, Agent, or Firm* — Avyno Law P.C.

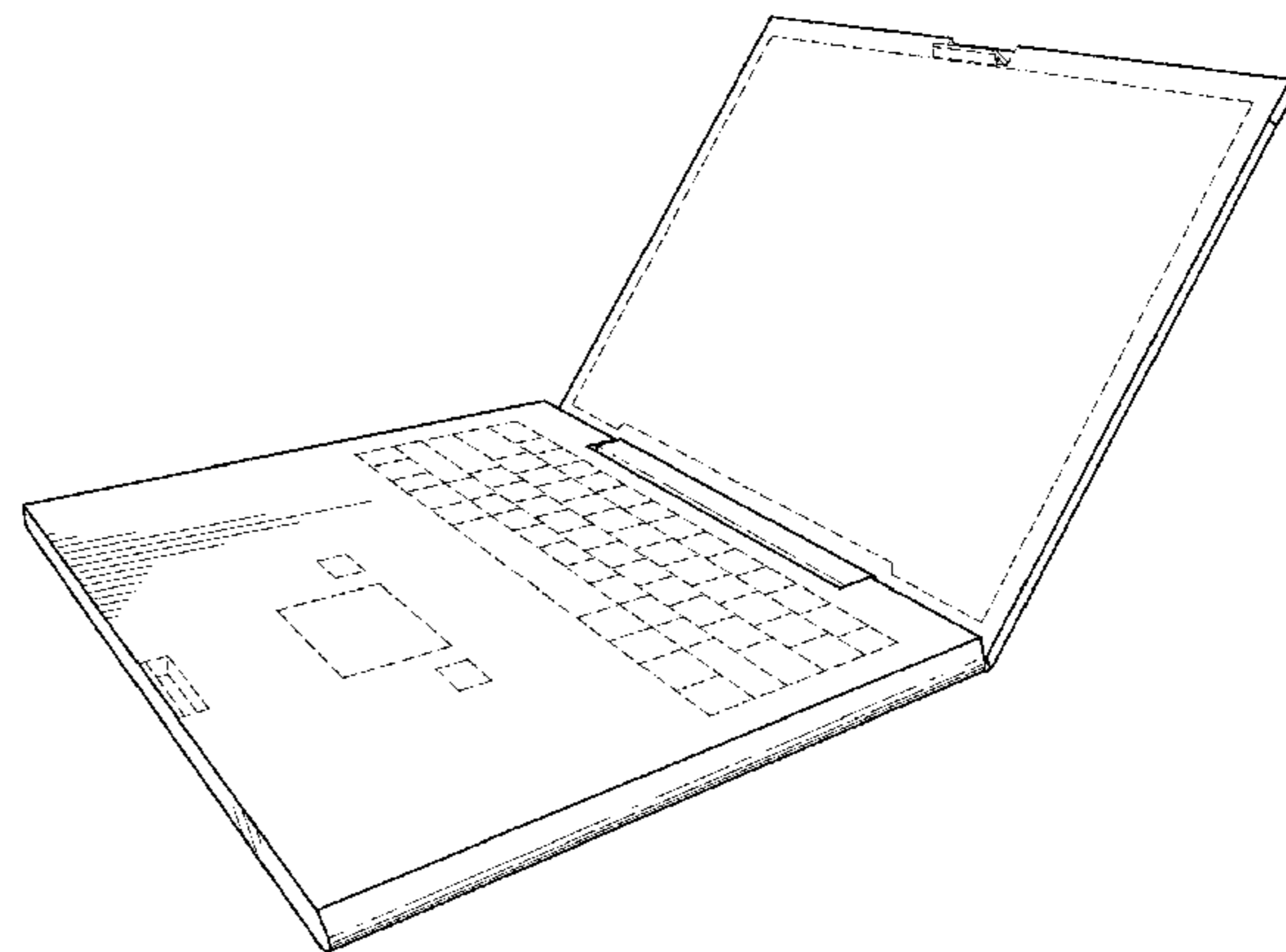
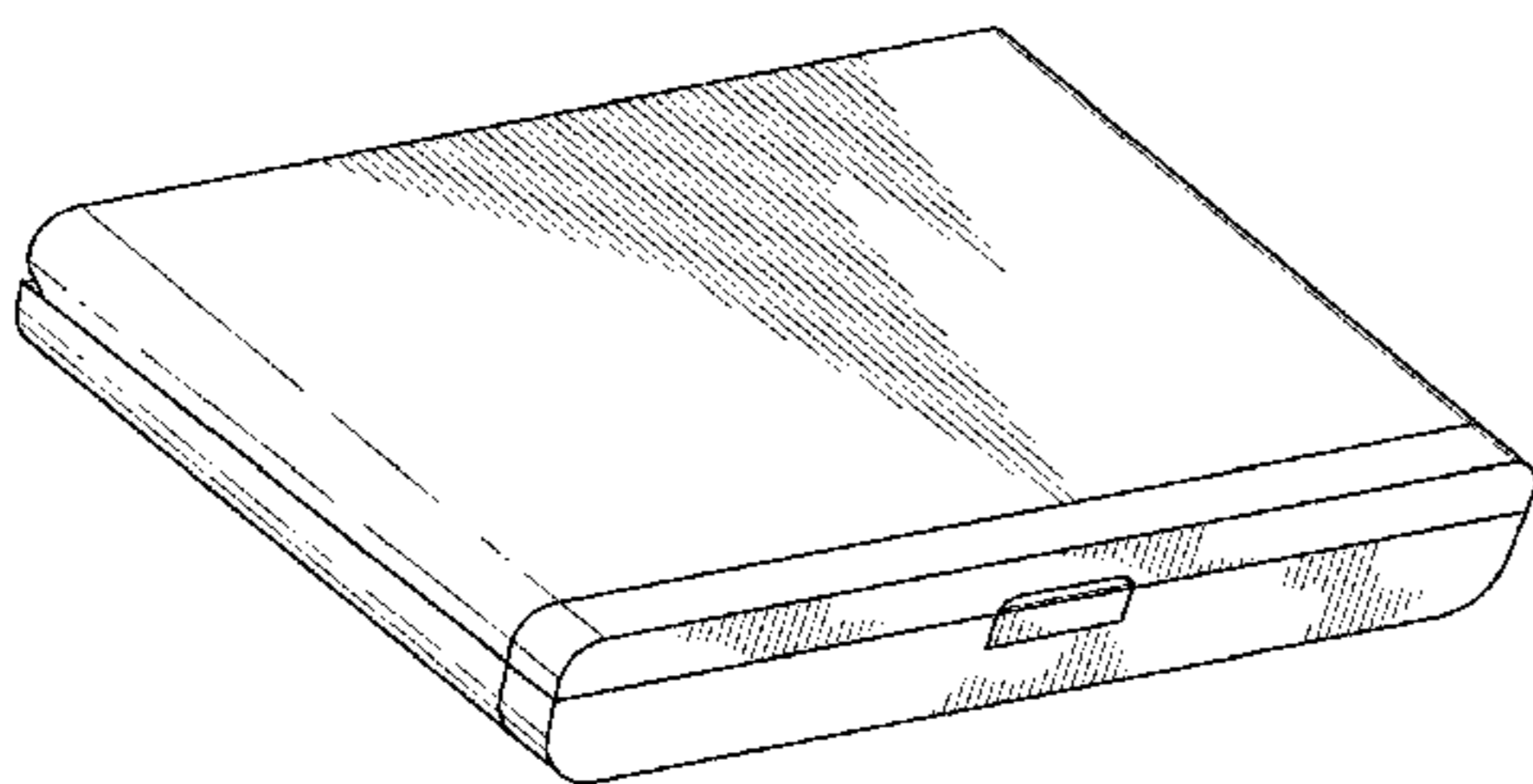
(57) **CLAIM**

I claim the ornamental design for laptop, as shown and described.

DESCRIPTION

FIG. 1 is a front perspective view of a laptop.
FIG. 2 is a rear perspective view of the laptop of FIG. 1.
FIG. 3 is a top view of the laptop of FIG. 1.
FIG. 4 is a front view of the laptop of FIG. 1.
FIG. 5 is a rear view of the laptop of FIG. 1.
FIG. 6 is a bottom view of the laptop of FIG. 1.
FIG. 7 is a side view of the left side of the laptop of FIG. 1.
FIG. 8 is a side view of the right side of the laptop of FIG. 1.
FIG. 9 is an alternate front perspective view of the laptop of FIG. 1 illustrating the laptop in an open position.
FIG. 10 is an alternate rear perspective view of the laptop of FIG. 9.
FIG. 11 is a top view of the laptop of FIG. 9.
FIG. 12 is a bottom view of the laptop of FIG. 9.
FIG. 13 is a front view of the laptop of FIG. 9.
FIG. 14 is a rear view of the laptop of FIG. 9.
FIG. 15 is a side view of the right side of the laptop of FIG. 9; and,
FIG. 16 is a side view of the left side of the laptop of FIG. 9.
The dashed lines in various figures are for illustrative purposes only and form no part of the claimed design.

1 Claim, 11 Drawing Sheets



(56)

References Cited

U.S. PATENT DOCUMENTS

D584,301 S	1/2009	Soetejo et al.	2002/0089819 A1*	7/2002	Misawa	G06F 1/1616 361/679.09
D588,131 S	3/2009	Harmon	2002/0176224 A1*	11/2002	Dhar	G06F 1/162
D595,297 S	6/2009	Morishita et al.	2004/0083577 A1	5/2004	Lu et al.	
D606,535 S	12/2009	Morooka et al.	2006/0146488 A1*	7/2006	Kimmel	G06F 1/1616 361/679.04
2002/0080576 A1*	6/2002	Katagiri	2006/0209503 A1*	9/2006	Bovio	G06F 1/1616 361/679.27

* cited by examiner

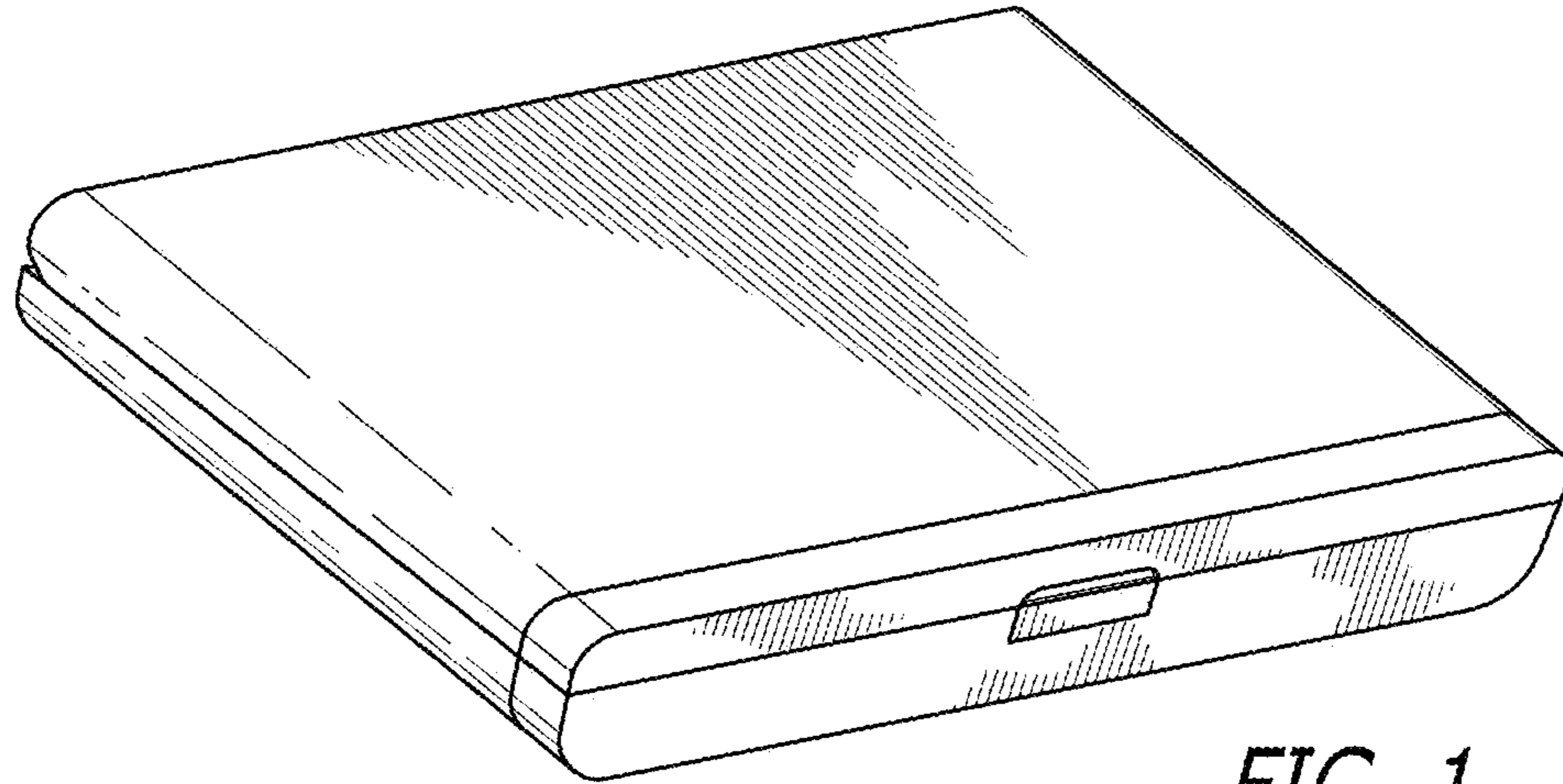


FIG. 1

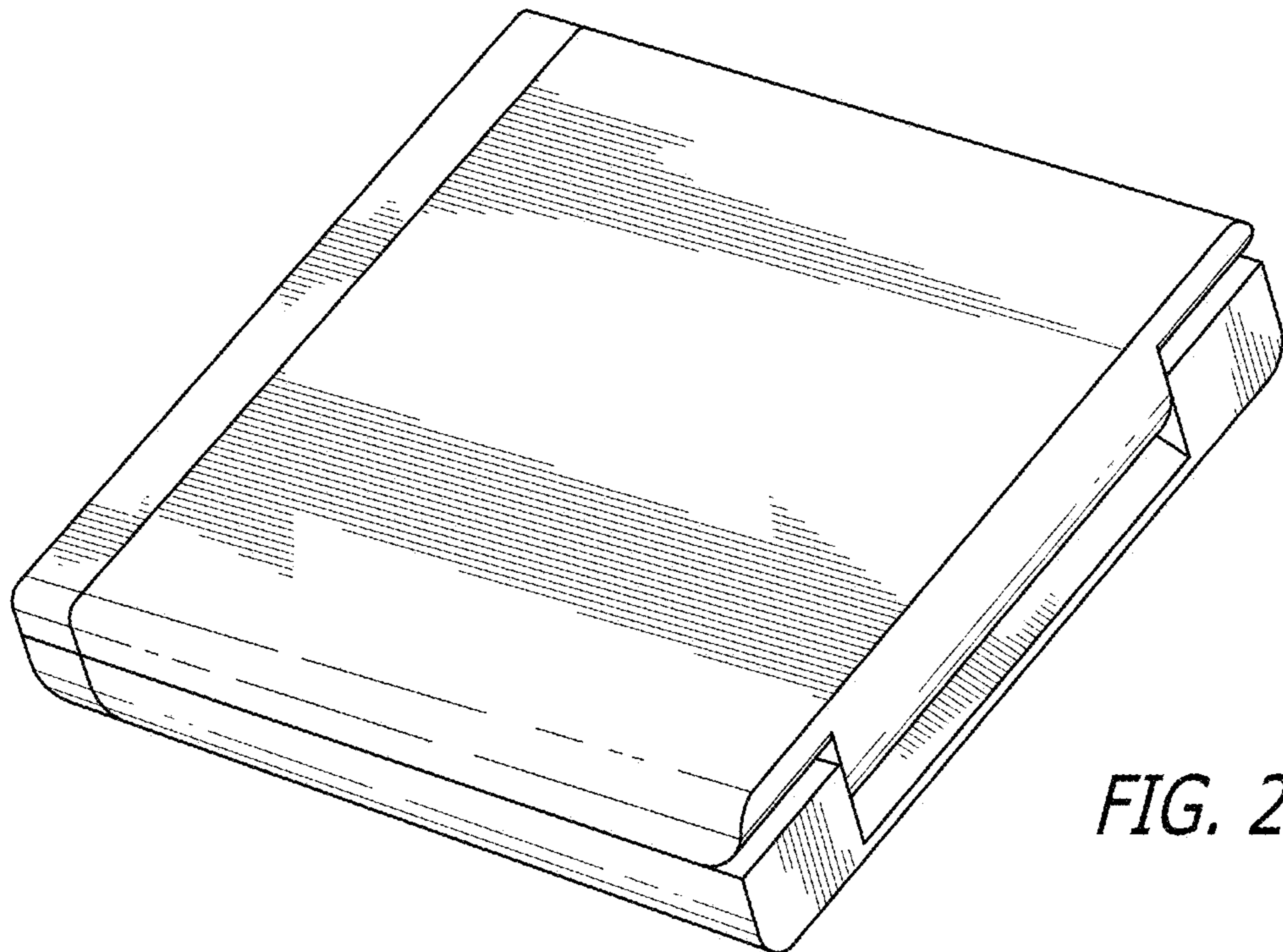


FIG. 2

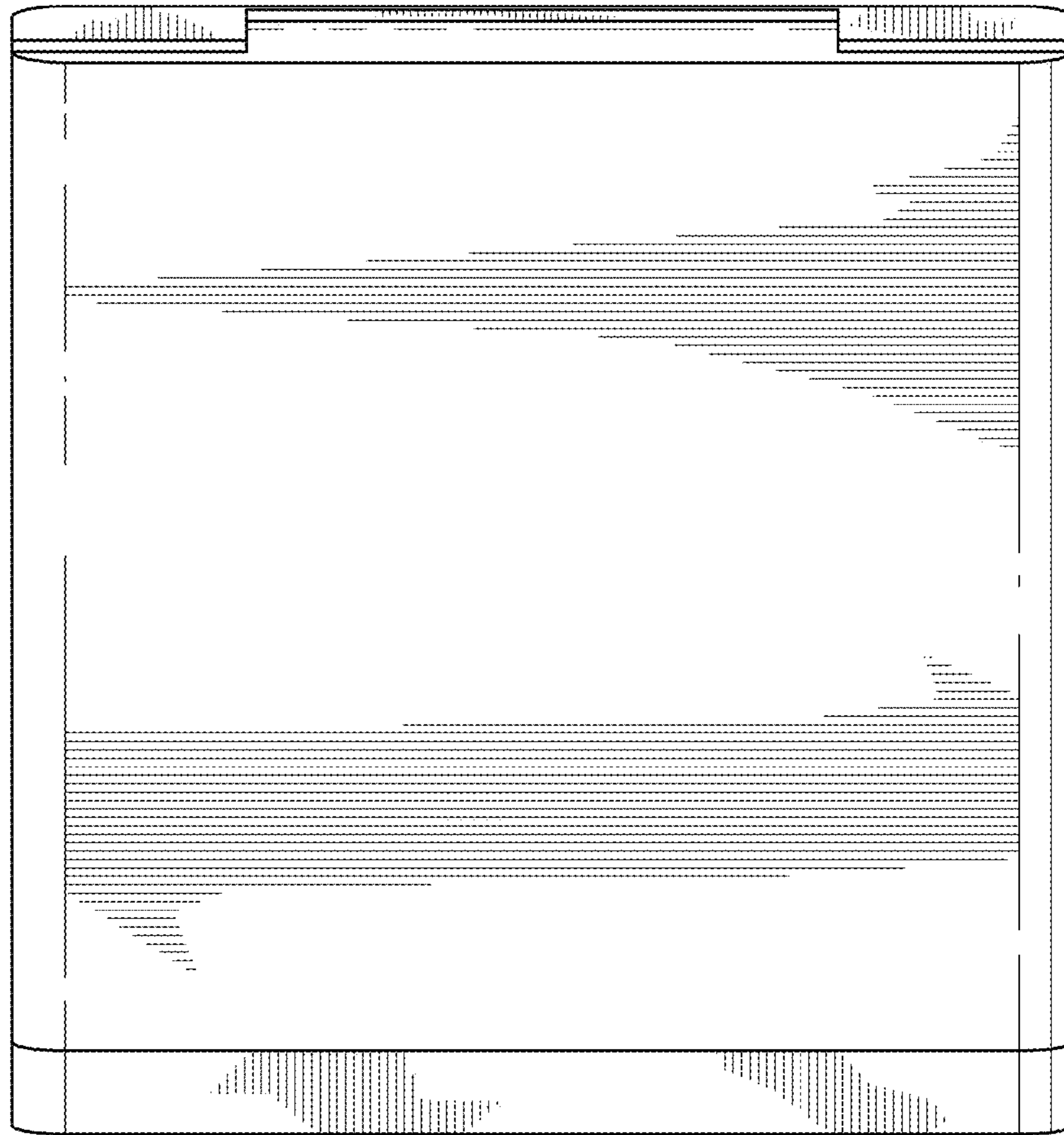


FIG. 3

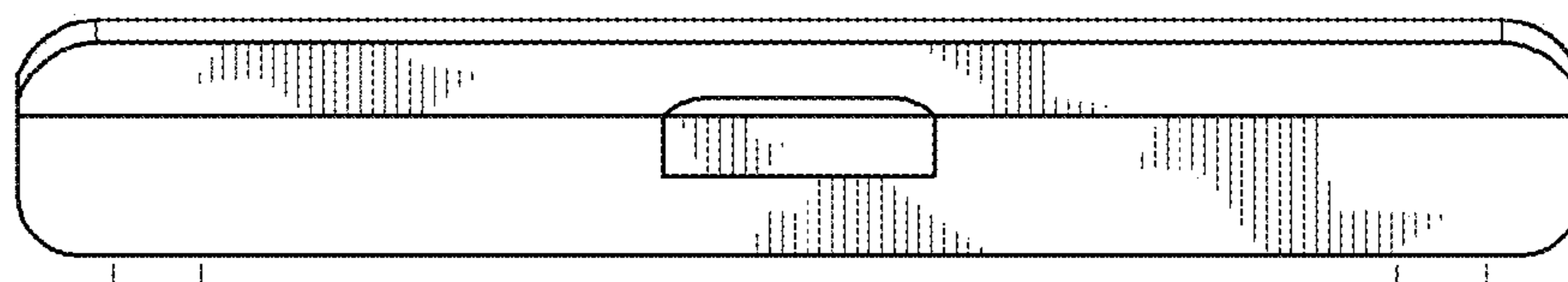


FIG. 4

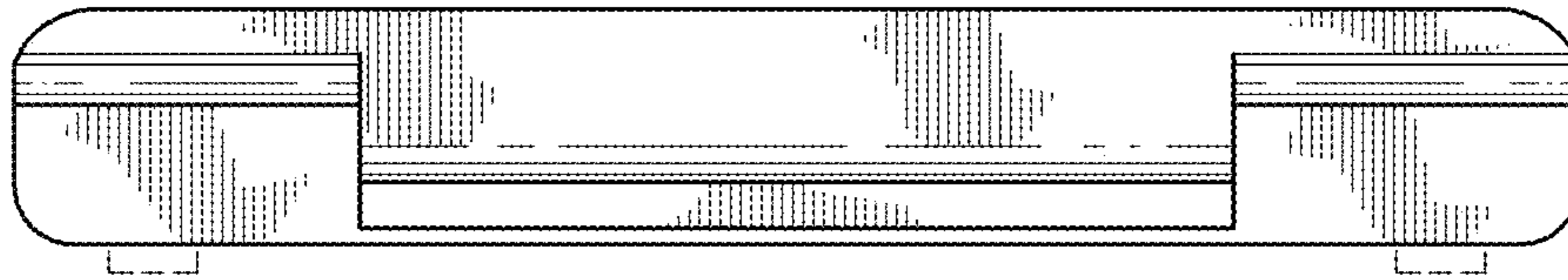


FIG. 5

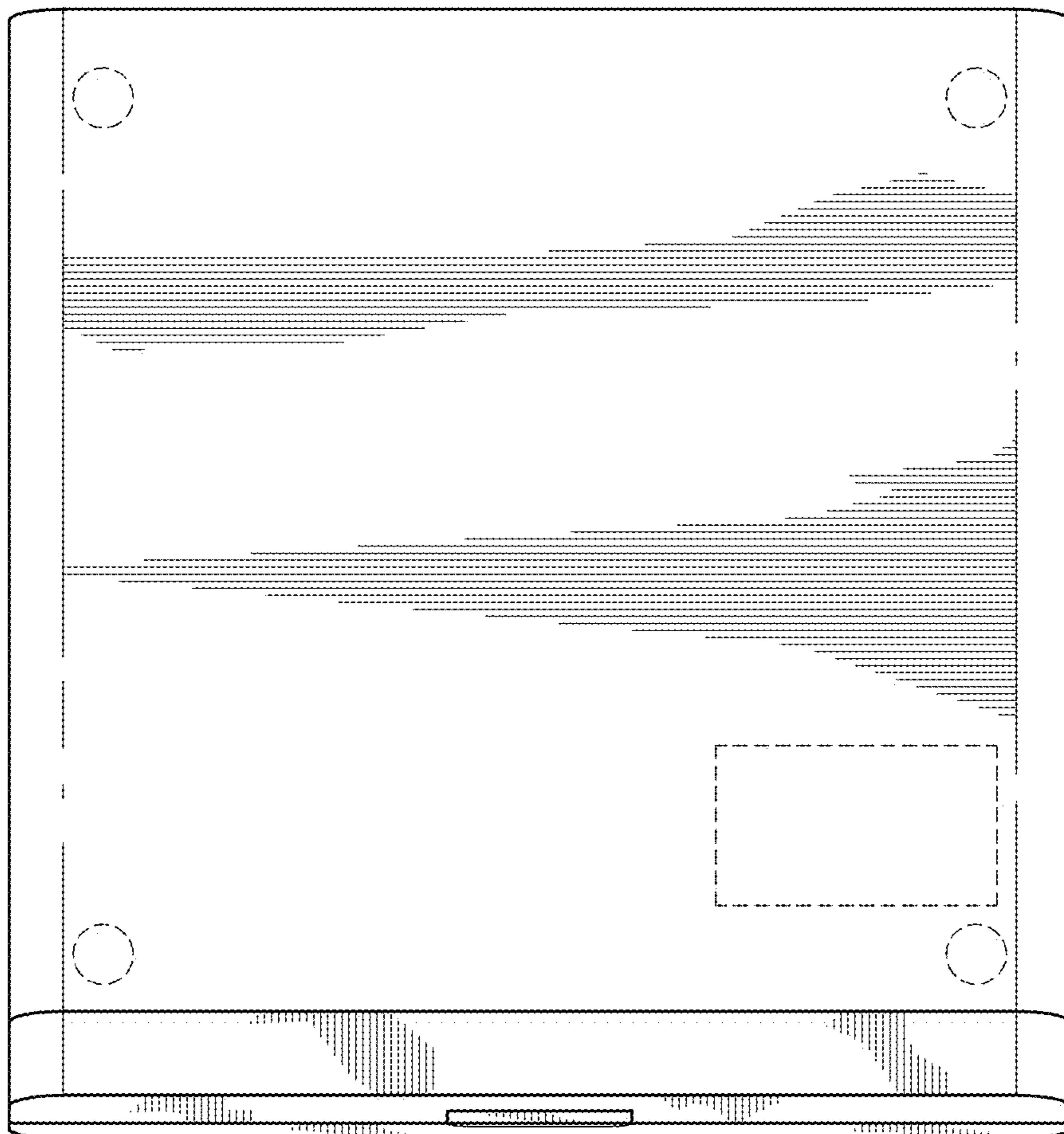


FIG. 6

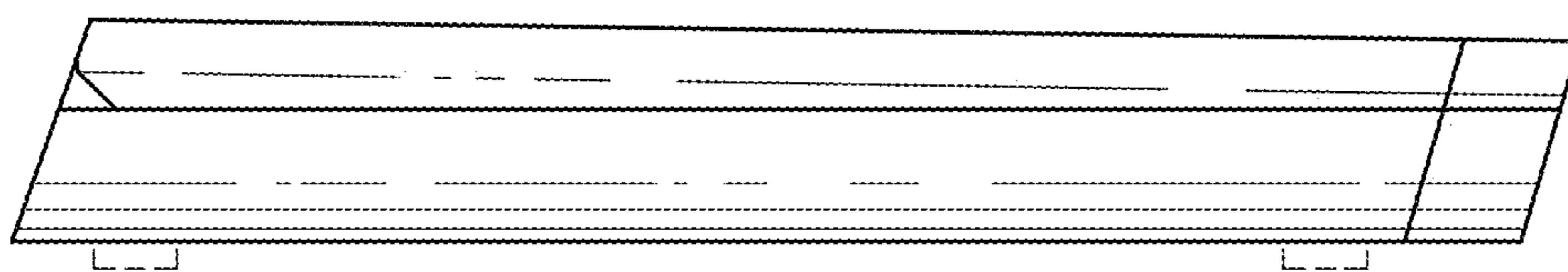


FIG. 7

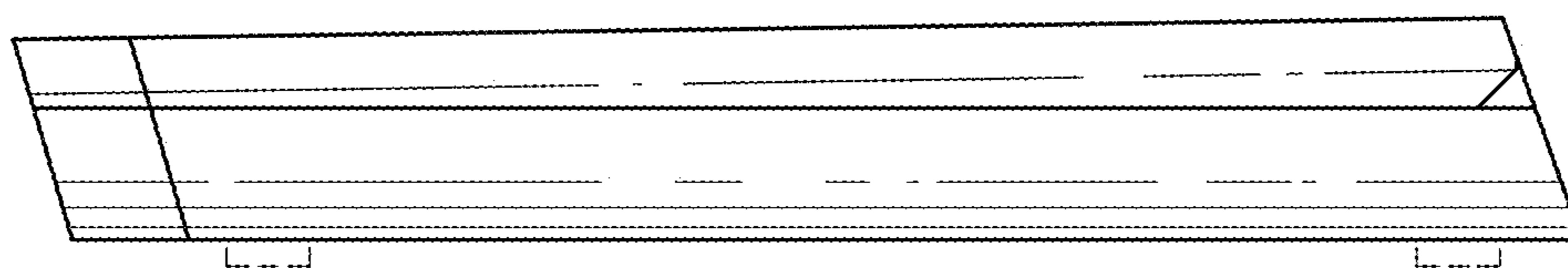


FIG. 8

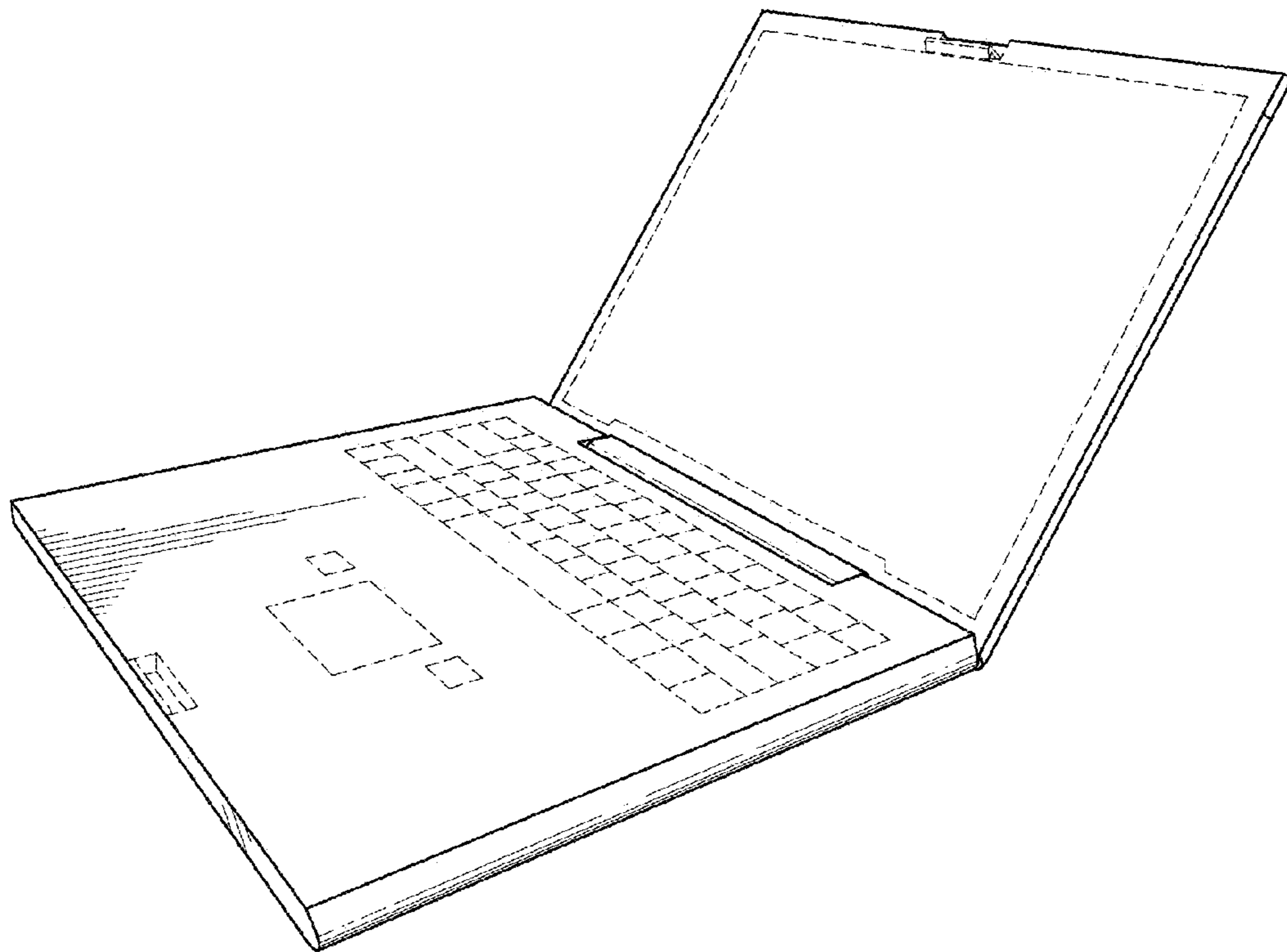


FIG. 9

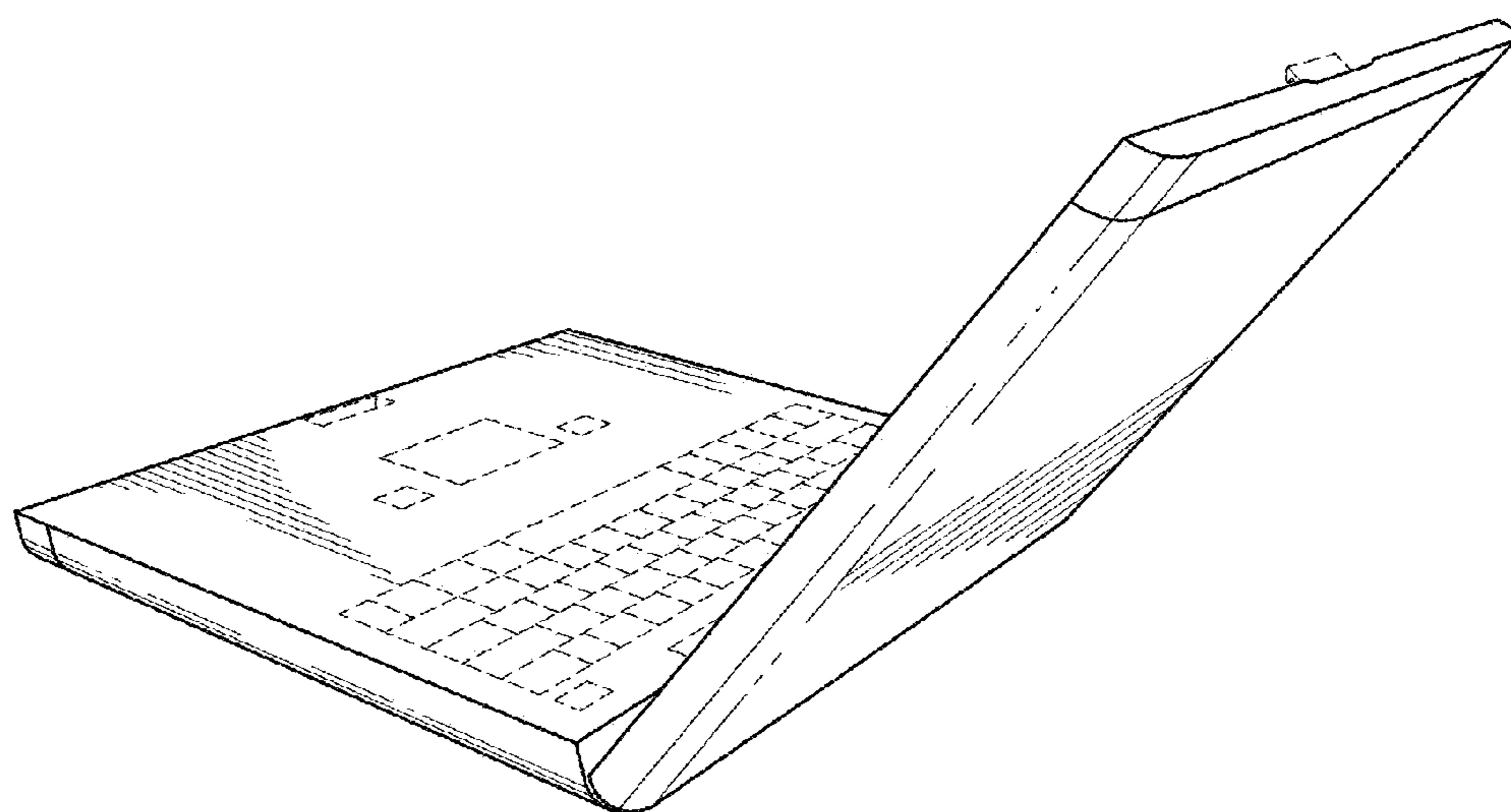


FIG. 10

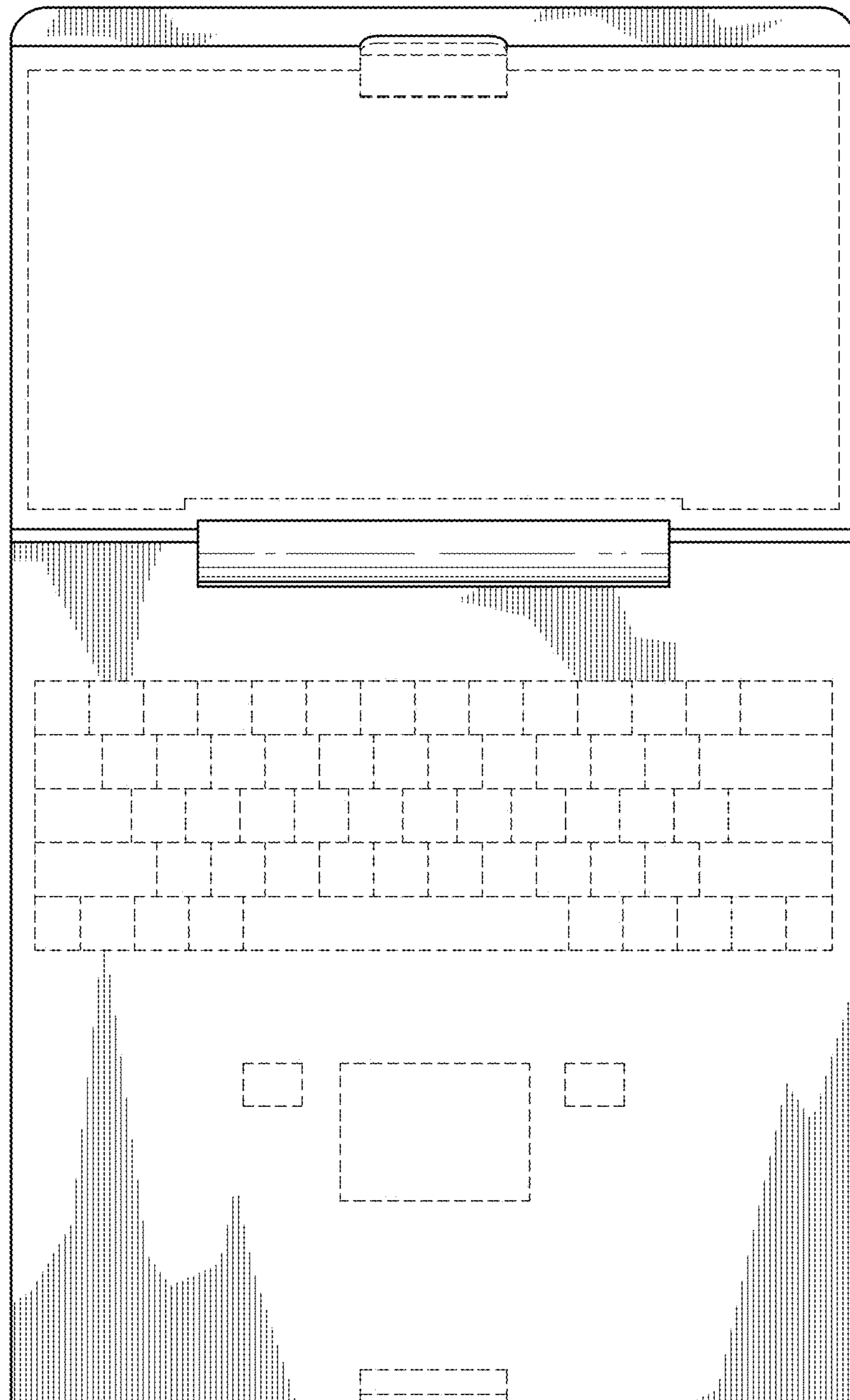


FIG. 11

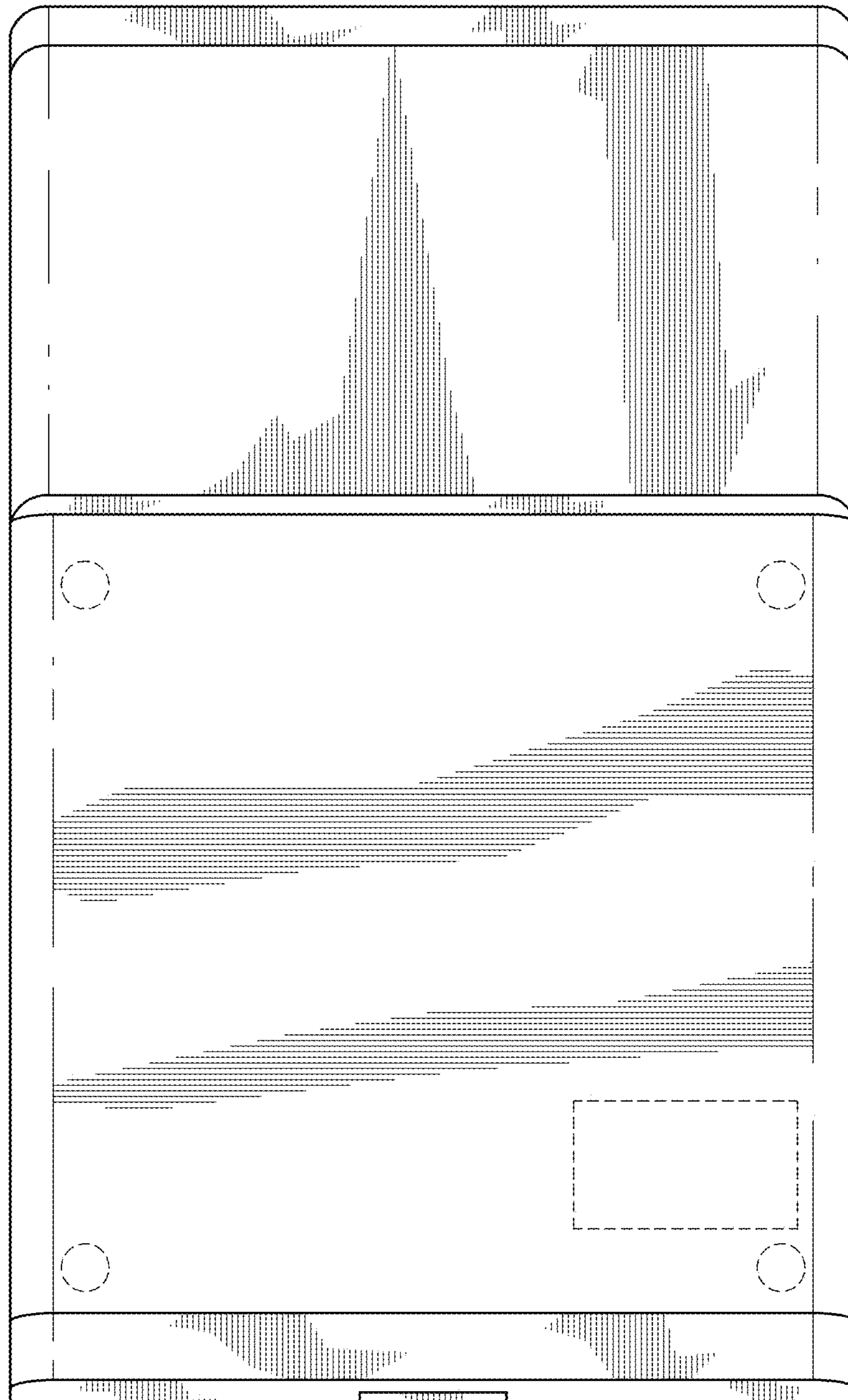


FIG. 12

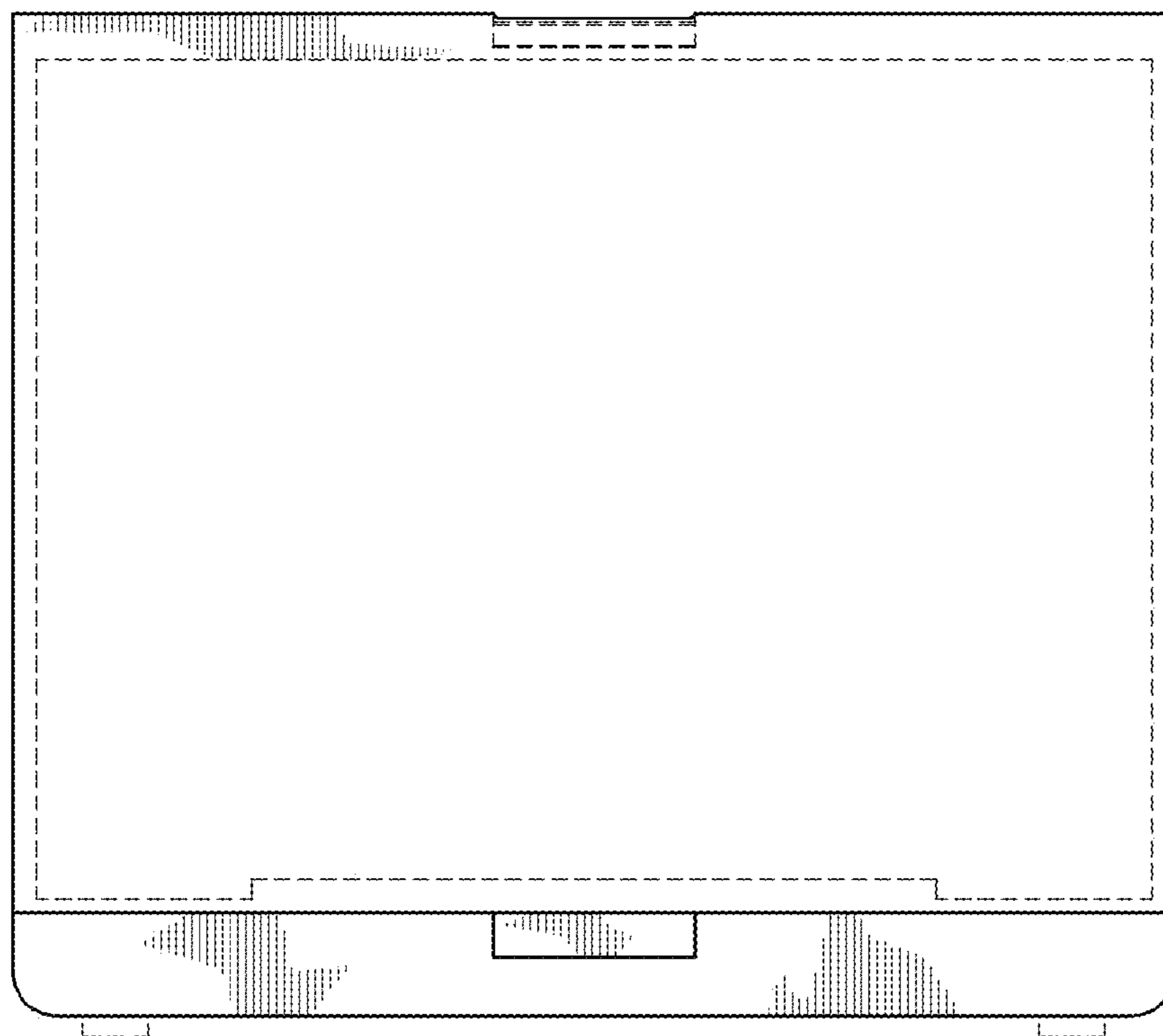


FIG. 13

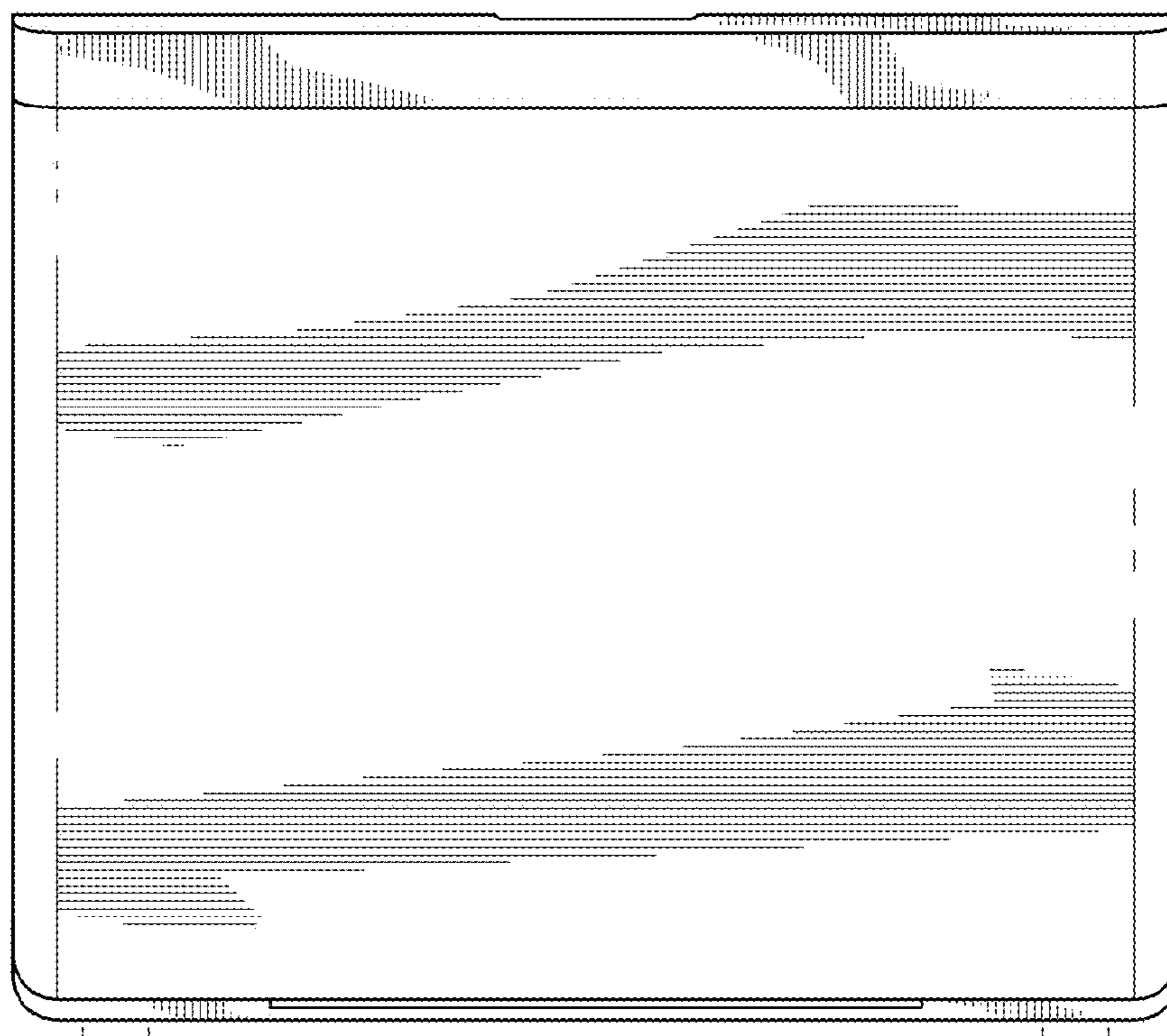
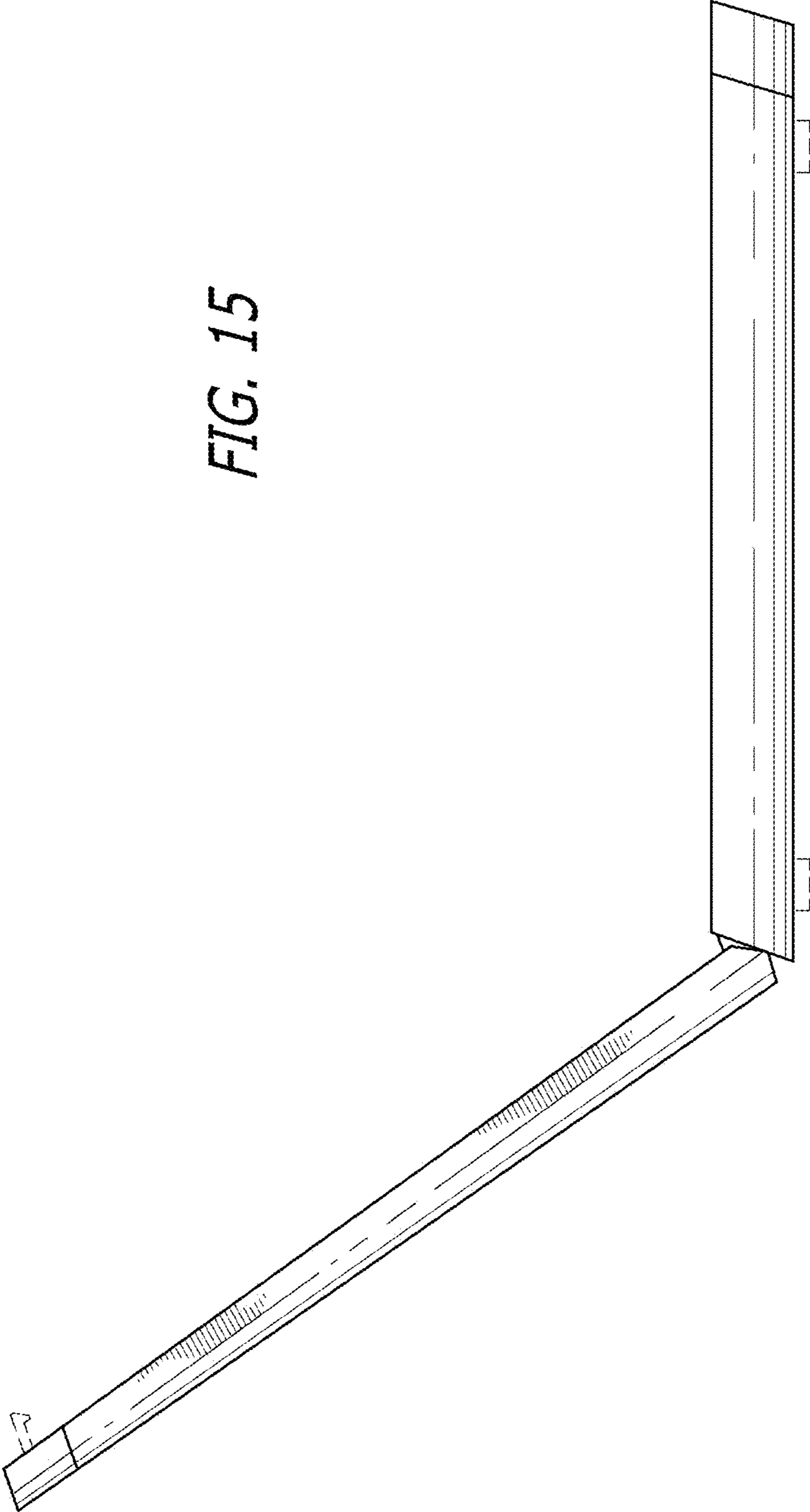


FIG. 14

FIG. 15



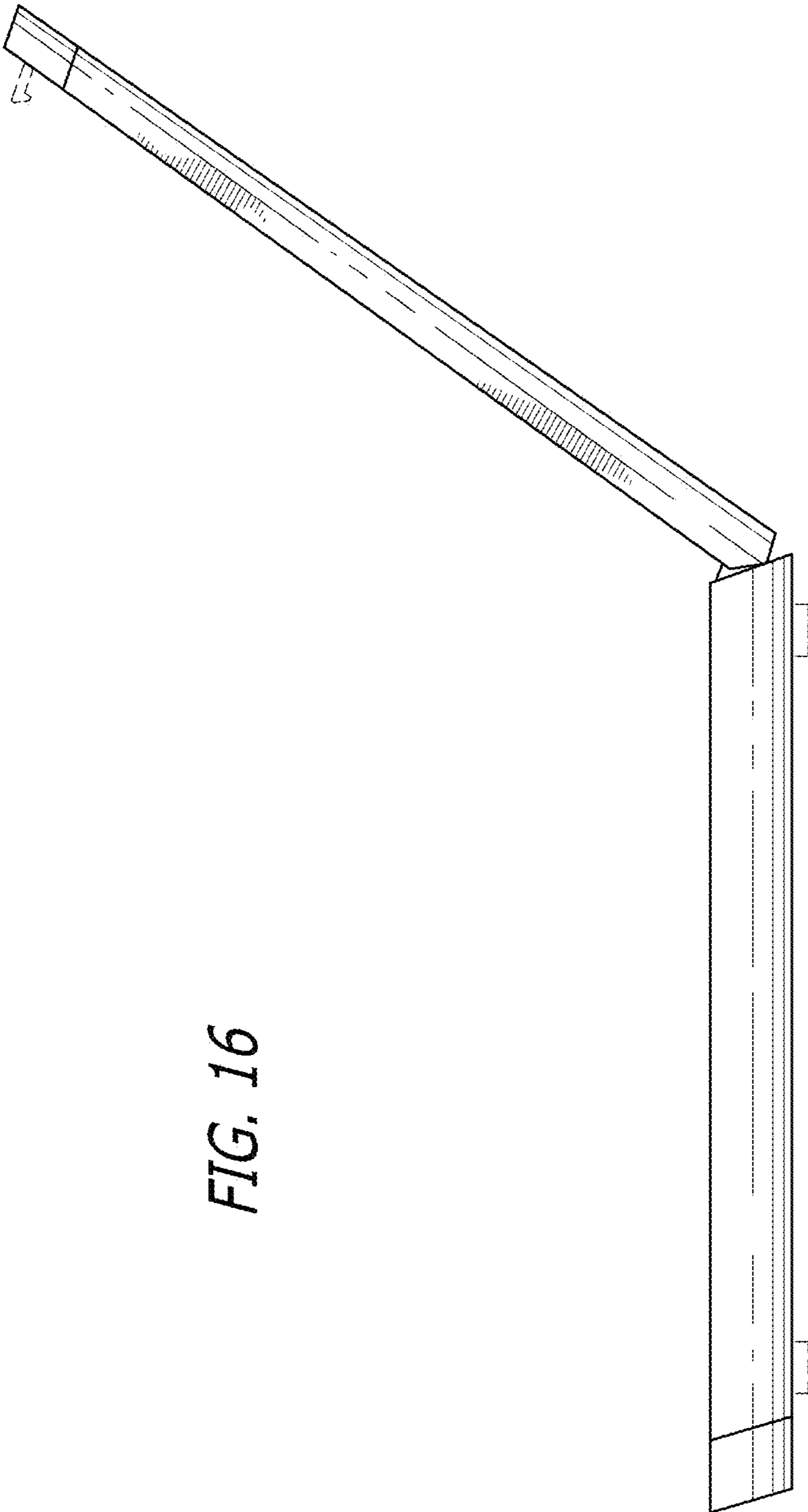


FIG. 16