



US00D752032S

(12) **United States Design Patent**  
**Taylor**

(10) **Patent No.:** **US D752,032 S**  
(45) **Date of Patent:** **\*\* Mar. 22, 2016**

(54) **CONTROL UNIT**

D702,675 S \* 4/2014 Jones ..... D14/307  
D707,674 S \* 6/2014 Daniel ..... D14/307  
D708,676 S \* 7/2014 Ballman et al. .... D21/369

(71) Applicant: **SCANFLEX HEALTHCARE AB**,  
Stockholm (SE)

(Continued)

(72) Inventor: **Michael Ian Taylor**, Stockholm (SE)

*Primary Examiner* — Austin Murphy

(73) Assignee: **SCANFLEX HEALTHCARE AB** (SE)

(74) *Attorney, Agent, or Firm* — Calfee, Halter & Griswold  
LLP

(\*\*) Term: **14 Years**

(57) **CLAIM**

The ornamental design for a control unit, as shown and described.

(21) Appl. No.: **29/478,124**

**DESCRIPTION**

(22) Filed: **Dec. 31, 2013**

(30) **Foreign Application Priority Data**

Nov. 19, 2013 (EM) ..... 002348151-0001

(51) **LOC (10) Cl.** ..... **14-02**

(52) **U.S. Cl.**  
USPC ..... **D14/307**

(58) **Field of Classification Search**

USPC ..... D14/302, 303, 304, 305, 306, 307, 900,  
D14/902; D13/163, 162; 187/395, 396;  
361/679.02, 679.21; D20/10; D21/332,  
D21/325; D10/108

CPC ..... G06Q 20/18; G06Q 20/10; G06Q 20/123;  
G06Q 20/20; G06Q 30/02; G06Q 30/06;  
A47F 9/047

See application file for complete search history.

(56) **References Cited**

**U.S. PATENT DOCUMENTS**

D573,986 S \* 7/2008 Sasaki et al. .... D14/307  
D590,387 S \* 4/2009 Chen ..... D14/307  
D591,078 S \* 4/2009 Singler et al. .... D6/432  
D605,189 S \* 12/2009 Kuroda ..... D14/307  
D605,191 S \* 12/2009 Kuroda et al. .... D14/307  
D617,575 S \* 6/2010 Dreyer et al. .... D6/396  
D628,742 S \* 12/2010 Hsu ..... D28/9  
D671,595 S \* 11/2012 O'Hara ..... D19/52  
D695,285 S \* 12/2013 Smith et al. .... D14/307  
D695,733 S \* 12/2013 Damhuis ..... D14/307

FIG. 1 is a front/ left perspective view of a first embodiment of the control unit of the new design;

FIG. 2 is a front view of a first embodiment of the control unit of the new design;

FIG. 3 is a rear view of a first embodiment of the control unit of the new design;

FIG. 4 is a left side view of a first embodiment of the control unit of the new design;

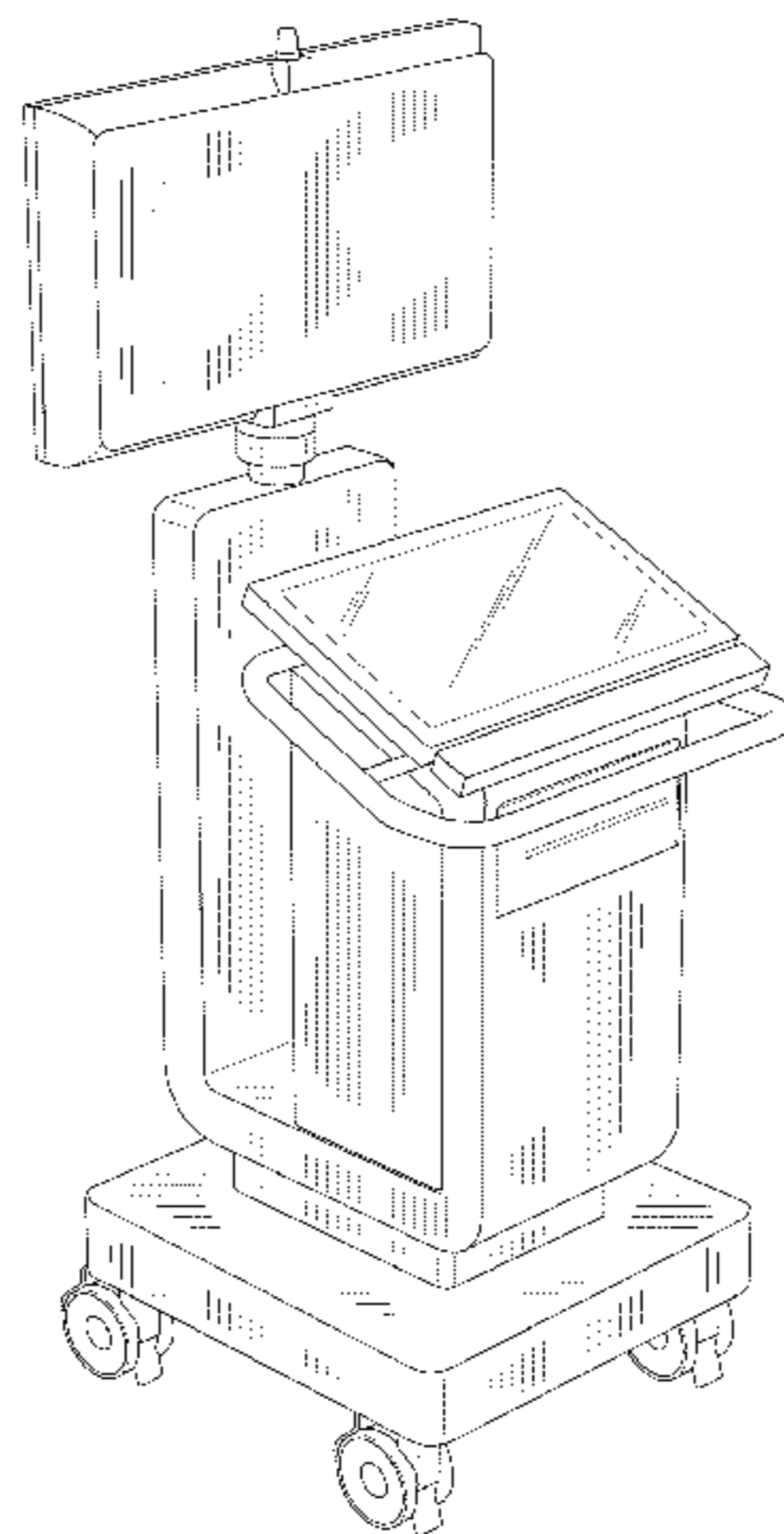
FIG. 5 is a right side view of a first embodiment of the control unit of the new design;

FIG. 6 is a top view of a first embodiment of the control unit of the new design; and,

FIG. 7 is a bottom view of a first embodiment of the control unit of the new design.

The broken lines that are bounded by or fully enclosed by solid lines represent the bounds of the claimed design, while all other broken lines shown in the drawings are for illustrative purposes only and form no part of the claimed design. The broken lines form no part of the claimed design. The surface shading illustrated in the drawings is provided merely to highlight the contour of the design and is not intended to be illustrative texture or gloss. In this case or any continuation case Applicant reserves the right to exclude by showing in broken lines (and the specification is to be interpreted as optionally excluding in any design) any one or any two or more regions bounded by lines in the attached figures (including regions bounded in whole or in part by tangent lines and/or other lines where two or more surfaces join).

**1 Claim, 4 Drawing Sheets**



# US D752,032 S

Page 2

---

(56)

## References Cited

### U.S. PATENT DOCUMENTS

D717,784 S \* 11/2014 Collins et al. .... D14/307  
D721,695 S \* 1/2015 Birgeoglu ..... D14/307  
D721,696 S \* 1/2015 Birgeoglu ..... D14/307

D723,025 S \* 2/2015 Birgeoglu ..... D14/307  
D723,538 S \* 3/2015 Catoe et al. .... D14/307  
D726,706 S \* 4/2015 Kraft et al. .... D14/307

\* cited by examiner

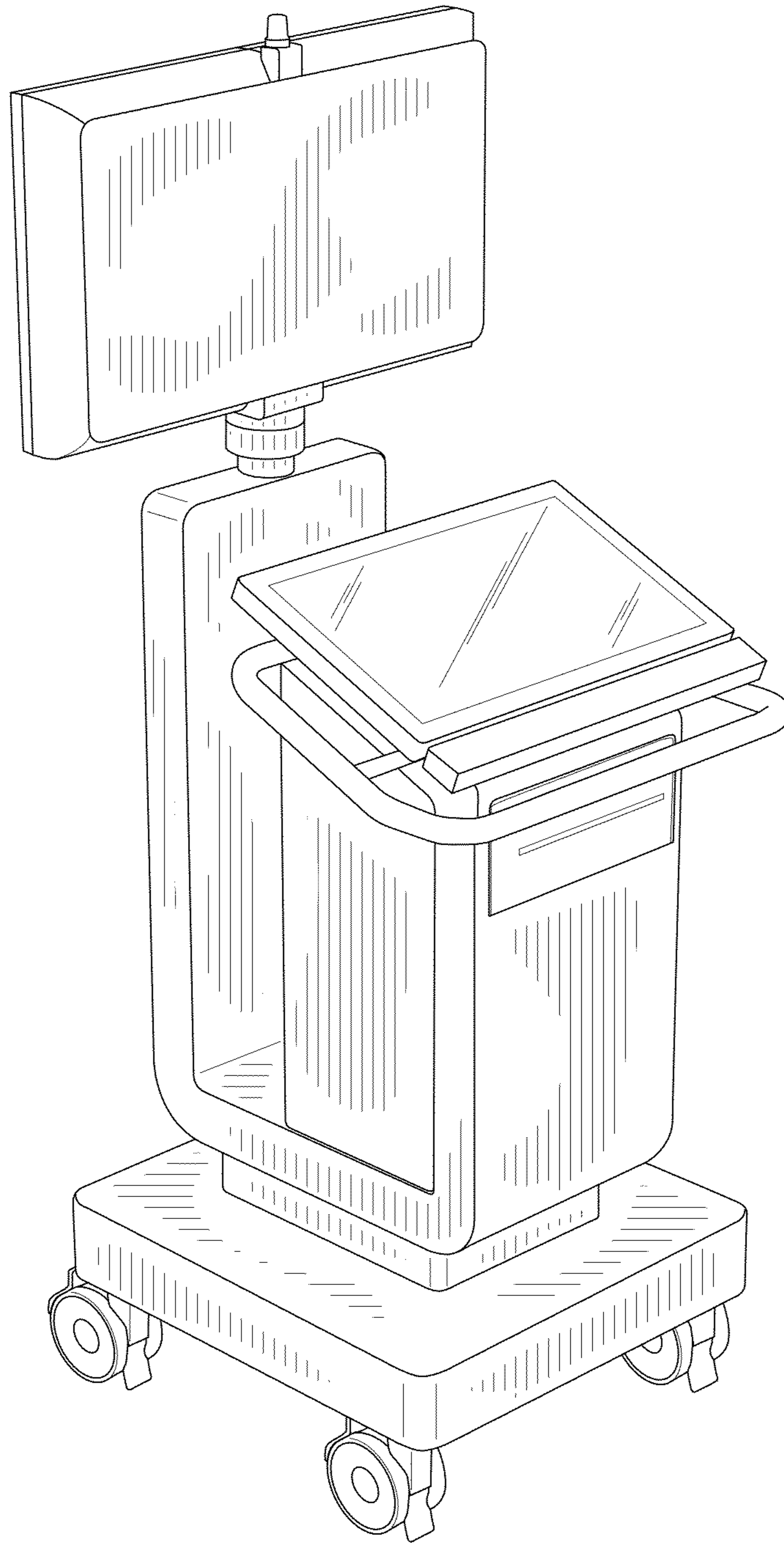


FIG. 1

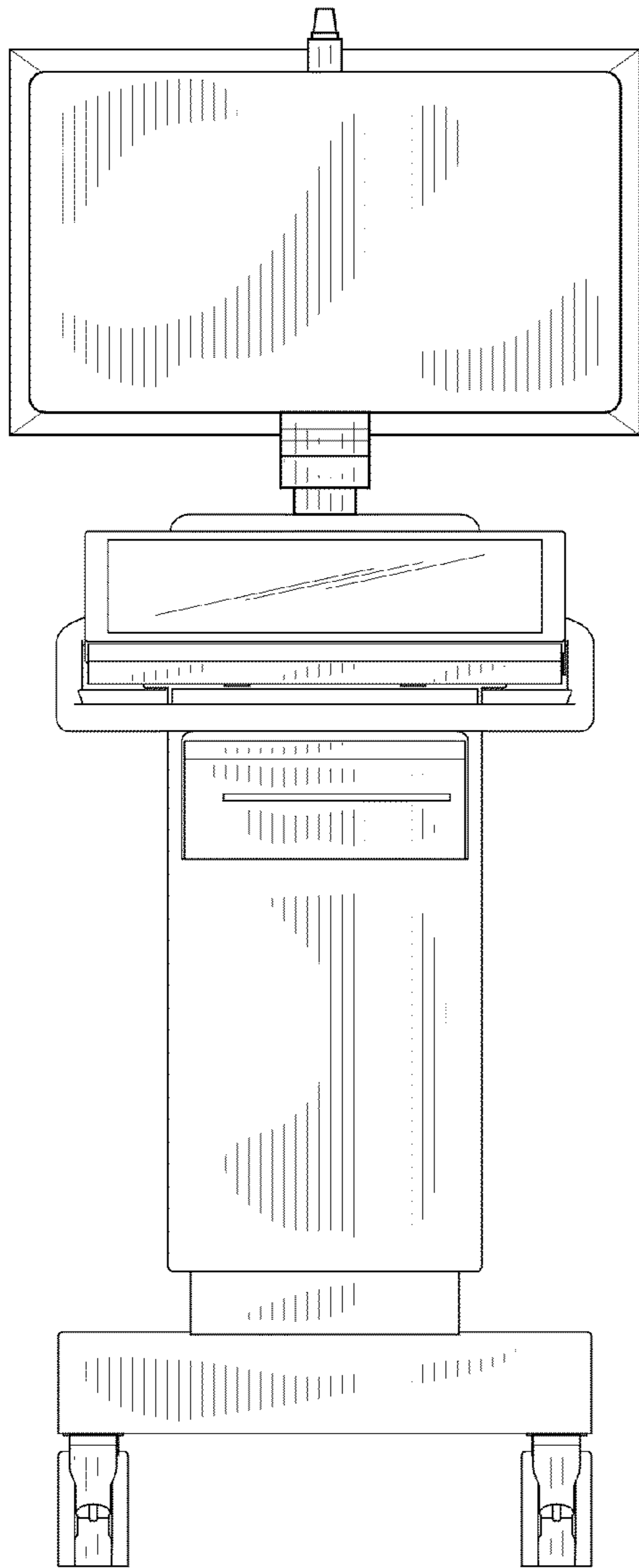


FIG. 2

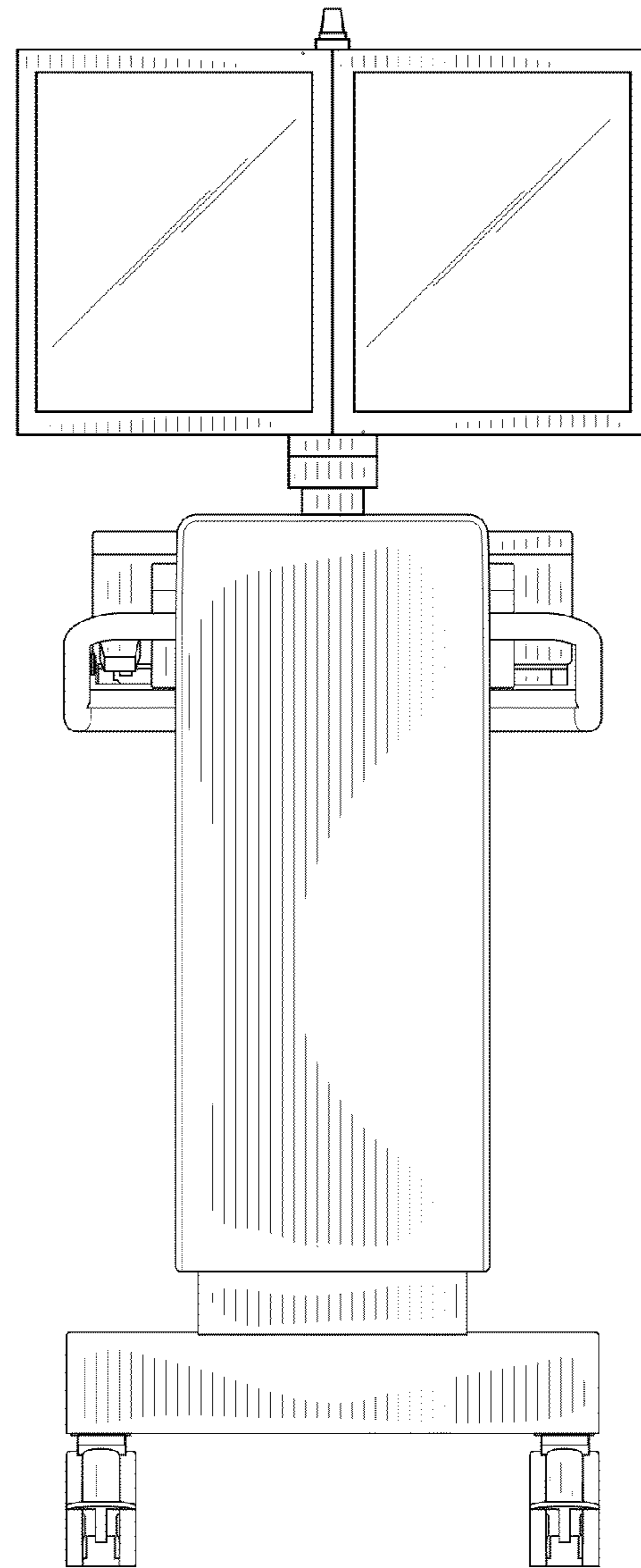


FIG. 3



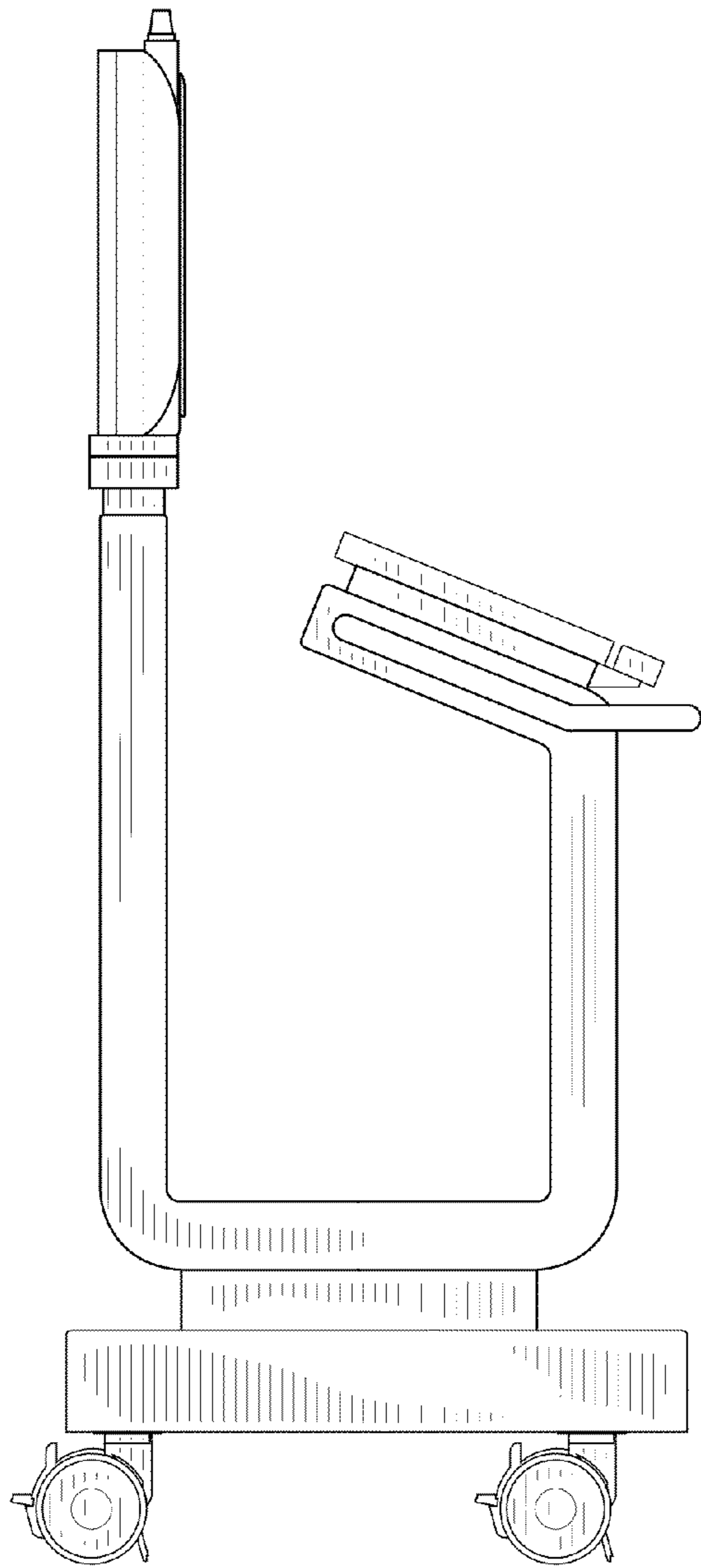


FIG. 4

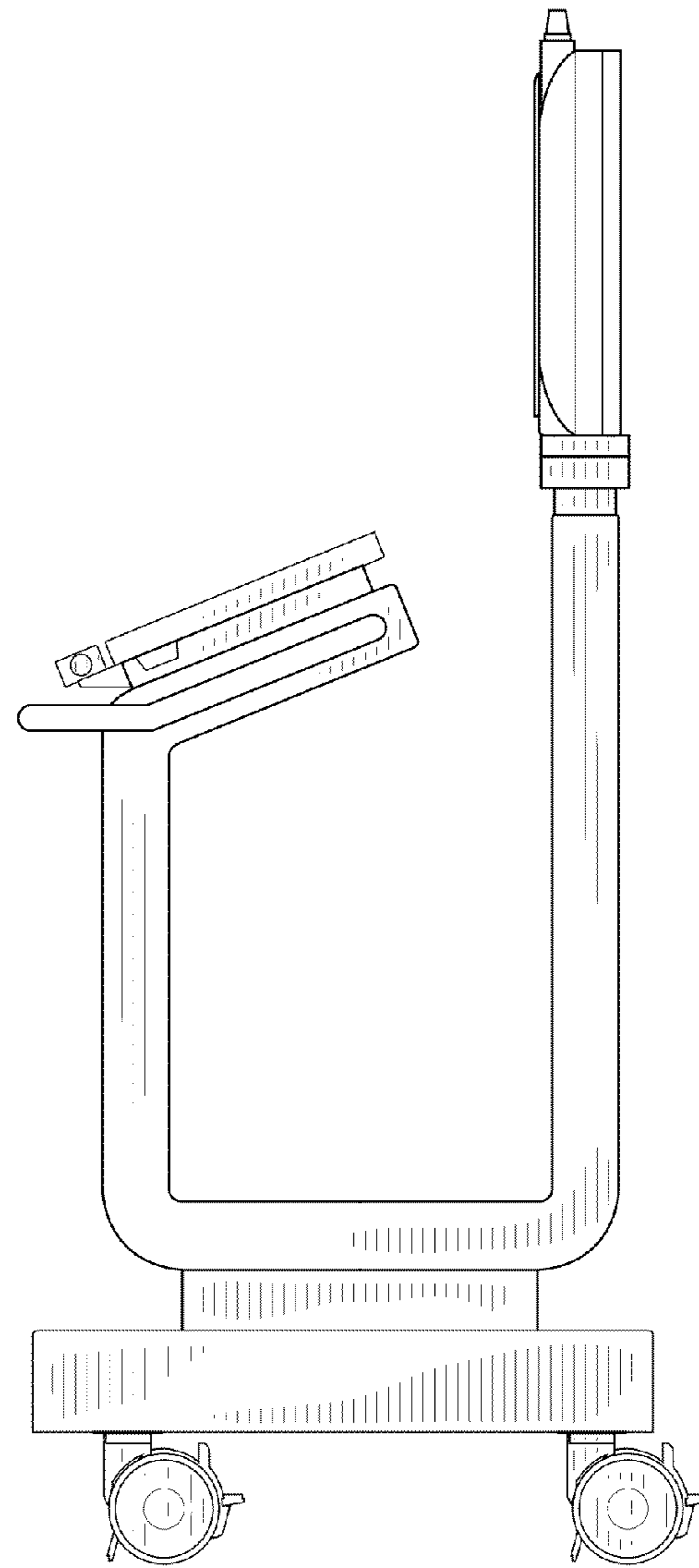


FIG. 5

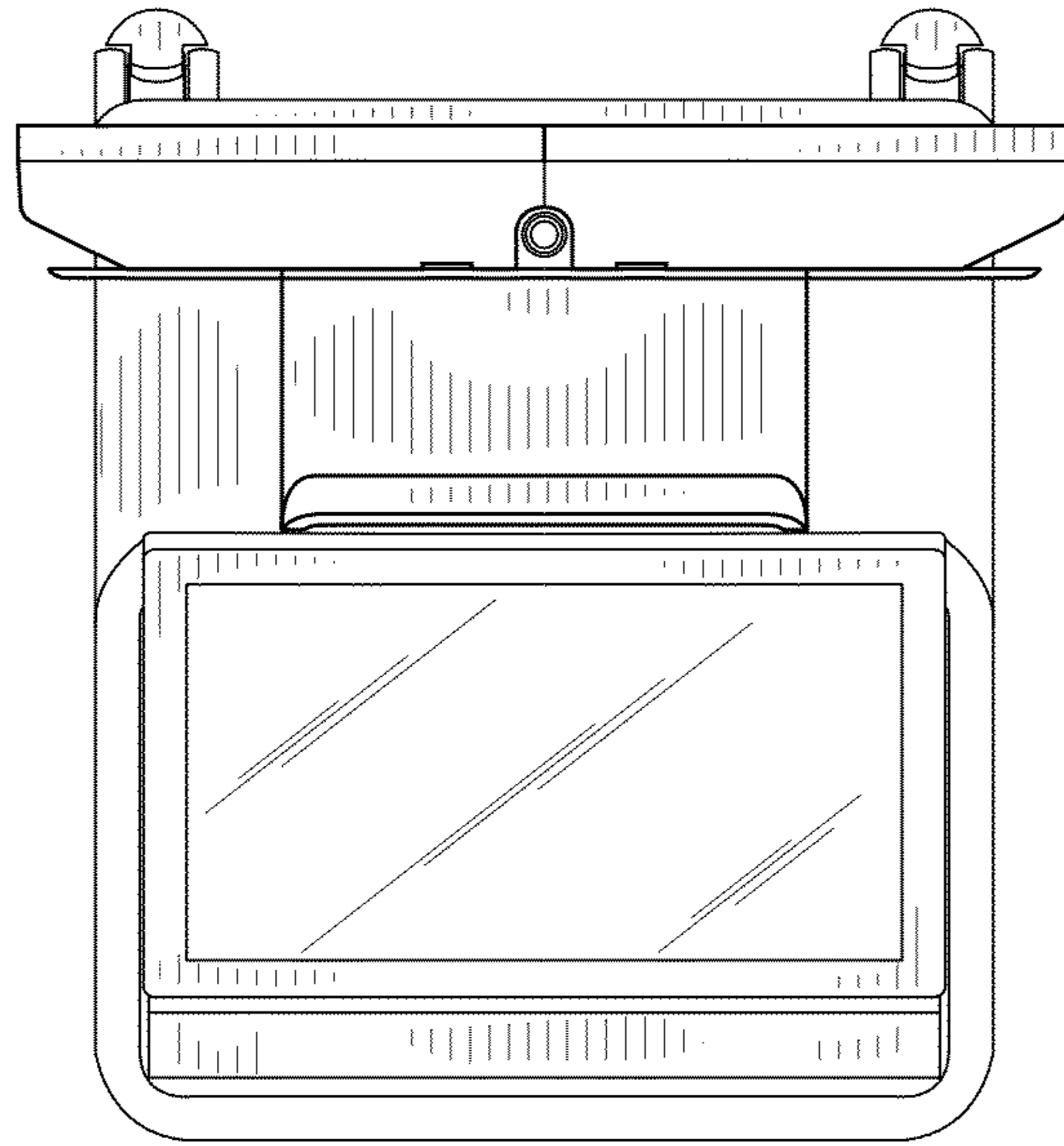


FIG. 6

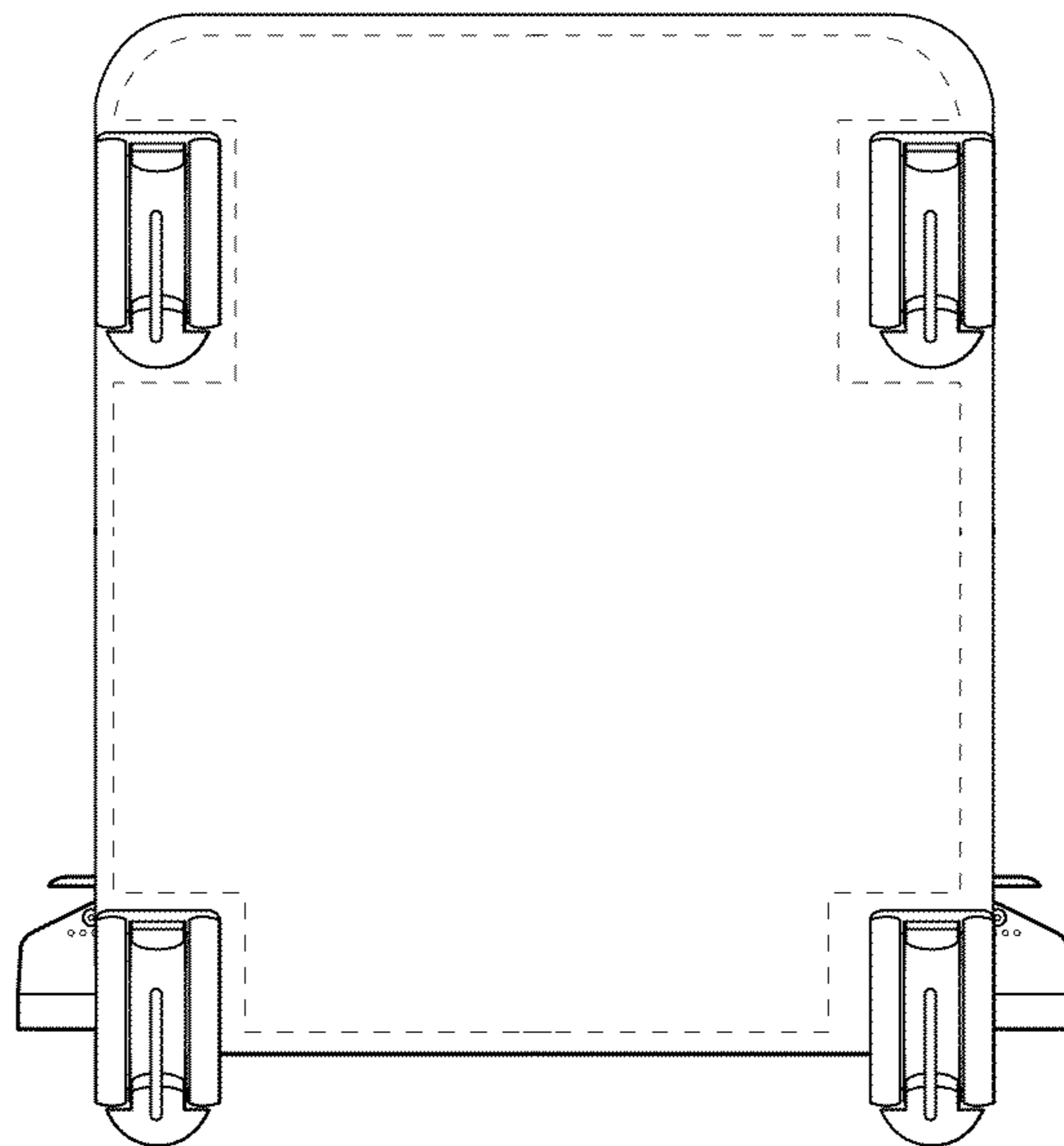


FIG. 7