



US00D752031S

(12) **United States Design Patent**
McClelland et al.

(10) **Patent No.:** **US D752,031 S**
(45) **Date of Patent:** **** Mar. 22, 2016**

(54) **MICRO SERVER**

H05K 7/1477; H05K 1/028; H05K 5/0069;
Y10S 439/928; F16F 15/08

See application file for complete search history.

(71) Applicant: **Hewlett-Packard Development Company, L.P.**, Houston, TX (US)

(72) Inventors: **Belgie B. McClelland**, Tomball, TX (US); **Shab H. Madina**, Houston, TX (US); **Gregory A. Starks**, Tomball, TX (US); **Ming-Jen Hsin**, Taipei (TW); **James J. Ganthier**, Spring, TX (US); **Andrew M. Bauman**, Spring, TX (US)

(56) **References Cited**

U.S. PATENT DOCUMENTS

5,027,254 A *	6/1991	Corfits	H05K 7/1424 165/122
D331,574 S *	12/1992	Ito	D14/368
5,168,171 A *	12/1992	Tracewell	H05K 7/20572 307/150
D508,491 S *	8/2005	Choi	D14/356
D511,772 S *	11/2005	Su	D14/300
D577,719 S *	9/2008	Kobeli	D14/300

* cited by examiner

Primary Examiner — Freda S Nunn

(74) *Attorney, Agent, or Firm* — International IP Law Group, PLLC

(73) Assignee: **Hewlett Packard Enterprise Development LP**, Houston, TX (US)

(**) Term: **15 Years**

(21) Appl. No.: **29/532,002**

(22) Filed: **Jun. 30, 2015**

(57) **CLAIM**

The ornamental design for a micro server, as shown and described.

Related U.S. Application Data

(62) Division of application No. 29/460,123, filed on Jul. 8, 2013, now Pat. No. Des. 735,192.

(51) **LOC (10) Cl.** **14-02**

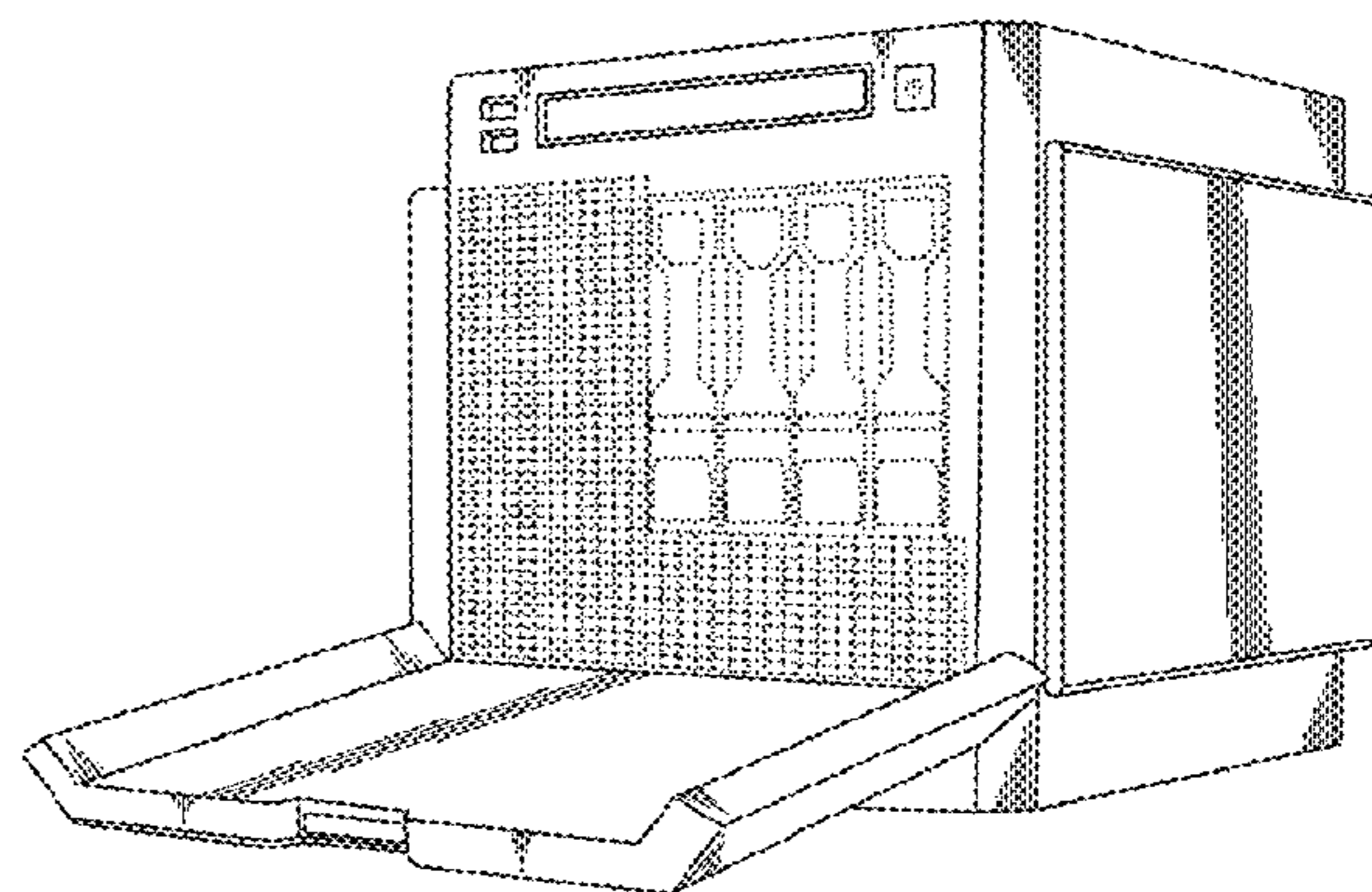
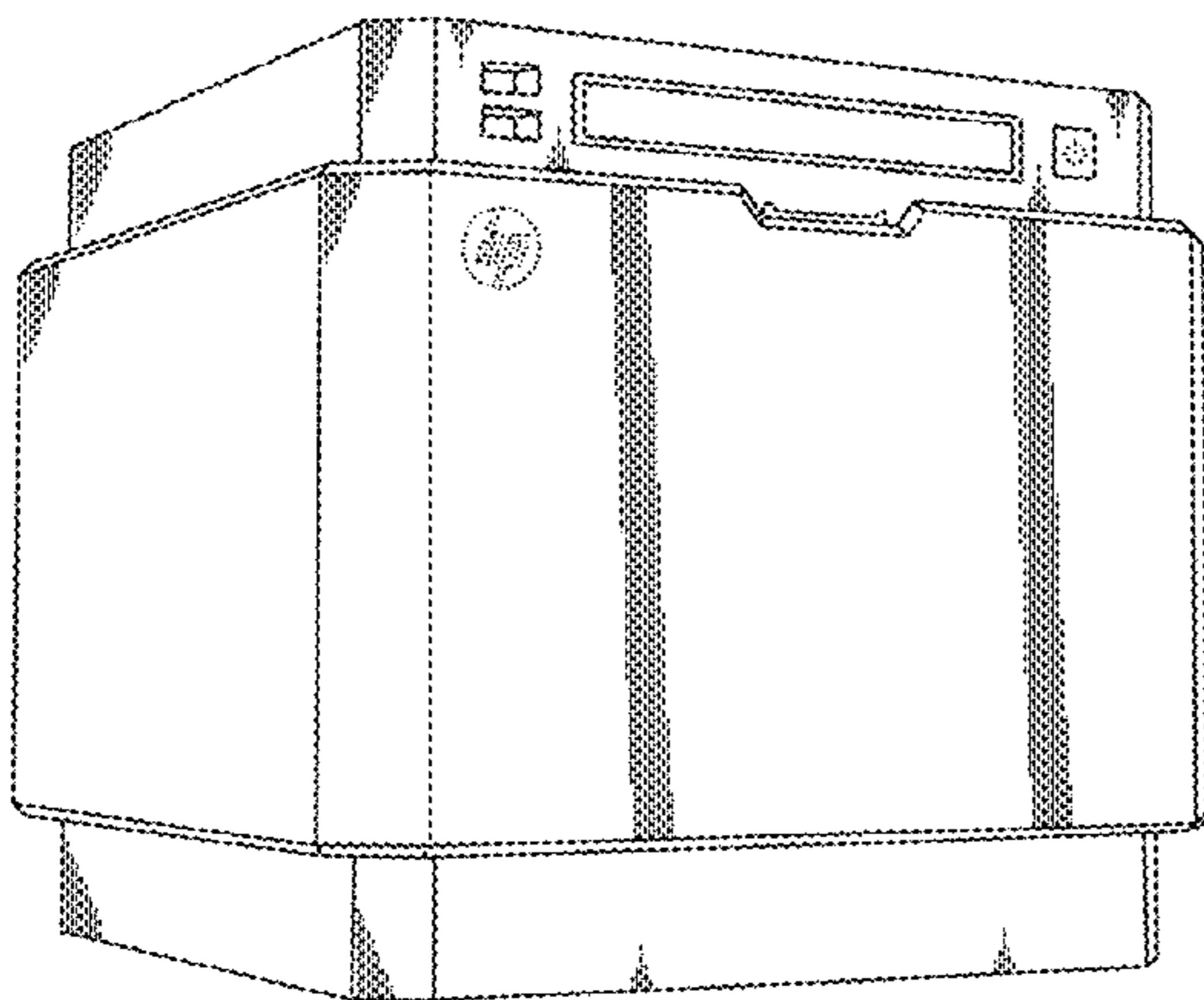
(52) **U.S. Cl.**
USPC **D14/301**

(58) **Field of Classification Search**
USPC D14/356, 358, 433, 155; D10/46;
D13/123-125, 133, 184
CPC .. G11B 33/08; G11B 33/128; G11B 15/6835;
G06F 1/184; G06F 1/185; G06F 1/186;
A47B 81/00; H01R 9/2675; H05K 7/1468;
H05K 7/1478; H05K 7/1432; H05K 7/1418;

DESCRIPTION

FIG. 1 is a front perspective view of a micro server including a front cover panel with a latching mechanism, the broken lines are shown for environmental purposes only and form no part of the claimed design;
FIG. 2 is a front, side perspective view thereof;
FIG. 3 is a front and opposite side perspective view thereof wherein the front cover panel is shown extended in a downward position; and,
FIG. 4 is a top, side and rear perspective view thereof.

1 Claim, 4 Drawing Sheets



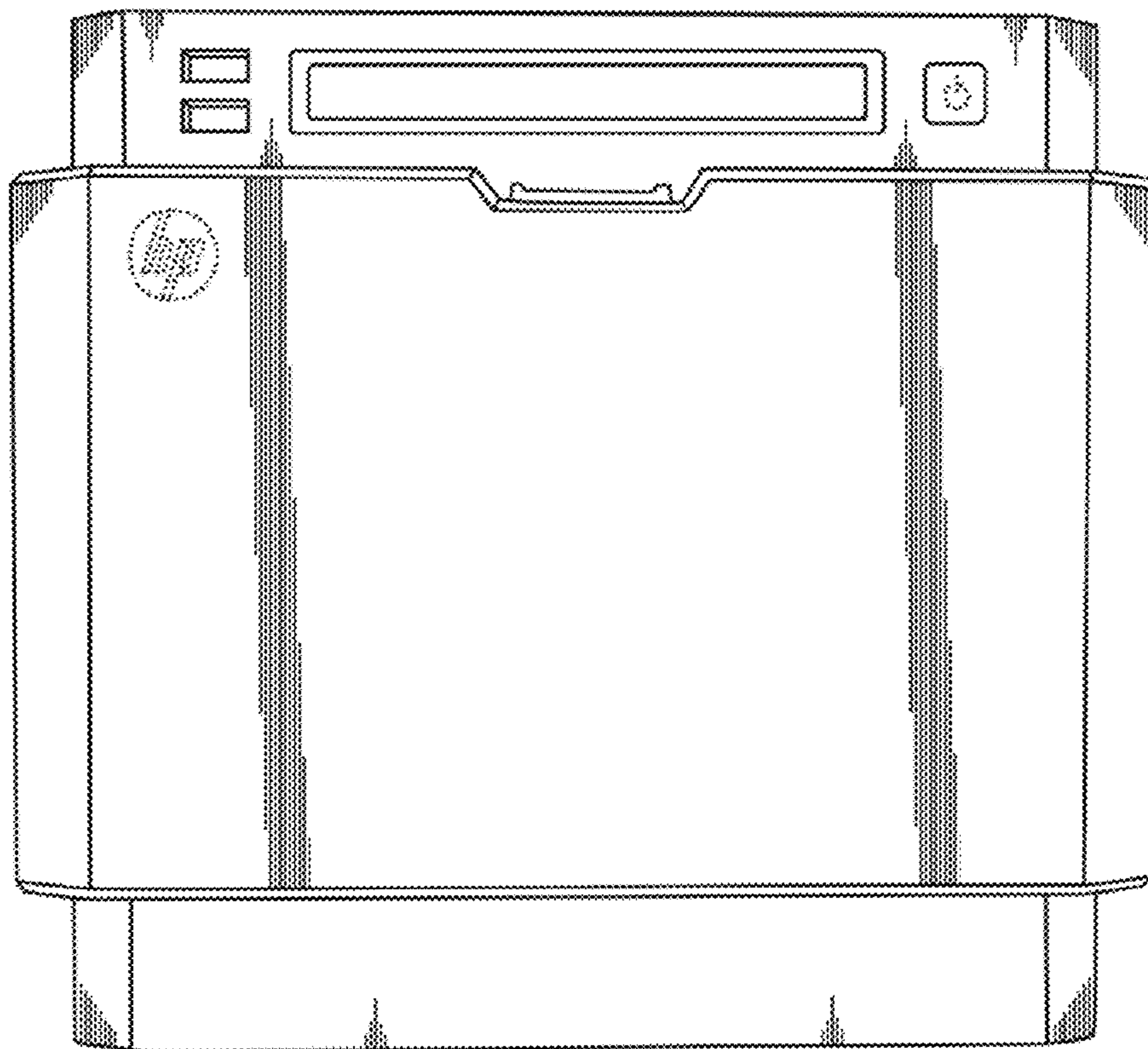


FIG. 1

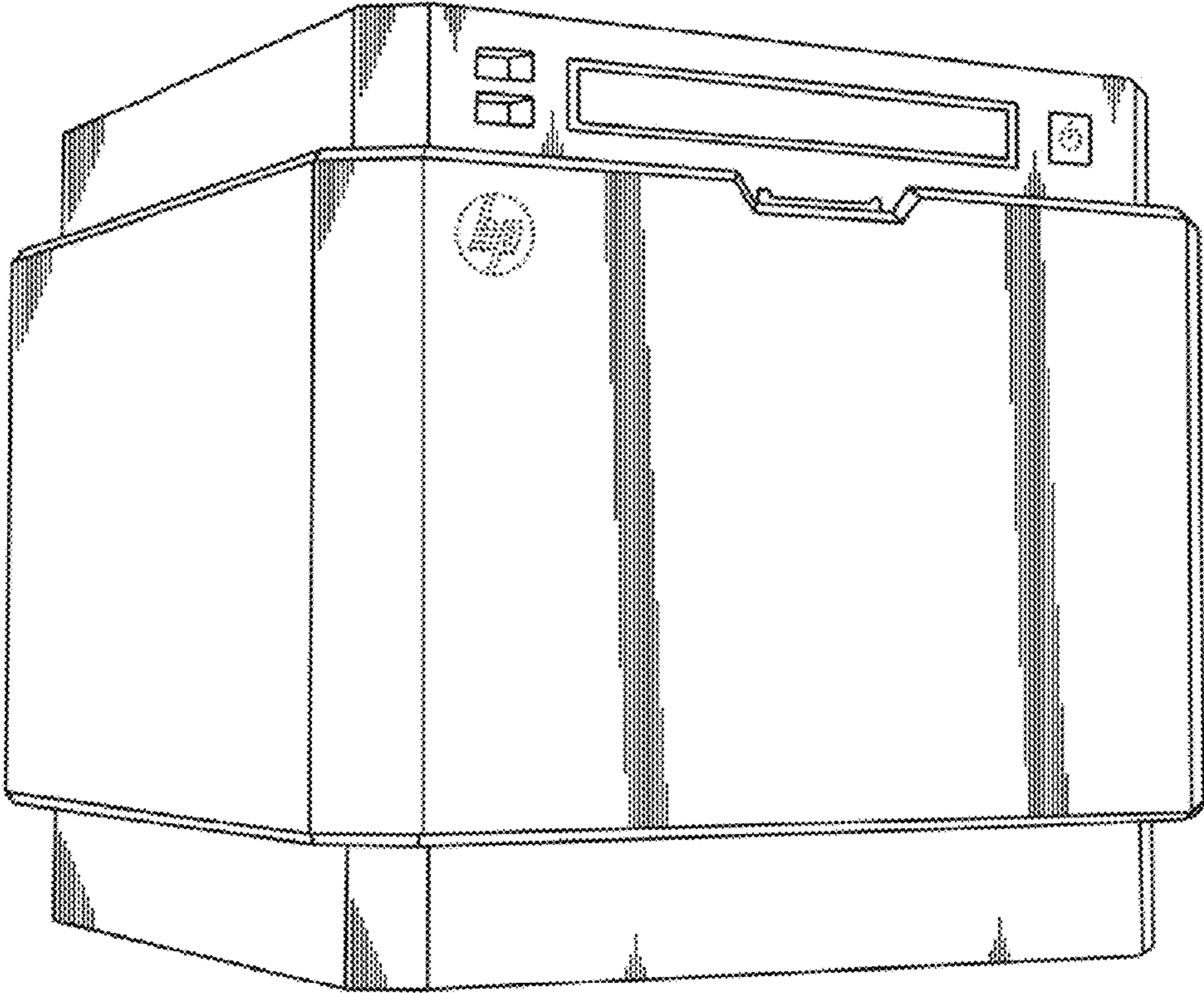


FIG. 2

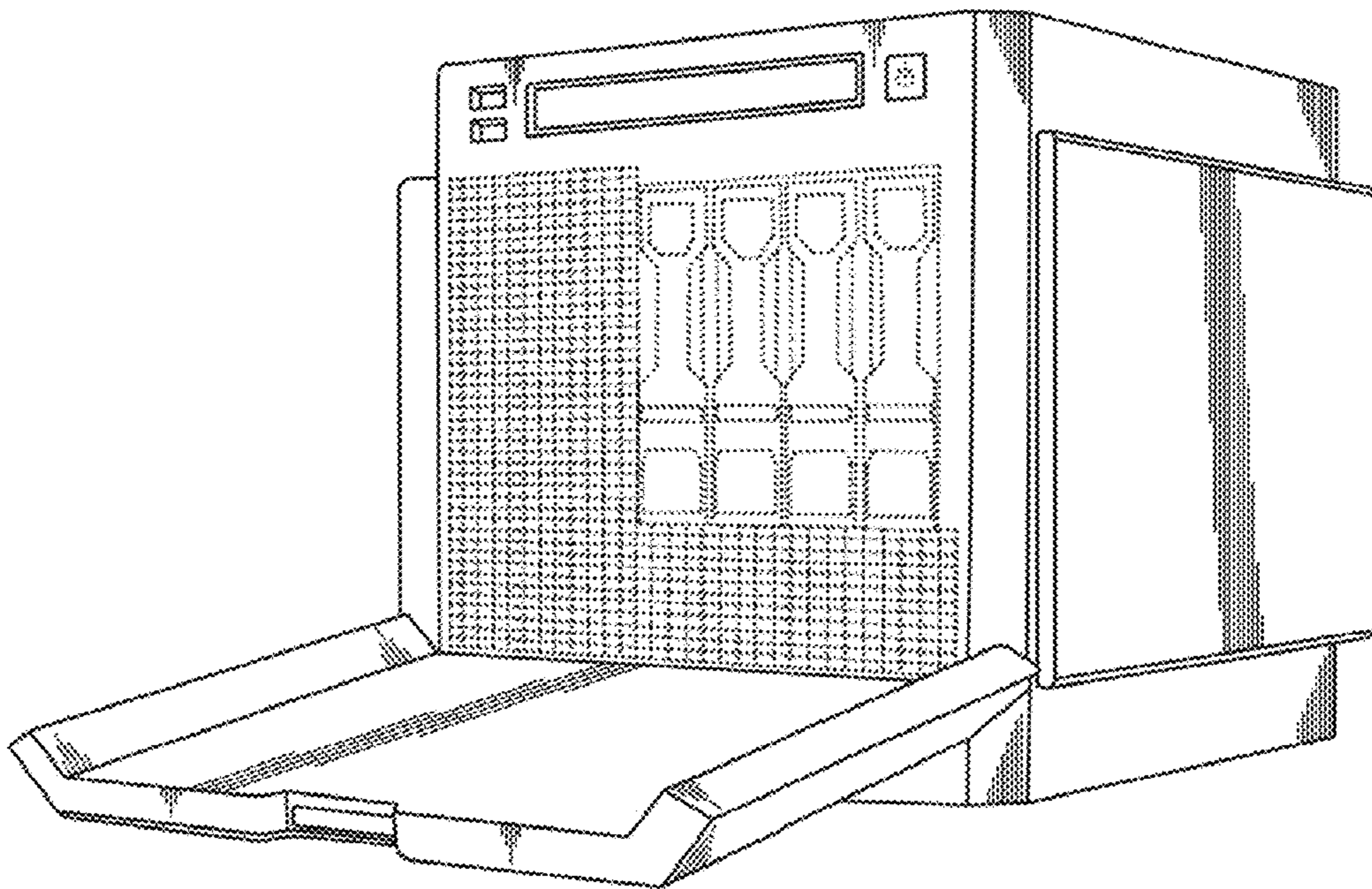


FIG. 3

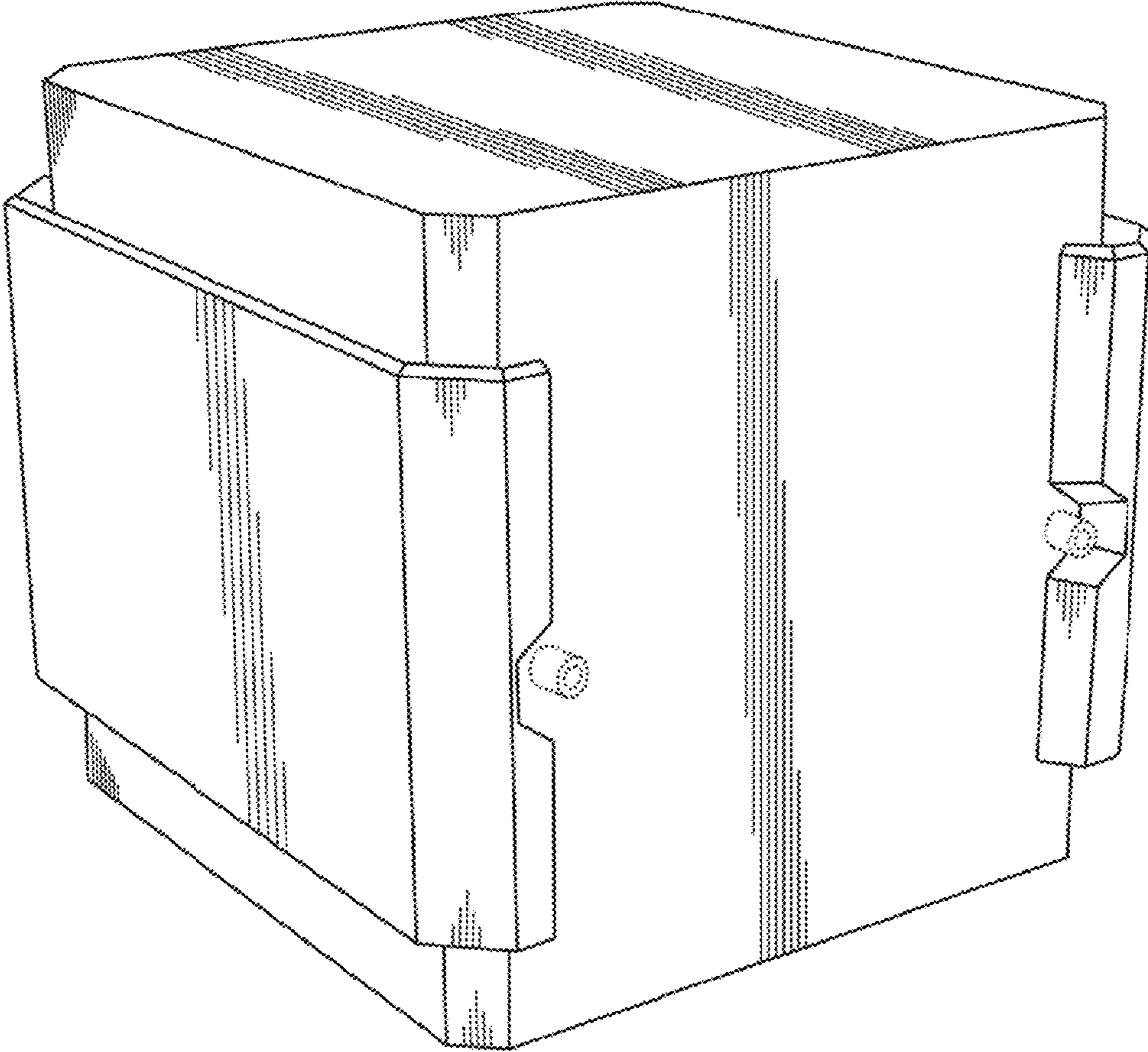


FIG. 4