



US00D752028S

(12) **United States Design Patent**
Hochman et al.

(10) **Patent No.:** **US D752,028 S**
(45) **Date of Patent:** **** Mar. 22, 2016**

(54) **MODULAR VIDEO SUPPORT FRAME MEMBER**

(56) **References Cited**

U.S. PATENT DOCUMENTS

(71) Applicant: **Revolution Display, LLC**, Glendale, CA (US)

D289,115 S 4/1987 Spicer
5,626,406 A 5/1997 Schmid

(Continued)

(72) Inventors: **Jeremy Hochman**, Glendale, CA (US);
Henry Ambrose, Glendale, CA (US)

Primary Examiner — Randall Gholson

(74) *Attorney, Agent, or Firm* — Downs Rachlin Martin PLLC

(73) Assignee: **Revolution Display, LLC**, Glendale, CA (US)

(57) **CLAIM**

The ornamental design for a modular video support frame member, as shown and described.

DESCRIPTION

(**) Term: **15 Years**

(21) Appl. No.: **29/527,792**

(22) Filed: **May 21, 2015**

FIG. 1 is a front perspective view of a modular video support frame member showing our new design;
FIG. 2 is a front view thereof;
FIG. 3 is a top view thereof, the bottom view is a mirror image of the top view;
FIG. 4 is a side view thereof, the opposite side view is a mirror image of the side view;
FIG. 5 is a rear view thereof;
FIG. 6 is an enlarged view of a portion of FIG. 2;
FIG. 7 is an enlarged rear view of a portion of FIG. 5;
FIG. 8 is an enlarged view of a portion of FIG. 1;
FIG. 9 is an enlarged rear perspective view of a portion of FIG. 5;
FIG. 10 is a front perspective view of another embodiment of a modular video support frame member showing our new design;
FIG. 11 is a front view thereof;
FIG. 12 is a top view thereof, the bottom view is a mirror image of the top view;
FIG. 13 is a side view thereof, the opposite side view is a mirror image of the side view;
FIG. 14 is a rear view thereof;
FIG. 15 is an enlarged view of a portion of FIG. 11; and,
FIG. 16 is an enlarged view of a portion of FIG. 10.
The shade lines show contour and not surface ornamentation. The broken lines in the Figures are for the purpose of illustrating unclaimed portions of the modular video support frame member and form no part of the claimed design.

Related U.S. Application Data

(63) Continuation of application No. 29/481,243, filed on Feb. 3, 2014, now Pat. No. Des. 736,750.

(51) **LOC (10) Cl.** **14-03**

(52) **U.S. Cl.**
USPC **D14/239**

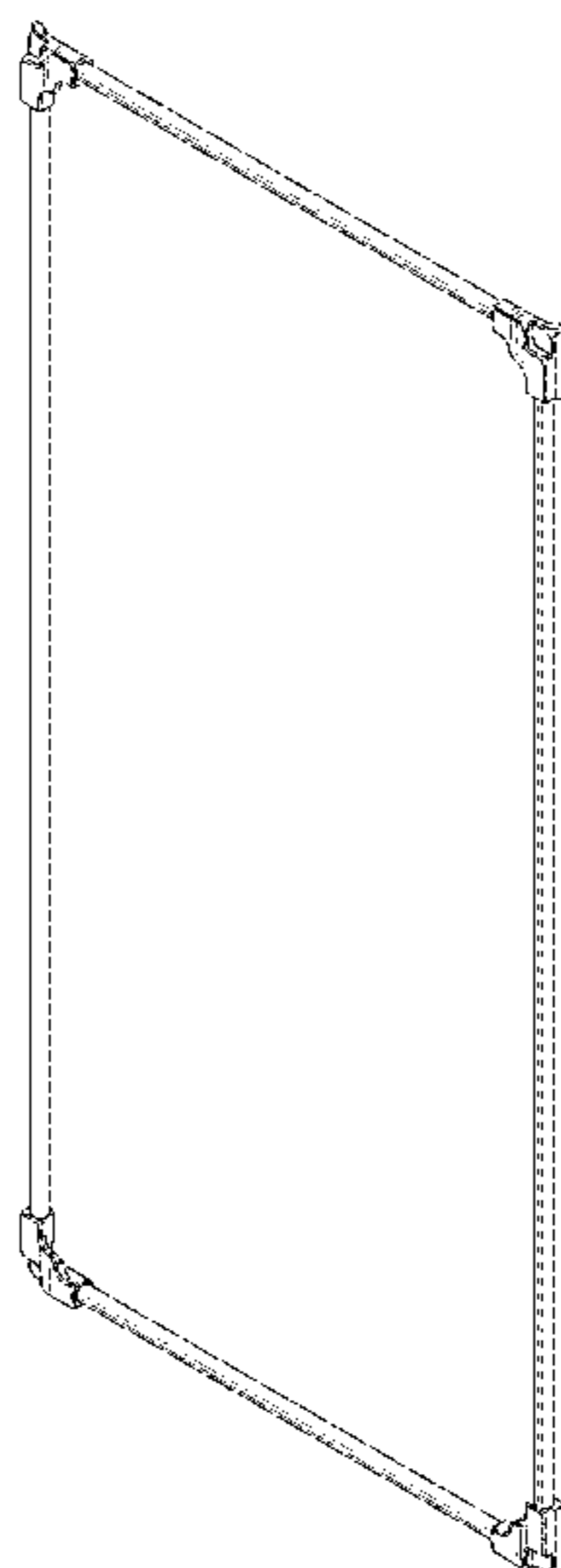
(58) **Field of Classification Search**

USPC D14/125-134, 239, 371, 136, 374-377, D14/440, 450, 448, 336, 342; 312/7.2; 348/836, 838, 180, 184, 325, 739; 341/12; 248/917-924, 465, 309.2; 345/104, 133, 156, 168, 87, 173; 720/605, 669, 600, 655; 369/99, 197; 455/344, 347; D21/329, 515, 577, 622, D21/333, 433, 448, 452, 450, 331; D6/477, D6/479, 300; 273/148 B; 446/484, 175, 446/356; D10/15, 26; 361/801, 802, 754, 361/728; 257/88

CPC H04N 1/00

See application file for complete search history.

1 Claim, 16 Drawing Sheets



(56)

References Cited

U.S. PATENT DOCUMENTS

5,647,652 A 7/1997 Zalewski et al.
6,065,854 A 5/2000 West et al.
6,647,652 B1 * 11/2003 Seiber 40/606.1
7,604,481 B2 * 10/2009 Owen et al. 434/408
D637,025 S * 5/2011 Colin D6/705

D670,936 S 11/2012 Davis
D672,168 S 12/2012 Davis
8,596,599 B1 * 12/2013 Carson et al. 248/429
D702,670 S 4/2014 Davis
8,693,093 B2 4/2014 Kepley, Jr.
9,069,519 B1 * 6/2015 Hall
2007/0000849 A1 1/2007 Lutz et al.
2010/0243843 A1 9/2010 Tait et al.

* cited by examiner

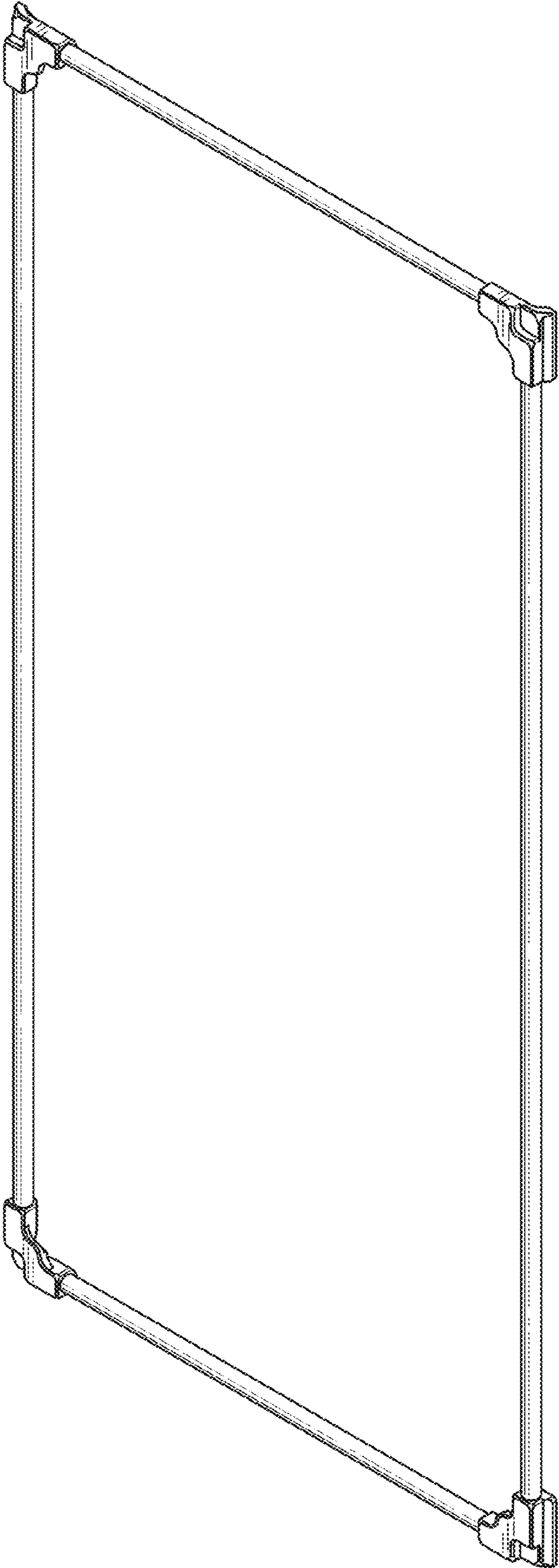


FIG. 1

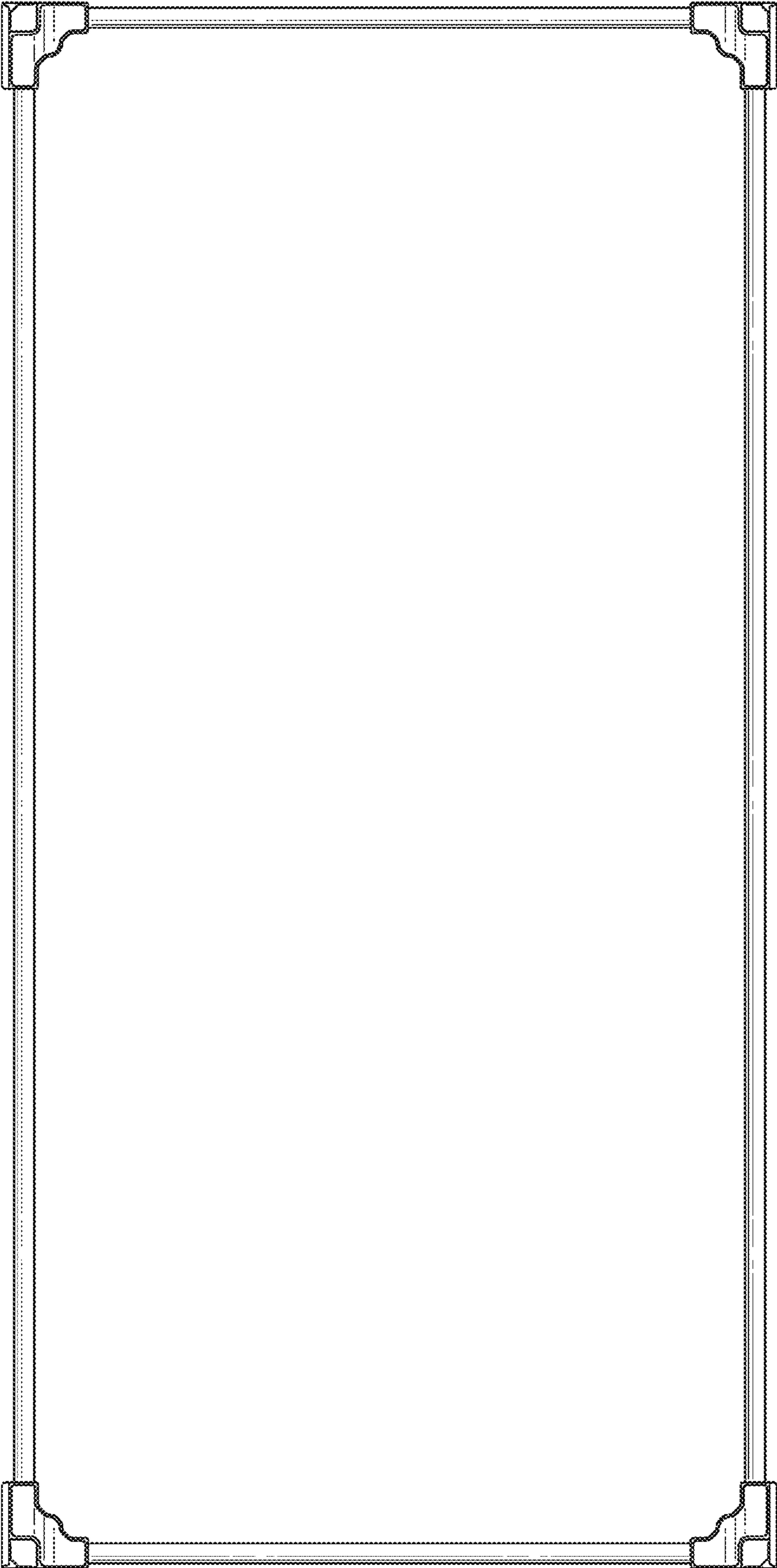


FIG. 2

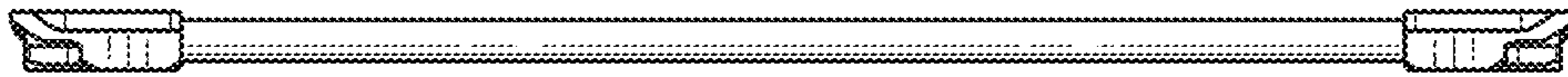


FIG. 3

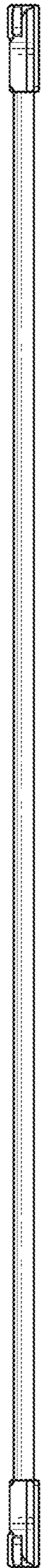


FIG. 4

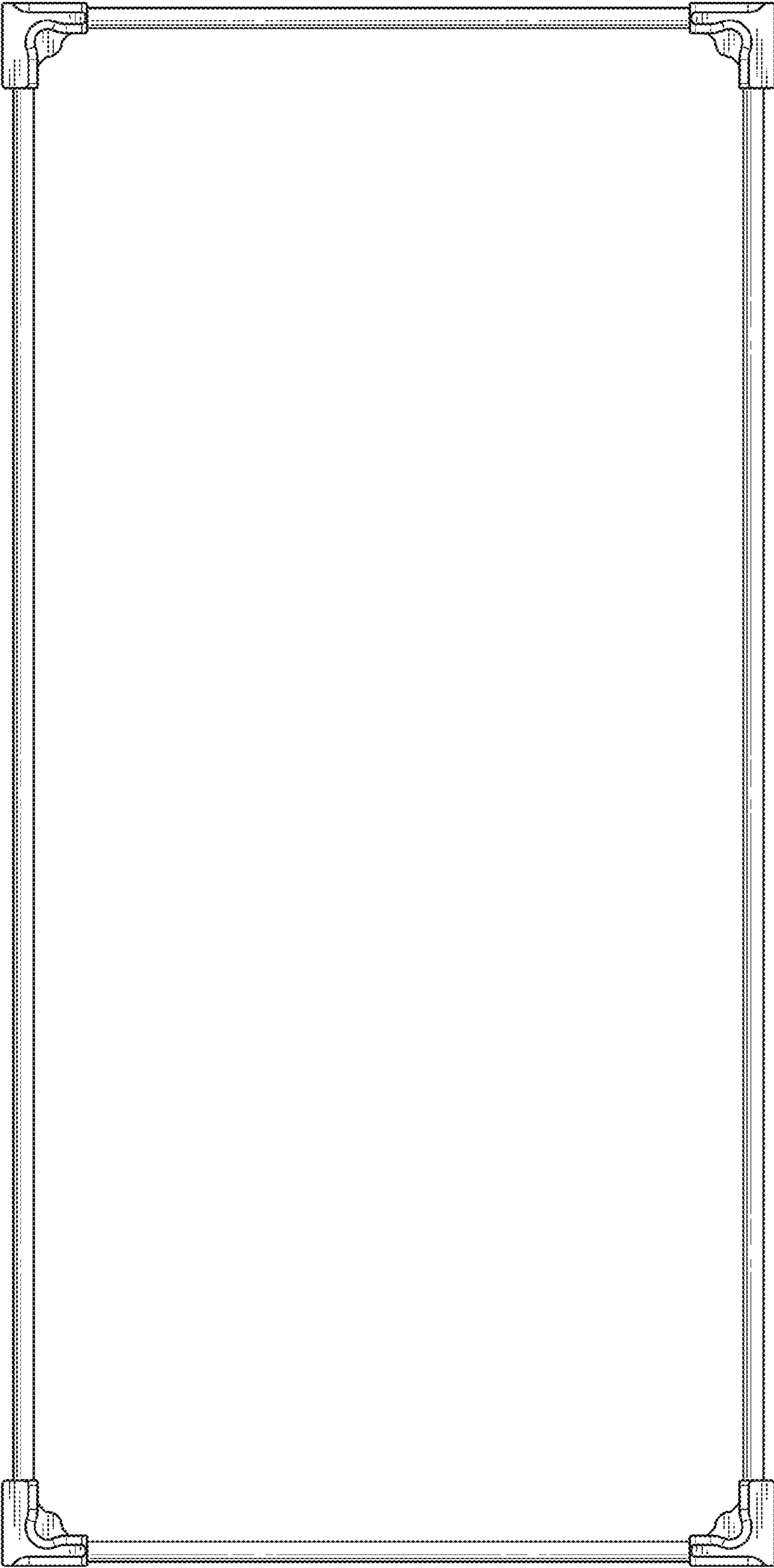


FIG. 5

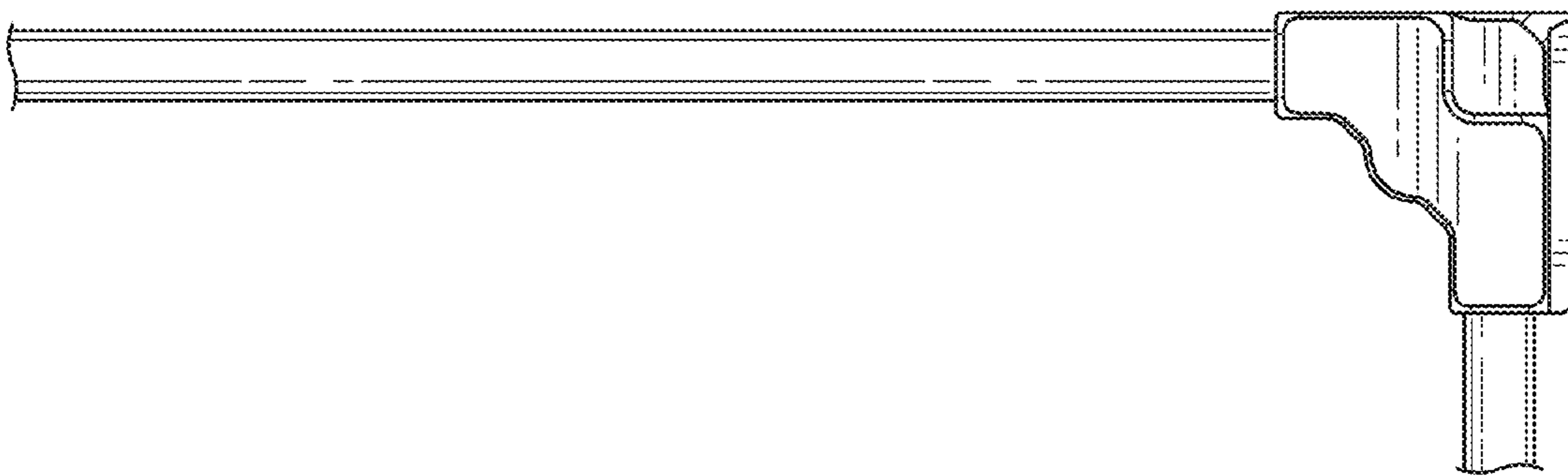


FIG. 6

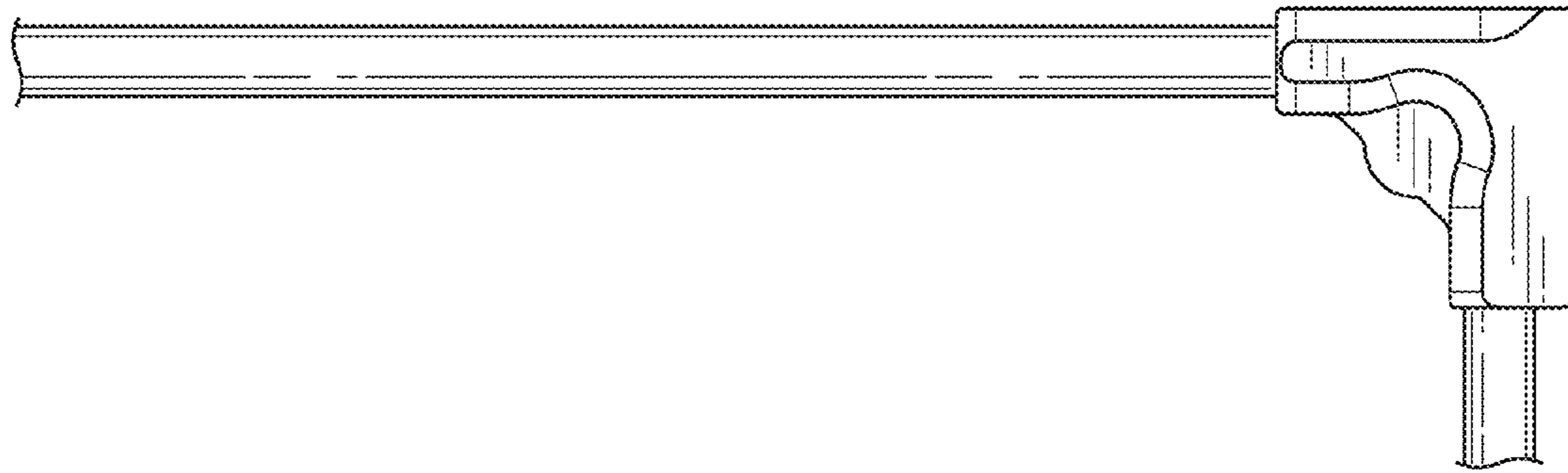


FIG. 7

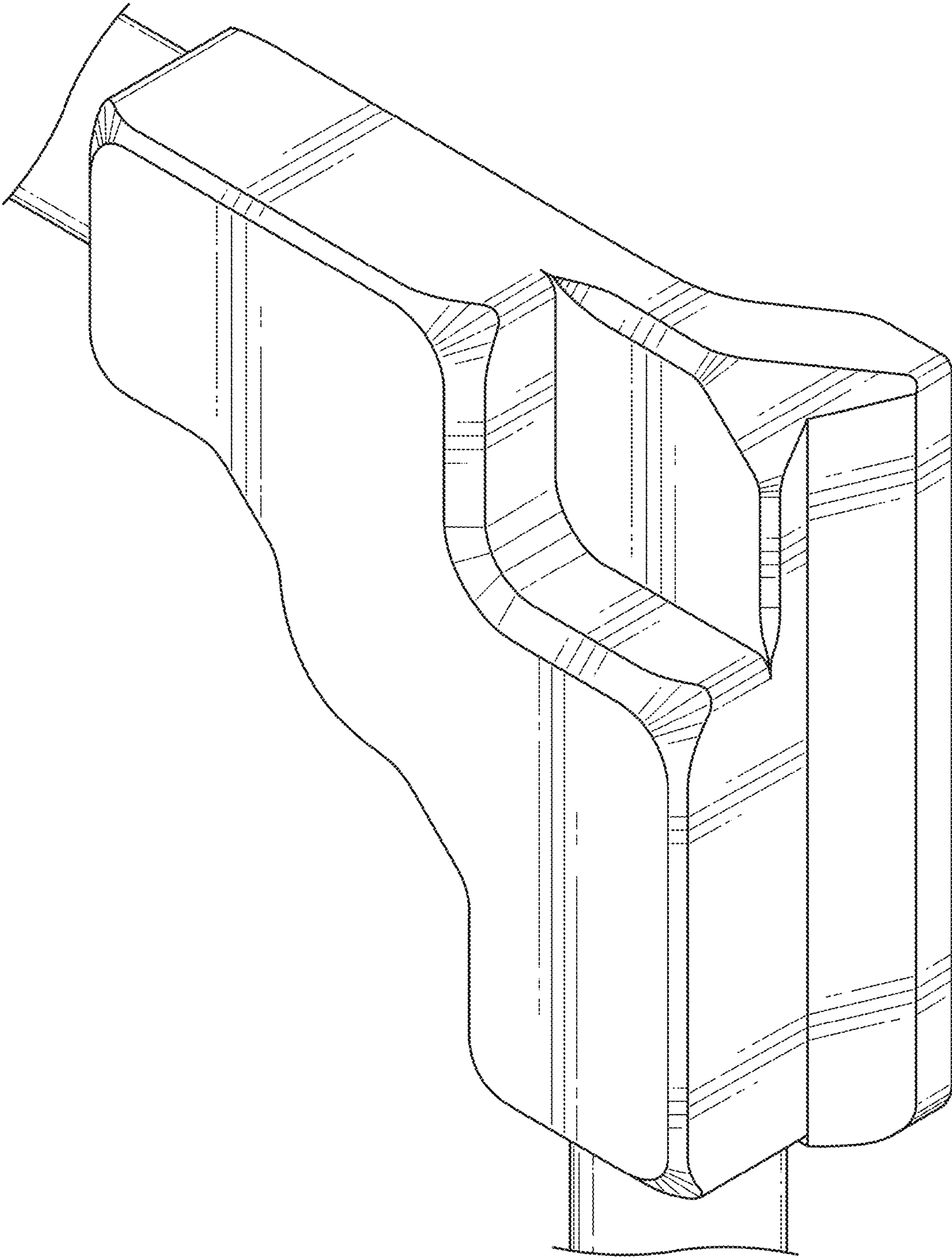


FIG. 8

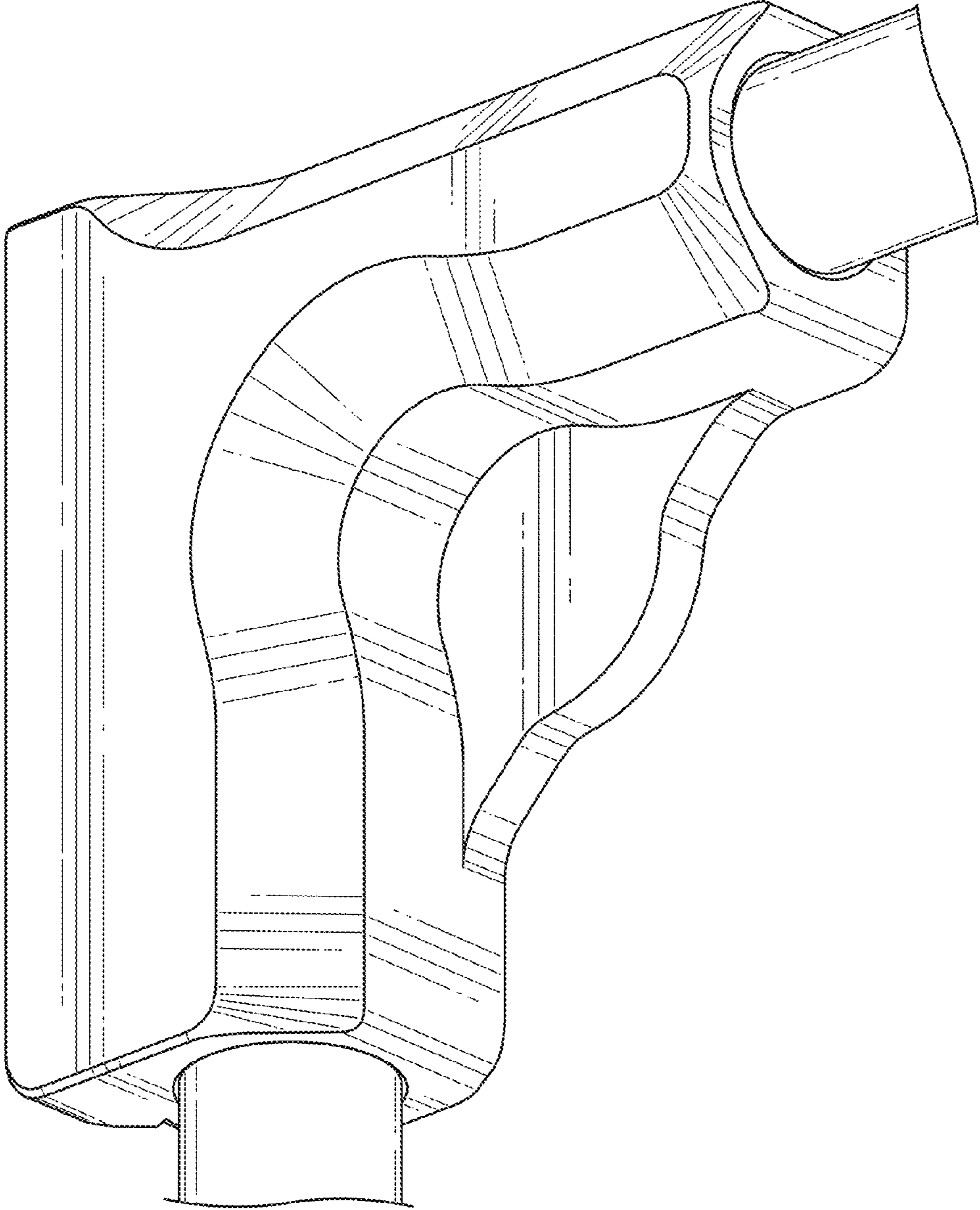


FIG. 9

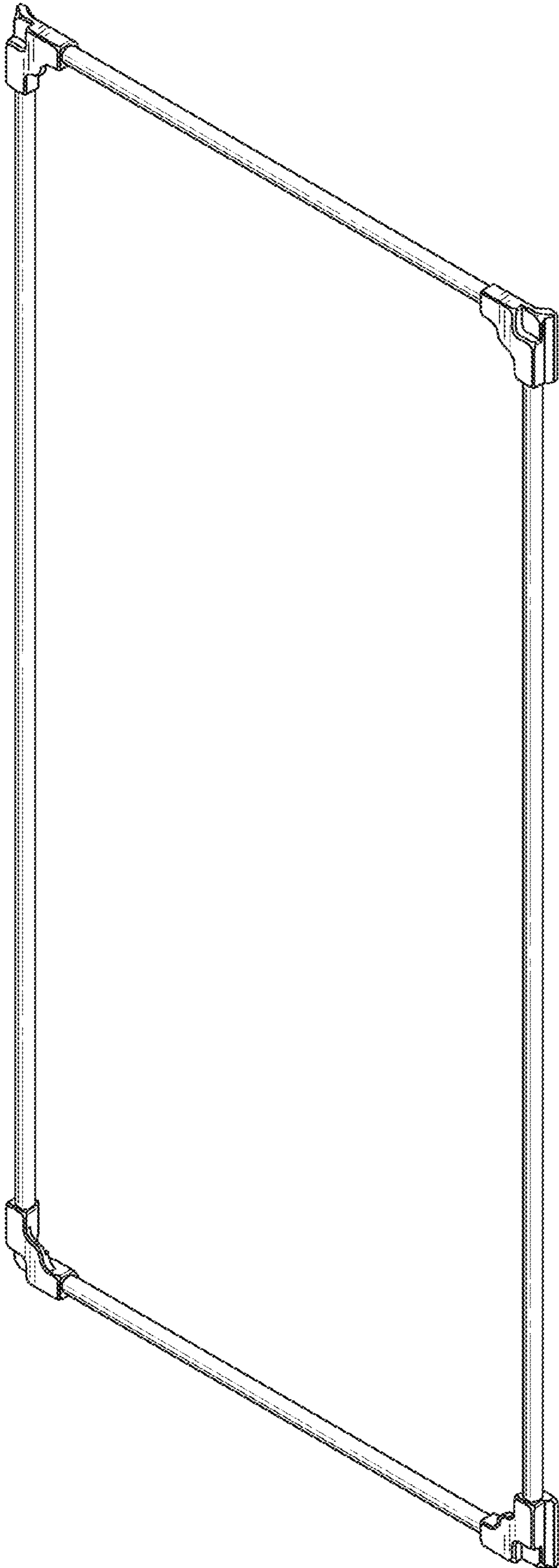


FIG. 10

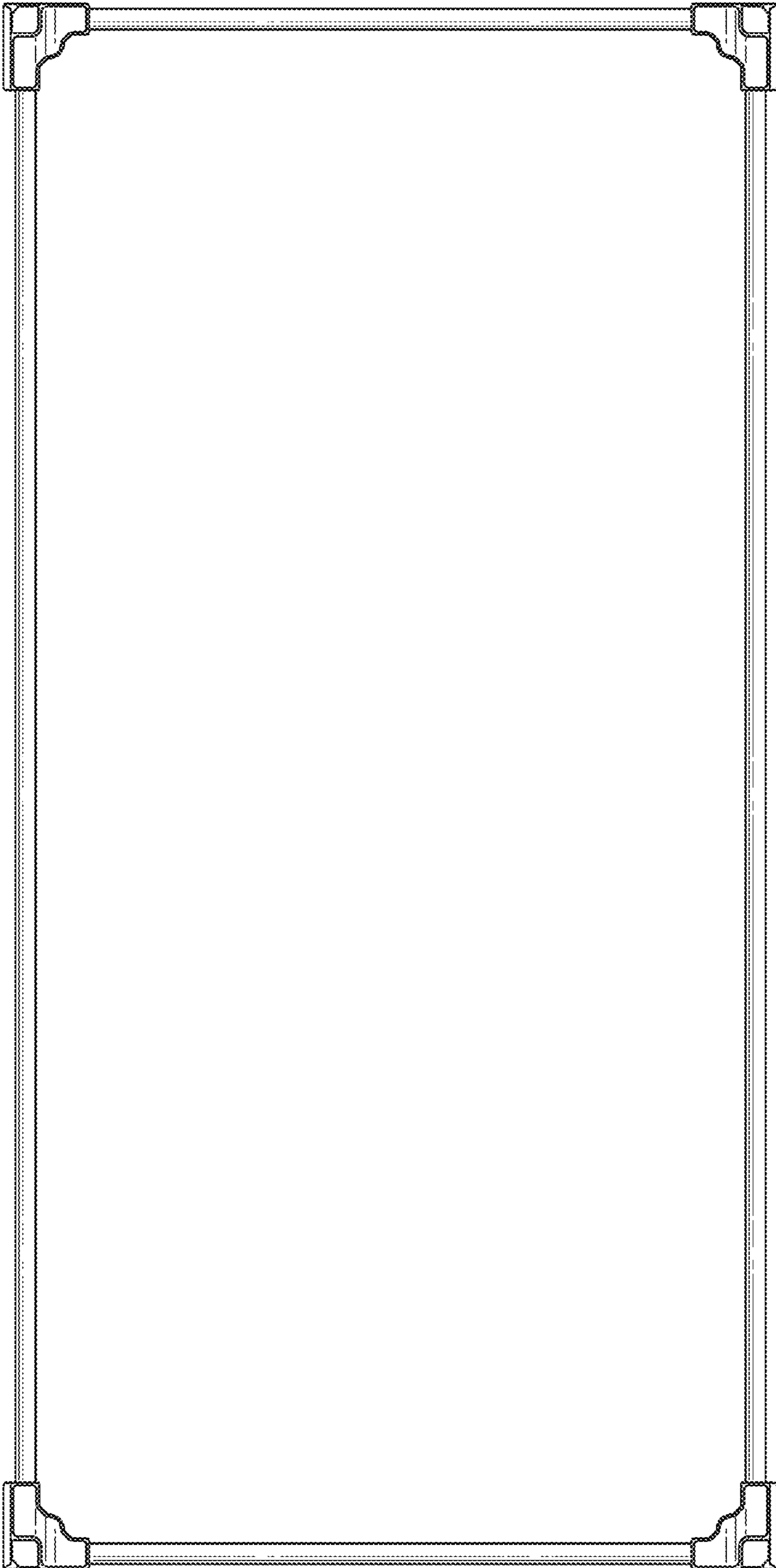


FIG. 11

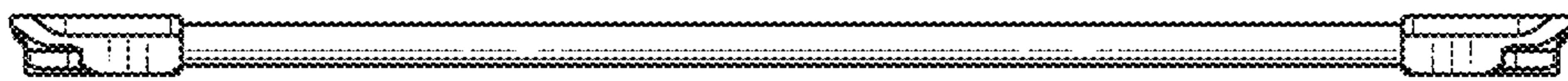


FIG. 12

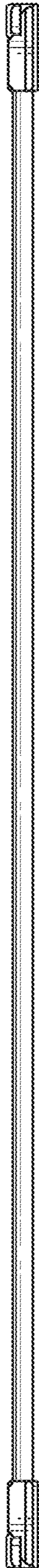


FIG. 13

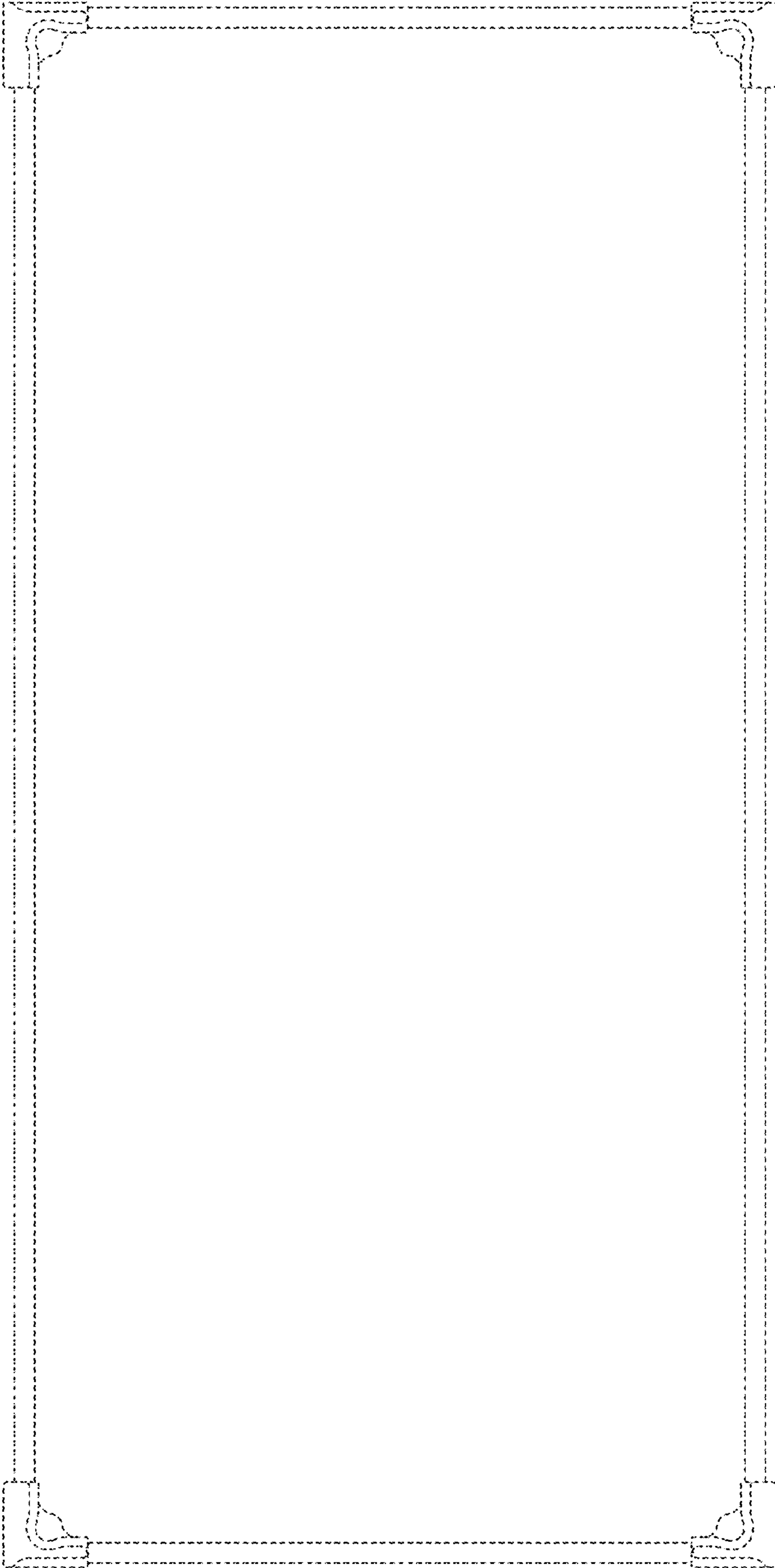


FIG. 14

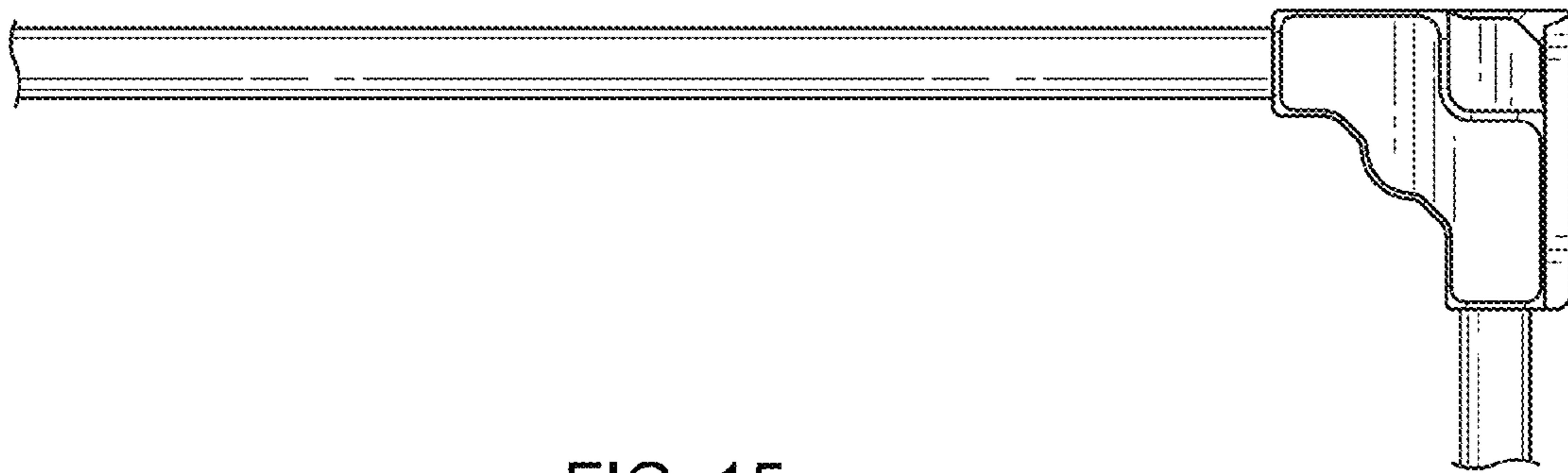


FIG. 15

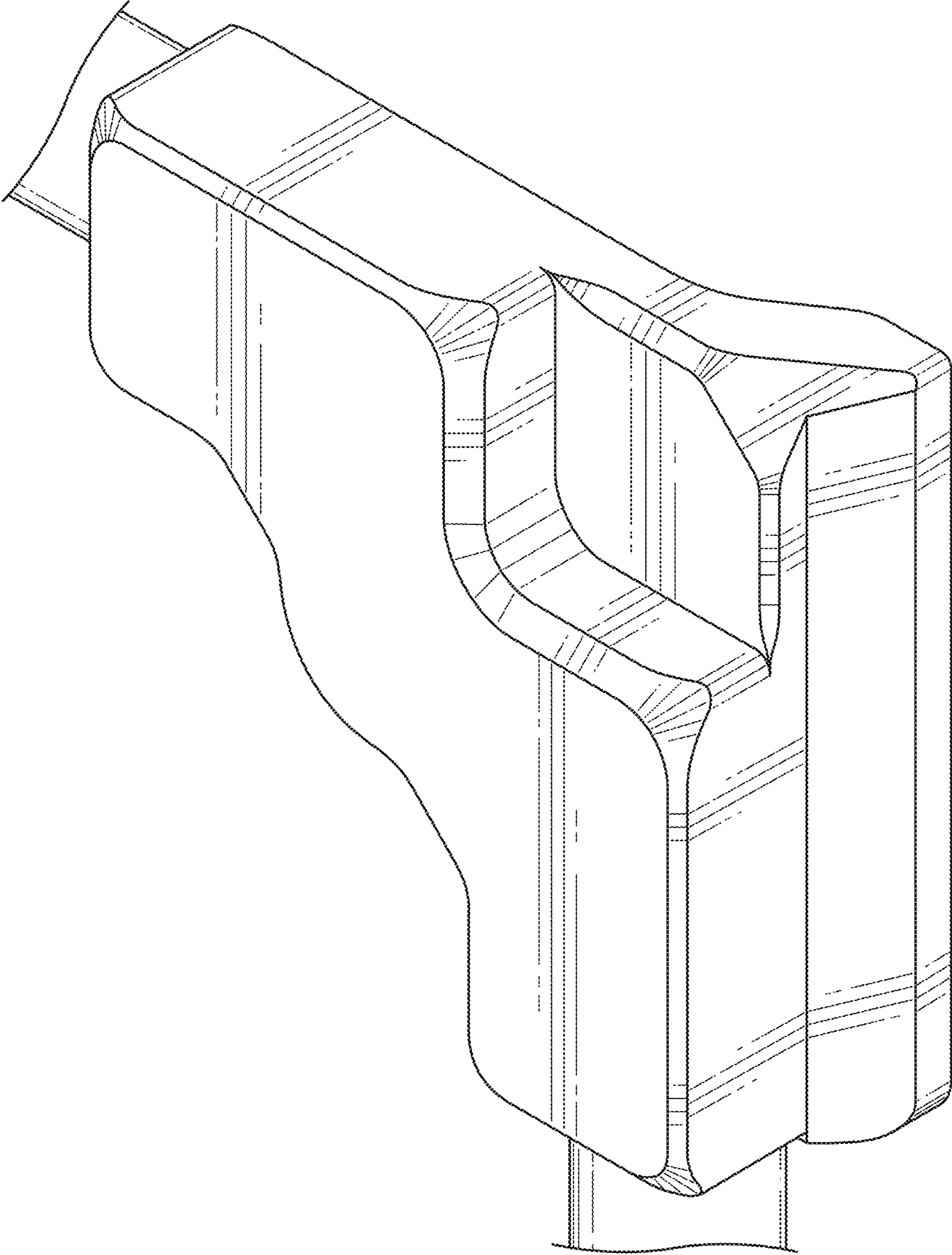


FIG. 16