

US00D752025S

(12) **United States Design Patent**
Akana et al.

(10) **Patent No.:** **US D752,025 S**
(45) **Date of Patent:** **** Mar. 22, 2016**

(54) **REMOTE CONTROL**

(71) Applicant: **Apple Inc.**, Cupertino, CA (US)
(72) Inventors: **Jody Akana**, San Francisco, CA (US);
Bartley K. Andre, Palo Alto, CA (US);
Jeremy Bataillou, San Francisco, CA (US);
Daniel J. Coster, San Francisco, CA (US);
Daniele De Iuliis, San Francisco, CA (US);
M. Evans Hankey, San Francisco, CA (US);
Richard P. Howarth, San Francisco, CA (US);
Jonathan P. Ive, San Francisco, CA (US);
Duncan Robert Kerr, San Francisco, CA (US);
Shin Nishibori, Kailua, HI (US);
Matthew Dean Rohrbach, San Francisco, CA (US);
Peter Russell-Clarke, San Francisco, CA (US);
Christopher J. Stringer, Woodside, CA (US);
Eugene Antony Whang, San Francisco, CA (US);
Rico Zörkendörfer, San Francisco, CA (US)

(73) Assignee: **Apple Inc.**, Cupertino, CA (US)

(**) Term: **14 Years**

(21) Appl. No.: **29/489,736**

(22) Filed: **May 2, 2014**

Related U.S. Application Data

(60) Continuation of application No. 29/485,556, filed on Mar. 20, 2014, which is a continuation of application

(Continued)

(51) **LOC (10) Cl.** **14-03**

(52) **U.S. Cl.**
USPC **D14/218**

(58) **Field of Classification Search**
USPC D14/217–218, 299, 174; D13/168,
D13/162.1

CPC . H04N 5/23203; H04N 7/142; G05D 1/0038;
G08C 23/04; G08C 17/02

See application file for complete search history.

(56) **References Cited**

U.S. PATENT DOCUMENTS

2,521,423 A 9/1950 Stuck
D299,922 S 2/1989 Schremmer

(Continued)

FOREIGN PATENT DOCUMENTS

JP D1204966 5/2004
JP D1219575 * 10/2004
JP D1265144 * 3/2006

OTHER PUBLICATIONS

Amazon.com: Apple Remote—Mac, iPod or iPhone, oldest review Dec. 17, 2009, online, http://www.amazon.com/Apple-Remote-iPod-iPhone-MC377LL/dp/B002TPFNXS/ref=sr_1_2?ie=UTF8&qid=1433979813&sr=8-2&keywords=apple+remote, site visited [Jun. 10, 2015 7:44:31 PM].*

(Continued)

Primary Examiner — John Windmuller

Assistant Examiner — John R Yeh

(74) *Attorney, Agent, or Firm* — Sterne, Kessler, Goldstein & Fox P.L.L.C.

(57) **CLAIM**

The ornamental design for a remote control, as shown and described.

DESCRIPTION

FIG. 1 is a bottom front perspective view of a remote control showing our new design;

FIG. 2 is a bottom rear perspective view thereof;

FIG. 3 is top front perspective view thereof;

FIG. 4 is top rear perspective view thereof;

FIG. 5 is a front view thereof;

FIG. 6 is a rear view thereof;

FIG. 7 is a left side view thereof;

FIG. 8 is right side view thereof;

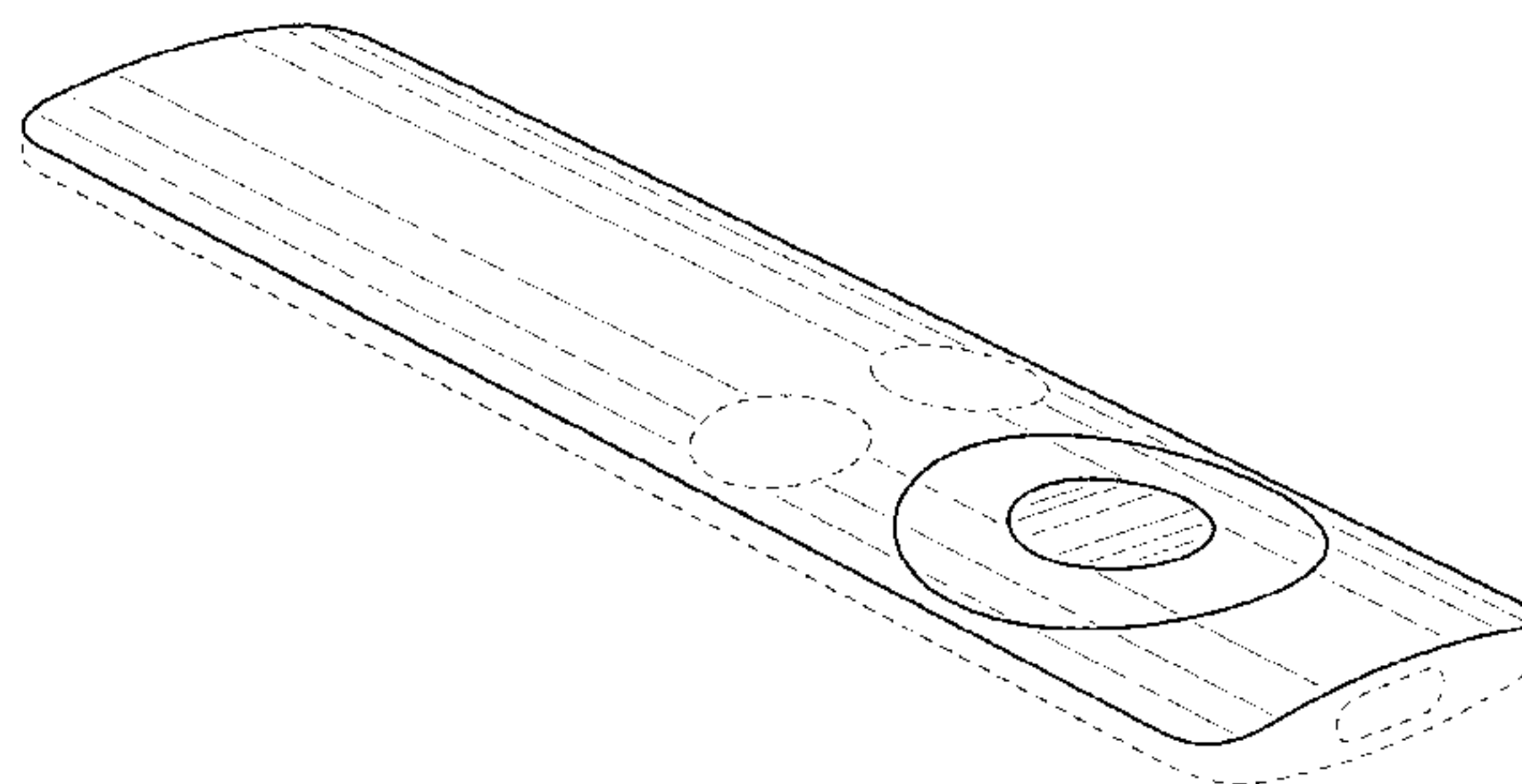
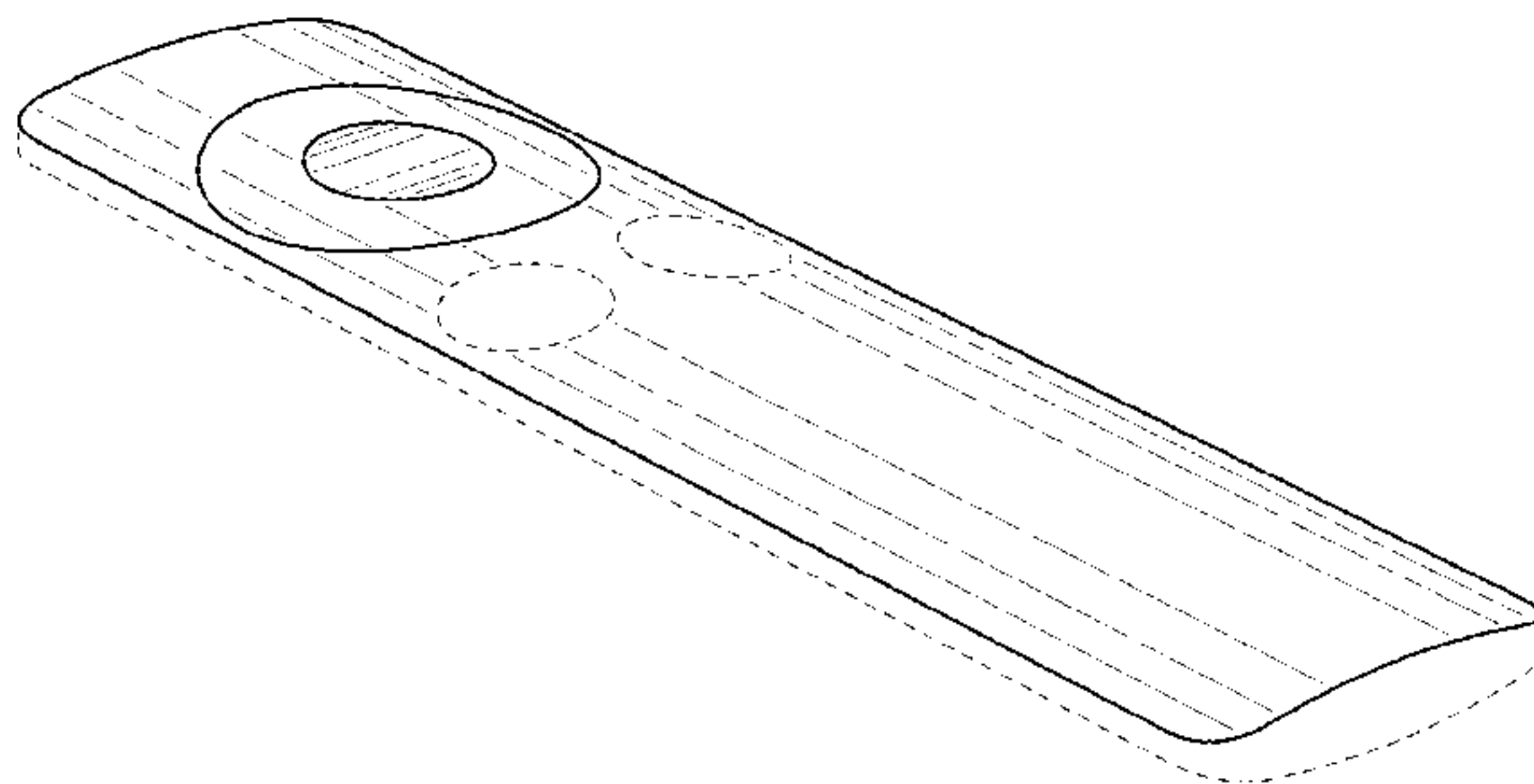
FIG. 9 is a top plan view thereof; and,

FIG. 10 is a bottom plan view thereof.

The shade lines in the Figures show contour and not surface ornamentation.

The broken lines in the Figures show portions of the remote control that form no part of the claimed design.

1 Claim, 4 Drawing Sheets



Related U.S. Application Data

No. 29/432,443, filed on Oct. 15, 2012, now Pat. No. Des. 704,167, which is a continuation of application No. 29/404,056, filed on Oct. 14, 2011, now Pat. No. Des. 669,452, which is a continuation of application No. 29/391,544, filed on May 10, 2011, now Pat. No. Des. 649,138, which is a continuation of application No. 29/366,344, filed on Jul. 23, 2010, now Pat. No. Des. 642,161, which is a division of application No. 29/345,286, filed on Oct. 13, 2009, now Pat. No. Des. 620,456.

(56)

References Cited

U.S. PATENT DOCUMENTS

D381,663 S	7/1997	Friis	
D396,860 S	8/1998	Yasutomi	
D433,404 S	11/2000	Thakur	
D475,359 S	6/2003	Hirose	
D477,590 S	7/2003	Ahn	
D496,031 S	9/2004	Ma et al.	
D500,301 S	12/2004	Deguchi	
D500,485 S	1/2005	Deguchi	
D506,476 S	6/2005	Andre et al.	
D509,480 S	9/2005	Li	
D529,044 S	9/2006	Andre et al.	
D531,586 S	11/2006	Poulet	
D534,921 S	1/2007	Andre et al.	
D535,261 S	* 1/2007	Daniels	D13/168
D539,814 S	4/2007	Andre et al.	
D547,327 S	7/2007	Kin	
D548,195 S	8/2007	Poulet	
D550,703 S	9/2007	Koizumi	
D550,714 S	9/2007	Ferraboshi	
D551,215 S	9/2007	Lee, Jr. et al.	
D556,154 S	11/2007	Poulet et al.	
D557,666 S	12/2007	Schroter	
D560,230 S	1/2008	Yagi	
D567,801 S	4/2008	Trappler	
D568,338 S	5/2008	Andre et al.	
D568,827 S	5/2008	Ikeda et al.	
D571,305 S	6/2008	Thursfield	
D578,168 S	10/2008	Looks et al.	
D580,456 S	* 11/2008	Oh et al.	D14/496
D584,292 S	1/2009	Knight	
D584,718 S	* 1/2009	Moller et al.	D14/218
D585,077 S	1/2009	Sheba et al.	
D585,876 S	2/2009	Griffin	

D588,611 S	3/2009	Oh et al.	
D589,963 S	4/2009	Sheba et al.	
D592,677 S	5/2009	Sheba et al.	
D595,669 S	7/2009	Endo et al.	
D596,163 S	7/2009	Madonna et al.	
D602,473 S	* 10/2009	Moller et al.	D14/218
D604,713 S	11/2009	Andre et al.	
D604,723 S	11/2009	Bodley et al.	
D605,635 S	12/2009	Edahiro et al.	
D606,519 S	12/2009	Painter	
D608,303 S	1/2010	Klausing et al.	
D608,765 S	1/2010	Tsai et al.	
D609,695 S	2/2010	Cigliano et al.	
D611,433 S	3/2010	Tang et al.	
D620,456 S	* 7/2010	Akana et al.	D13/168
D621,371 S	* 8/2010	Sheppard et al.	D13/168
D622,696 S	8/2010	Akana et al.	
D626,530 S	11/2010	Andre et al.	
D631,851 S	2/2011	Smith et al.	
D633,478 S	* 3/2011	Bolton	D14/218
D647,510 S	10/2011	Maier et al.	
D647,511 S	10/2011	Maier et al.	
D648,285 S	* 11/2011	Kashimoto	D13/168
D649,138 S	* 11/2011	Akana et al.	D14/218
D651,589 S	1/2012	Fischer	
D652,820 S	* 1/2012	Peh	D14/218
D656,488 S	* 3/2012	Nakayama et al.	D14/218
D661,688 S	* 6/2012	Weitgasser	D14/218
D661,689 S	* 6/2012	Weitgasser	D14/218
D673,137 S	12/2012	Maier et al.	
D679,266 S	* 4/2013	Shin et al.	D14/218
D687,815 S	* 8/2013	Hwangho et al.	D14/218
D695,272 S	* 12/2013	Hansen et al.	D14/218
D703,188 S	* 4/2014	Maier et al.	D14/218
D703,190 S	* 4/2014	Zaslavsky et al.	D14/218
D704,167 S	* 5/2014	Akana et al.	D14/218
D705,755 S	* 5/2014	Zaslavsky et al.	D14/218
2004/0125078	A1	7/2004	Nishimori et al.
2005/0024321	A1	2/2005	Tsai
2005/0030434	A1*	2/2005	Sata et al. 348/734
2011/0316664	A1*	12/2011	Olcott et al. 340/4.37

OTHER PUBLICATIONS

AnandTech | ASRock CoreHT 252B Review Sep. 2, 2011, online, <http://www.anandtech.com/show/4713/asrock-coreht-252b-review/> 3, [site visited Sep. 30, 2014 9:27:52 PM].*
 Search Report For New Design Patnt [sic] Application ROC (Taiwan) New Design Patent Application No. 099301163 (Translation). Date of Completion: Sep. 20, 2010.

* cited by examiner

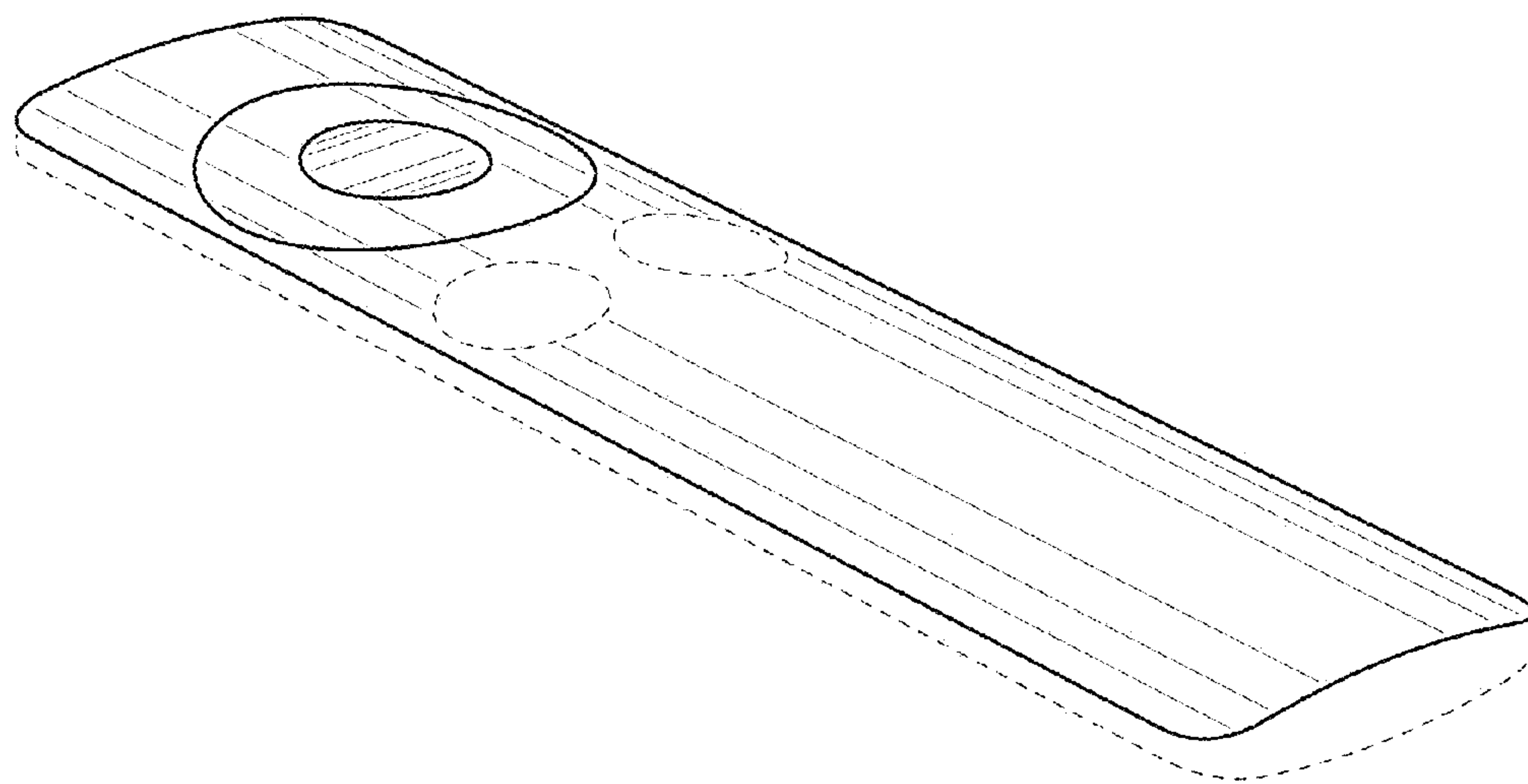


FIG. 1

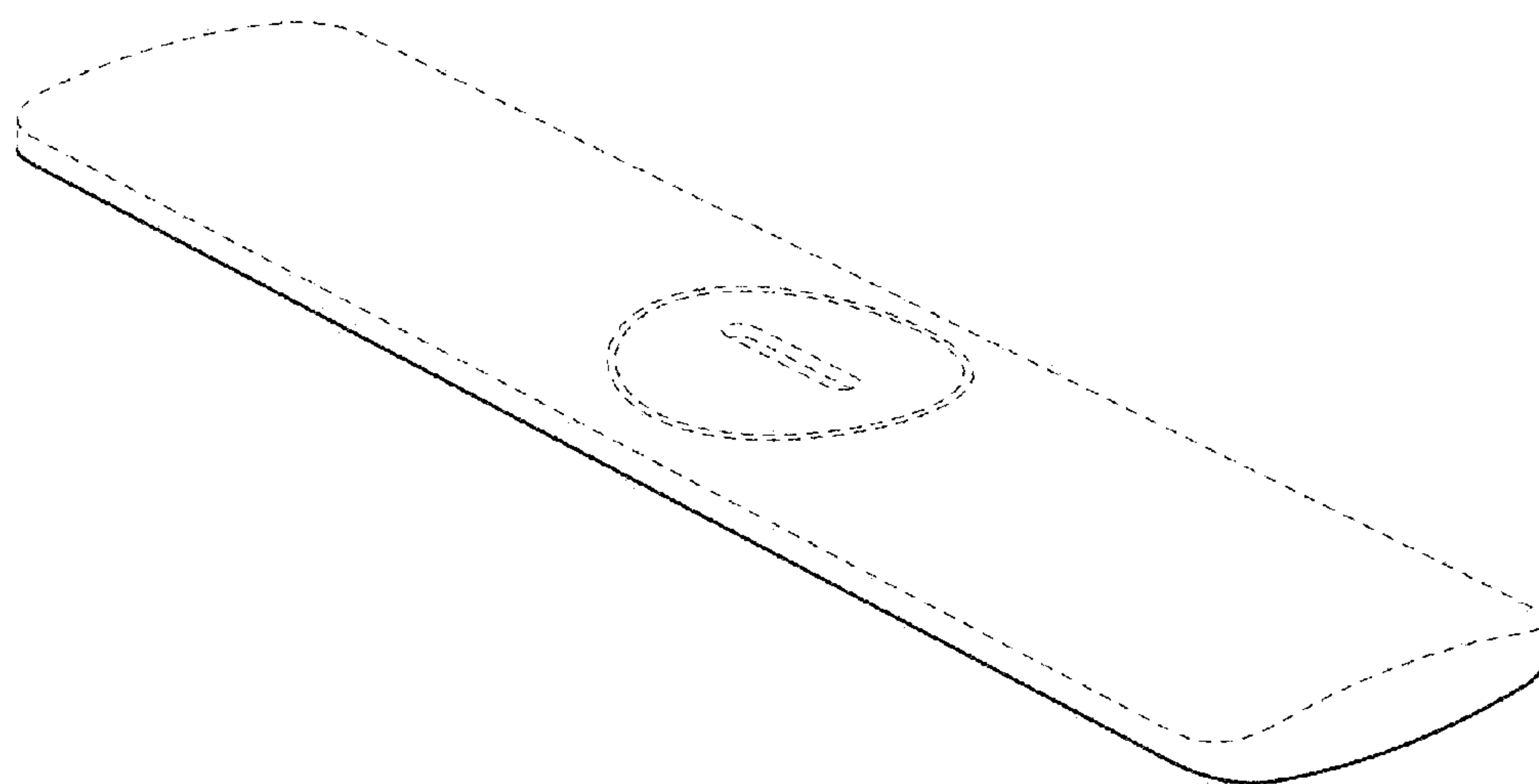


FIG. 2

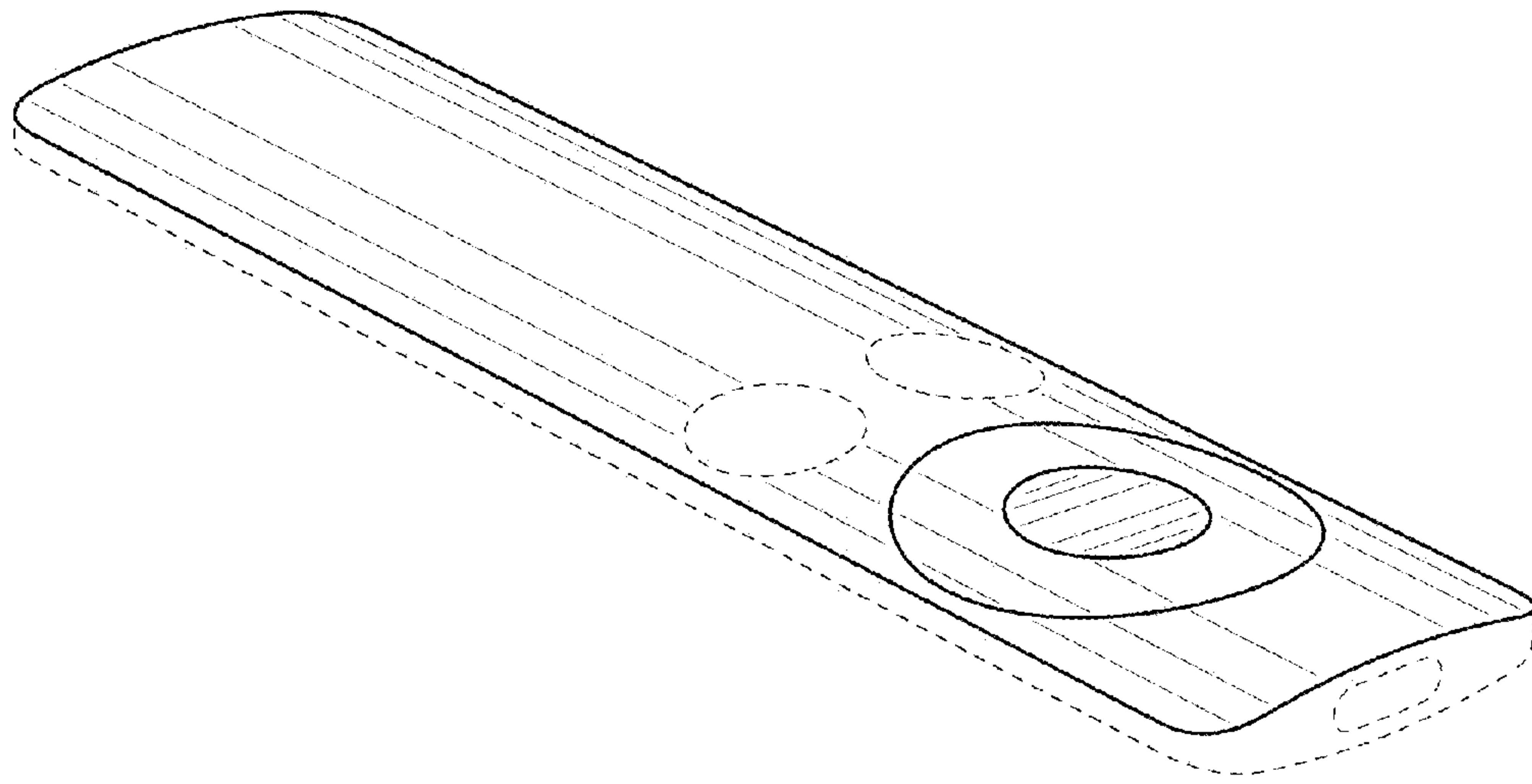


FIG. 3

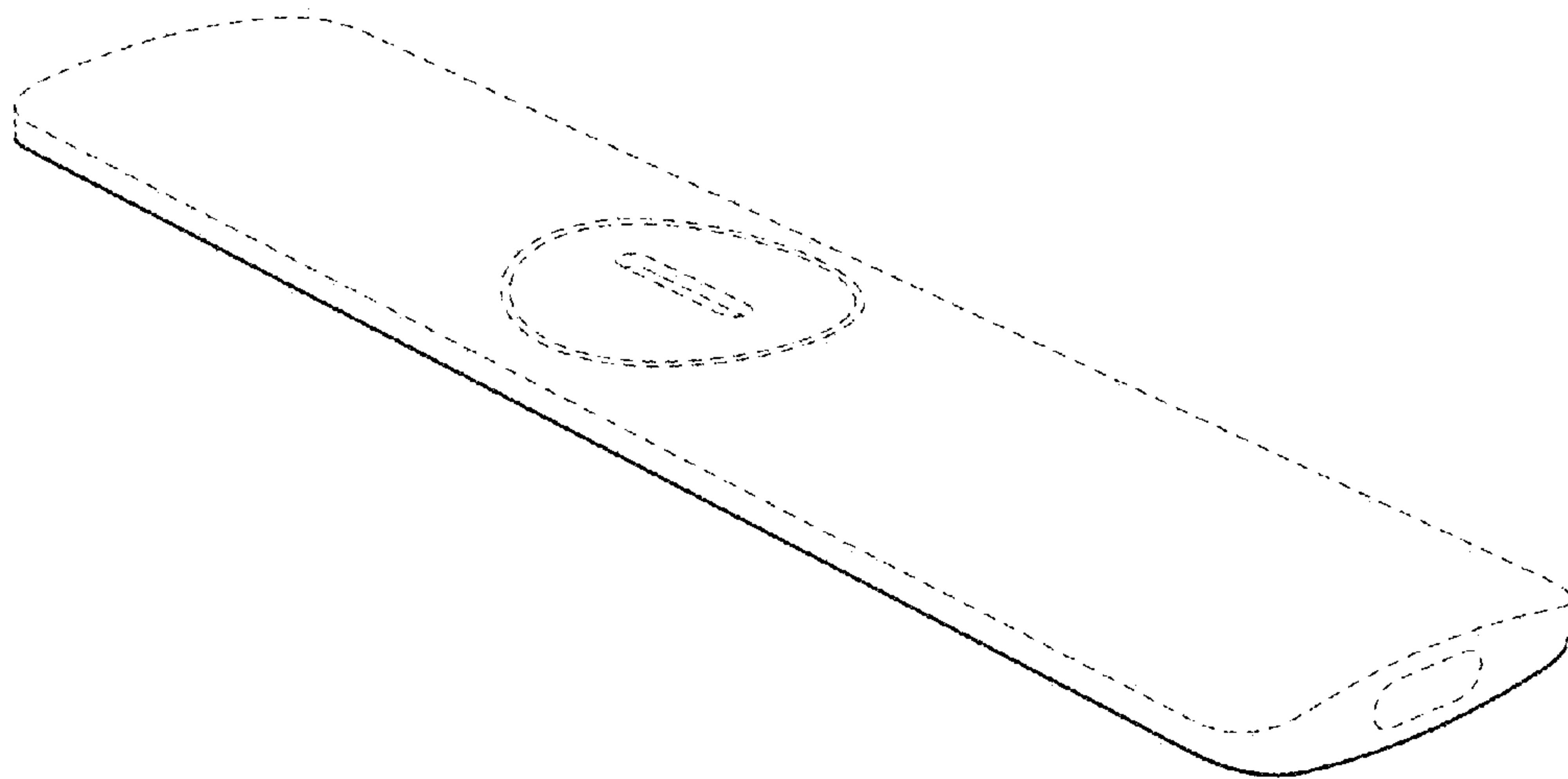


FIG. 4

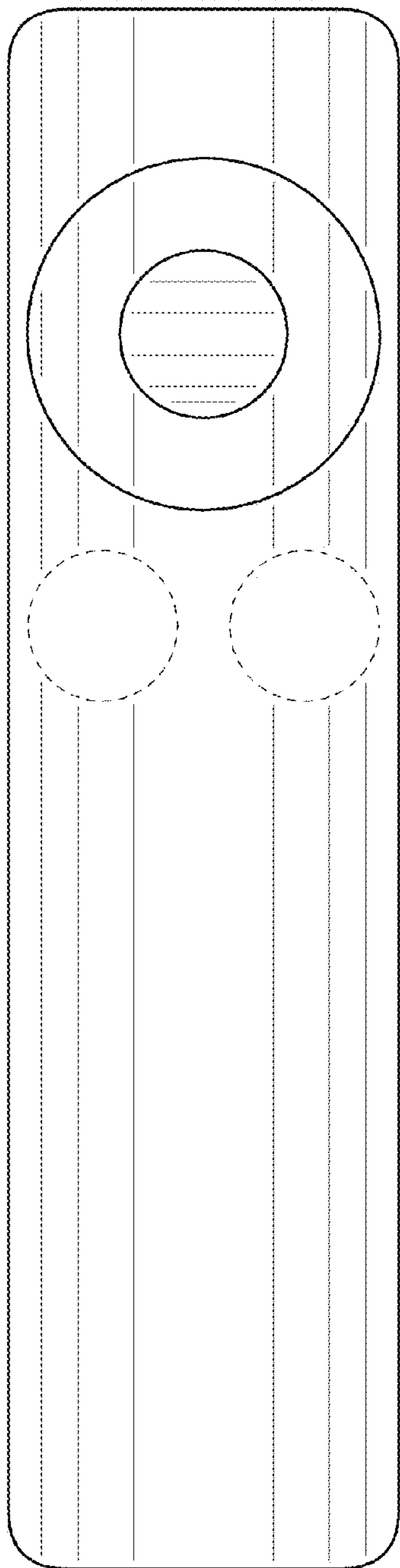


FIG. 5

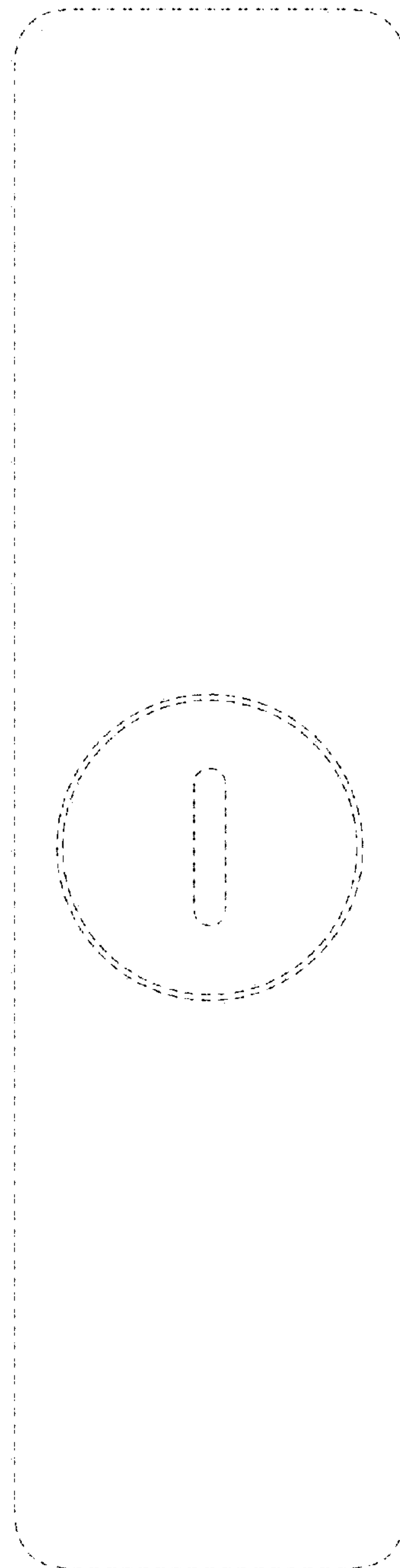


FIG. 6

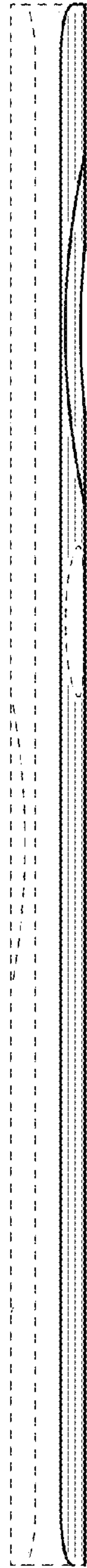


FIG. 7

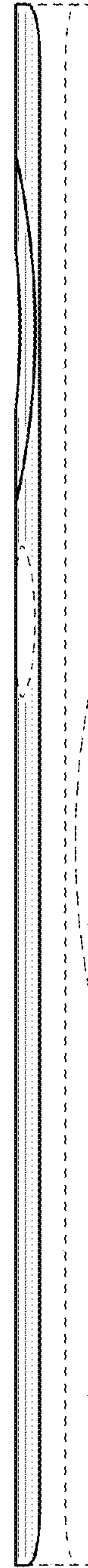


FIG. 8



FIG. 9

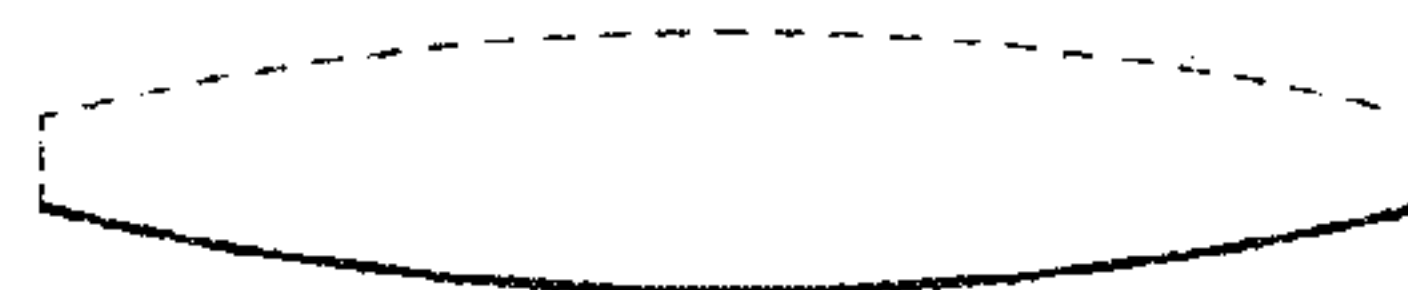


FIG. 10