



US00D752024S

(12) **United States Design Patent**
Kachwalla

(10) **Patent No.:** **US D752,024 S**
(45) **Date of Patent:** **** Mar. 22, 2016**

(54) **LOUDSPEAKER**

2400/07; H04R 2499/11; H04R 2499/13;
H04R 2499/15; H04S 3/00; H04S 7/30

(71) Applicant: **Harman International Industries, Incorporated**, Northridge, CA (US)

See application file for complete search history.

(72) Inventor: **Irfan Kachwalla**, Shenzhen (CN)

(56) **References Cited**

(73) Assignee: **Harman International Industries, Incorporated**, Northridge, CA (US)

U.S. PATENT DOCUMENTS

(**) Term: **14 Years**

| | | | |
|--------------|--------|----------------|-----------|
| D487,276 S * | 3/2004 | Cobigo | D10/104.1 |
| D536,665 S * | 2/2007 | Solland | D13/108 |
| D547,746 S * | 7/2007 | Allen | D14/211 |
| D587,238 S * | 2/2009 | Xie | D14/172 |
| D655,686 S * | 3/2012 | Miu | D14/170 |
| D700,168 S * | 2/2014 | Bolton | D14/216 |
| D733,098 S * | 6/2015 | Takamoto | D14/215 |

(21) Appl. No.: **29/516,667**

(22) Filed: **Feb. 4, 2015**

* cited by examiner

Related U.S. Application Data

(63) Continuation of application No. 29/496,384, filed on Jul. 11, 2014, now abandoned.

Primary Examiner — Keli L Hill

(51) **LOC (10) Cl.** **14-03**

(74) *Attorney, Agent, or Firm* — Plumsea Law Group, LLC

(52) **U.S. Cl.**
USPC **D14/216**

(57) **CLAIM**

The ornamental design for a loudspeaker, as shown and described.

(58) **Field of Classification Search**

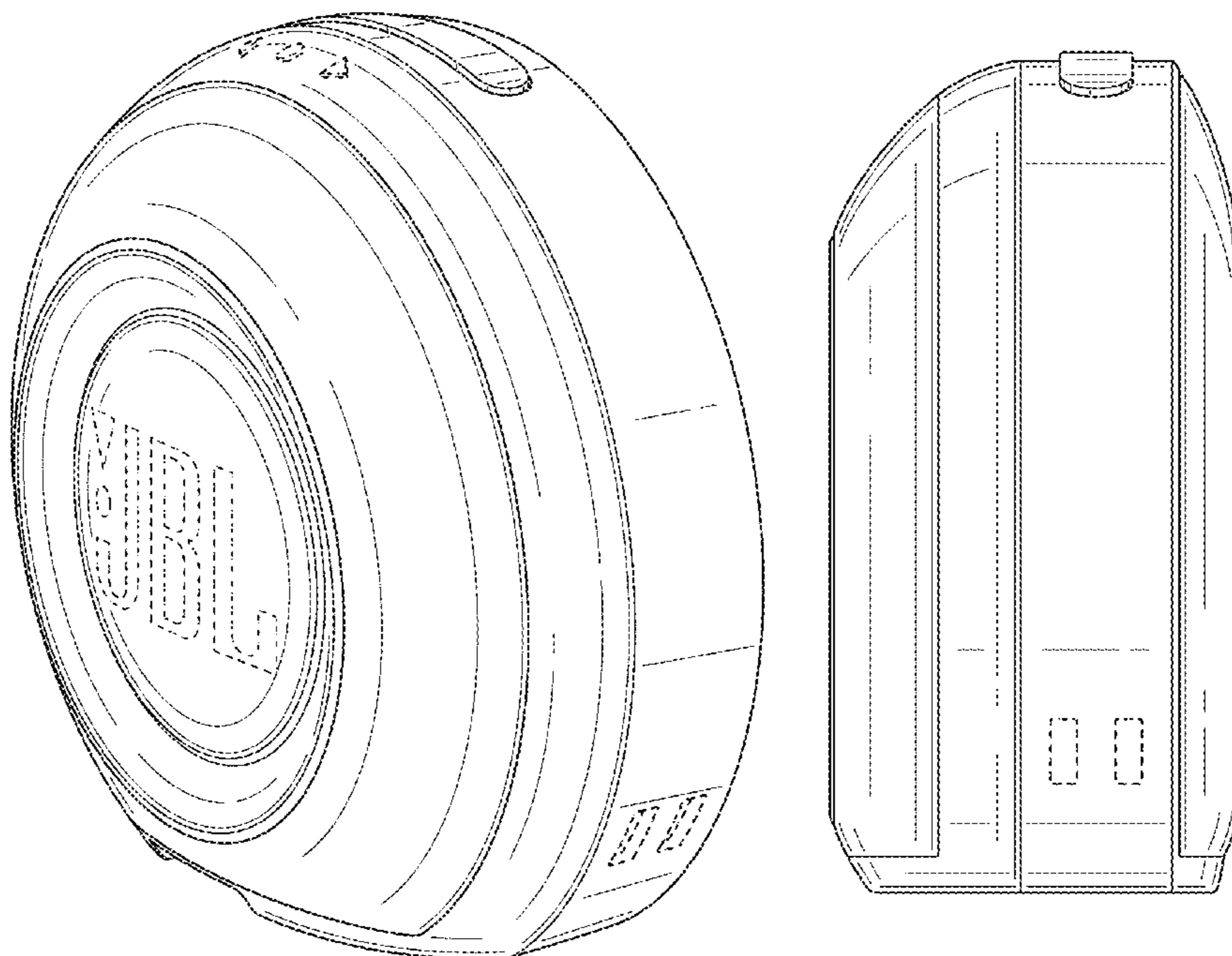
DESCRIPTION

USPC D14/167, 168, 170–172, 188, 194–196, D14/204, 207, 209.1, 210–216, 219, 221, D14/222, 224, 496; 181/143, 144, 147, 148, 181/150, 153, 157, 198, 199; 381/300–303, 381/306, 332, 333, 336, 345, 361–364, 381/386–388; 369/6–12

CPC B60R 11/0217; G06F 1/1688; H04M 1/03; H04M 1/035; H04R 1/02; H04R 1/06; H04R 1/021; H04R 1/025; H04R 1/026; H04R 1/028; H04R 1/105; H04R 1/323; H04R 1/403; H04R 1/2803; H04R 1/2834; H04R 5/02; H04R 7/20; H04R 9/06; H04R 9/025; H04R 2201/021; H04R 2400/00; H04R

FIG. 1 is a perspective view of a loudspeaker showing my new design;
 FIG. 2 is another perspective view thereof;
 FIG. 3 is a front elevational view thereof;
 FIG. 4 is a rear elevational view thereof;
 FIG. 5 is a side elevational view thereof;
 FIG. 6 is a side elevational view of the opposite side thereof;
 FIG. 7 is a top plan view thereof; and,
 FIG. 8 is a bottom plan view thereof.
 The broken line showings form no part of the claimed design.

1 Claim, 8 Drawing Sheets



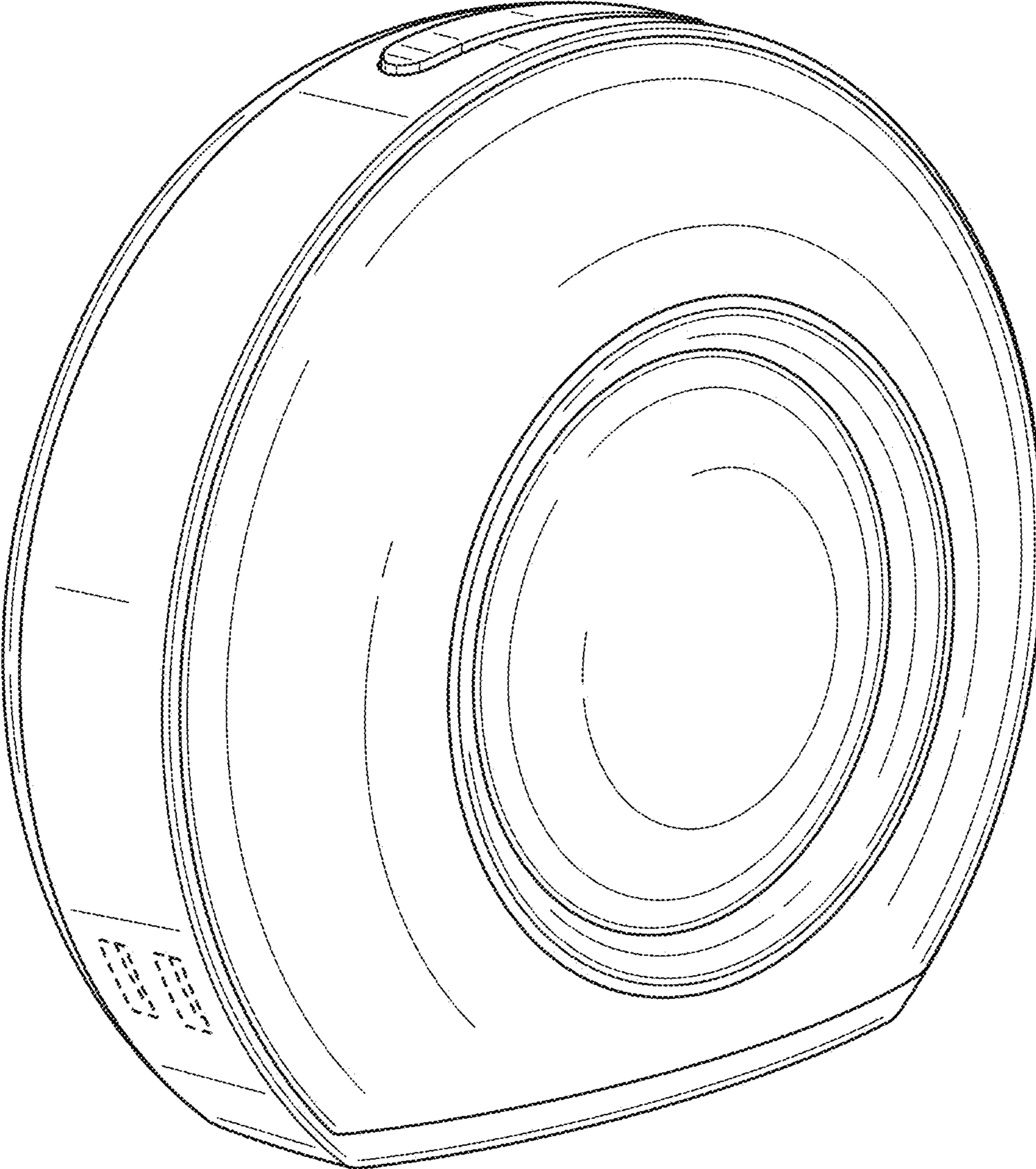


FIG. 1

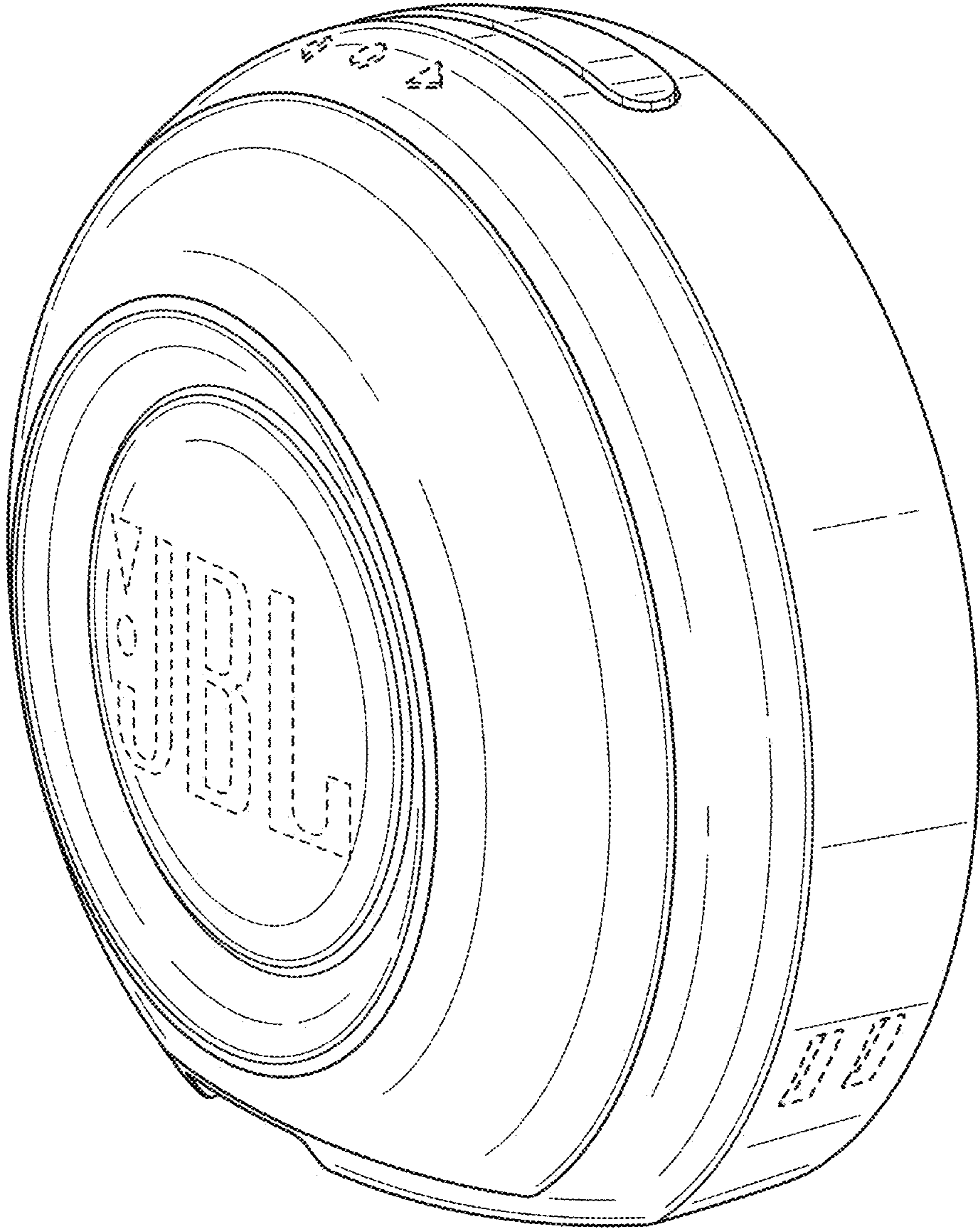


FIG. 2

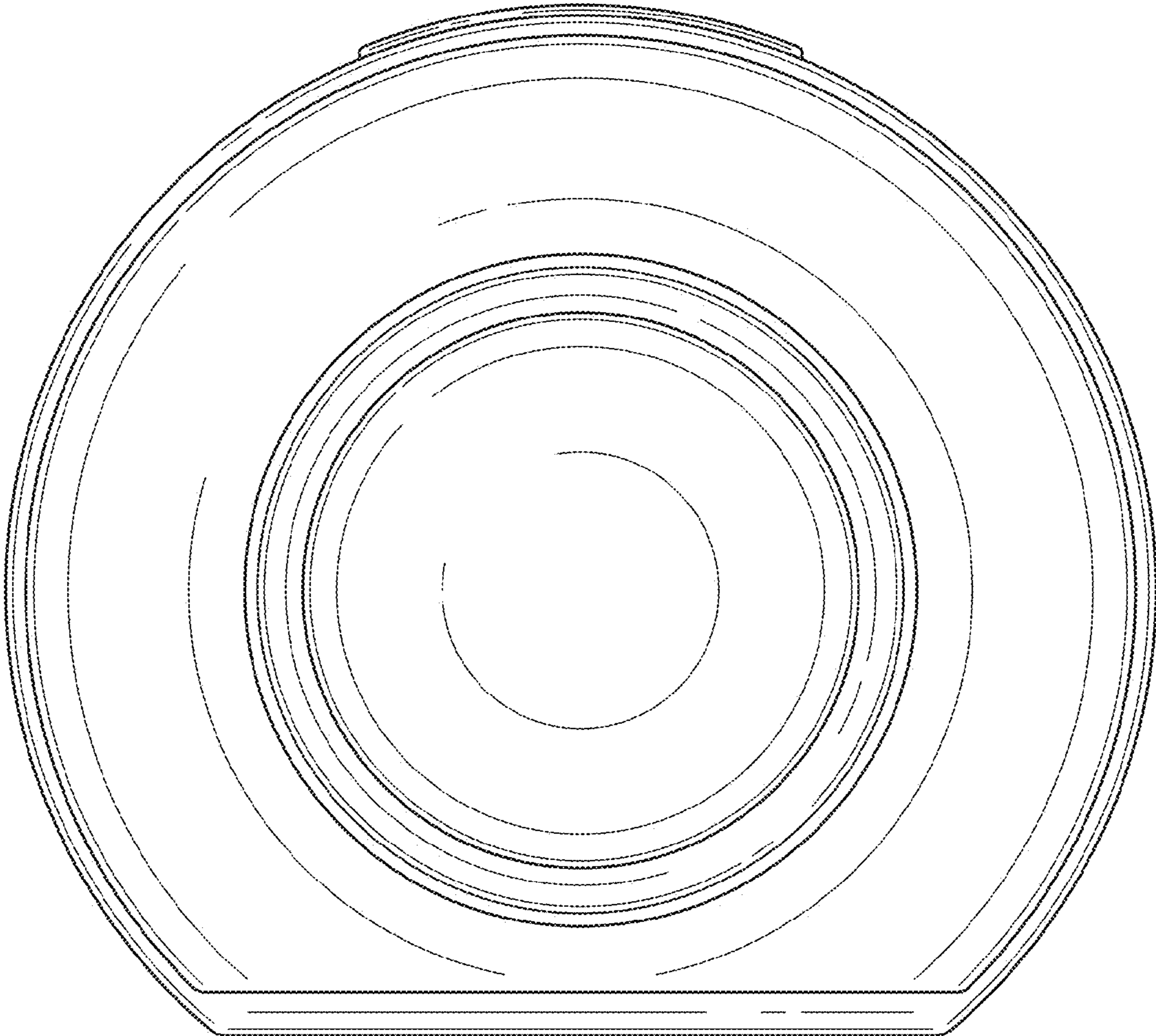


FIG. 3

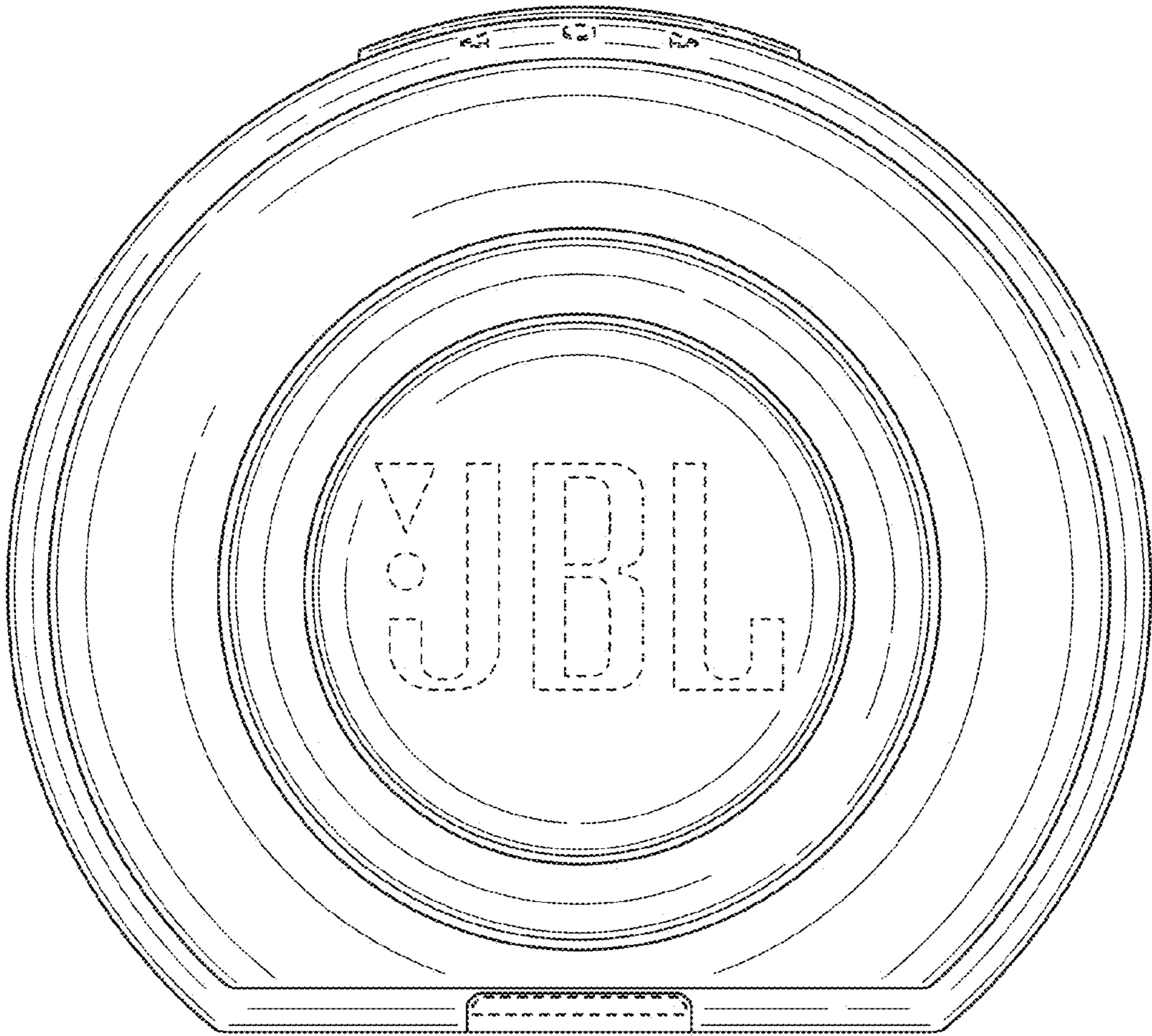


FIG. 4

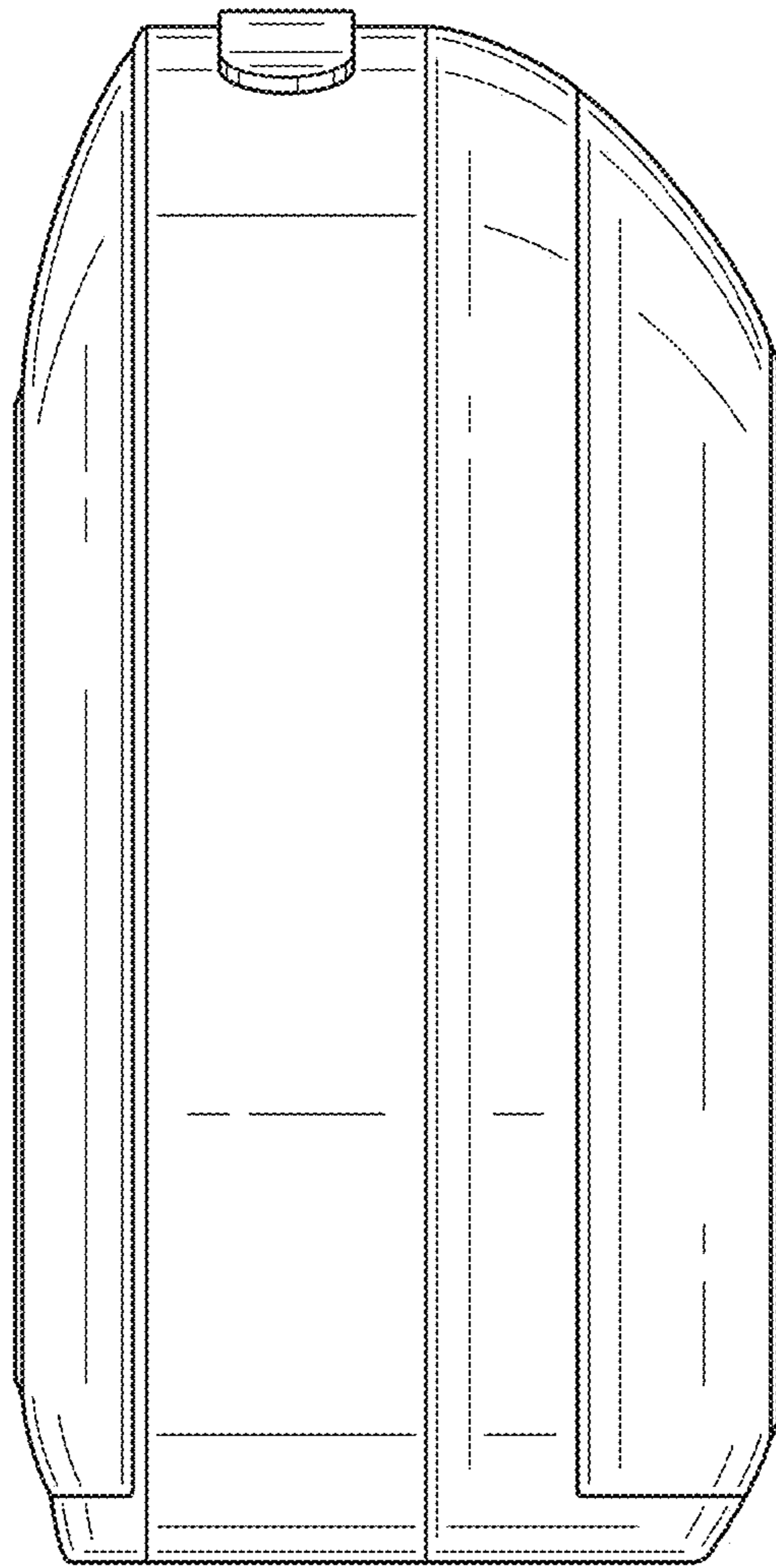


FIG. 5

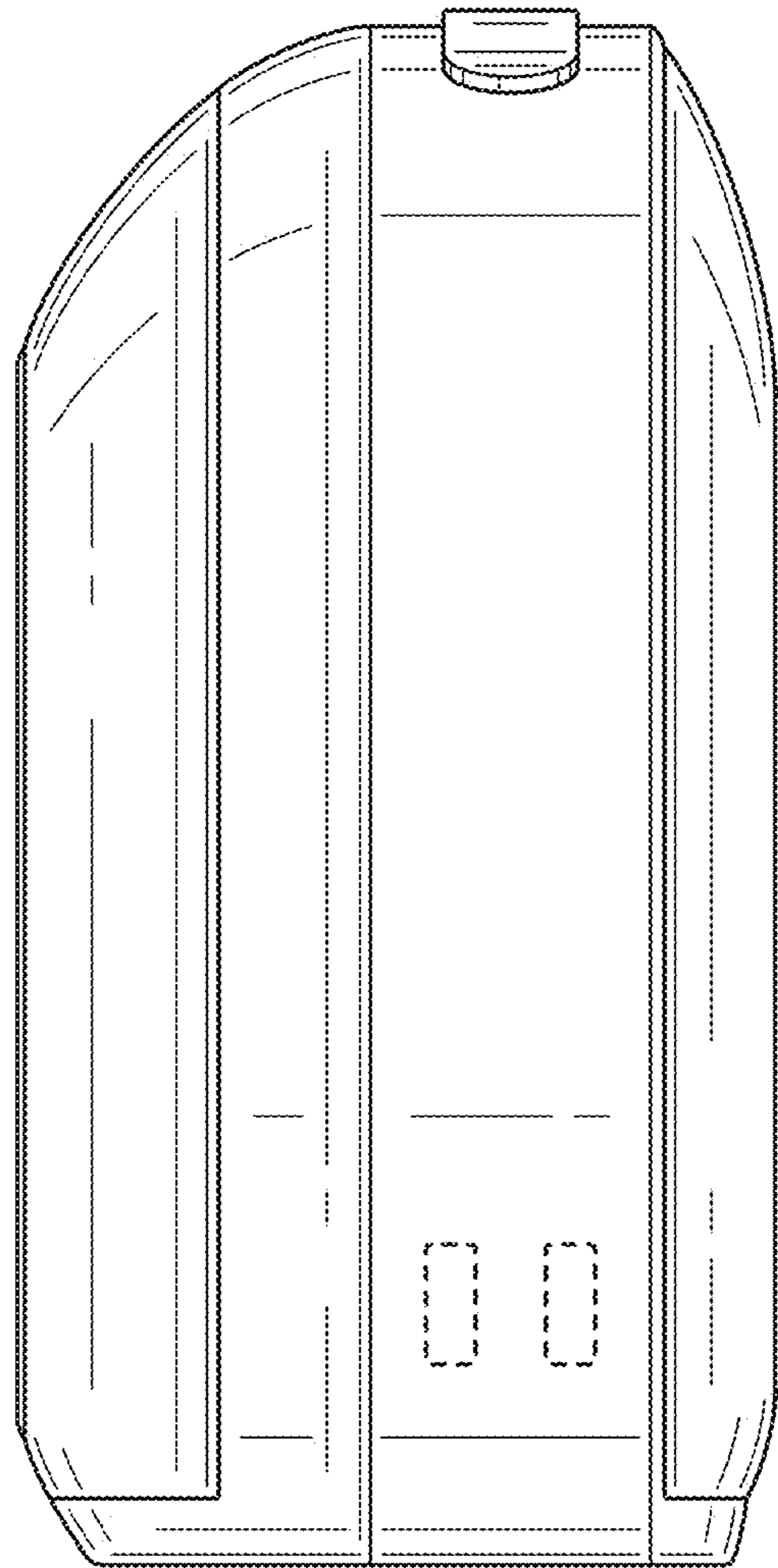


FIG. 6

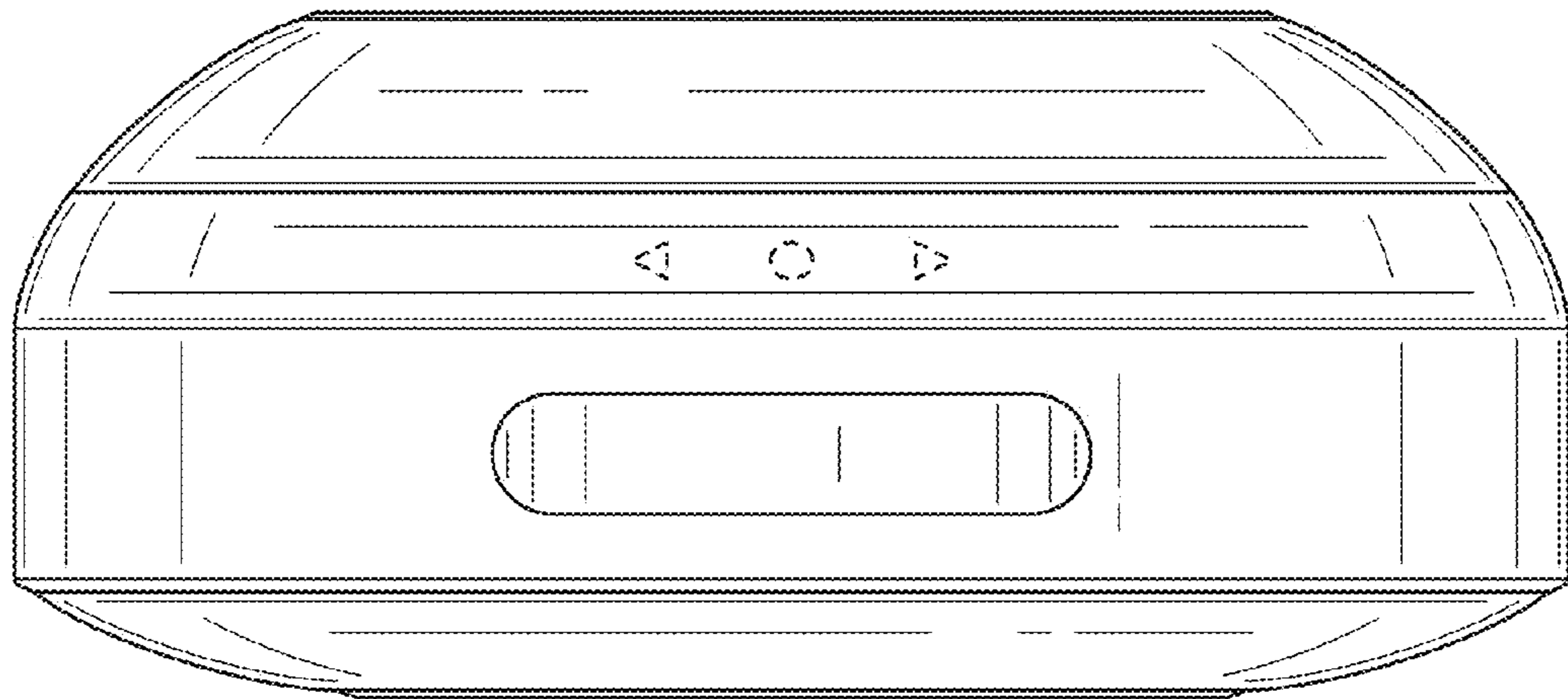


FIG. 7

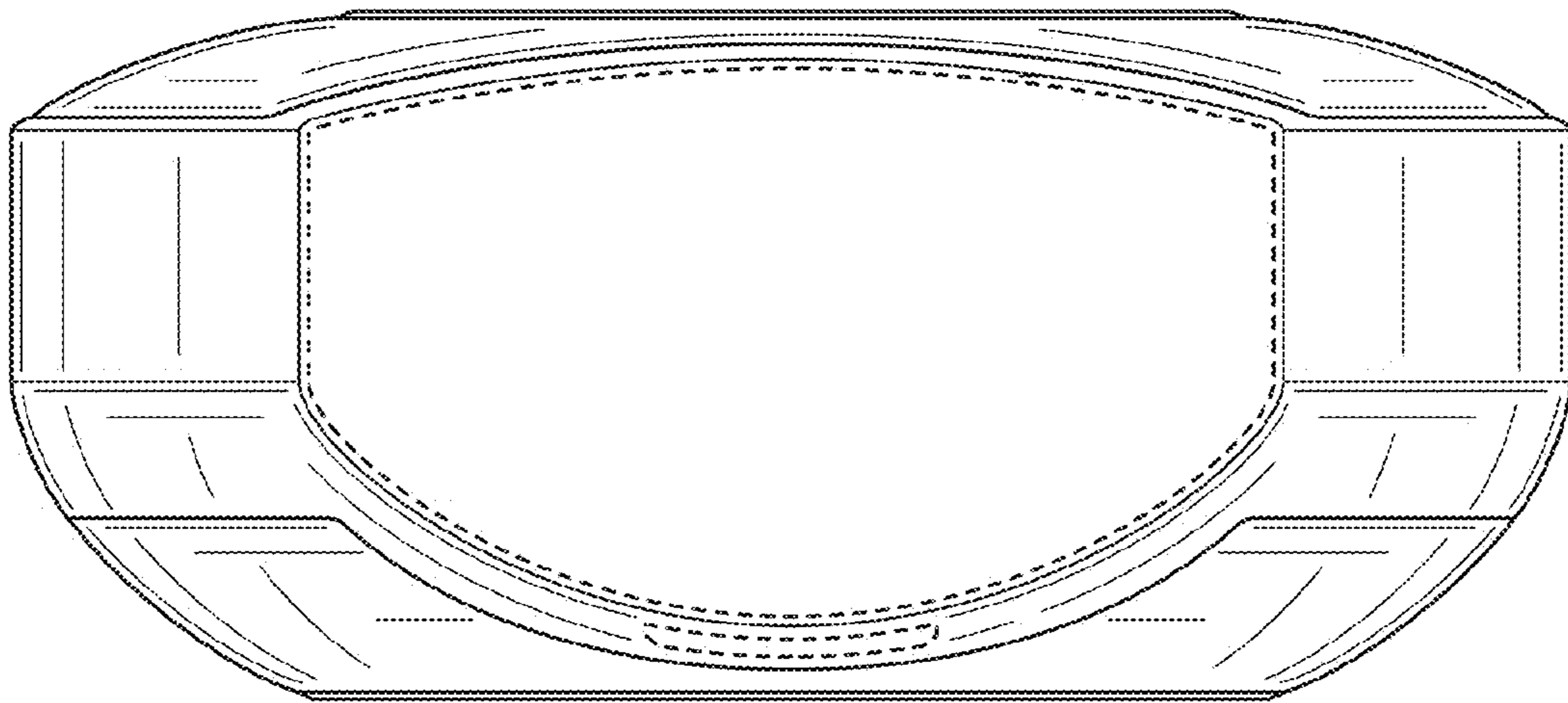


FIG. 8