



US00D752023S

(12) **United States Design Patent**  
**Lee**

(10) **Patent No.:** **US D752,023 S**  
(45) **Date of Patent:** **\*\* Mar. 22, 2016**

(54) **SPEAKER**

2400/07; H04R 2499/11; H04R 2499/13;  
H04R 2499/15; H04S 3/00; H04S 7/30

(71) Applicant: **GIBSON INNOVATIONS BELGIUM NV**, Leuven (BE)

See application file for complete search history.

(72) Inventor: **Wai Chung Lee**, Kowloon (CN)

(56) **References Cited**

(73) Assignee: **GIBSON INNOVATIONS BELGIUM NV**, Leuven (BE)

U.S. PATENT DOCUMENTS

(\*\*) Term: **14 Years**

(21) Appl. No.: **29/496,904**

(22) Filed: **Jul. 18, 2014**

(30) **Foreign Application Priority Data**

Jan. 20, 2014 (EM) ..... 002387449.0002

(51) **LOC (10) Cl.** ..... **14-03**

(52) **U.S. Cl.**  
USPC ..... **D14/216**

(58) **Field of Classification Search**  
USPC ..... D14/167, 168, 170–172, 188, 194–196,  
D14/204, 207, 209.1, 210–216, 219, 221,  
D14/222, 224, 496; 181/143, 144, 147, 148,  
181/150, 153, 157, 198, 199; 381/300–303,  
381/306, 332, 333, 336, 345, 361–364,  
381/386–388; 369/6–12; D27/122–124,  
D27/133–135  
CPC .... B60R 11/0217; G06F 1/1688; H04M 1/03;  
H04M 1/035; H04R 1/02; H04R 1/06; H04R  
1/021; H04R 1/025; H04R 1/026; H04R  
1/028; H04R 1/105; H04R 1/323; H04R  
1/403; H04R 1/2803; H04R 1/2834; H04R  
5/02; H04R 7/20; H04R 9/06; H04R 9/025;  
H04R 2201/021; H04R 2400/00; H04R

|              |        |                    |         |
|--------------|--------|--------------------|---------|
| D354,750 S * | 1/1995 | Lewis .....        | D14/216 |
| D494,572 S * | 8/2004 | Moeller .....      | D14/224 |
| D496,651 S * | 9/2004 | Borsboom .....     | D14/216 |
| D534,898 S * | 1/2007 | Rashid .....       | D14/216 |
| D537,073 S * | 2/2007 | Peersman .....     | D14/216 |
| D562,307 S * | 2/2008 | Warden .....       | D14/211 |
| D570,618 S * | 6/2008 | Tai .....          | D14/229 |
| D585,595 S * | 1/2009 | Catron et al. .... | D27/124 |
| D596,157 S * | 7/2009 | Warden et al. .... | D14/211 |
| D659,675 S * | 5/2012 | Kim et al. ....    | D14/211 |
| D662,075 S * | 6/2012 | Gebski .....       | D14/159 |
| D723,514 S * | 3/2015 | Lukic et al. ....  | D14/213 |

\* cited by examiner

*Primary Examiner* — Keli L Hill

(74) *Attorney, Agent, or Firm* — Bates & Bates, LLC

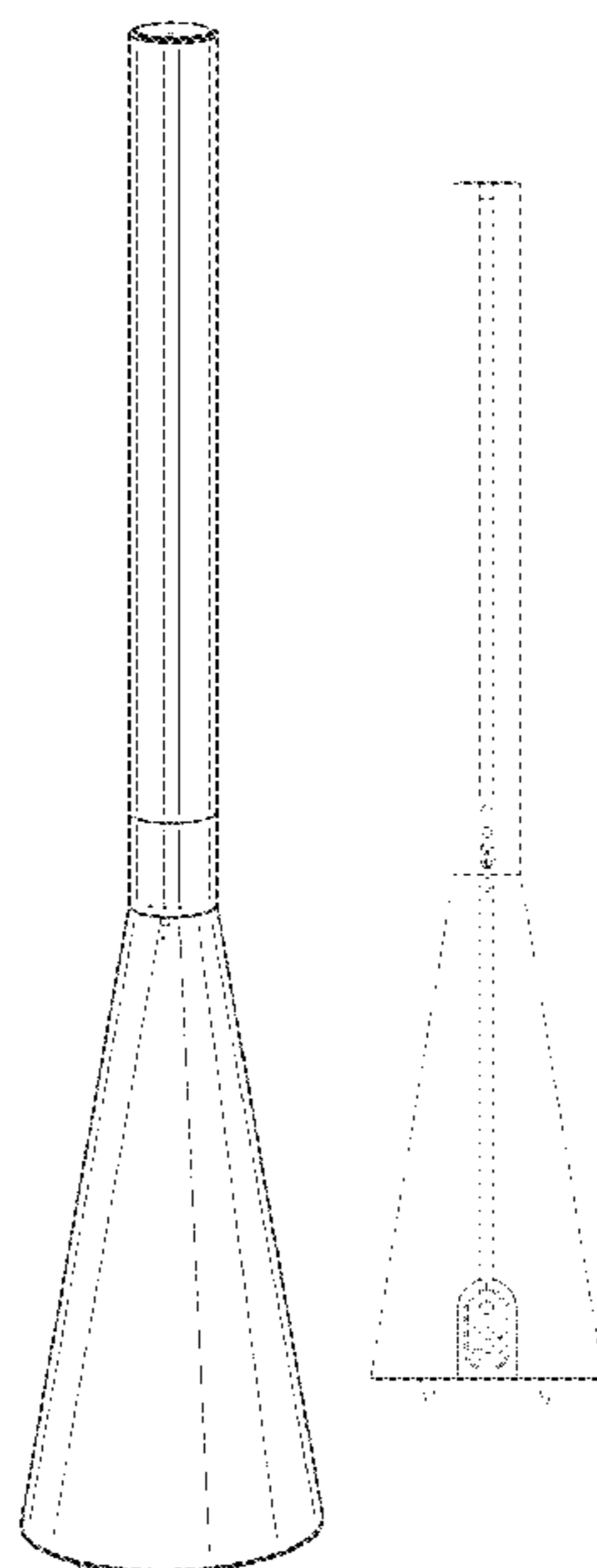
(57) **CLAIM**

The ornamental design for speaker, as shown and described.

**DESCRIPTION**

FIG. 1 is a perspective view of a speaker, embodying my new design;  
FIG. 2 is a top elevational view of the speaker of FIG. 1;  
FIG. 3 is a left elevational view of the speaker of FIG. 1;  
FIG. 4 is a front elevational view of the speaker of FIG. 1;  
FIG. 5 is a right elevational view of the speaker of FIG. 1;  
FIG. 6 is a back elevational view of the speaker of FIG. 1; and,  
FIG. 7 is a bottom elevational view of the speaker of FIG. 1.  
The broken lines in the Figures represent the portions of the design that form no part of the claim.

**1 Claim, 7 Drawing Sheets**



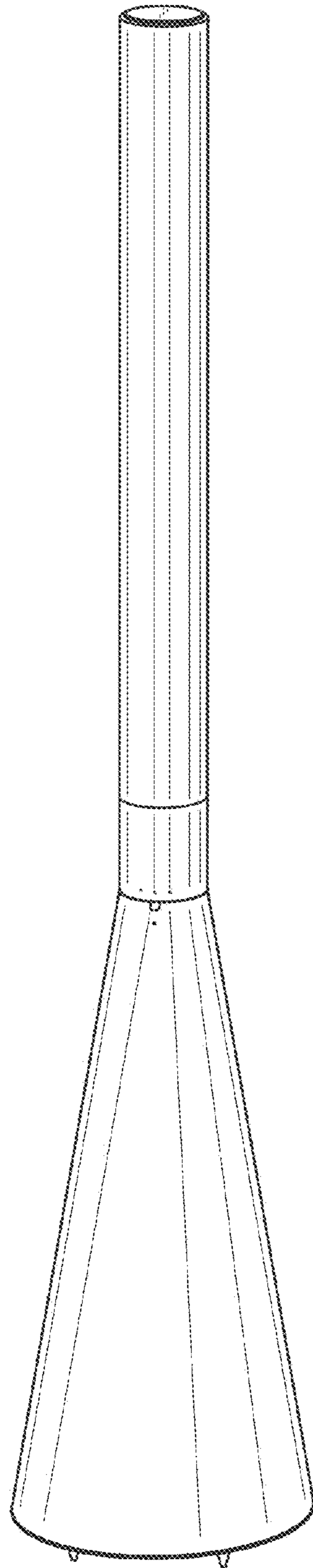


FIG. 1

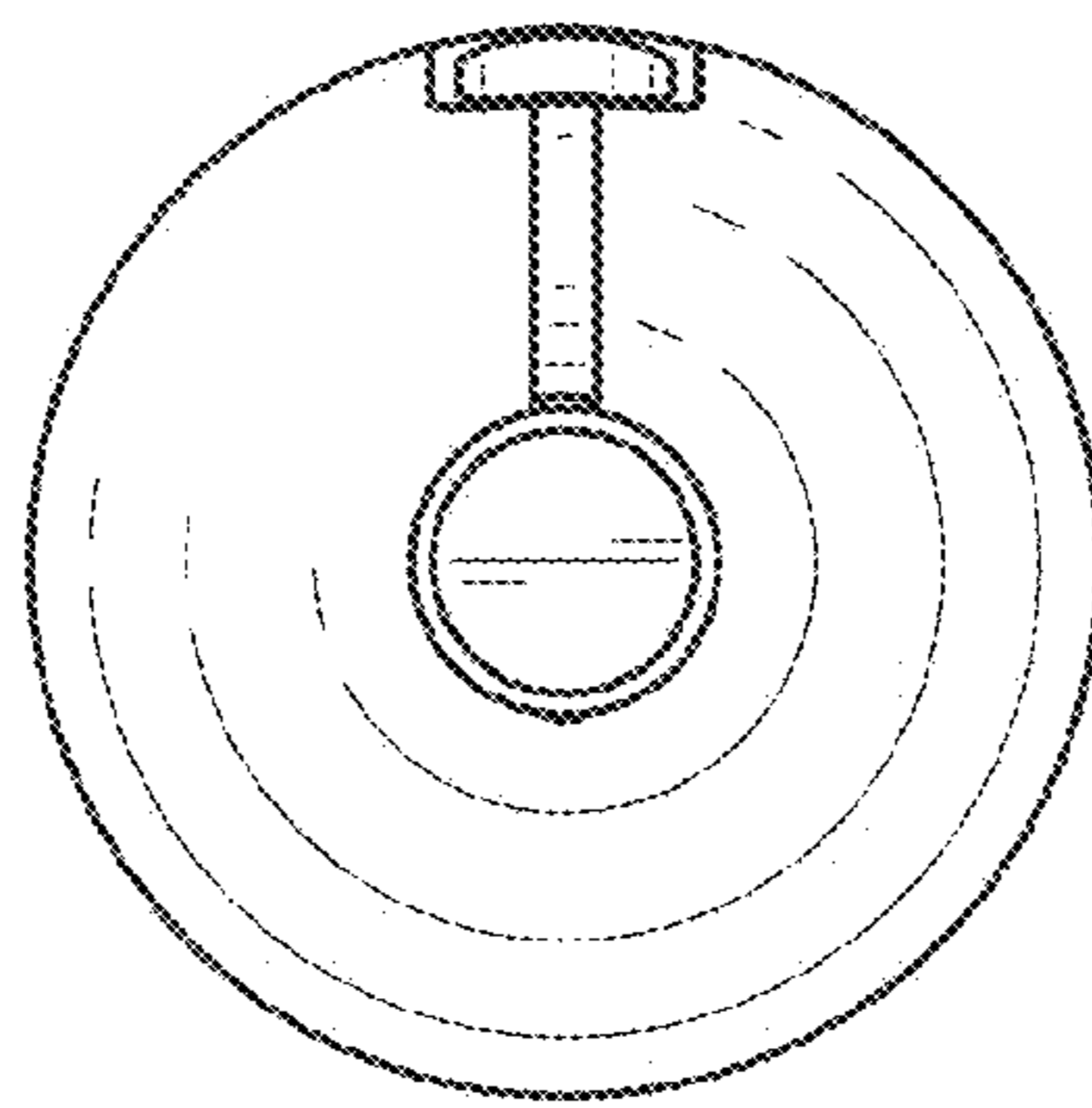


FIG. 2

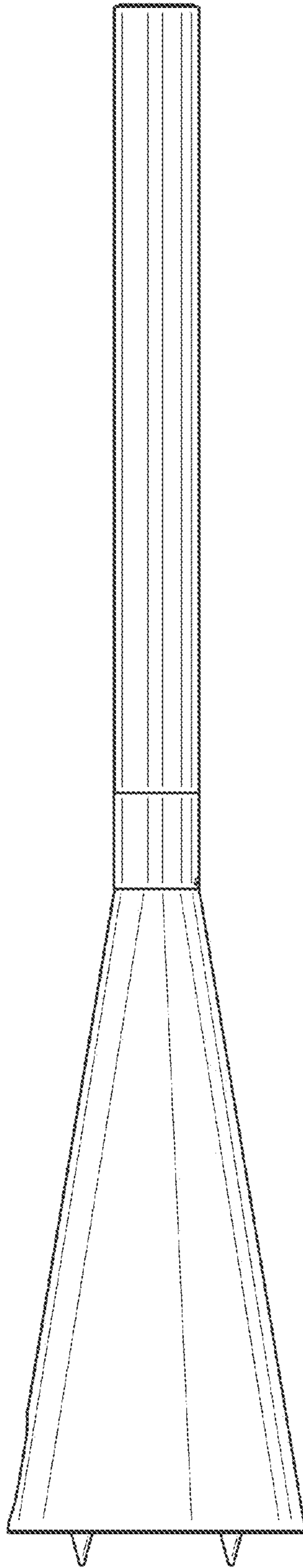


FIG. 3

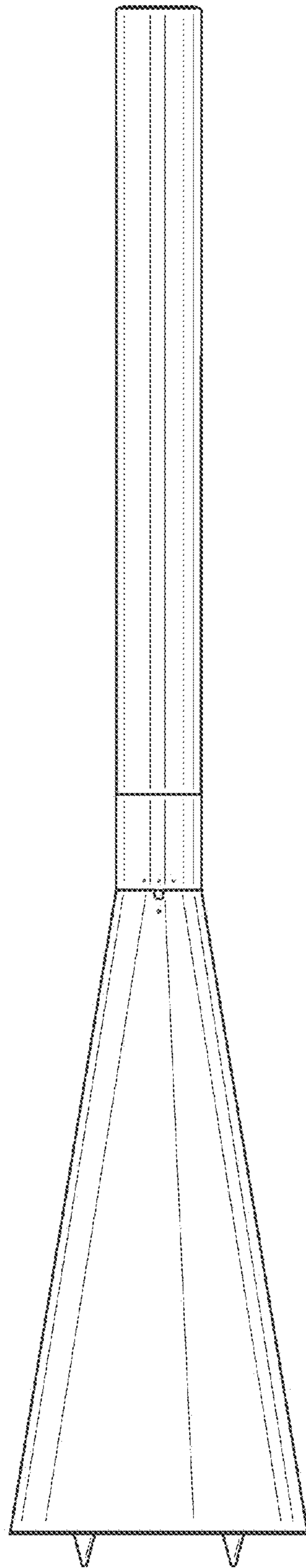


FIG. 4

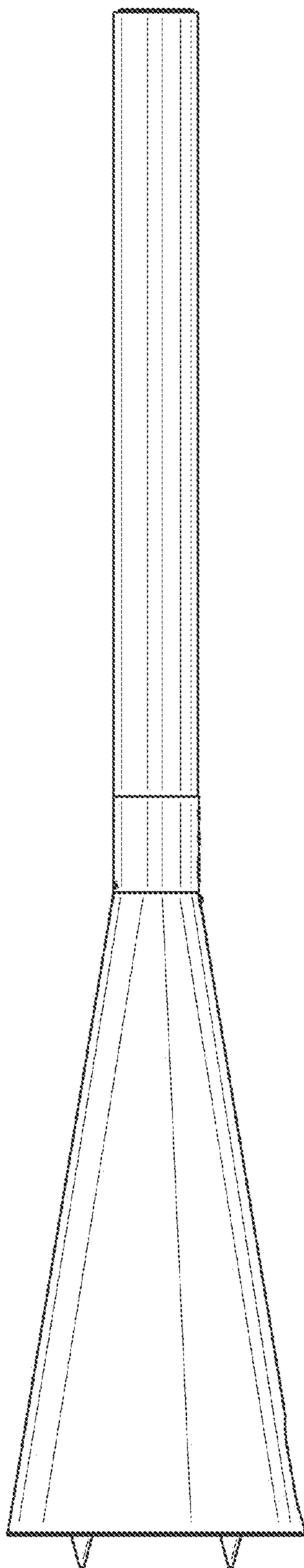


FIG. 5

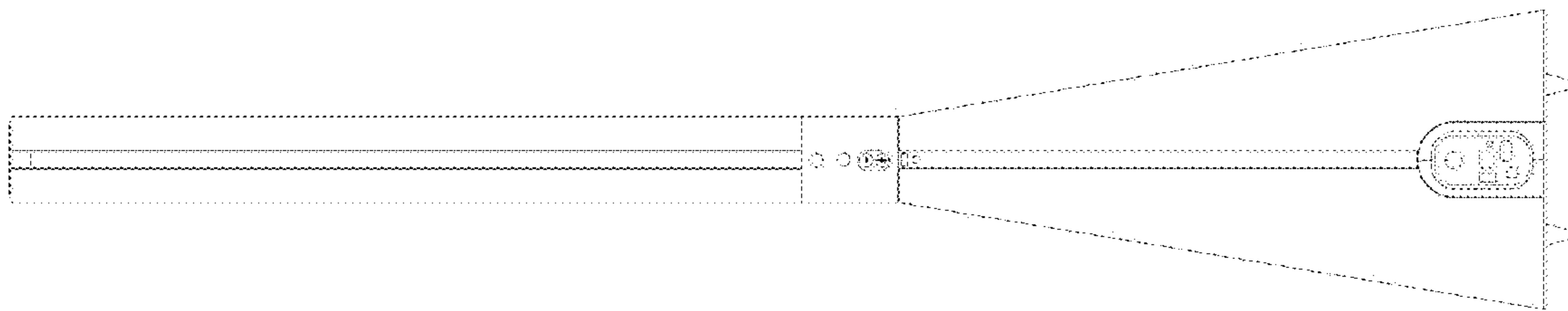


FIG. 6

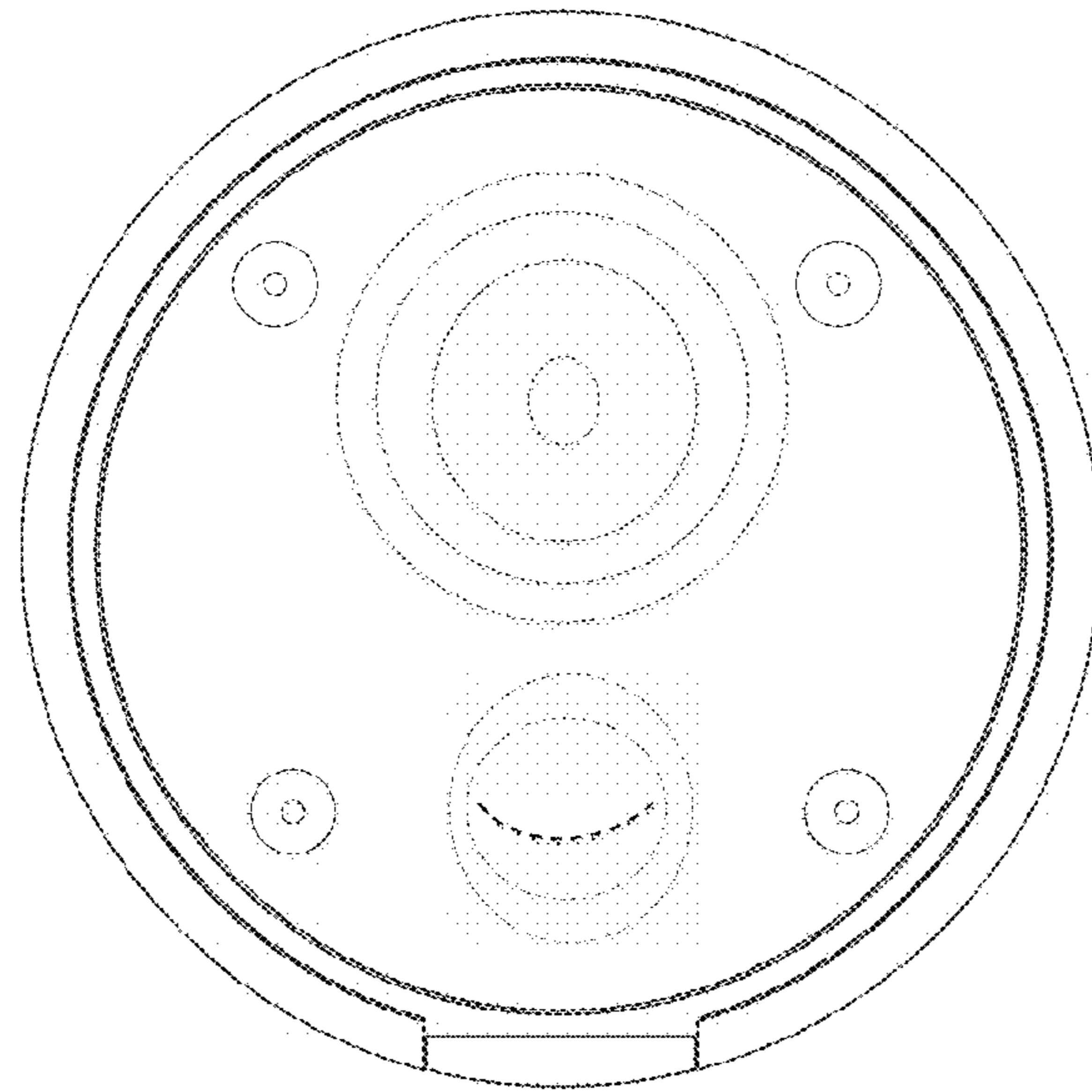


FIG. 7