



US00D752022S

(12) **United States Design Patent**
Nardin et al.

(10) **Patent No.:** **US D752,022 S**
(45) **Date of Patent:** **** Mar. 22, 2016**

(54) **LOUDSPEAKER AND STAND**

(56) **References Cited**

(71) Applicant: **DEVIALET**, Paris (FR)

U.S. PATENT DOCUMENTS

(72) Inventors: **Emmanuel Nardin**, Vanves (FR);
Fabien Deboves, Rueil Malmaison (FR);
François Mestre, Lille (FR); **Sylvain**
Gerber, Cachan (FR); **Grégory Cibert**,
Paris (FR); **Nicolas Régentête**, Paris
(FR)

3,052,758	A *	9/1962	Berry	381/120
4,042,778	A *	8/1977	Clinton	381/182
4,553,628	A *	11/1985	Nakamura	181/145
4,940,108	A *	7/1990	Selby	181/145
5,802,190	A *	9/1998	Ferren	381/182
7,319,767	B2 *	1/2008	Fidlin et al.	381/182
D610,570	S *	2/2010	Upham et al.	D14/209.1
D642,157	S *	7/2011	Holzer	D14/209.1
D656,482	S *	3/2012	Colquhoun	D14/209.1
D689,039	S *	9/2013	Liu	D14/209.8
D705,752	S *	5/2014	Son	D14/209.1
D714,758	S *	10/2014	Lee et al.	D14/209.1
D716,764	S *	11/2014	Jeon et al.	D14/209.1

(73) Assignee: **DEVIALET**, Paris (FR)

(**) Term: **14 Years**

(21) Appl. No.: **29/489,038**

* cited by examiner

(22) Filed: **Apr. 25, 2014**

Primary Examiner — Prabhakar Deshmukh

(30) **Foreign Application Priority Data**

(74) *Attorney, Agent, or Firm* — Stephen J. Weyer, Esq.;
Stites & Harbison, PLLC

Oct. 25, 2013	(EM)	002333716-0001
Oct. 25, 2013	(EM)	002333716-0002
Oct. 25, 2013	(EM)	002333716-0003
Oct. 25, 2013	(EM)	002333716-0004
Oct. 25, 2013	(EM)	002333716-0005
Oct. 25, 2013	(EM)	002333716-0006

(57) **CLAIM**

The ornamental design for a loudspeaker and stand, as shown and described.

(51) **LOC (10) Cl.** **14-01**

DESCRIPTION

(52) **U.S. Cl.**

USPC **D14/209.1**

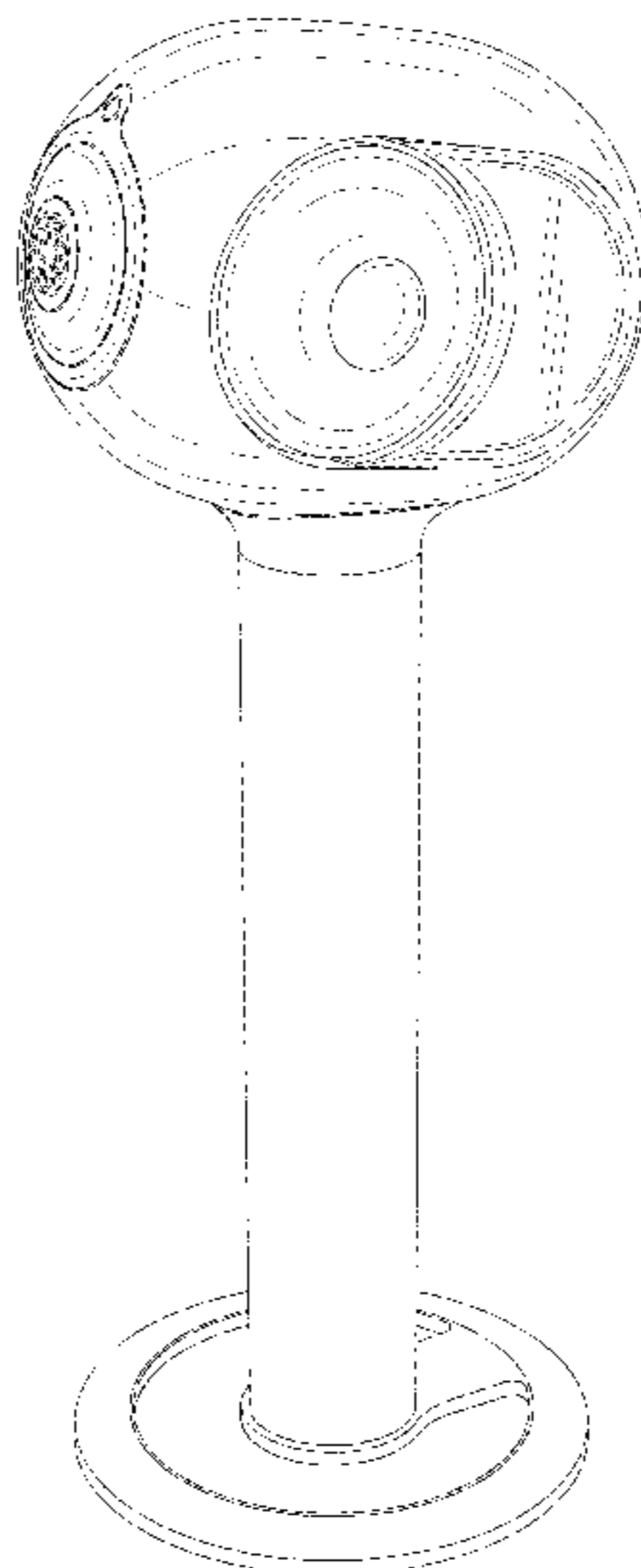
This relates to the subject matter in co-filed U.S. Design patent applications Ser. Nos. 29/489,024 and 29/489,041, filed on Apr. 25, 2014, both herein incorporated by reference. FIG. 1 is a top, front and right side perspective view of a loudspeaker and stand showing our new design; FIG. 2 is a front elevational view thereof; FIG. 3 is a rear elevational view thereof; FIG. 4 is a left side elevational view thereof, the right side elevational view being a mirror image thereof; FIG. 5 is a top plan view thereof; and, FIG. 6 is a bottom plan view thereof. The broken lines indicate unclaimed portions and form no part of the claimed design.

(58) **Field of Classification Search**

USPC D14/204, 209.1, 211, 217, 221, 224,
D14/224.1, 225, 227, 228; 181/143, 147,
181/148, 150, 153, 157, 198, 199, 166,
181/144; 381/300–303, 306, 332, 333, 336,
381/345, 361–364, 370, 386–388
CPC H04R 9/06; H04R 1/24; H04R 11/02;
H04R 2400/00

See application file for complete search history.

1 Claim, 6 Drawing Sheets



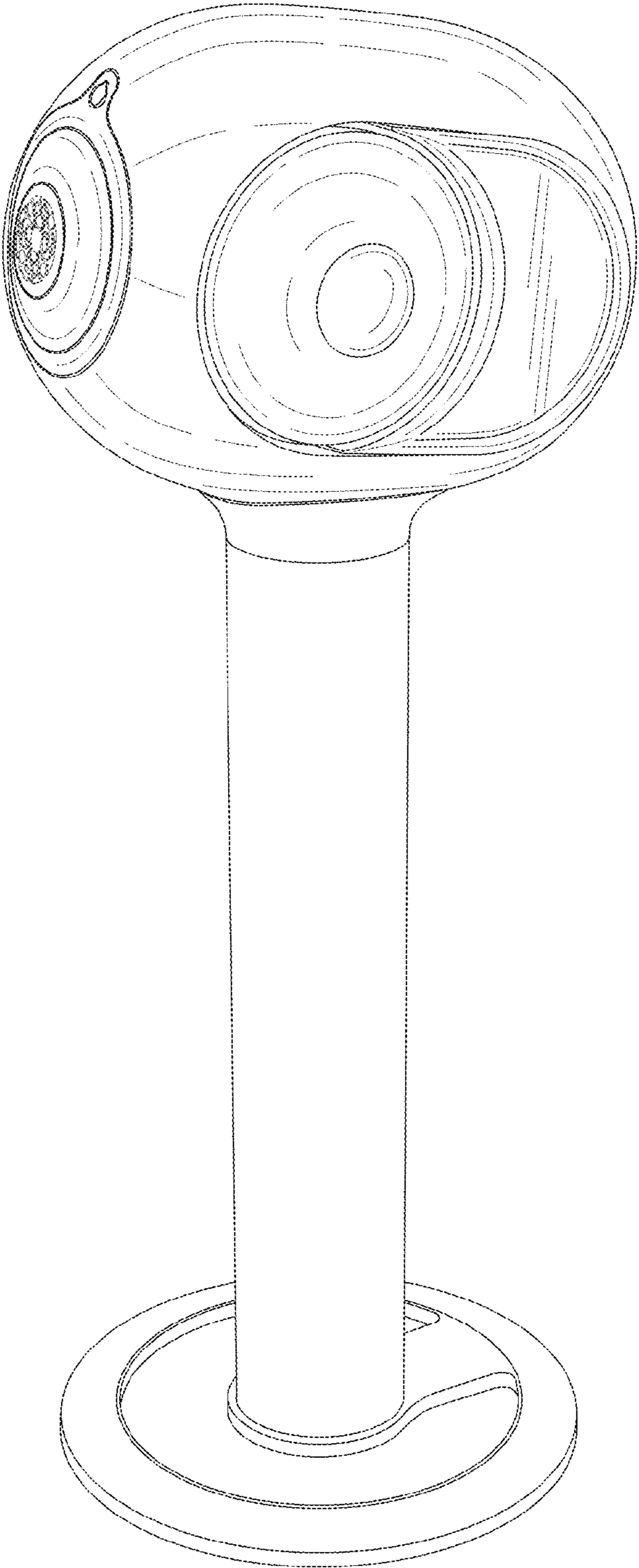


Fig. 1

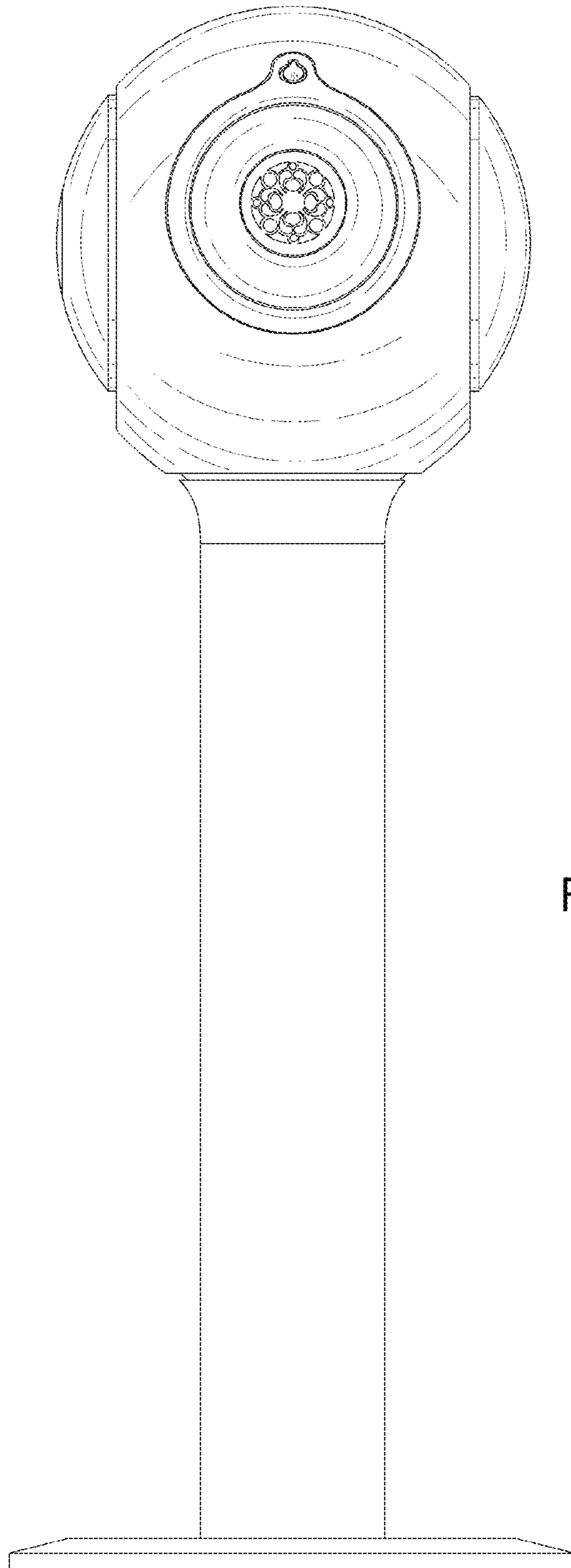


Fig. 2

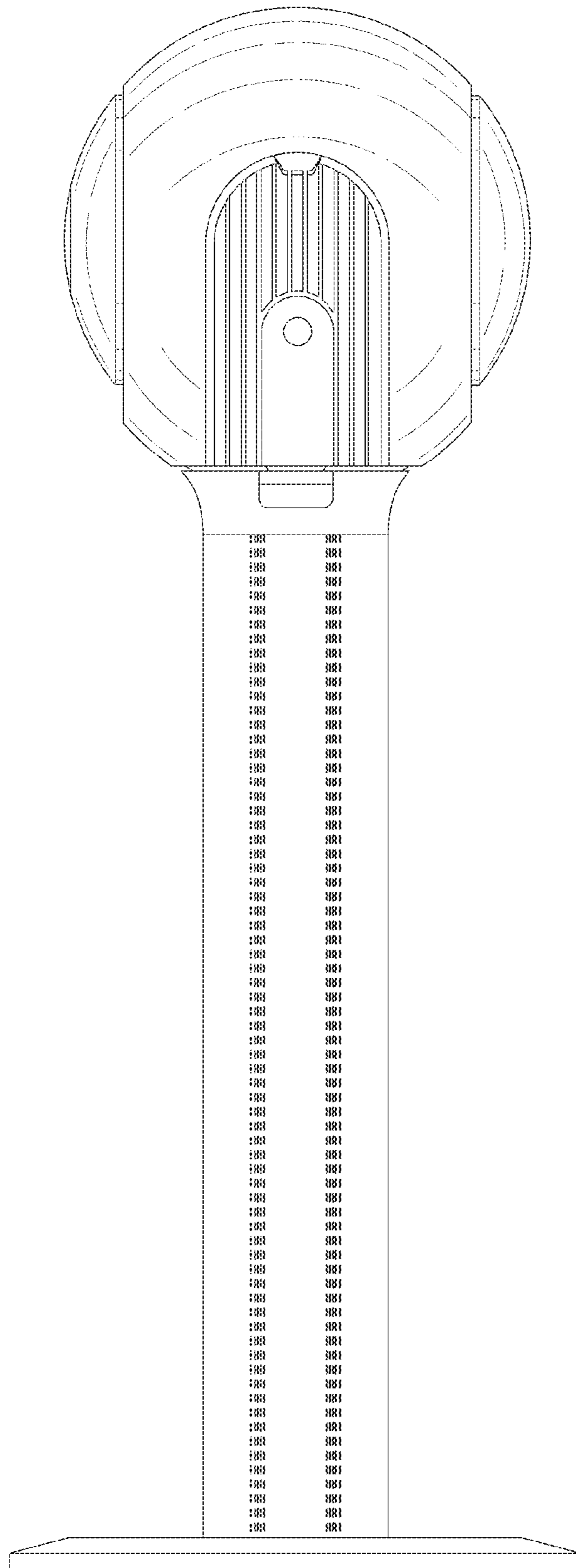


Fig. 3

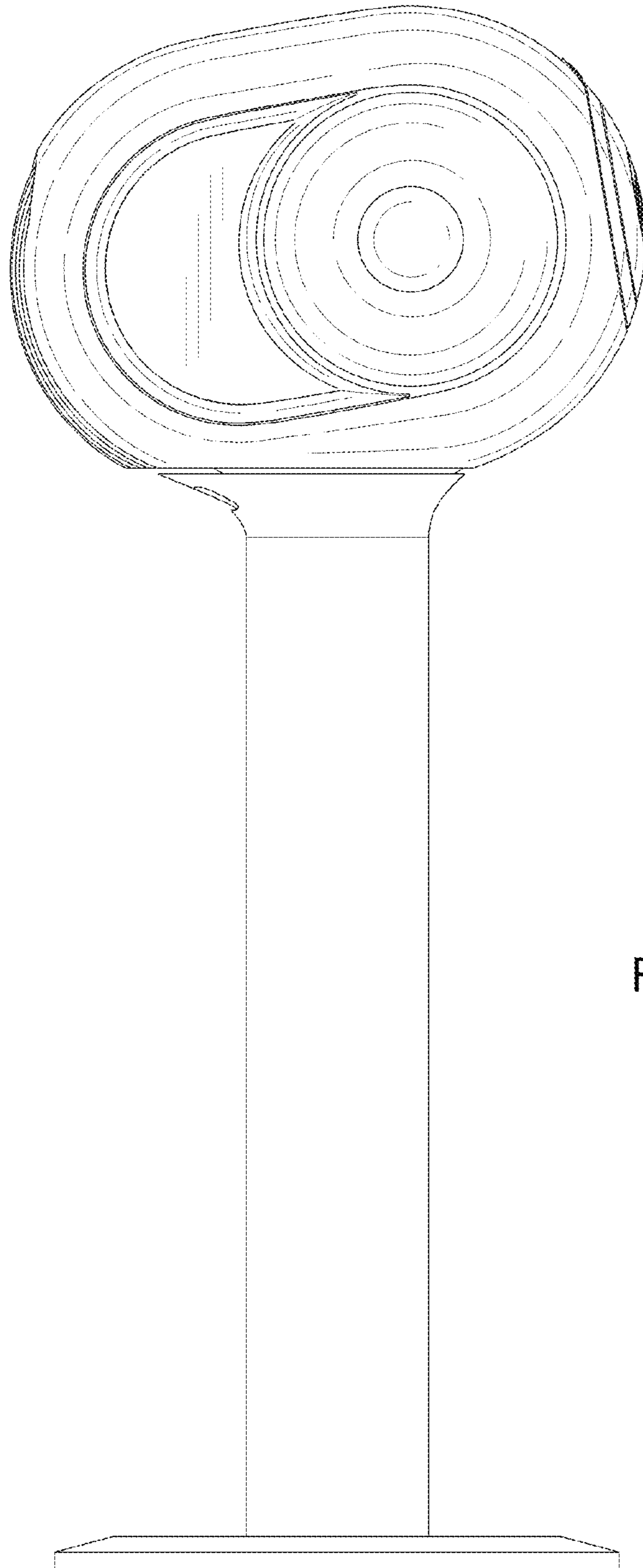


Fig. 4

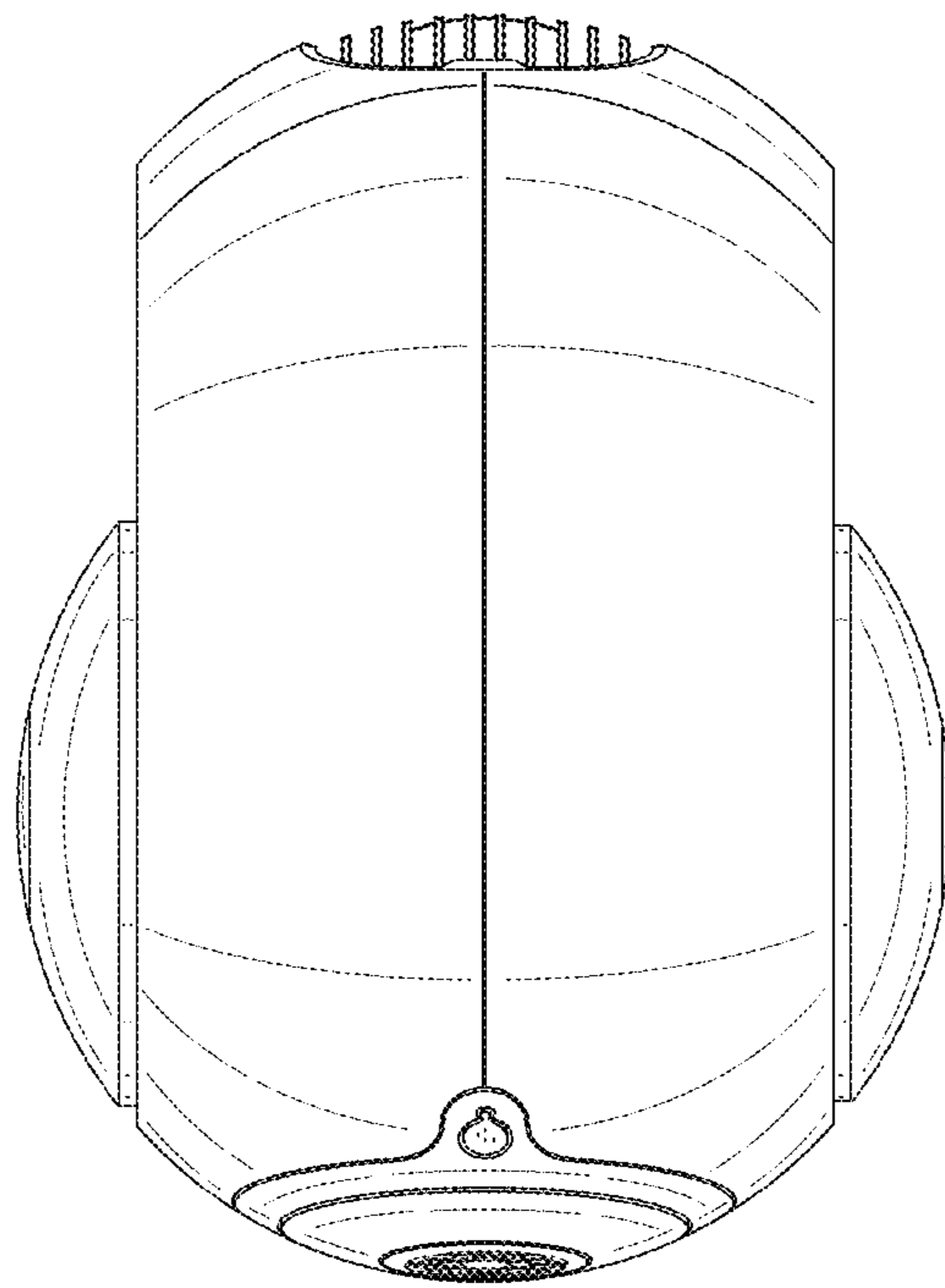


FIG. 5

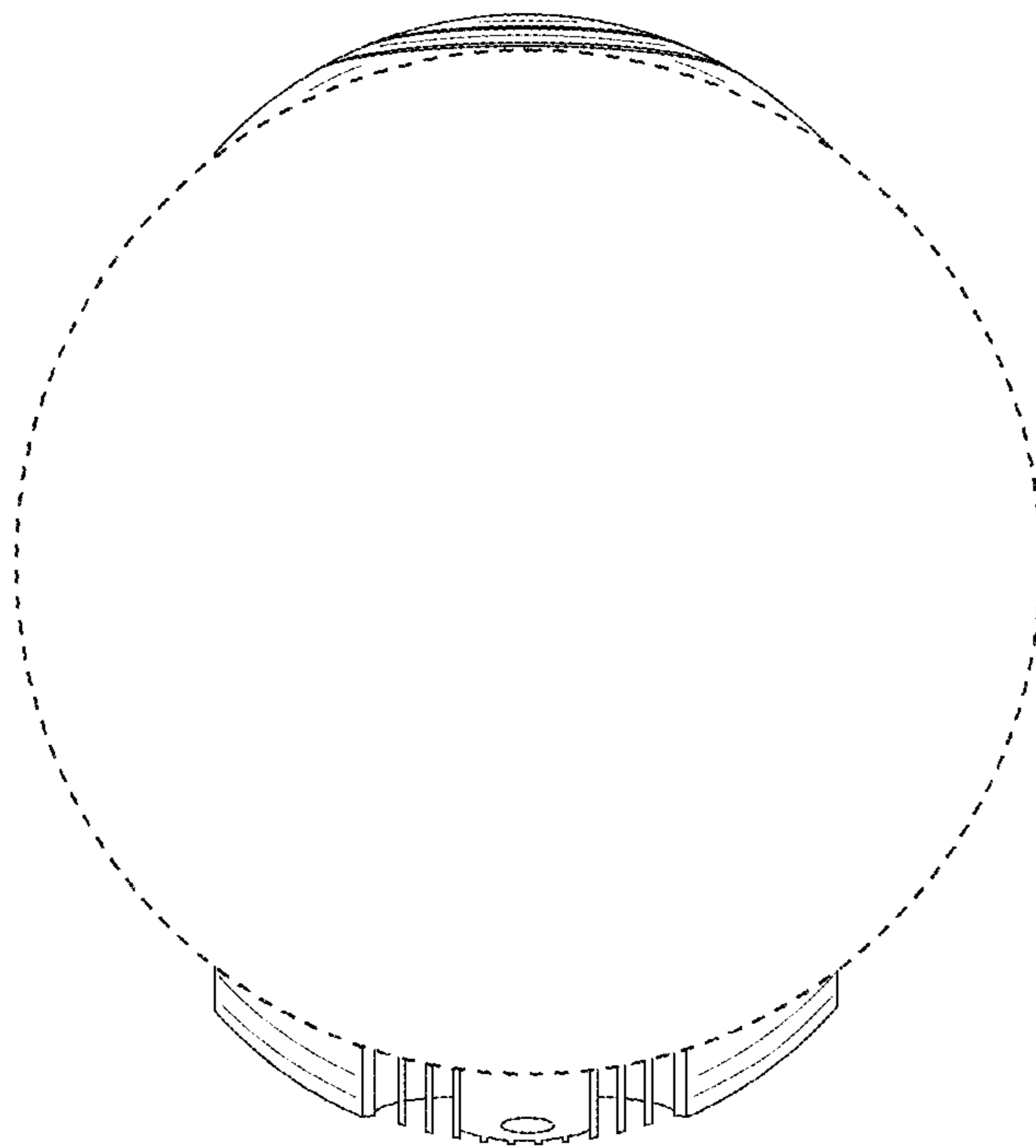


FIG. 6