



US00D752021S

(12) **United States Design Patent**  
**Nardin et al.**

(10) **Patent No.:** **US D752,021 S**  
(45) **Date of Patent:** **\*\* Mar. 22, 2016**

(54) **LOUDSPEAKER**

(71) Applicant: **DEVIALET**, Paris (FR)  
(72) Inventors: **Emmanuel Nardin**, Vanves (FR);  
**Fabien Deboves**, Rueil Malmaison (FR);  
**François Mestre**, Lille (FR); **Sylvain Gerber**, Cachan (FR); **Grégory Cibert**, Paris (FR); **Nicolas Régentête**, Paris (FR)

(73) Assignee: **DEVIALET**, Paris (FR)

(\*\*) Term: **14 Years**

(21) Appl. No.: **29/489,024**

(22) Filed: **Apr. 25, 2014**

(30) **Foreign Application Priority Data**

Oct. 25, 2013 (EM) ..... 002333716-0001  
Oct. 25, 2013 (EM) ..... 002333716-0002  
Oct. 25, 2013 (EM) ..... 002333716-0003  
Oct. 25, 2013 (EM) ..... 002333716-0004  
Oct. 25, 2013 (EM) ..... 002333716-0005  
Oct. 25, 2013 (EM) ..... 002333716-0006

(51) **LOC (10) Cl.** ..... **14-01**

(52) **U.S. Cl.**  
USPC ..... **D14/209.1; D14/204**

(58) **Field of Classification Search**  
USPC ..... D14/204, 209.1, 211, 217, 221, 224,  
D14/224.1, 225, 227, 228; 181/143, 147,  
181/148, 150, 153, 157, 198, 199, 166,  
181/144; 381/300–303, 306, 332, 333, 336,  
381/345, 361–364, 370, 386–388  
CPC ..... H04R 9/06; H04R 1/24; H04R 11/02;  
H04R 2400/00

See application file for complete search history.

(56) **References Cited**

U.S. PATENT DOCUMENTS

3,052,758 A \* 9/1962 Berry ..... 381/120  
4,042,778 A \* 8/1977 Clinton ..... 381/182  
4,553,628 A \* 11/1985 Nakamura ..... 181/145  
4,940,108 A \* 7/1990 Selby ..... 181/145  
5,802,190 A \* 9/1998 Ferren ..... 381/182  
7,319,767 B2 \* 1/2008 Fidlin et al. .... 381/182  
D610,570 S \* 2/2010 Upham et al. .... D14/209.1  
D642,157 S \* 7/2011 Holzer ..... D14/209.1

(Continued)

*Primary Examiner* — Prabhakar Deshmukh

(74) *Attorney, Agent, or Firm* — Stephen J. Weyer, Esq.;  
Stites & Harbison, PLLC

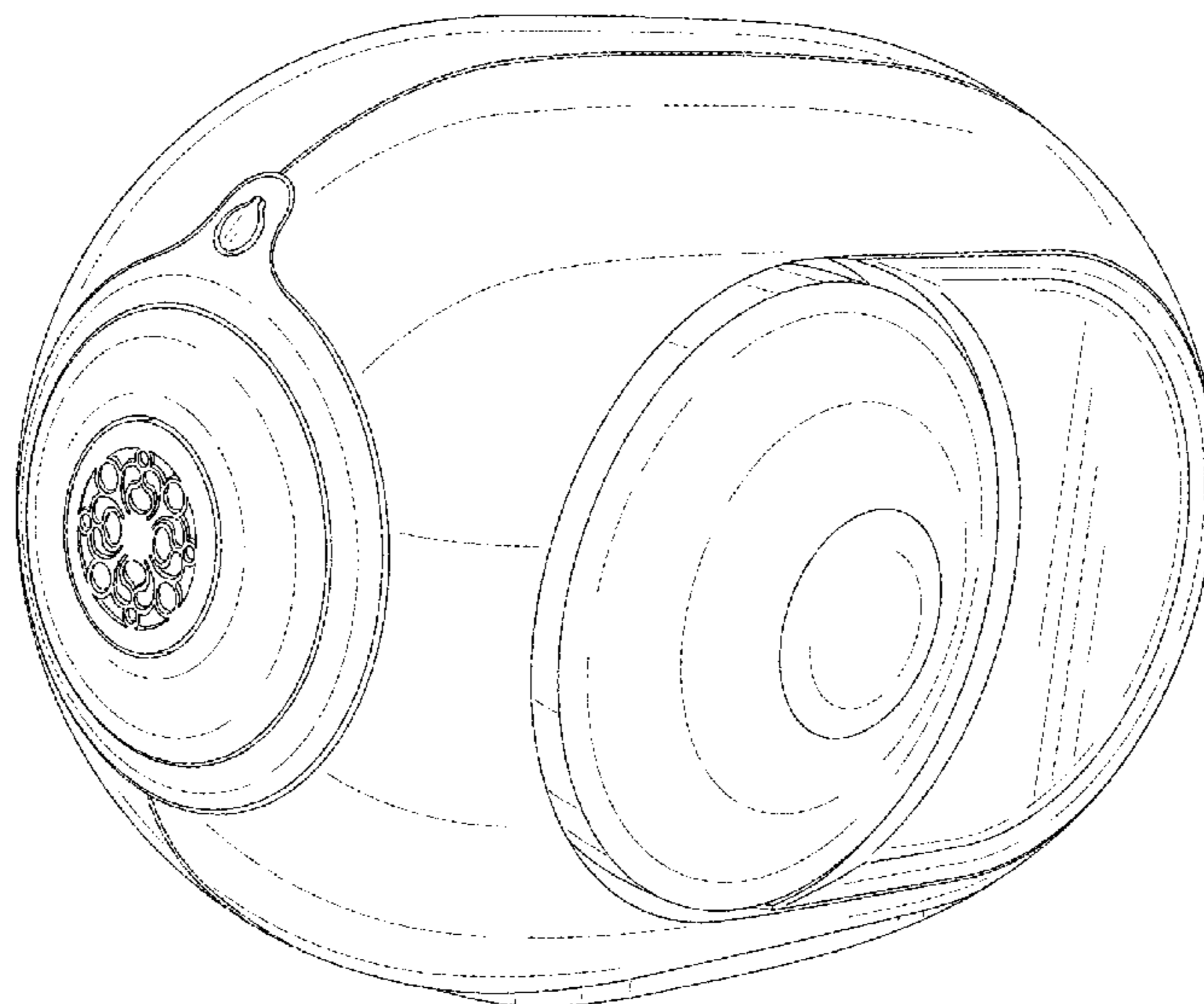
(57) **CLAIM**

The ornamental design for a loudspeaker, as shown and described.

**DESCRIPTION**

This relates to the subject matter in co-filed U.S. Design patent applications Ser. Nos. 29/489,041 and 29/489,038, filed on Apr. 25, 2014, both herein incorporated by reference. FIG. 1 is a perspective view taken from the top, front, and right side of the loudspeaker of the present invention. FIG. 2 is a rear elevation view of the loudspeaker of FIG. 1. FIG. 3 is a front elevation view of the loudspeaker of FIG. 1. FIG. 4 is a right side elevation view of the loudspeaker of FIG. 1, the opposite side being nearly a mirror image thereof. FIG. 5 is a top plan view of the loudspeaker of FIG. 1. FIG. 6 is a bottom plan view of the loudspeaker of FIG. 1; and, FIG. 7 is an alternative configuration of the loudspeaker of FIG. 1, with a right side diaphragm in its inward position, the opposite side being nearly a mirror image thereof. The broken lines in FIG. 6 indicate unclaimed portions and form no part of the claimed design.

**1 Claim, 7 Drawing Sheets**



# US D752,021 S

Page 2

---

(56)

## References Cited

### U.S. PATENT DOCUMENTS

D656,482 S \* 3/2012 Colquhoun ..... D14/209.1  
D689,039 S \* 9/2013 Liu ..... D14/203.8

D705,752 S \* 5/2014 Son ..... D14/209.1  
D714,758 S \* 10/2014 Lee et al. .... D14/209.1  
D716,764 S \* 11/2014 Jeon et al. .... D14/209.1

\* cited by examiner

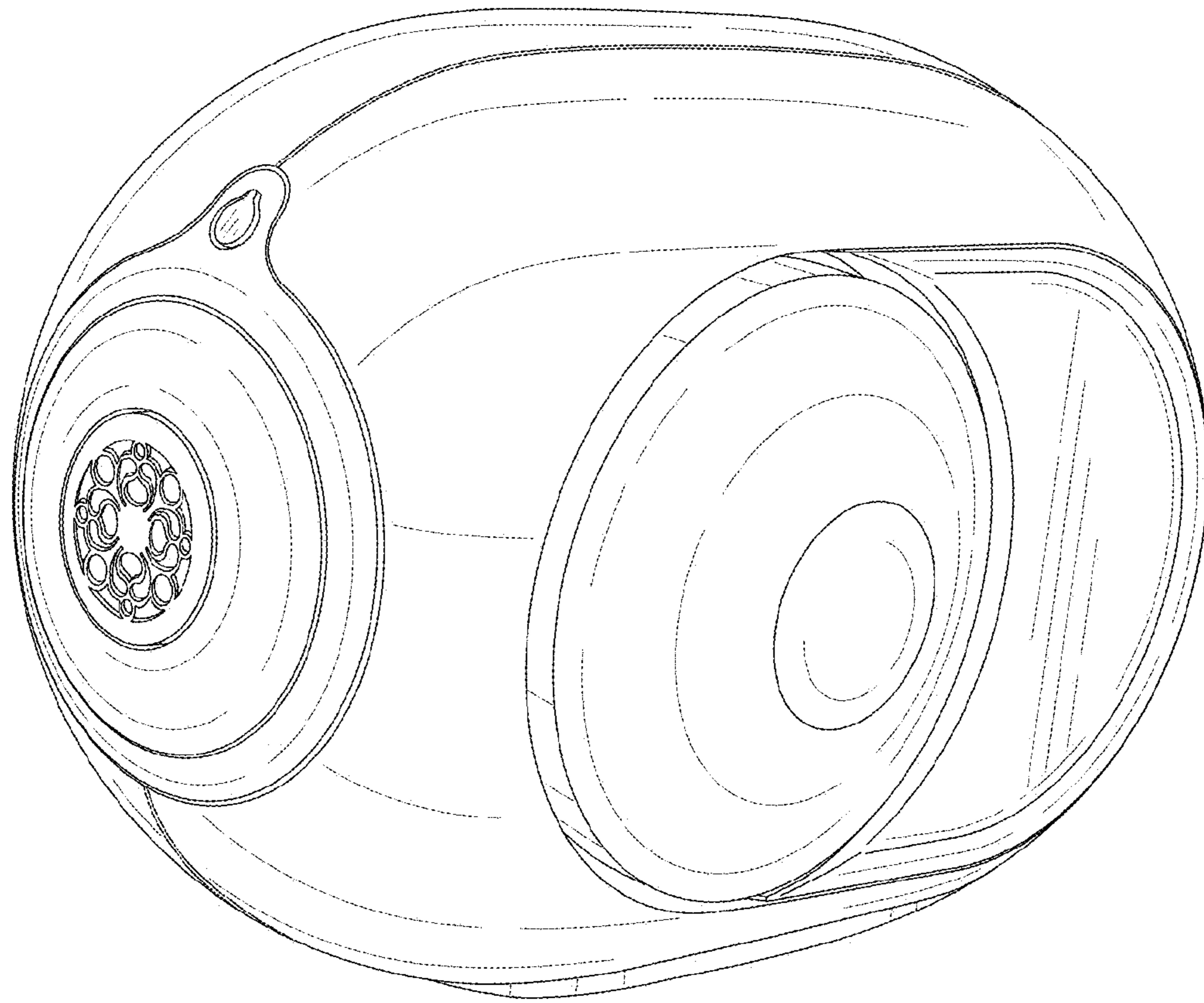


Fig. 1

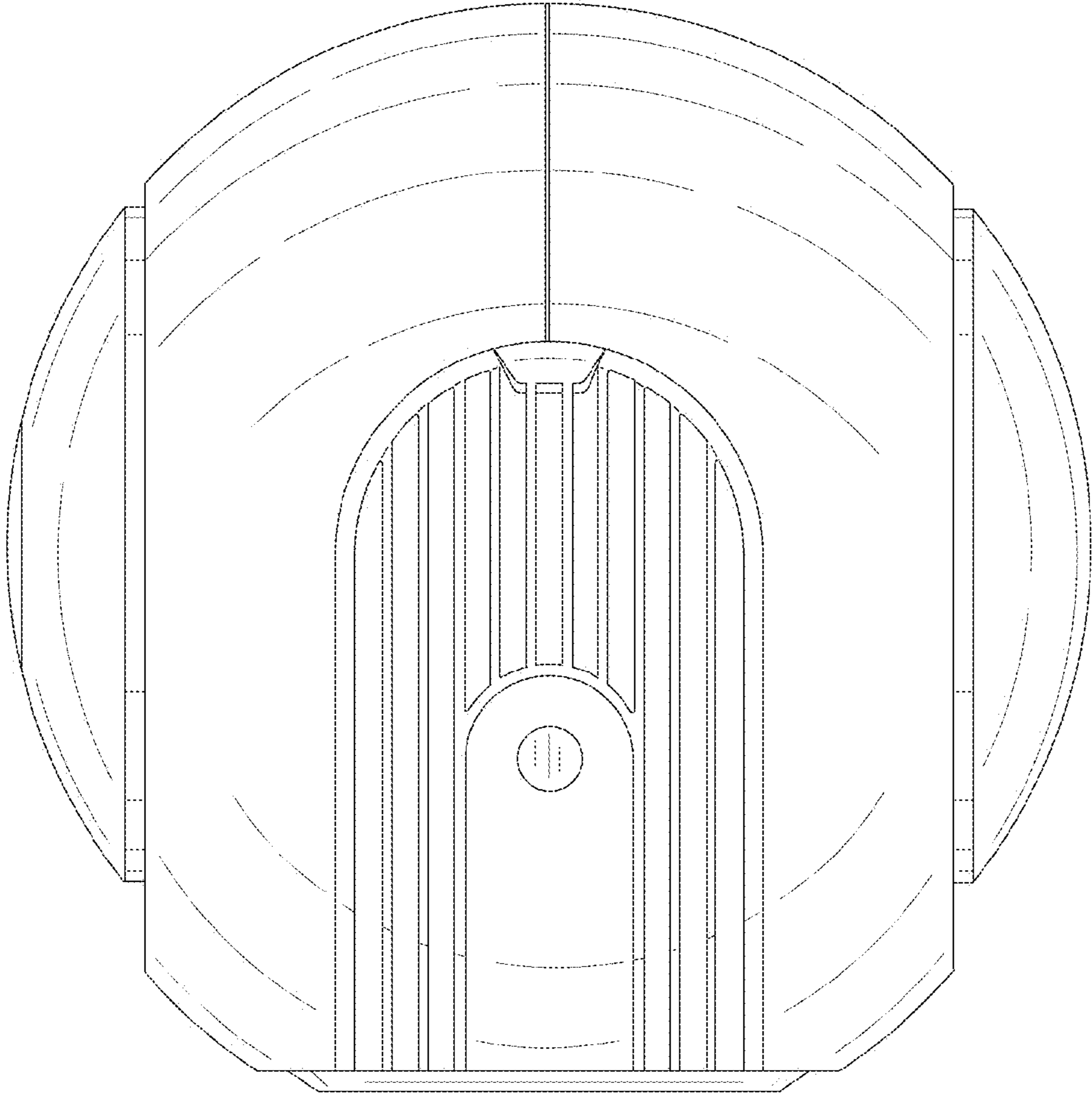


Fig. 2

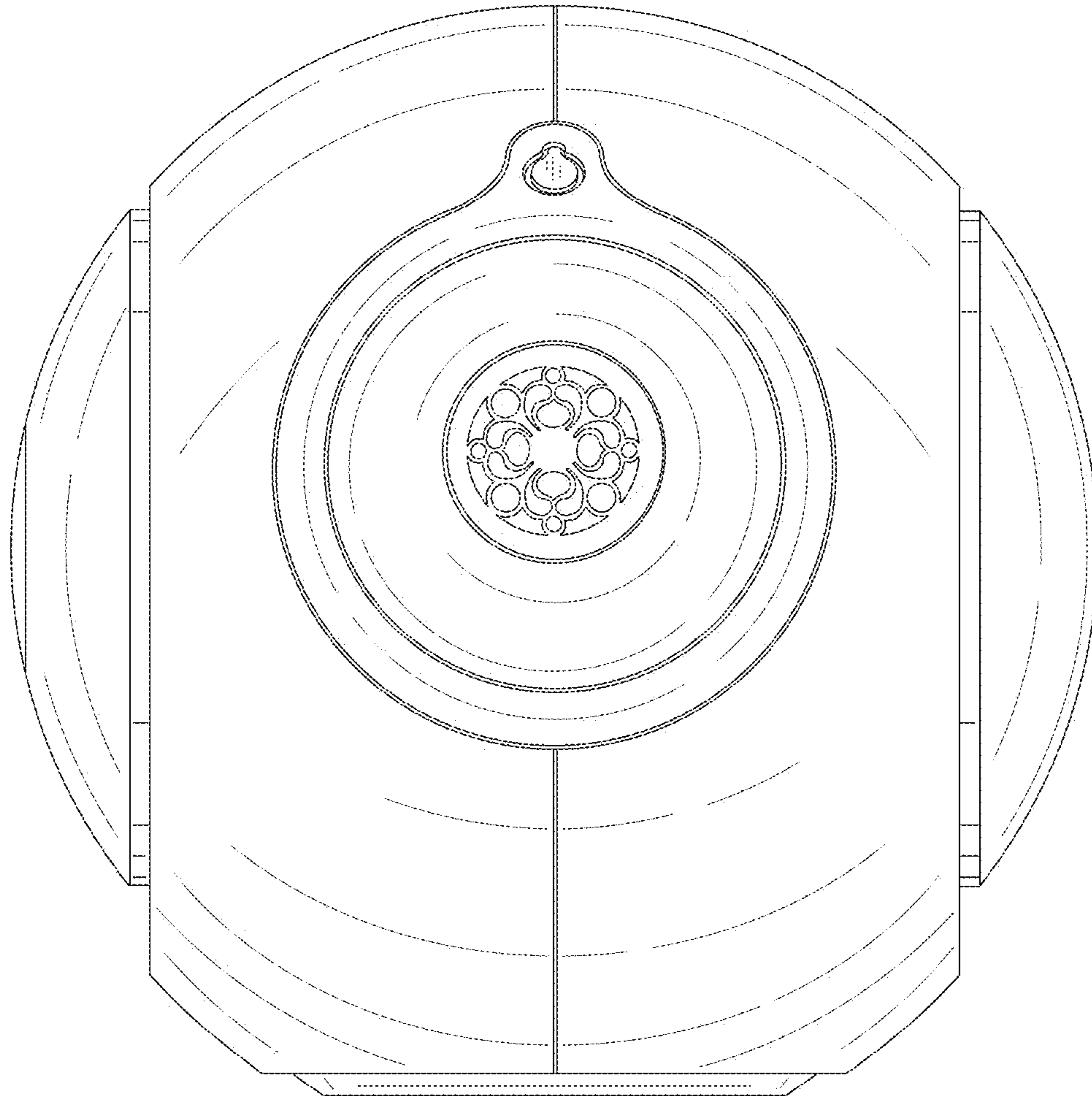


Fig. 3

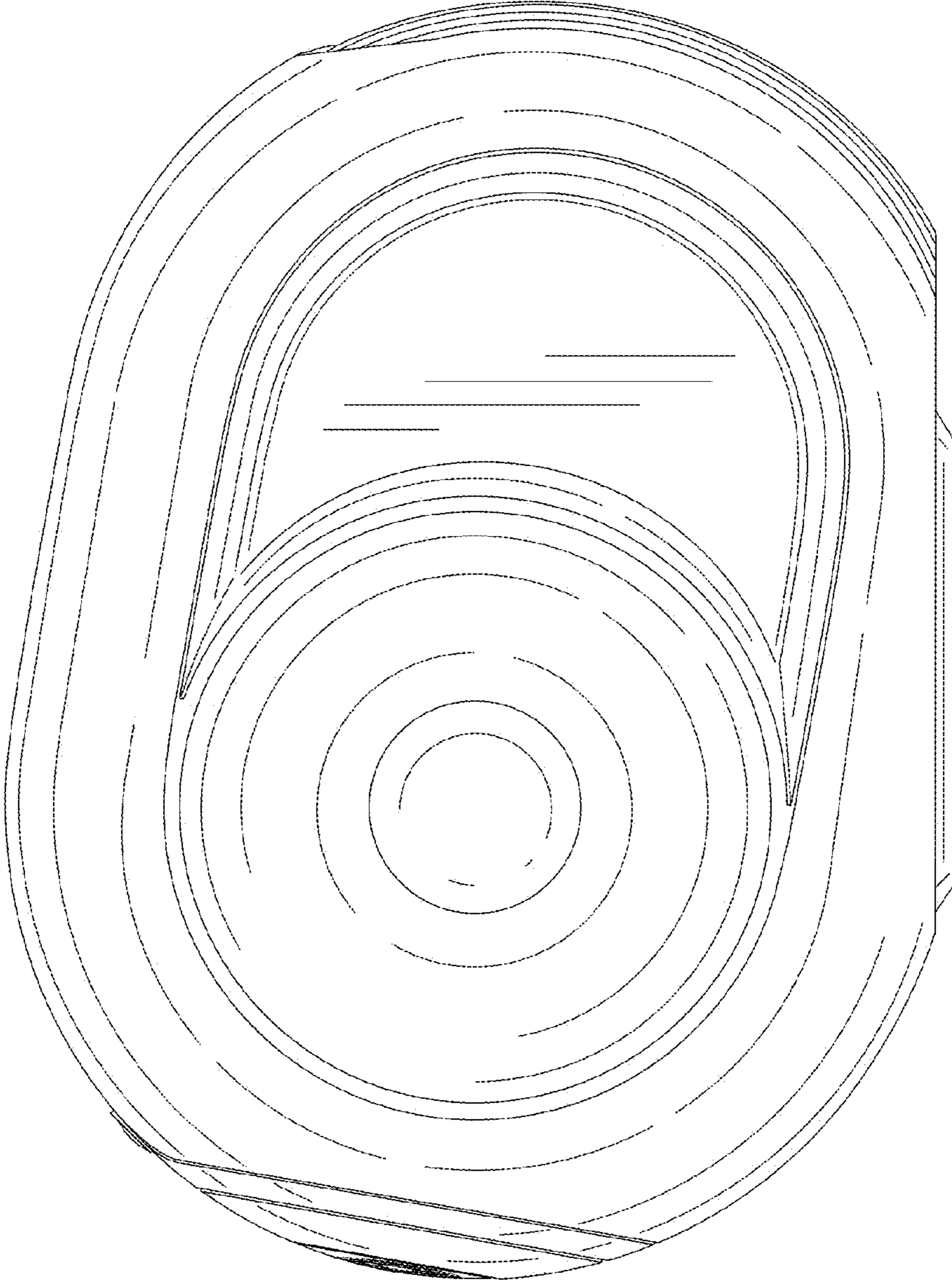


Fig. 4

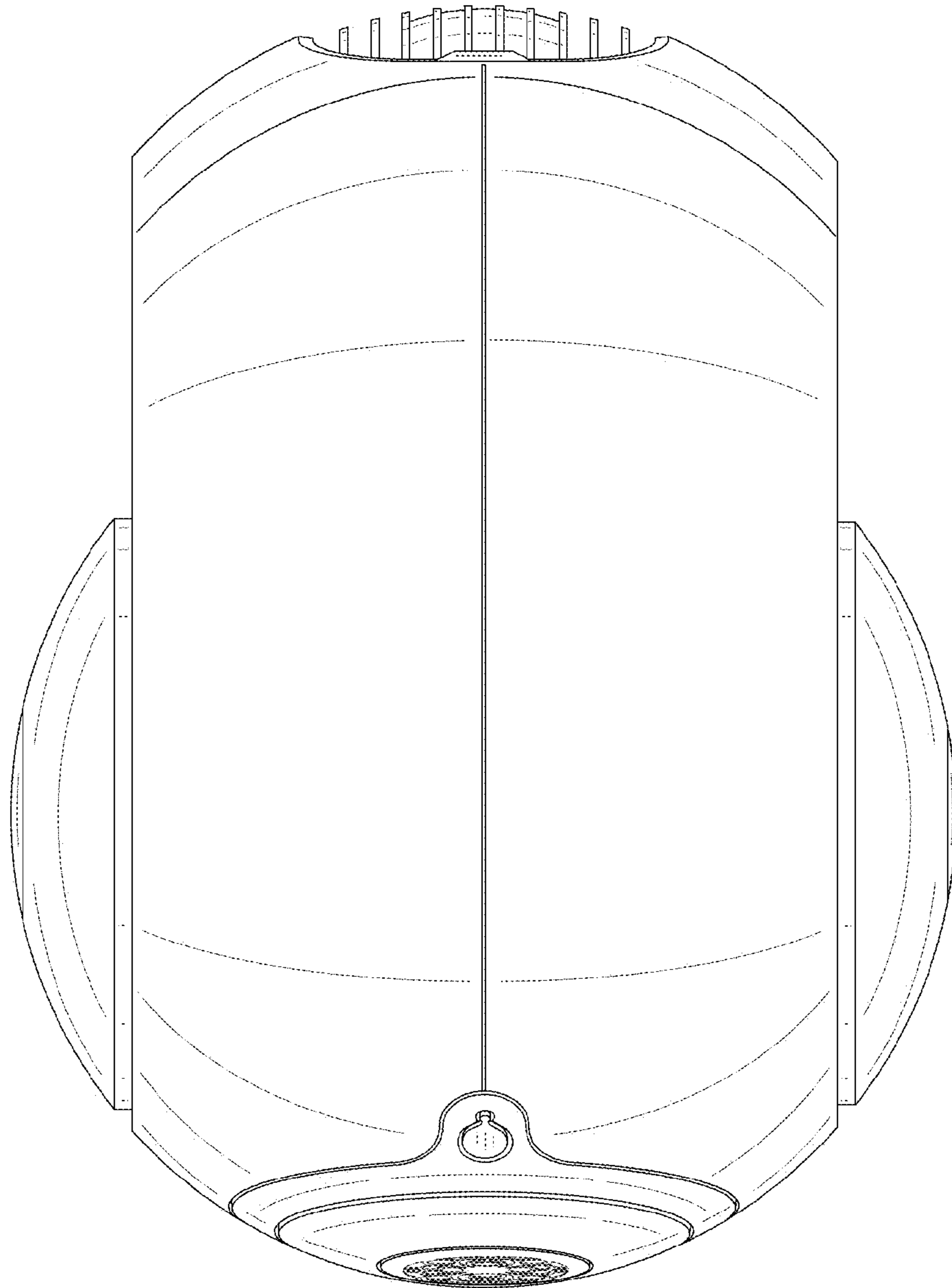


Fig. 5

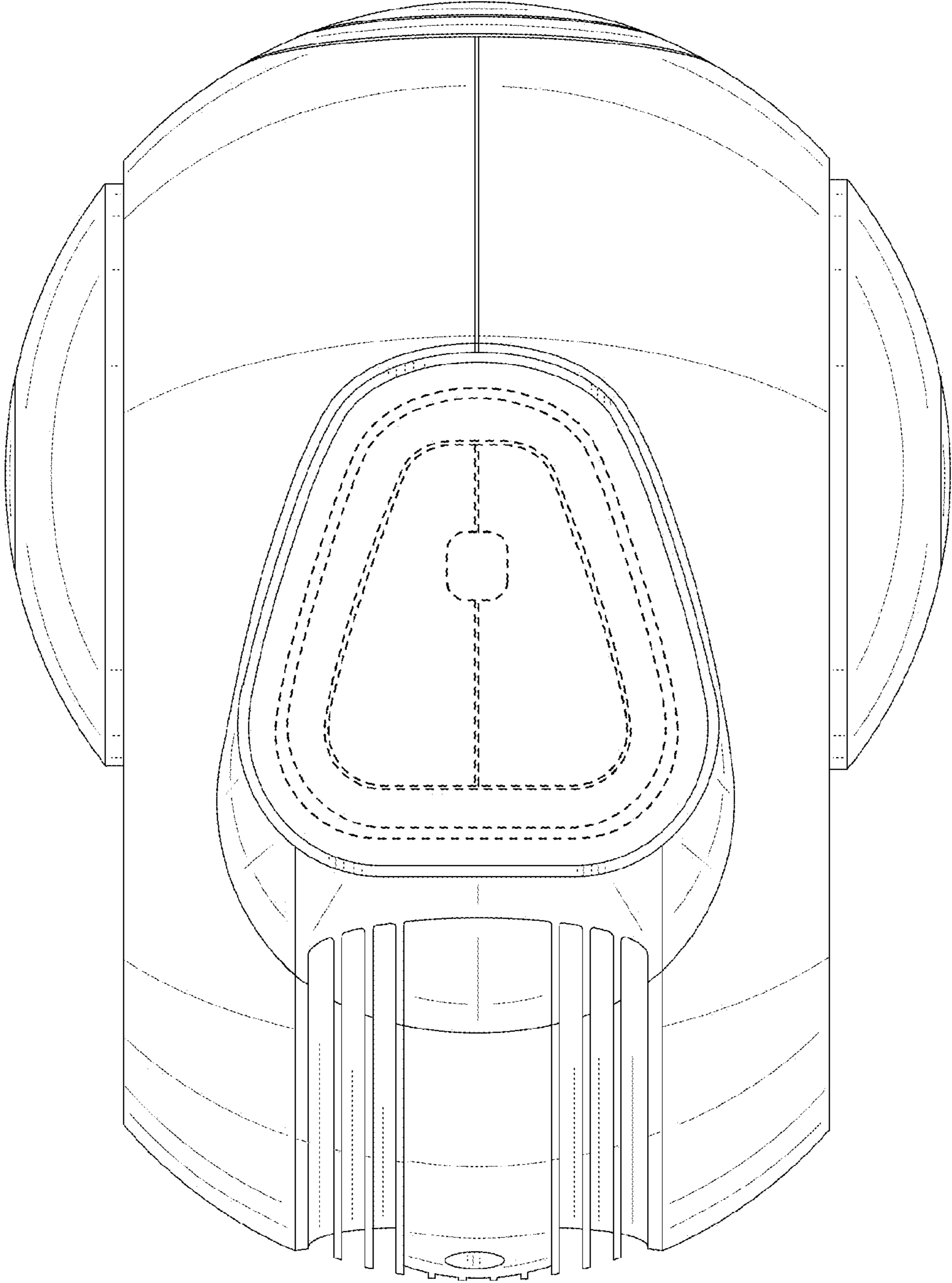


Fig. 6



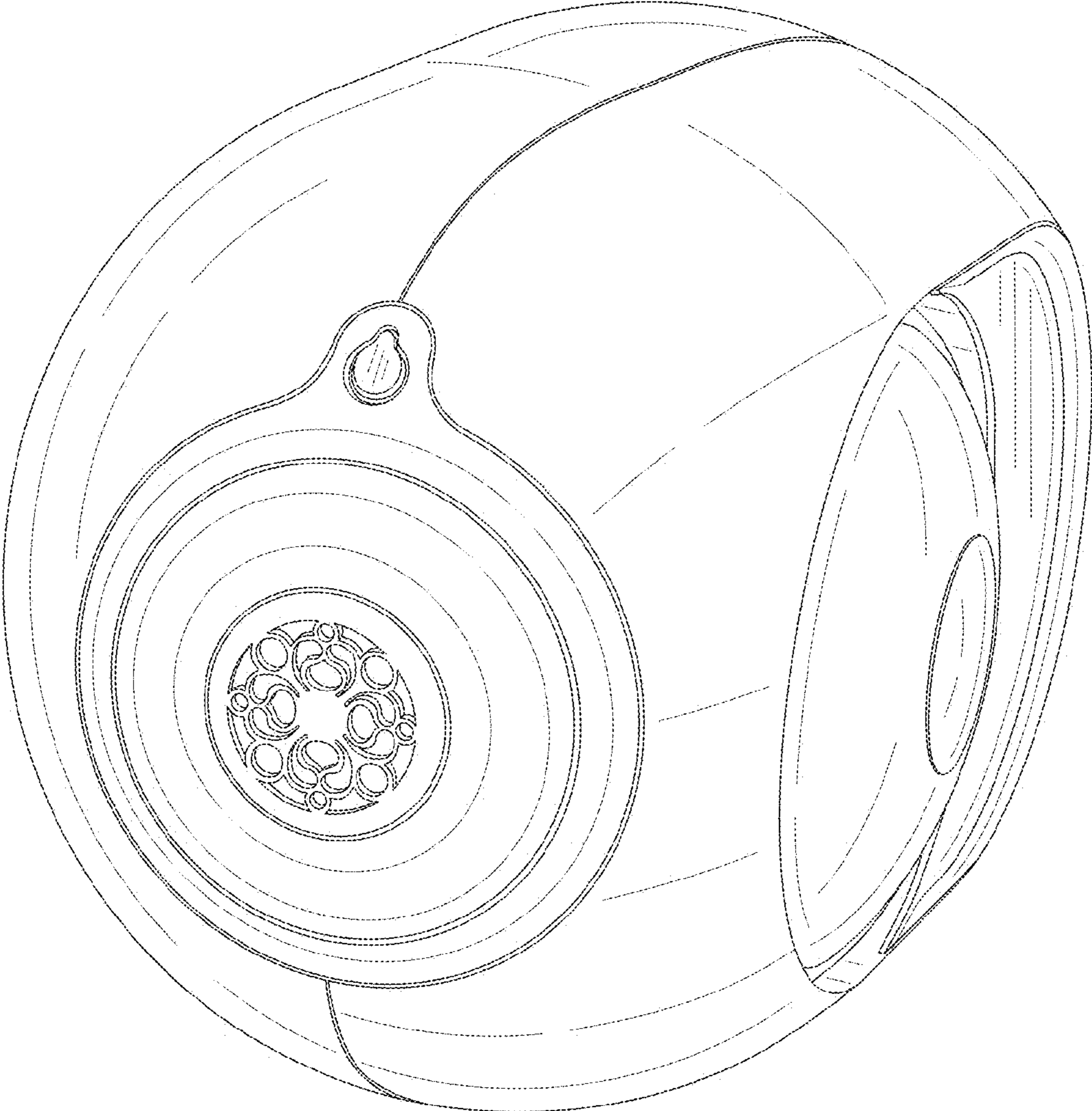


Fig. 7