



US00D752020S

(12) **United States Design Patent**  
**Petersén**

(10) **Patent No.:** **US D752,020 S**  
(45) **Date of Patent:** **\*\* Mar. 22, 2016**

(54) **EARPHONE**

(71) Applicant: **Zound Industries International AB,**  
Stockholm (SE)

(72) Inventor: **Erik Petersén, Johanneshov (SE)**

(73) Assignee: **Zound Industries International AB,**  
Stockholm (SE)

(\*\*) Term: **14 Years**

(21) Appl. No.: **29/519,208**

(22) Filed: **Mar. 3, 2015**

(30) **Foreign Application Priority Data**

Sep. 3, 2014 (EM) ..... 002530345

(51) **LOC (10) Cl.** ..... **14-01**

(52) **U.S. Cl.**  
USPC ..... **D14/205**

(58) **Field of Classification Search**  
USPC ..... D14/205, 223; D5/41, 47; D28/82;  
181/129, 130, 135; 379/430, 431;  
381/87, 380, 381, 328, 322; 455/90.3,  
455/575.1

CPC ..... H04R 1/10  
See application file for complete search history.

(56) **References Cited**

**U.S. PATENT DOCUMENTS**

D107,667 S \* 12/1937 Tannenbaum ..... D5/47  
2,145,449 A \* 1/1939 Lockhart ..... H04R 17/02  
181/126  
D203,071 S \* 11/1965 Harty, Jr. .... D25/155  
3,376,452 A \* 4/1968 Lally ..... H05B 33/26  
313/505  
3,440,365 A \* 4/1969 Hazell ..... H04M 1/05  
379/430  
D229,519 S \* 12/1973 Wood ..... D14/155  
D239,775 S \* 5/1976 Reed ..... D14/215

D280,985 S \* 10/1985 Grimes ..... D14/214  
4,949,081 A \* 8/1990 Keller ..... G09F 9/302  
345/33  
D348,067 S \* 6/1994 Lucey ..... D14/223  
D416,260 S \* 11/1999 Harvey ..... D14/214  
D431,553 S \* 10/2000 Suzuki ..... D14/223  
D457,514 S \* 5/2002 Marion ..... D14/223  
D505,411 S \* 5/2005 Sakai ..... D14/192  
D550,657 S \* 9/2007 Gan ..... D14/223  
7,337,565 B2 \* 3/2008 Tsutsumi ..... G02F 1/134327  
340/15.53  
D566,099 S \* 4/2008 Komiyama ..... D14/206  
D580,900 S \* 11/2008 Wong ..... D14/138 AA  
D584,283 S \* 1/2009 Soetejo ..... D14/205  
D589,486 S \* 3/2009 He ..... D14/138 AB  
D595,268 S \* 6/2009 Kolton ..... D14/205  
D598,010 S \* 8/2009 Matsuda ..... D14/205  
D599,778 S \* 9/2009 Ando ..... D14/205  
D603,380 S \* 11/2009 Hutchieson ..... D14/223  
D606,532 S \* 12/2009 de Jong ..... D14/250  
D615,940 S \* 5/2010 Kim ..... D14/138 AA  
D652,822 S \* 1/2012 Lee ..... D14/223

(Continued)

*Primary Examiner* — Paula Greene

(74) *Attorney, Agent, or Firm* — Capitol City TechLaw

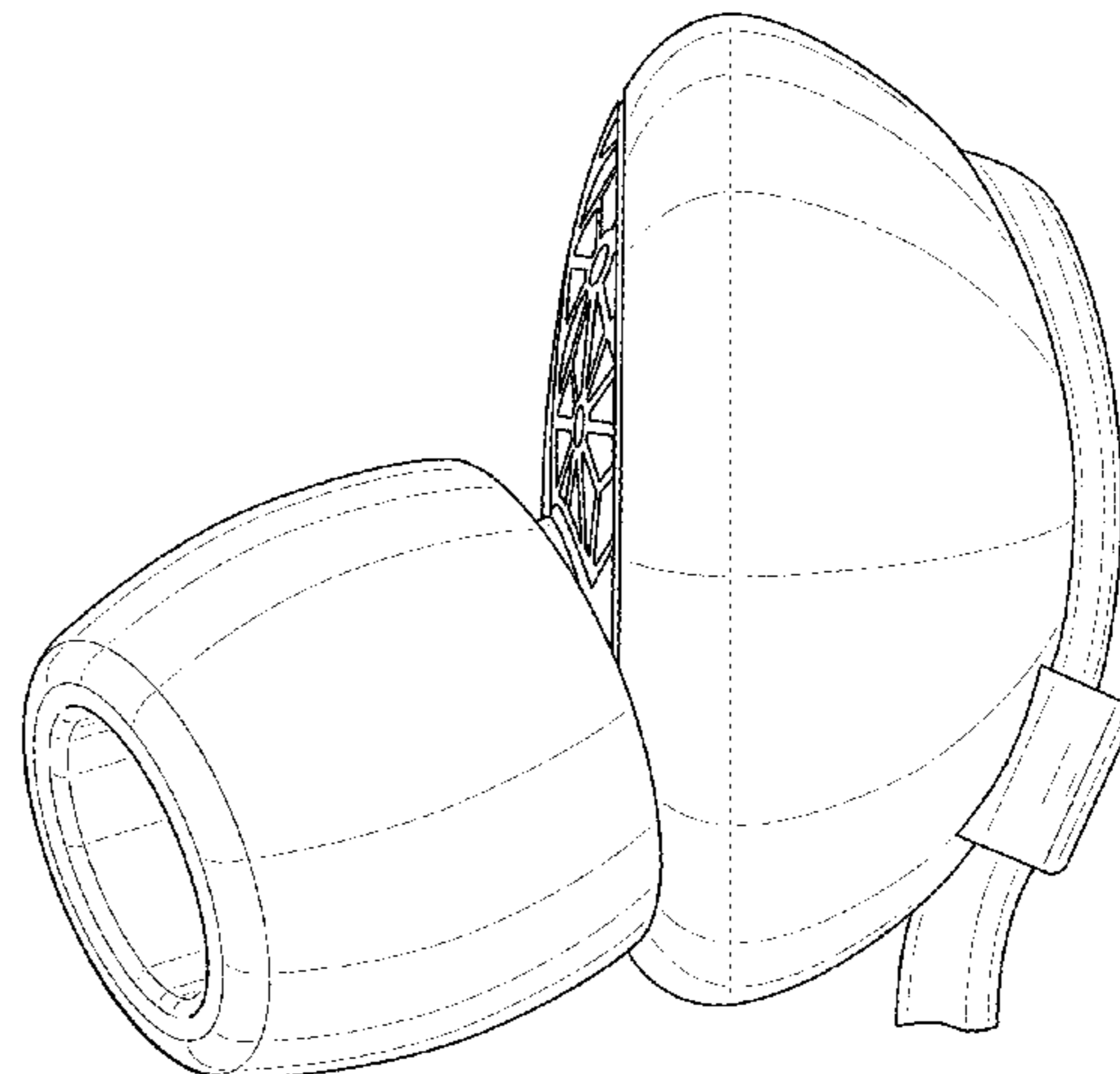
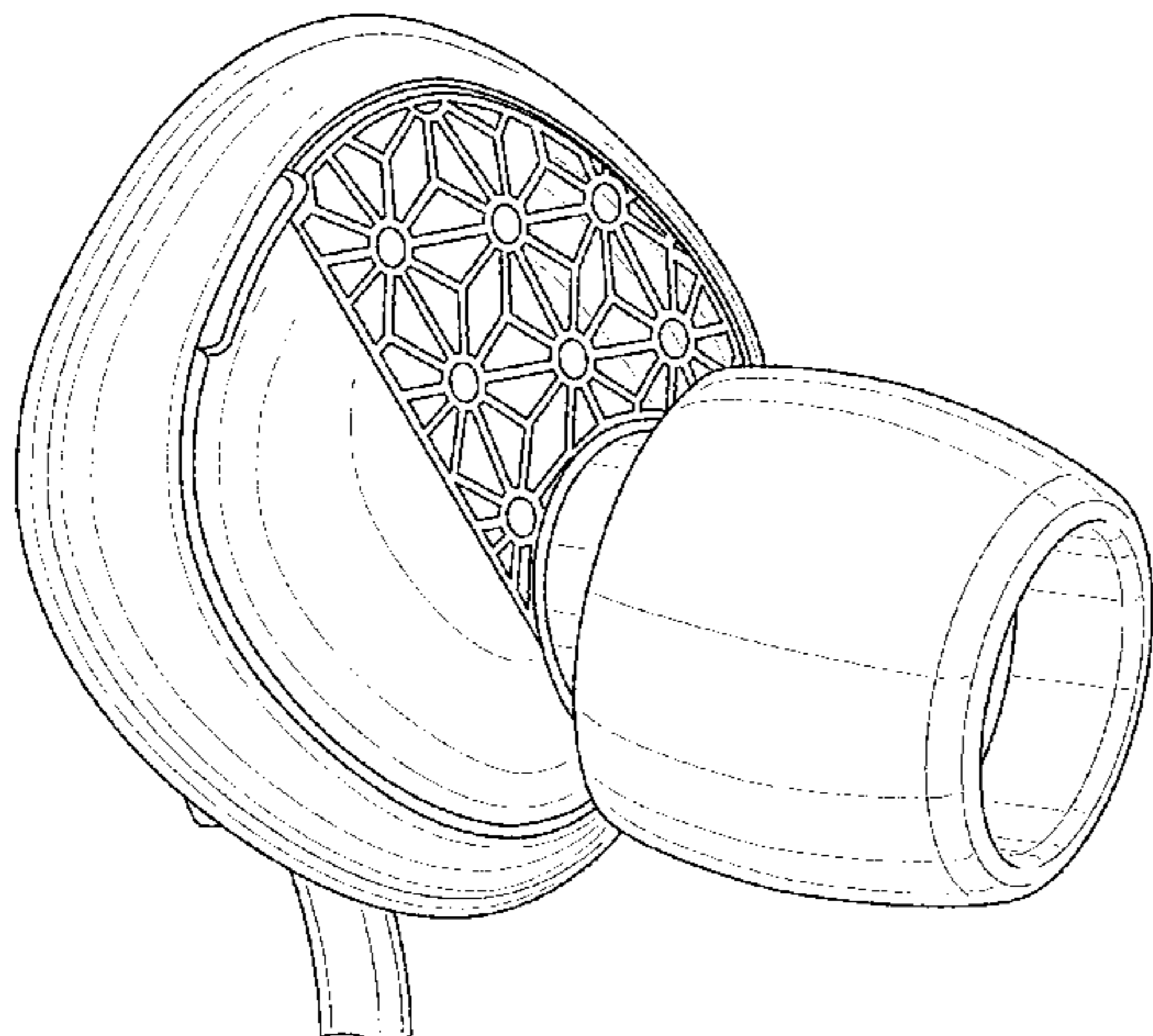
(57) **CLAIM**

The ornamental design for an earphone, as shown and described.

**DESCRIPTION**

FIG. 1 is a bottom view of an earphone showing my new design;  
FIG. 2 is a front perspective view thereof;  
FIG. 3 is a rear perspective view thereof;  
FIG. 4 is a front view thereof;  
FIG. 5 is a left side view thereof; and,  
FIG. 6 is a top view thereof.  
In each of FIGS. 1-6, the solid wavy line at the end of the cord represents an unclaimed boundary and forms no part of the claimed design.

**1 Claim, 6 Drawing Sheets**



(56)

**References Cited**

U.S. PATENT DOCUMENTS

D676,027 S \* 2/2013 Hedrick ..... D14/223  
D711,356 S \* 8/2014 Yang ..... D14/223  
D718,745 S \* 12/2014 Thompson ..... D14/223  
D719,139 S \* 12/2014 Henry ..... D14/223  
D734,294 S \* 7/2015 Euler ..... D14/205

D737,251 S \* 8/2015 Thompson ..... D14/223  
D739,851 S \* 9/2015 Donohue, II ..... D14/223  
D746,792 S \* 1/2016 Kim ..... D14/205  
2011/0176700 A1\* 7/2011 Hashimoto ..... H04R 1/1016  
381/380

\* cited by examiner

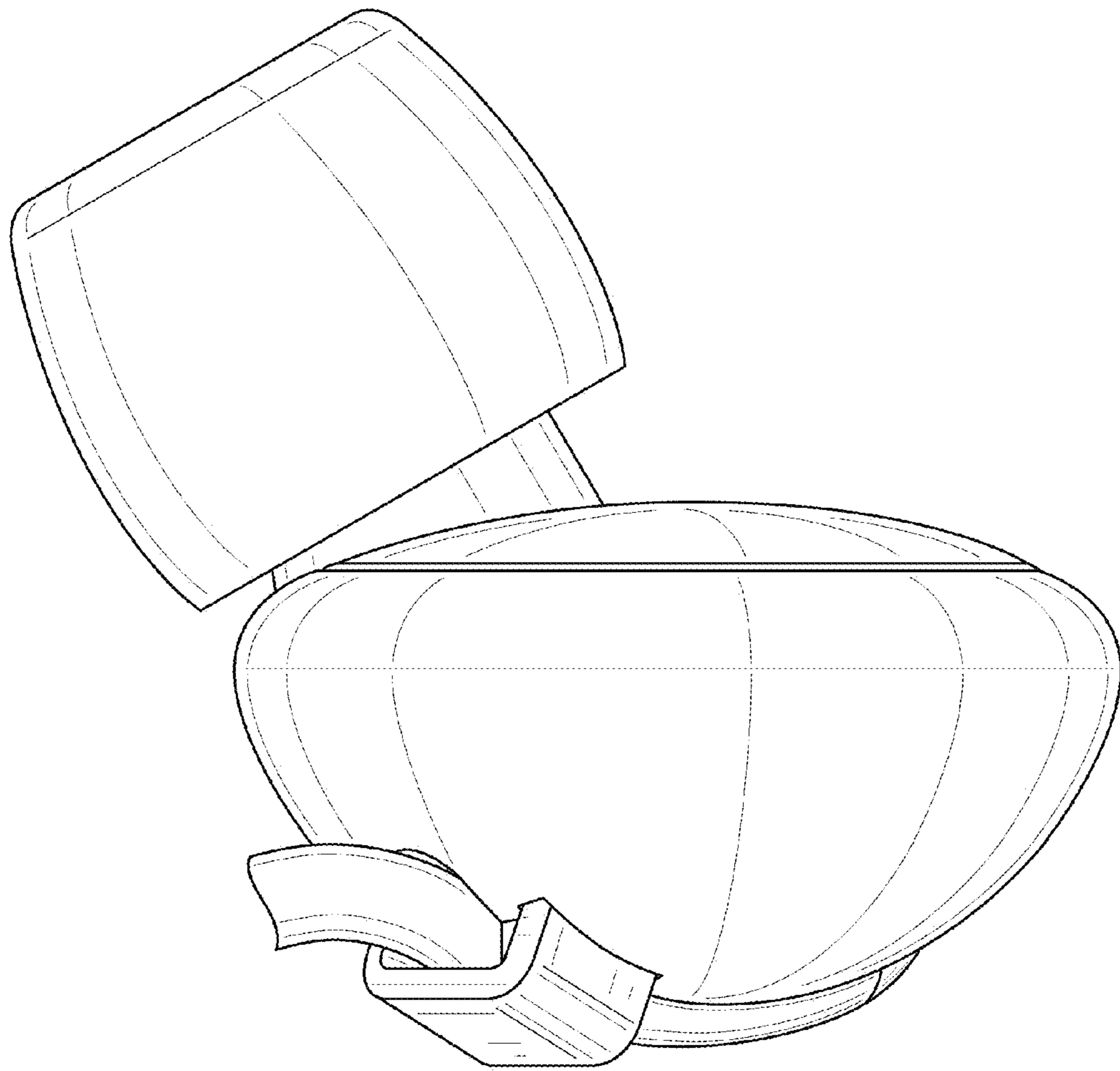


FIG. 1

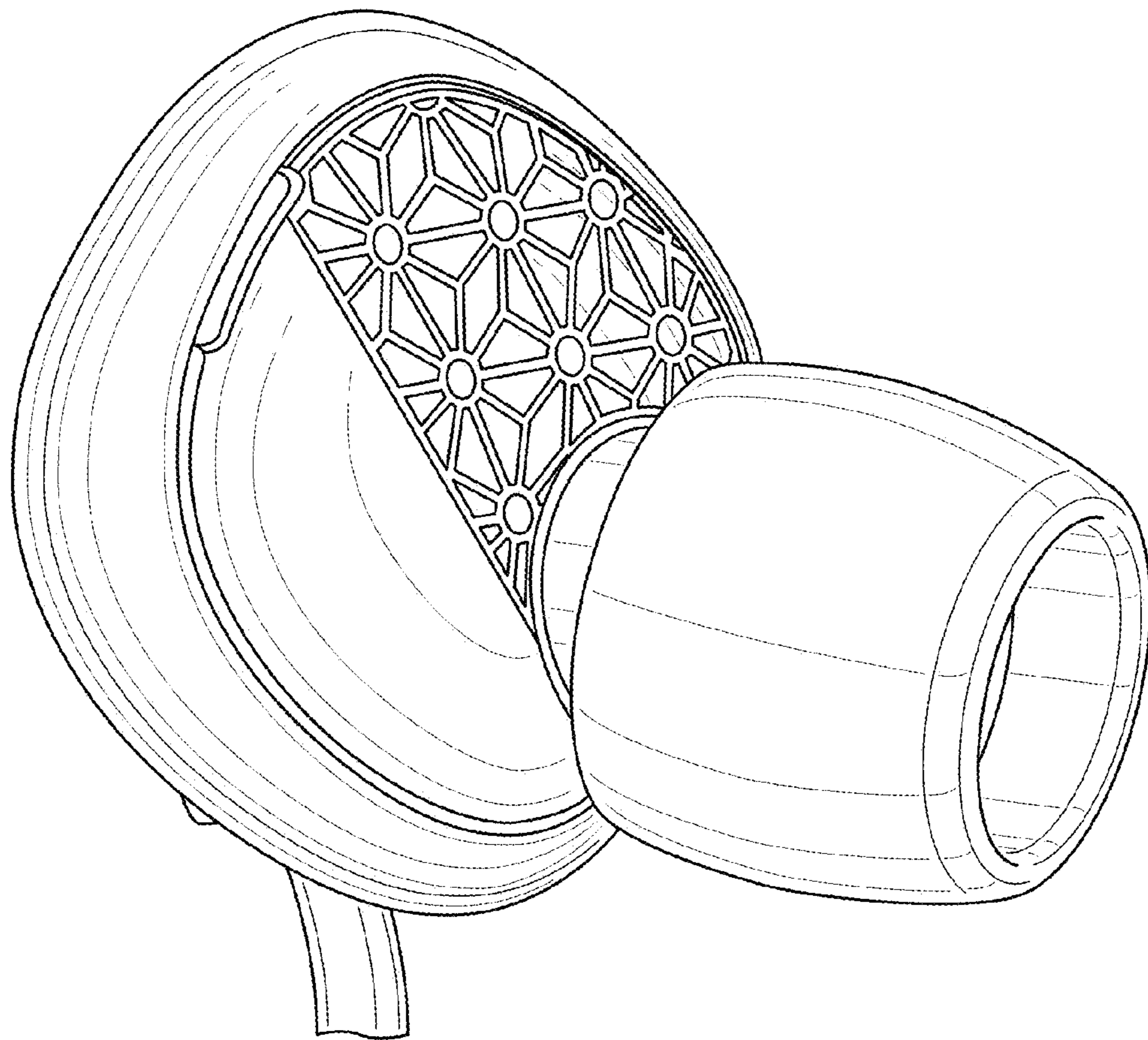


FIG. 2

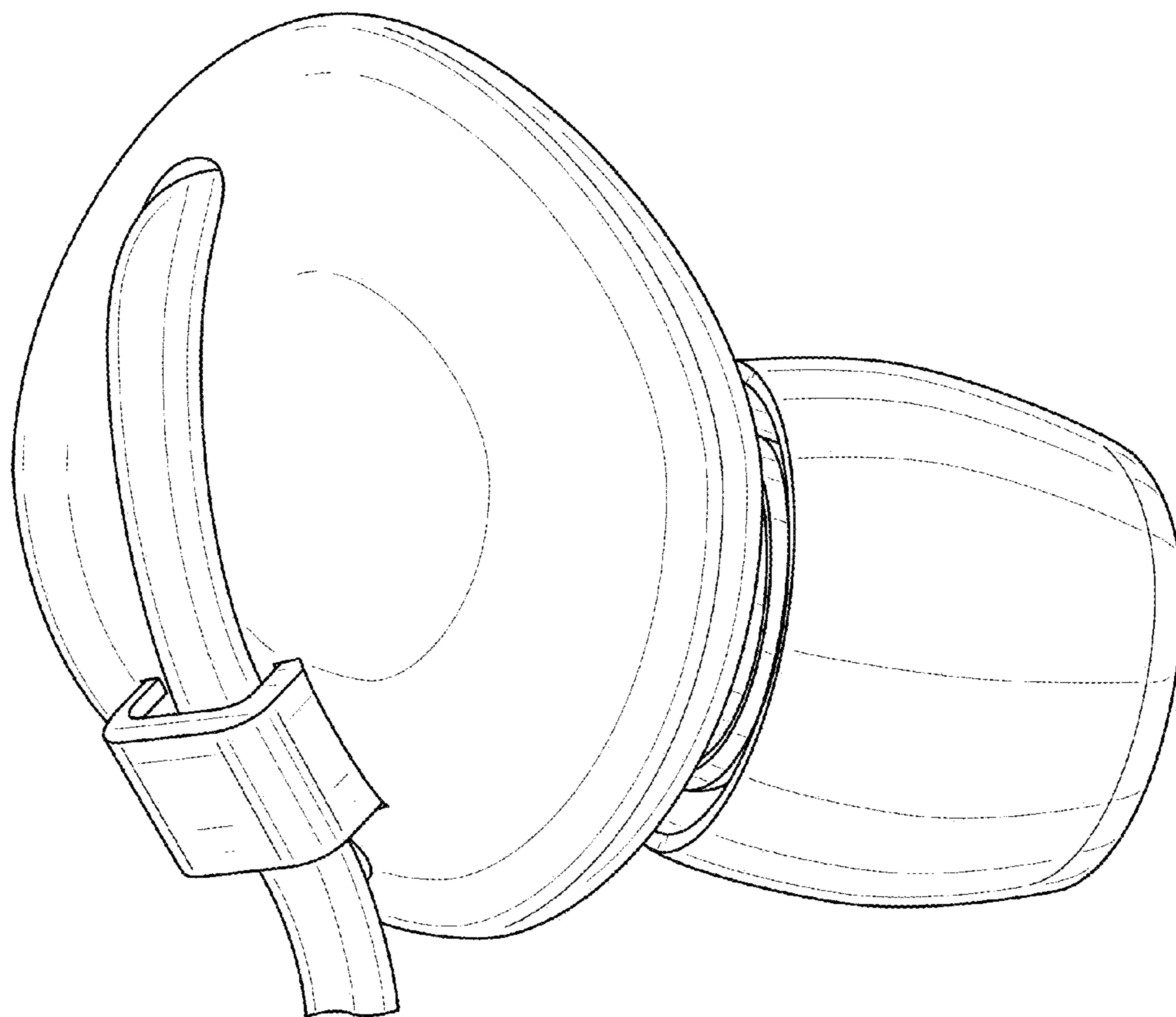


FIG. 3

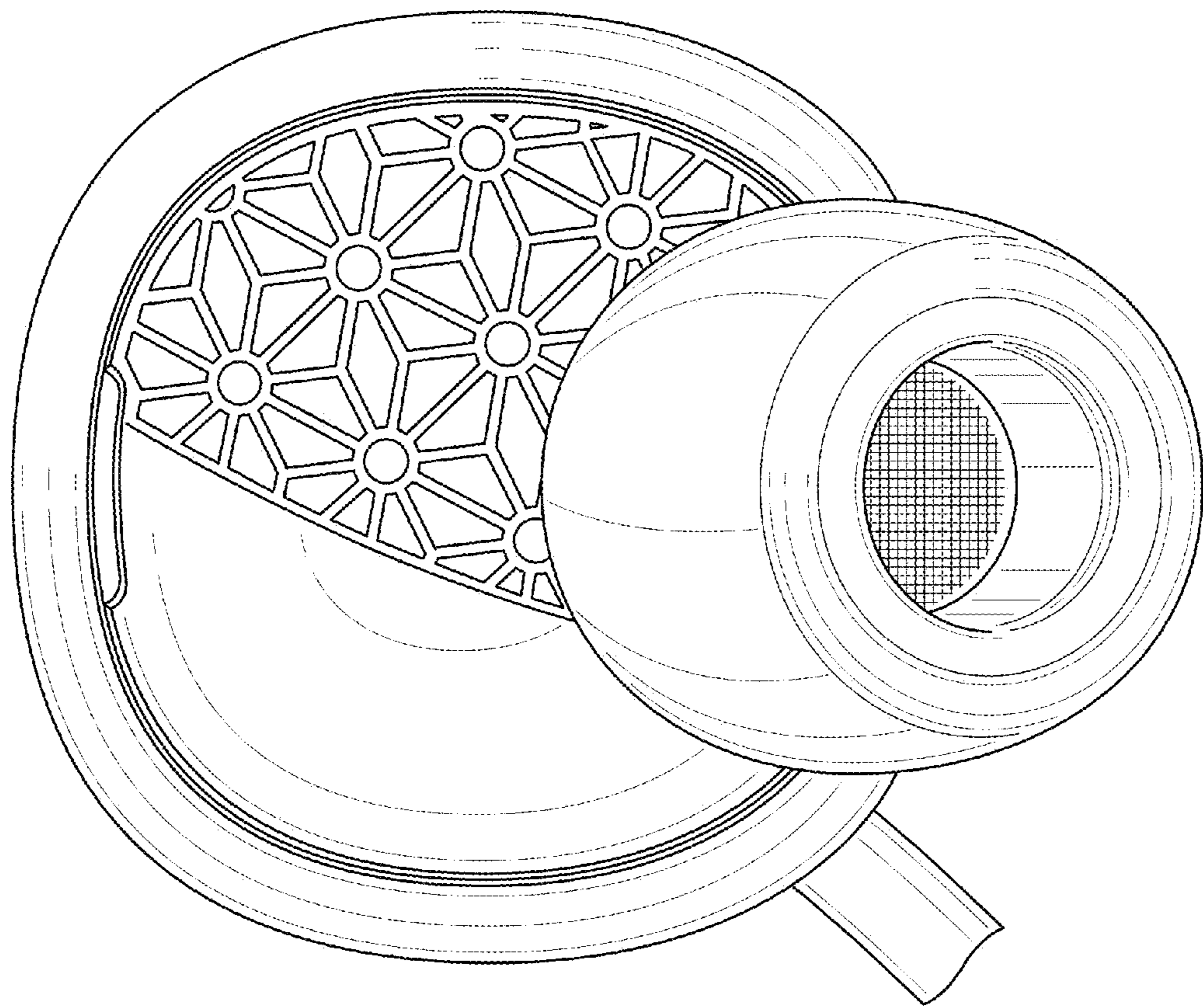


FIG. 4

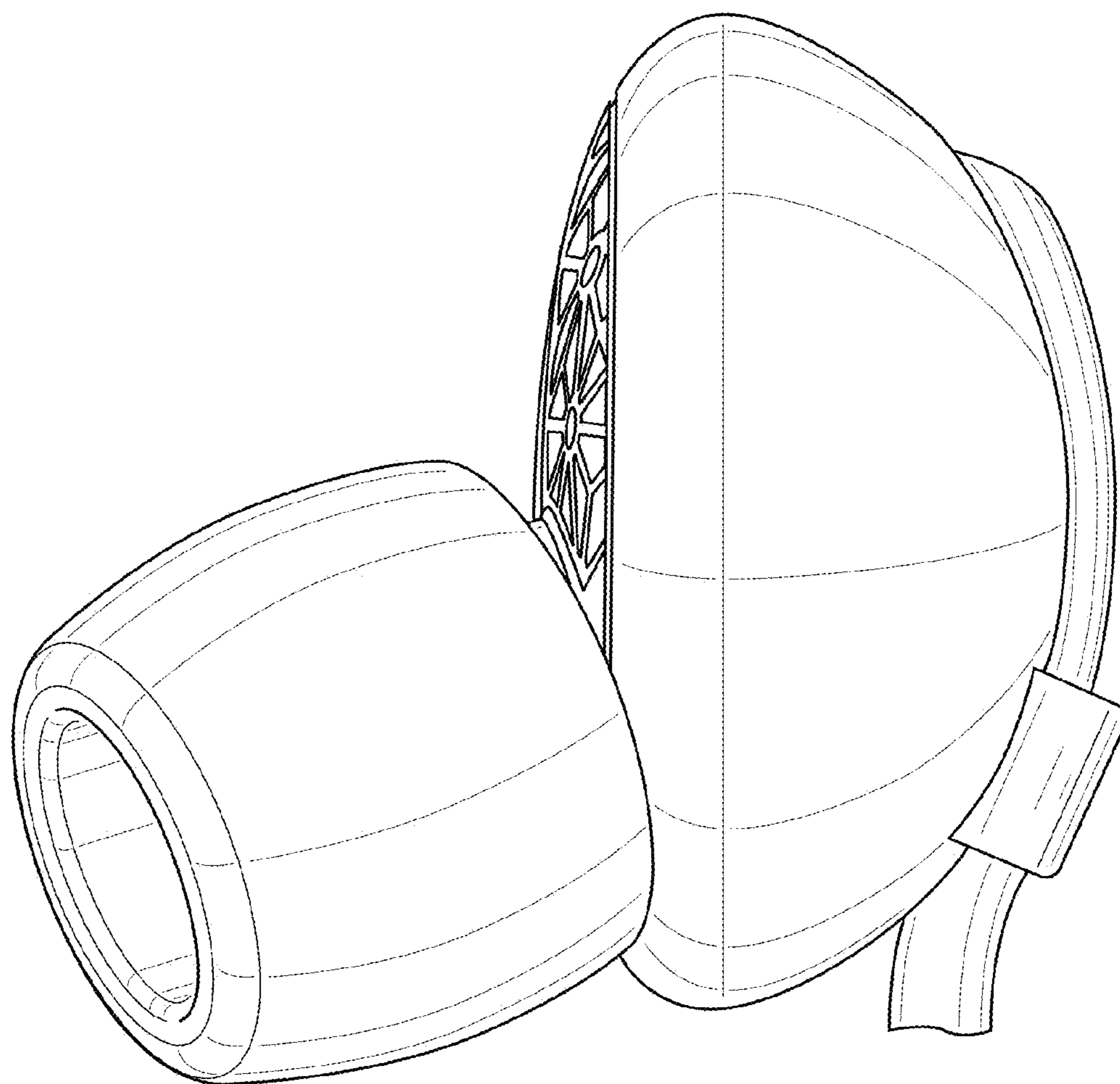


FIG. 5

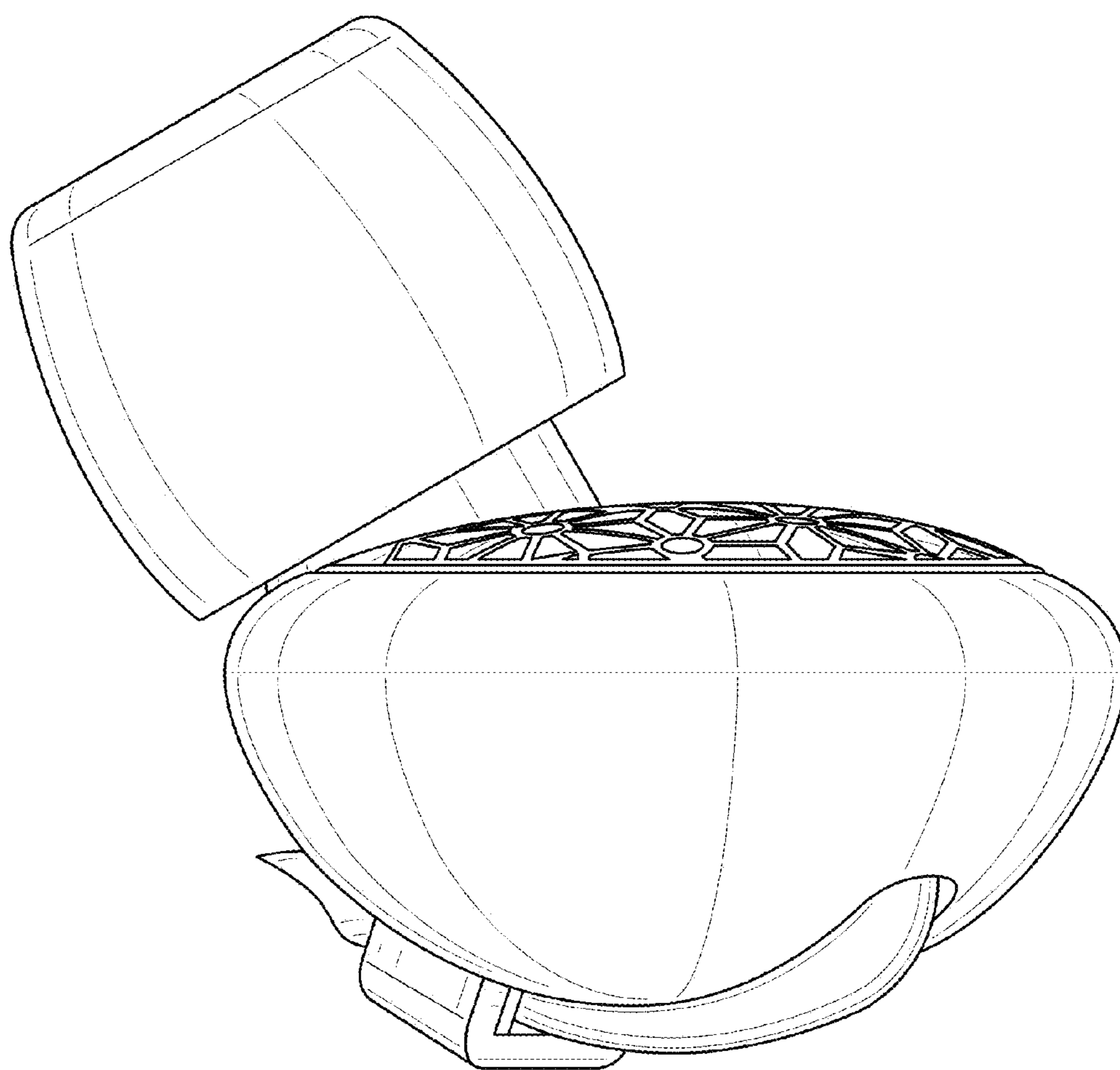


FIG. 6