



US00D752019S

(12) **United States Design Patent**
Breines

(10) **Patent No.:** **US D752,019 S**
(45) **Date of Patent:** **** Mar. 22, 2016**

- (54) **HEADPHONE CONNECTOR**
- (71) Applicant: **Robert Breines**, Westlake Village, CA (US)
- (72) Inventor: **Robert Breines**, Westlake Village, CA (US)
- (**) Term: **14 Years**
- (21) Appl. No.: **29/518,162**
- (22) Filed: **Feb. 20, 2015**
- (51) **LOC (10) Cl.** **14-01**
- (52) **U.S. Cl.**
USPC **D14/205**
- (58) **Field of Classification Search**
USPC D14/205, 223; D13/133, 154; 181/129, 181/130, 135; 379/430, 431; 381/380, 381; 439/669; 174/87; 455/90.3, 575.1
CPC H04R 25/00
See application file for complete search history.

- D467,240 S * 12/2002 Ruohonen D14/205
- 6,658,130 B2 * 12/2003 Huang B65D 23/065 379/430
- 6,912,291 B2 * 6/2005 Huang H04R 1/10 381/374
- 6,979,231 B2 * 12/2005 Shinohara H01R 13/70 439/188
- 6,999,586 B2 * 2/2006 Yun H04M 1/0214 379/430
- 7,018,236 B2 * 3/2006 Nishio H01R 13/5845 439/445
- 7,086,512 B2 * 8/2006 Shack H04M 1/15 191/12 R
- 7,139,590 B2 * 11/2006 Liu H04M 1/6058 455/556.1
- D566,107 S * 4/2008 Bowling D14/205
- D590,371 S * 4/2009 Leinvuo D14/205
- D605,628 S * 12/2009 Ando D14/205
- D624,902 S * 10/2010 Kolton D14/205
- 7,889,881 B2 * 2/2011 Ostrowski H04R 1/1016 381/328
- D636,756 S * 4/2011 Fahrendorff D14/205
- 8,011,971 B2 * 9/2011 Yang H01R 13/052 439/669
- D682,808 S * 5/2013 Fletcher D14/205
- D692,409 S * 10/2013 Takeno D14/205

* cited by examiner

Primary Examiner — Paula Greene

(56) **References Cited**
U.S. PATENT DOCUMENTS

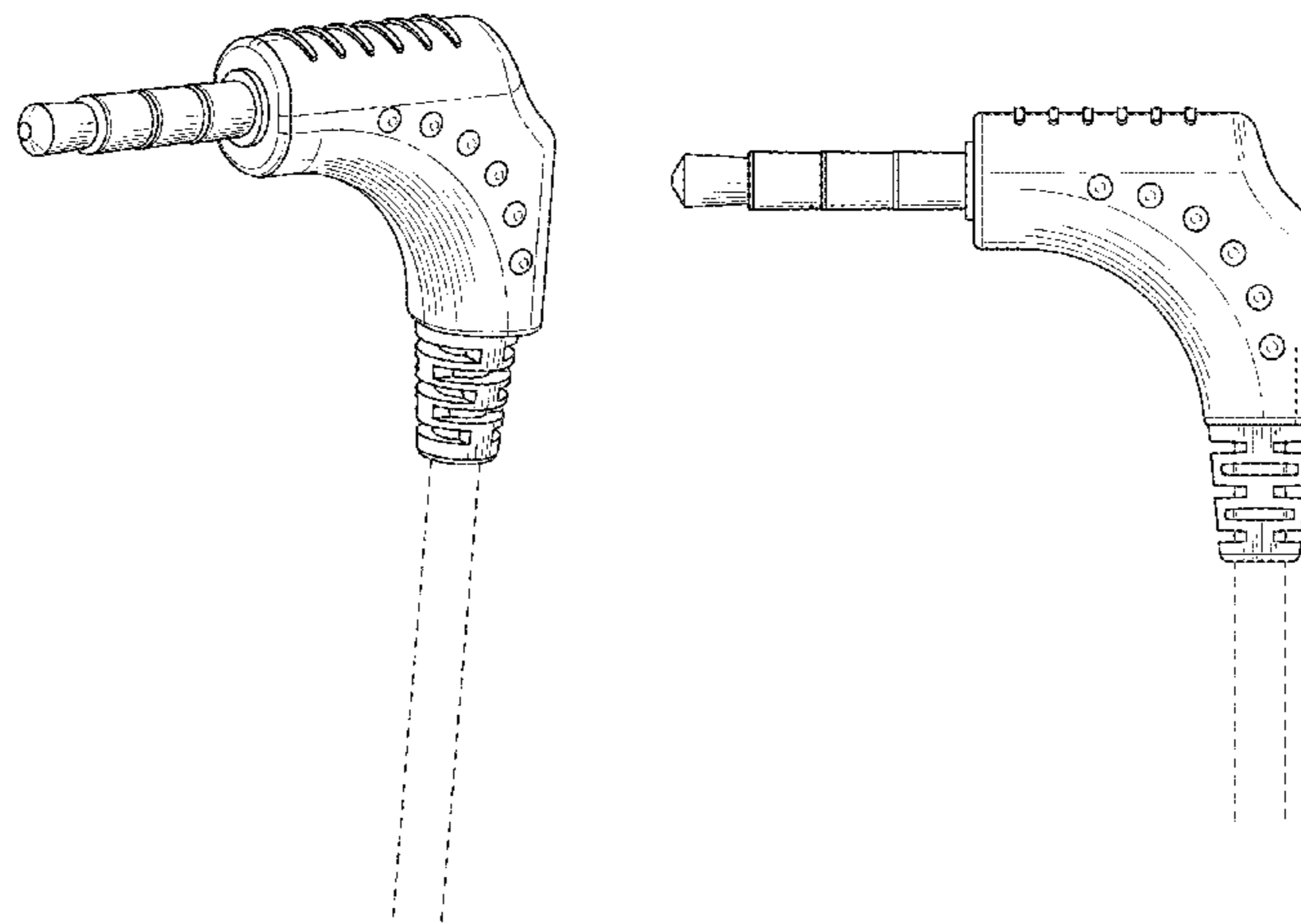
- 2,813,144 A * 11/1957 Valach H01R 24/545 174/87
- D244,611 S * 6/1977 Gietzen D13/133
- 4,646,872 A * 3/1987 Kamon H04R 1/225 181/129
- 4,901,355 A * 2/1990 Moore A61F 9/029 381/327
- 5,222,151 A * 6/1993 Nagayoshi H04R 1/1016 381/313
- 5,581,622 A * 12/1996 Sakurai H04R 1/1015 381/370
- D430,547 S * 9/2000 Yoon D14/142
- D430,860 S * 9/2000 Yoon D14/142
- D431,030 S * 9/2000 Yoon D14/142
- 6,122,369 A * 9/2000 Hwang H04M 1/6058 379/420.03
- D450,298 S * 11/2001 Suzuki D13/133
- 6,438,248 B1 * 8/2002 Kamimura H04M 1/05 381/374
- D464,945 S * 10/2002 Bosch D14/206
- D465,472 S * 11/2002 Bosch D14/206

(57) **CLAIM**
I claim the ornamental design for a headphone connector, as shown and described.

DESCRIPTION

FIG. 1 is a front perspective view of a headphone connector, showing the new design;
FIG. 2 is a front elevational view thereof;
FIG. 3 is a rear elevational view thereof;
FIG. 4 is a right-side elevational view, the left-side elevational view being a mirror image thereof;
FIG. 5 is a top plan view thereof; and,
FIG. 6 is a bottom plan view thereof.
The broken lines showing a cable in FIGS. 1-4 and 6 form no part of the claimed design.

1 Claim, 3 Drawing Sheets



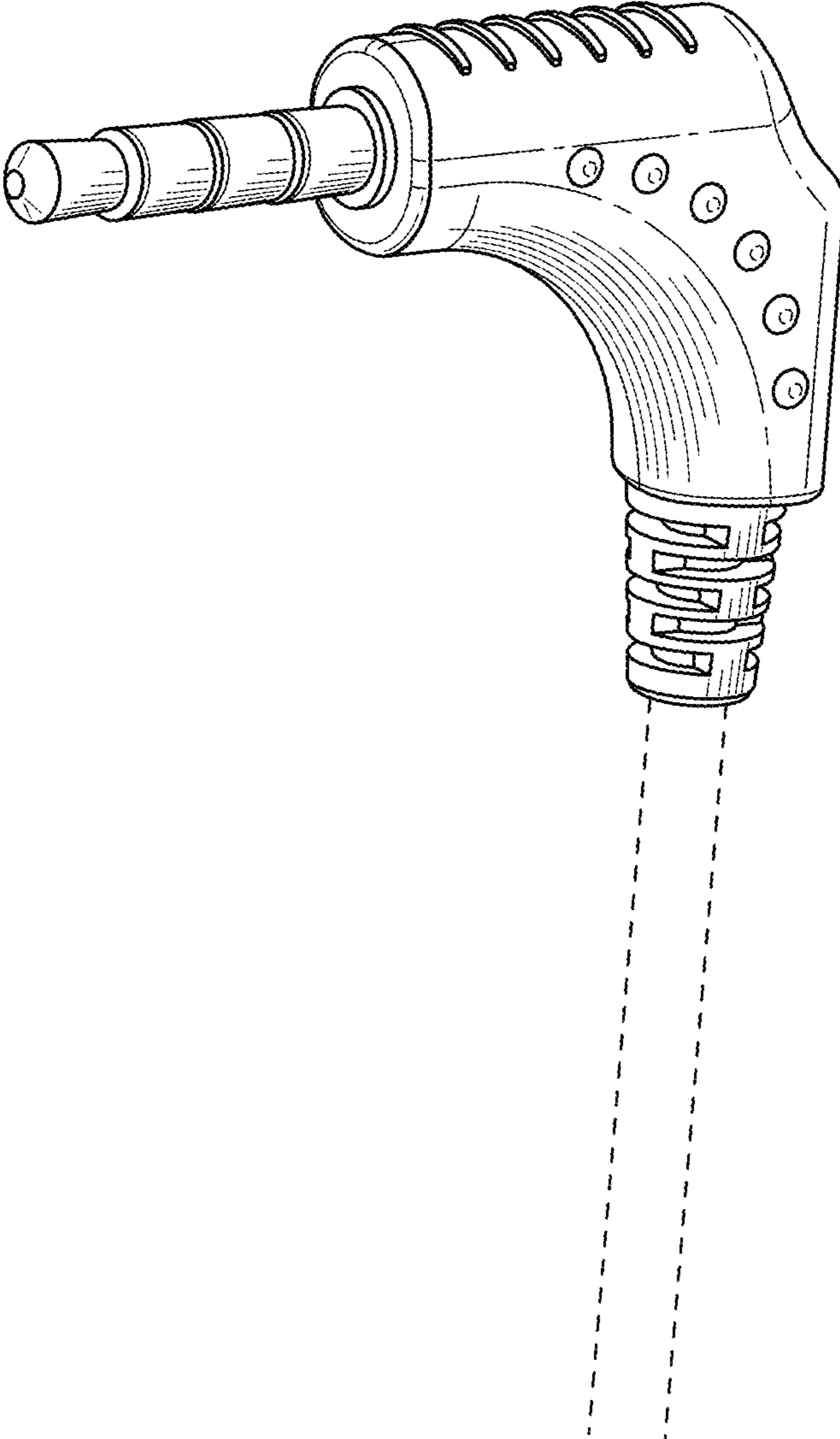


FIG. 1

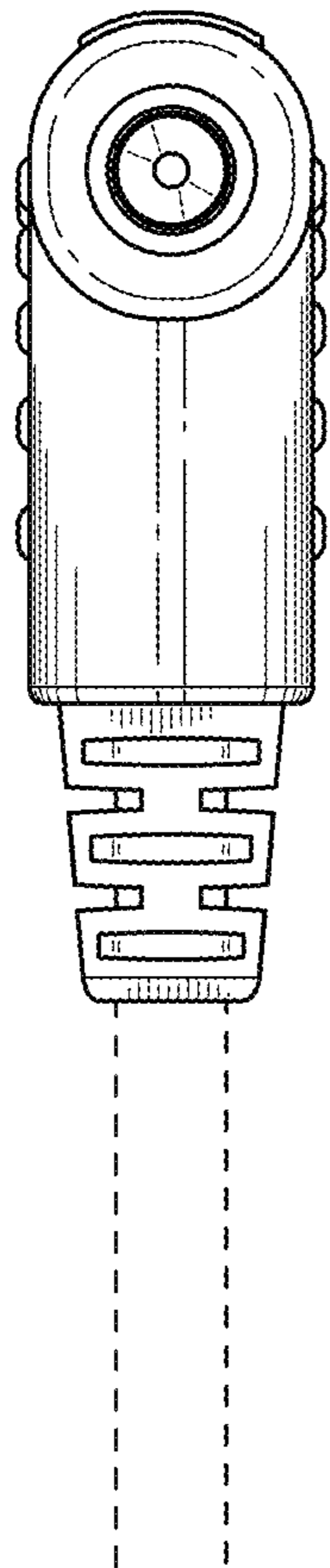


FIG. 2

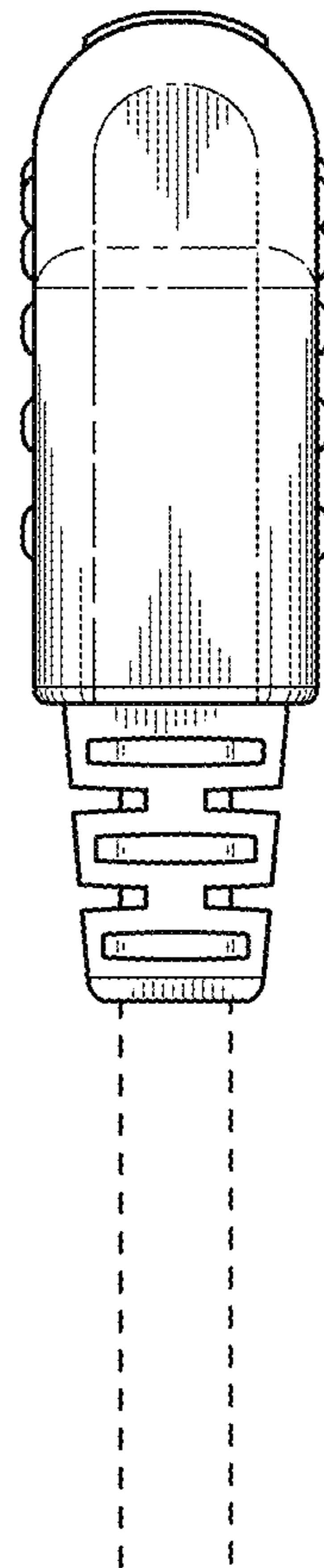


FIG. 3

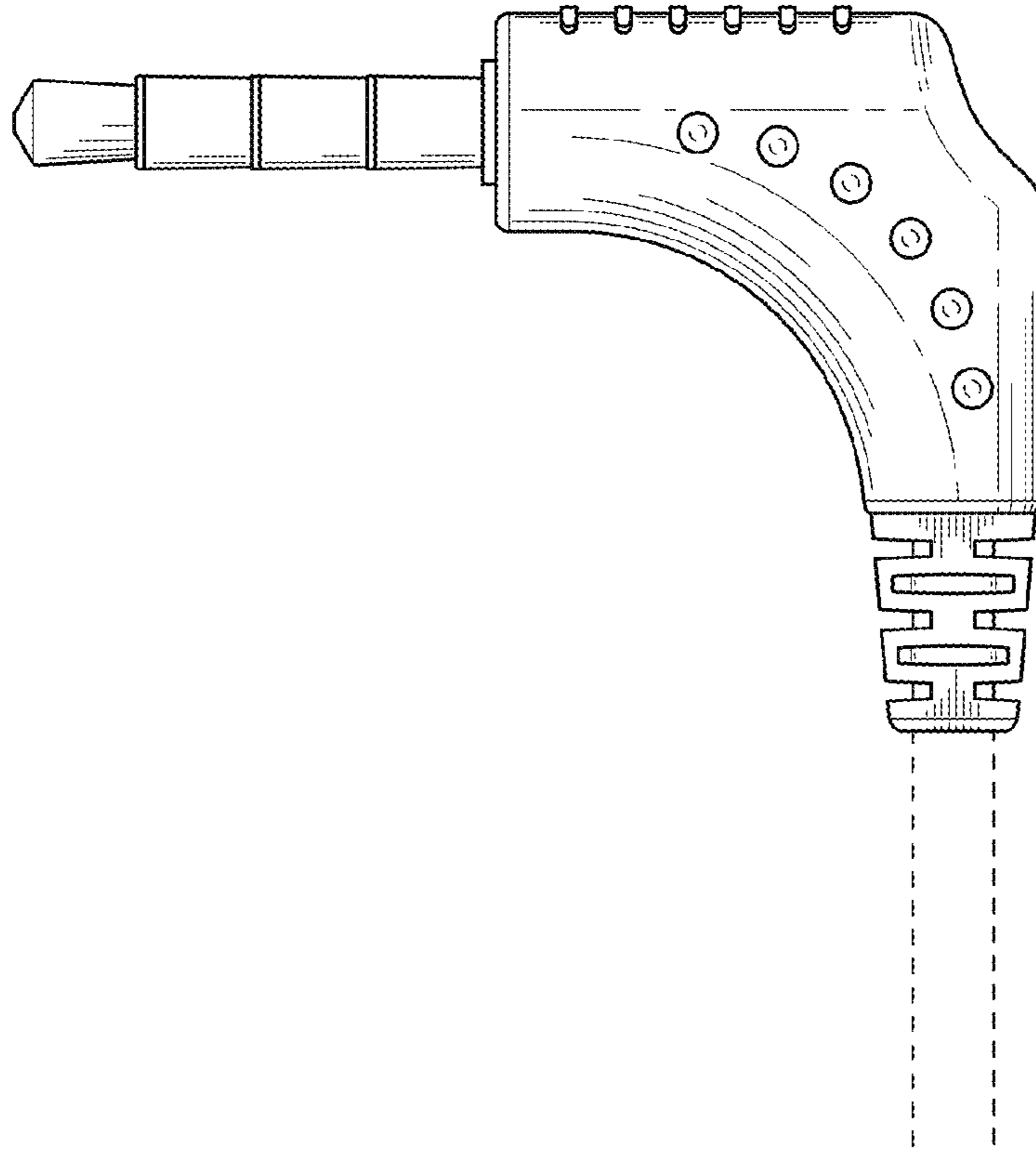


FIG. 4

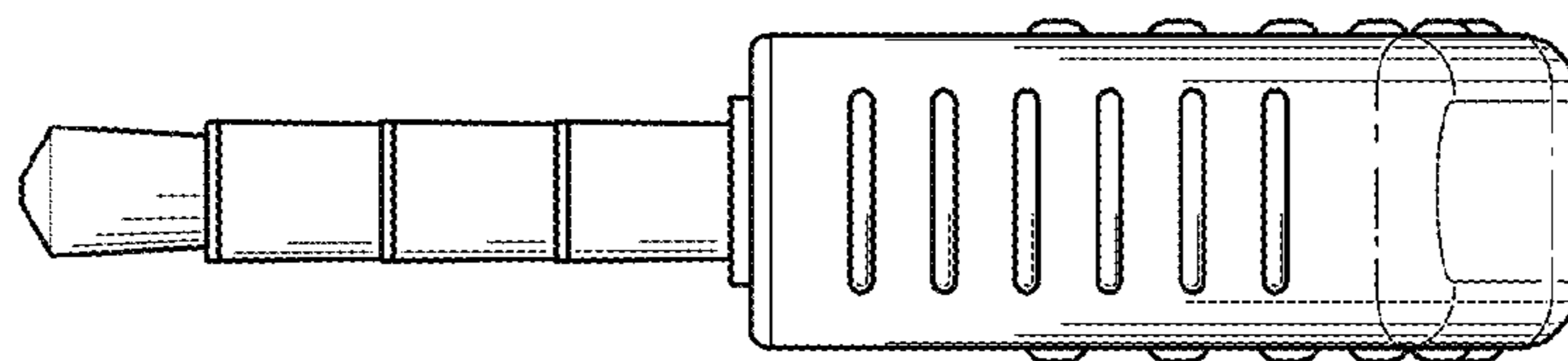


FIG. 5

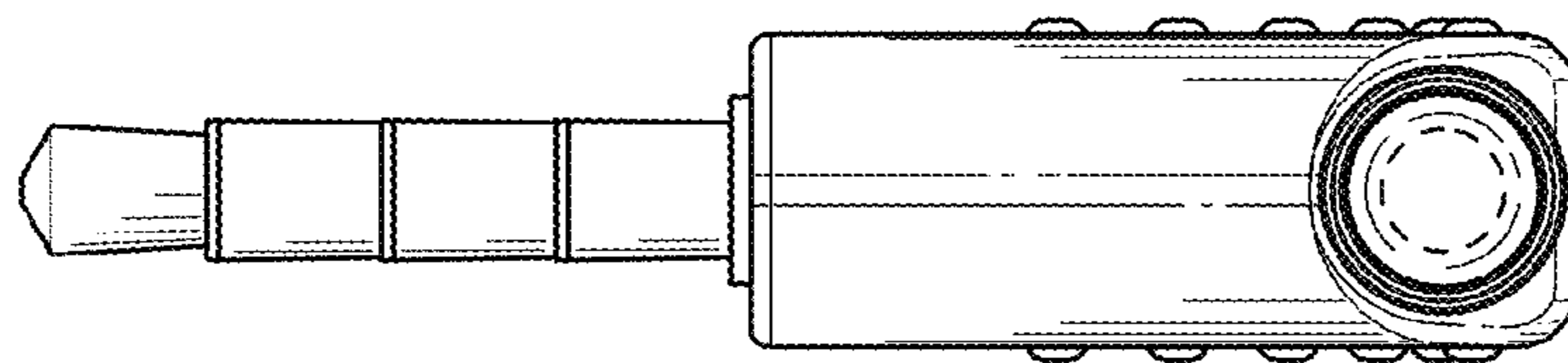


FIG. 6