

US00D752018S

(12) **United States Design Patent**
Gondo

(10) **Patent No.:** **US D752,018 S**
(45) **Date of Patent:** **** Mar. 22, 2016**

(54) **HEADPHONE**

(71) Applicant: **JVC KENWOOD Corporation**,
Yokohama-shi, Kanagawa (JP)

(72) Inventor: **Makoto Gondo**, Yokohama (JP)

(73) Assignee: **JVC KENWOOD CORPORATION**,
Yokohama-Shi, Kanagawa (JP)

(**) Term: **14 Years**

(21) Appl. No.: **29/516,638**

(22) Filed: **Feb. 4, 2015**

(30) **Foreign Application Priority Data**

Aug. 27, 2014 (JP) 2014018747

(51) **LOC (10) Cl.** **14-01**

(52) **U.S. Cl.**
USPC **D14/205**

(58) **Field of Classification Search**
USPC D14/205, 206; 181/129, 130, 135;
379/430, 431; 381/380, 381, 374;
455/90.3, 575.1

CPC H04R 1/1066; H04R 1/1016
See application file for complete search history.

(56) **References Cited**

U.S. PATENT DOCUMENTS

| | | | | |
|--------------|---------|------------|-------|---------|
| D237,307 S * | 10/1975 | Miyamoto | | D14/192 |
| D351,172 S * | 10/1994 | Nakamura | | D14/205 |
| D386,181 S * | 11/1997 | Fisher | | D14/192 |
| D449,034 S * | 10/2001 | Weikel | | D14/205 |
| D534,155 S * | 12/2006 | Obata | | D14/205 |
| D540,301 S * | 4/2007 | Obata | | D14/205 |
| D603,371 S * | 11/2009 | Boateng | | D14/205 |
| D625,705 S * | 10/2010 | Ohori | | D14/205 |
| D632,668 S * | 2/2011 | Brunner | | D14/205 |
| D635,959 S * | 4/2011 | Hutchieson | | D14/205 |
| D652,406 S * | 1/2012 | Lee | | D14/205 |
| D657,344 S * | 4/2012 | Brunner | | D14/205 |

| | | | | |
|--------------|--------|--------|-------|---------|
| D660,823 S * | 5/2012 | Hardi | | D14/205 |
| D660,824 S * | 5/2012 | Hardi | | D14/205 |
| D663,716 S * | 7/2012 | Hardi | | D14/205 |
| D673,520 S * | 1/2013 | Tan | | D14/205 |
| D675,595 S * | 2/2013 | Cho | | D14/205 |
| D677,648 S * | 3/2013 | Lee | | D14/206 |
| D680,516 S * | 4/2013 | Lee | | D14/205 |
| D684,139 S * | 6/2013 | Miyake | | D14/205 |
| D685,763 S * | 7/2013 | Lee | | D14/205 |
| D697,895 S * | 1/2014 | Lee | | D14/205 |
| D697,896 S * | 1/2014 | Lee | | D14/205 |

(Continued)

FOREIGN PATENT DOCUMENTS

JP 1488611 S 1/2014

OTHER PUBLICATIONS

Best Buy web page for Philips In-Ear Sport Headset model No. SHQ1017GY128 dated Feb. 3, 2015.

(Continued)

Primary Examiner — Paula Greene

(74) *Attorney, Agent, or Firm* — Nath, Goldberg & Meyer;
Jerald L. Meyer

(57) **CLAIM**

The ornamental design for a headphone, as shown and described.

DESCRIPTION

FIG. 1 is a perspective view;

FIG. 2 is a front view;

FIG. 3 is a rear view;

FIG. 4 is a left side view;

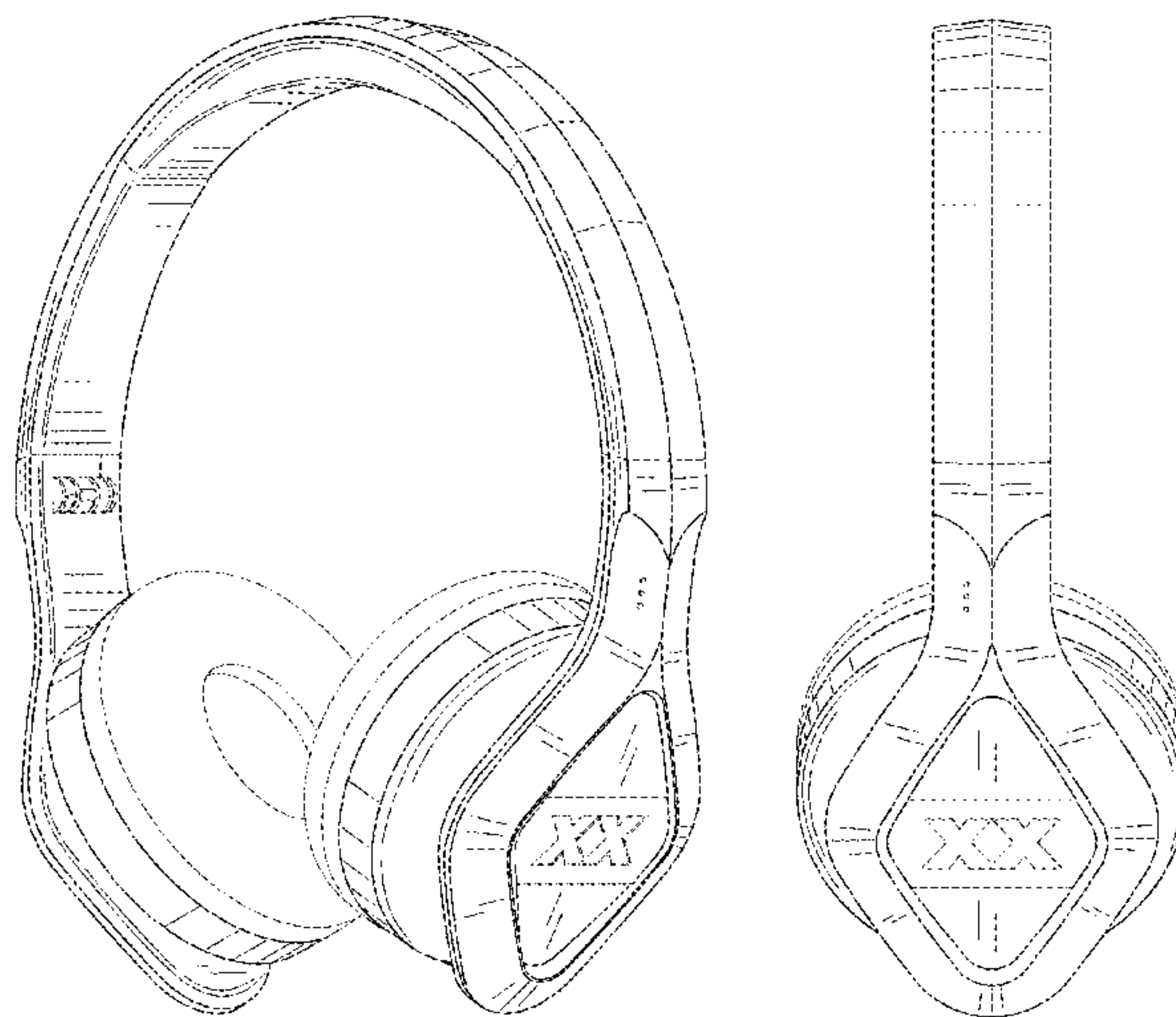
FIG. 5 is a right side view;

FIG. 6 is a top plan view; and,

FIG. 7 is a bottom plan view.

The broken lines shown are included for the purpose of illustrating the unclaimed portions of the article and form no part of the claim.

1 Claim, 5 Drawing Sheets



(56)

References Cited

U.S. PATENT DOCUMENTS

D699,702 S * 2/2014 Chen D14/205
D716,256 S * 10/2014 Ang D14/205
8,861,766 B2 * 10/2014 Ouryouji H04R 1/1058
381/370
D717,276 S * 11/2014 Zhou D14/205
D717,764 S * 11/2014 Lee D14/205
D727,288 S * 4/2015 Yamasaki D14/205
D737,798 S * 9/2015 Yoshimura D14/205

OTHER PUBLICATIONS

Best Buy web page for Yurbuds LaMichael James Signature Series

ITE 100 Earbud Headphones model No. 10150-LJ dated Feb. 3,
2015.

* cited by examiner

Fig.1

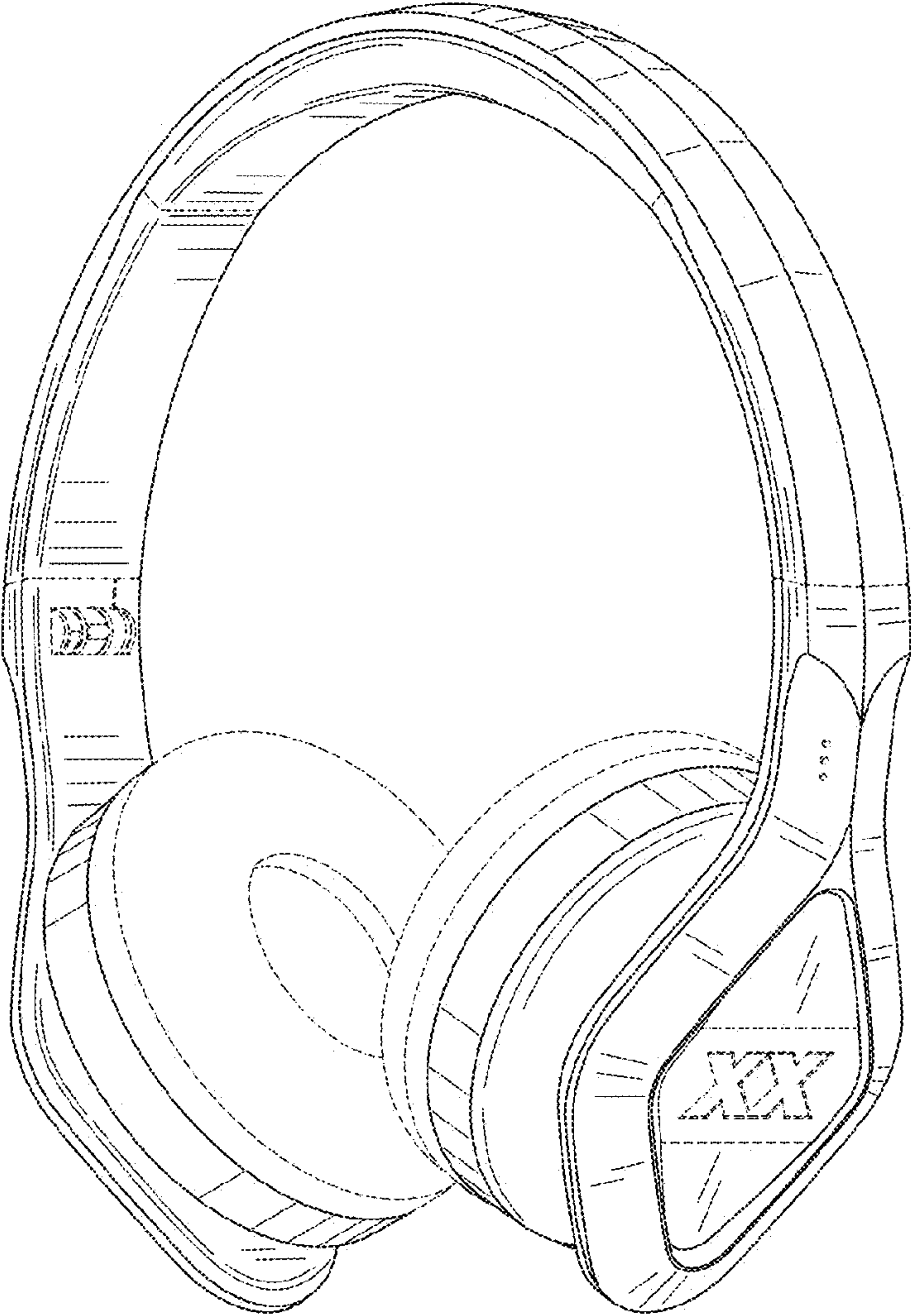


Fig.2

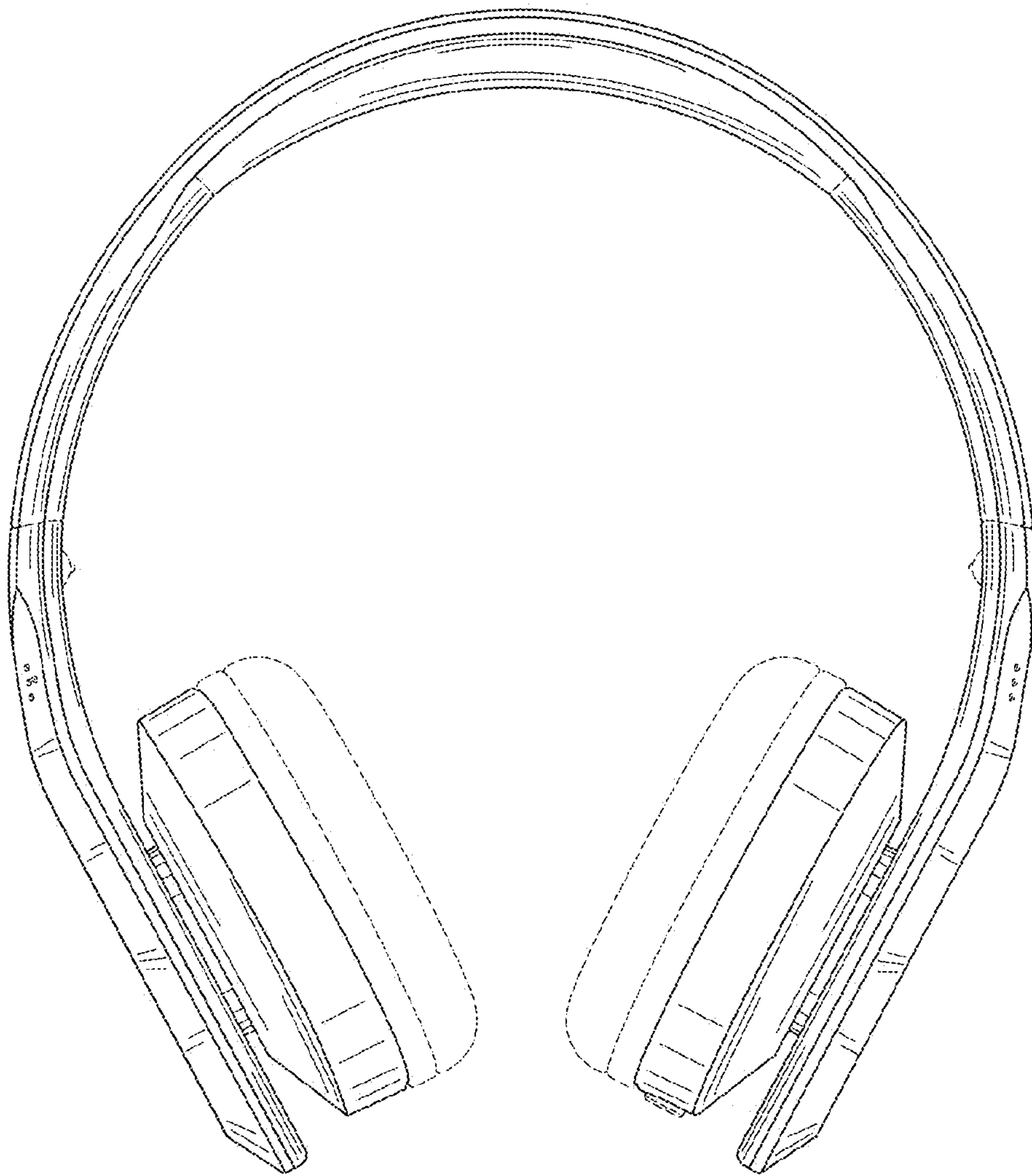


Fig.3

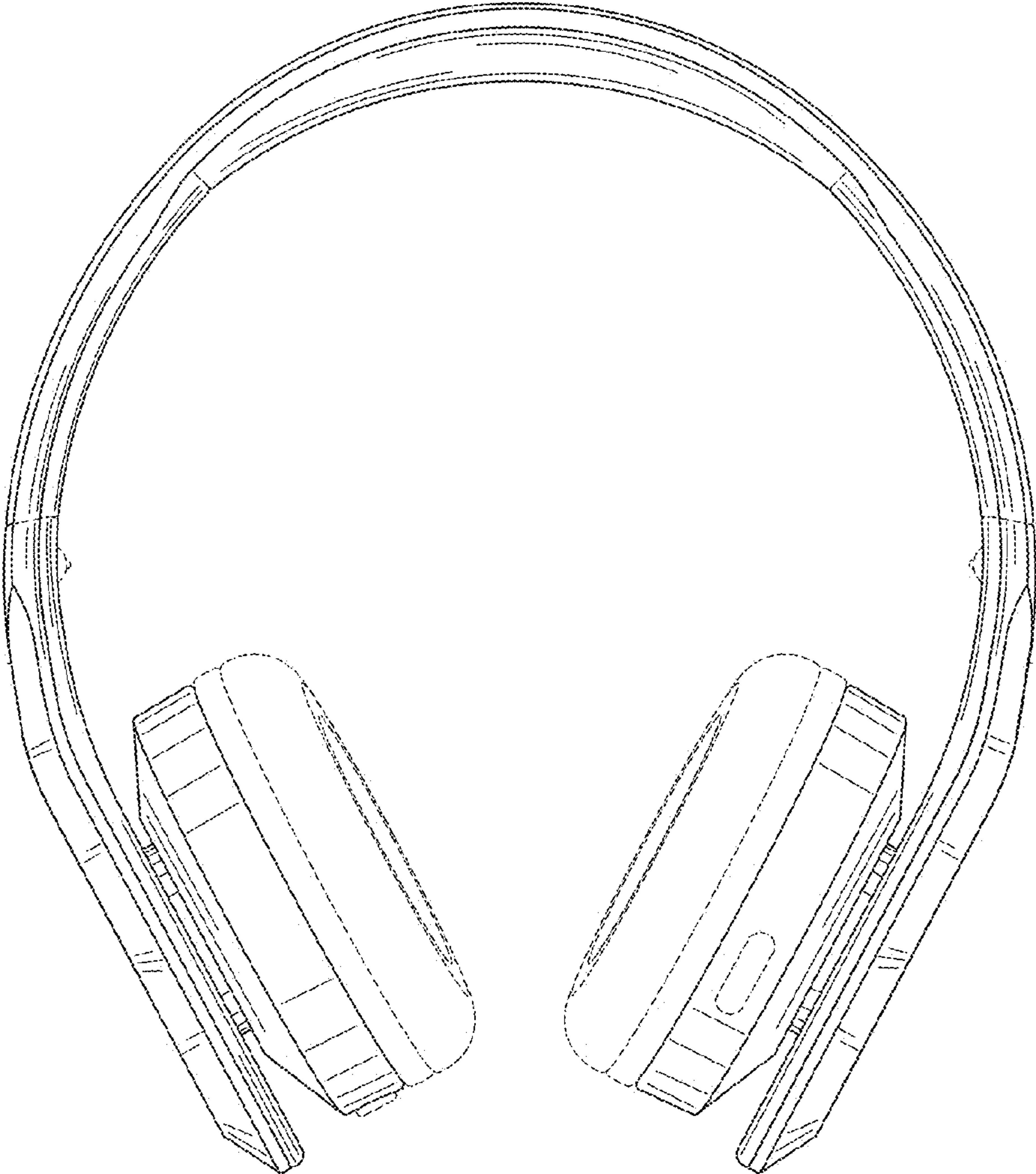


Fig.4

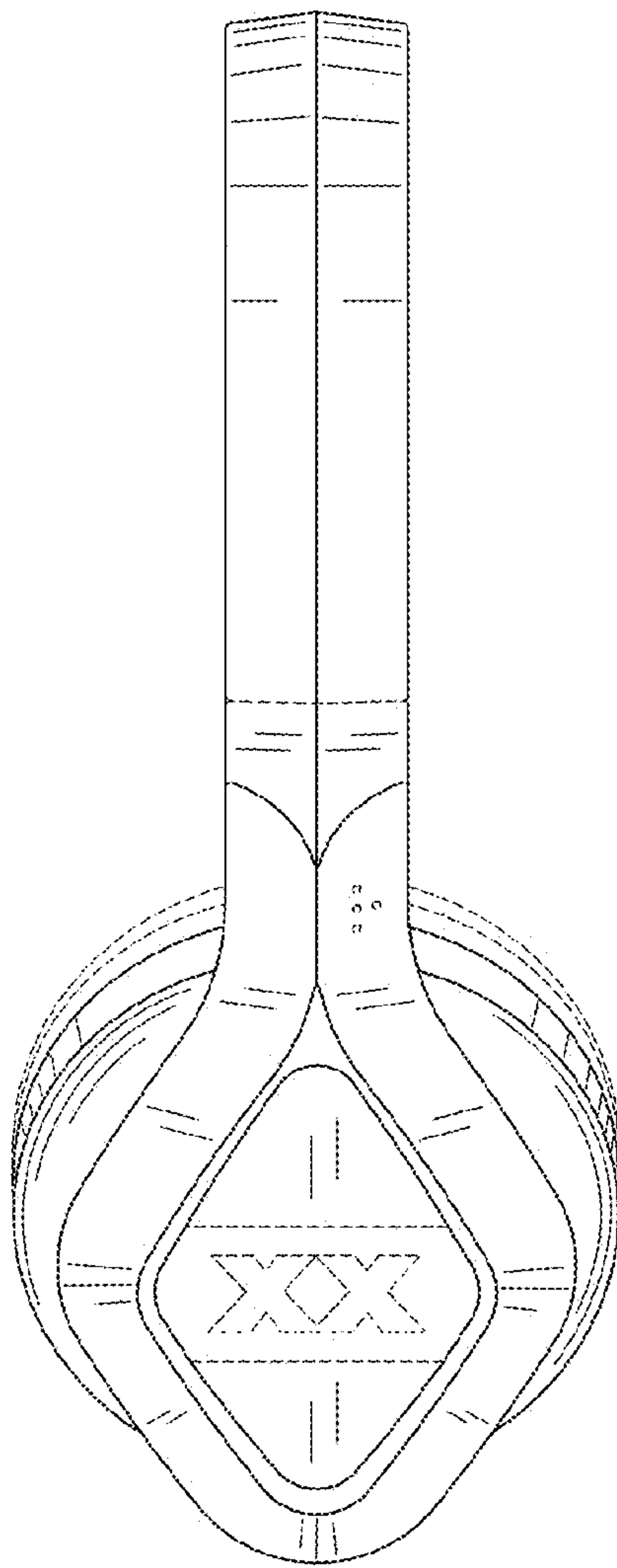


Fig.5

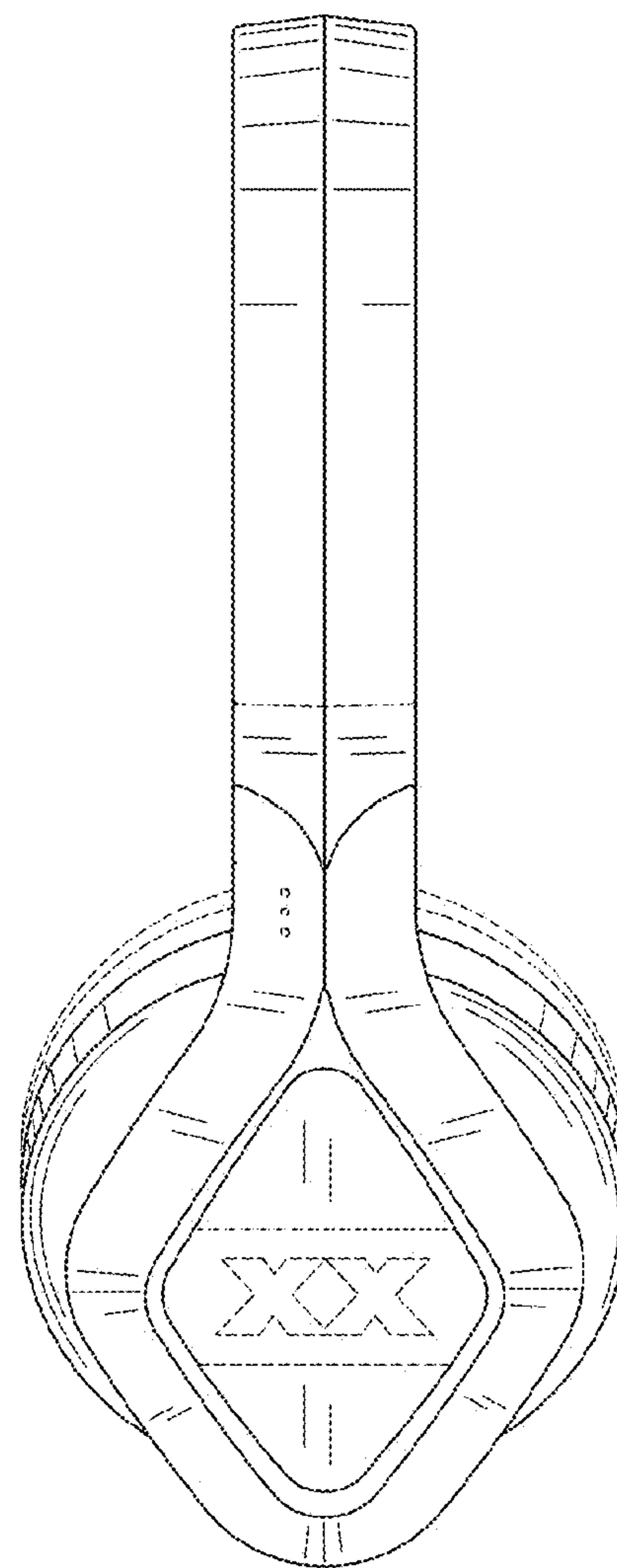


Fig.6

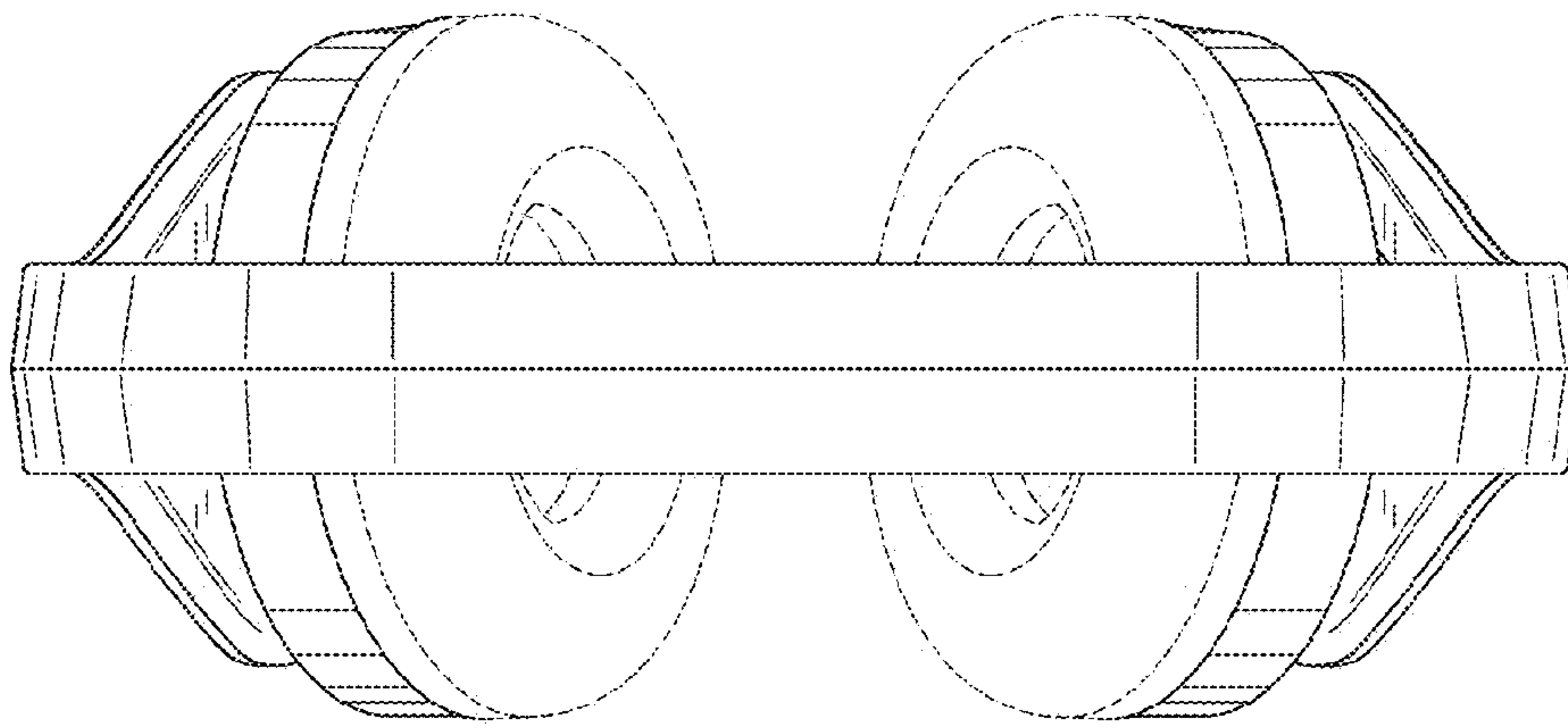


Fig.7

