



US00D752017S

(12) **United States Design Patent**  
**Daniel et al.**

(10) **Patent No.:** **US D752,017 S**  
(45) **Date of Patent:** **\*\* Mar. 22, 2016**

(54) **CONVERTIBLE SMART HEADPHONES WITH SPEAKERS AND MOOD SENSORS**

(71) Applicants: **Isaac S. Daniel**, Miramar, FL (US);  
**Basel Saleh**, Miramar, FL (US)

(72) Inventors: **Isaac S. Daniel**, Miramar, FL (US);  
**Basel Saleh**, Miramar, FL (US)

(73) Assignee: **ISAAC DANIEL GROUP, INC.**

(\*\*) Term: **14 Years**

(21) Appl. No.: **29/514,679**

(22) Filed: **Jan. 15, 2015**

(51) **LOC (10) Cl.** ..... **14-01**

(52) **U.S. Cl.**  
USPC ..... **D14/205**

(58) **Field of Classification Search**  
USPC ..... D14/205; 181/129, 130, 135; 379/430,  
379/431; 381/380, 381, 374, 371, 378, 309,  
381/333, 322, 328, 74, 184, 379; 362/103,  
362/106; 434/236; D24/107, 187  
CPC ..... H04R 1/1066  
See application file for complete search history.

(56) **References Cited**

**U.S. PATENT DOCUMENTS**

D246,519 S *	11/1977	Kato	.....	D14/205
D291,198 S *	8/1987	Bellini	.....	D14/205
4,999,747 A *	3/1991	Chen	.....	A44C 15/0015 362/103
5,113,428 A *	5/1992	Fitzgerald	.....	H04B 1/3816 379/430
D328,074 S *	7/1992	Yamazaki	.....	D14/205
D328,461 S *	8/1992	Daido	.....	D14/205
D333,137 S *	2/1993	Burke	.....	D14/206
D345,361 S *	3/1994	Grasso	.....	D14/205
D347,434 S *	5/1994	Yamatogi	.....	D14/205
D348,465 S *	7/1994	Yamatogi	.....	D14/205
D420,356 S *	2/2000	Suzuki	.....	D14/205
D435,249 S *	12/2000	Yasutomi	.....	D14/205

D449,290 S *	10/2001	Taylor	.....	D14/206
6,775,390 B1 *	8/2004	Schmidt	.....	H04M 1/05 181/128
D563,382 S *	3/2008	Wikel	.....	D14/205
7,388,960 B2 *	6/2008	Kuo	.....	H04R 1/1041 379/430
D585,871 S *	2/2009	Lee	.....	D14/205
D616,865 S *	6/2010	Marchand	.....	D14/205
D638,397 S *	5/2011	McManigal	.....	D14/205
8,098,872 B2 *	1/2012	Chang	.....	H04R 1/1075 381/370
D664,118 S *	7/2012	Tappeiner	.....	D14/205
D673,518 S *	1/2013	Tan	.....	D14/205
D673,520 S *	1/2013	Tan	.....	D14/205
8,651,229 B2 *	2/2014	Franzen	.....	A61F 11/14 128/867
D706,241 S *	6/2014	Szymanski	.....	D14/205
8,755,555 B2 *	6/2014	Dougherty	.....	H04R 1/1066 381/370
D719,136 S *	12/2014	Schaal	.....	D14/205
D721,052 S *	1/2015	Carr	.....	D14/205
2003/0103637 A1 *	6/2003	Huang	.....	H04R 1/1075 381/309

\* cited by examiner

*Primary Examiner* — Paula Greene

(74) *Attorney, Agent, or Firm* — Carol N. Green Kaul, Esq.

(57) **CLAIM**

The ornamental design for convertible smart headphones with speakers and mood sensors, as shown and described.

**DESCRIPTION**

FIG. 1 is a front perspective view of the invention.  
FIG. 2 is a rear perspective view of the invention.  
FIG. 3 is a top view of the invention;  
FIG. 4 is a bottom view of the invention with both speaker and headphone in use;  
FIG. 5 is a right side view of the invention with speaker in use;  
FIG. 6 is a left side view of the invention;  
FIG. 7 is a front elevation view of the invention; and,  
FIG. 8 is a front elevation view of the invention with both a speaker and a headphone in use.

**1 Claim, 6 Drawing Sheets**

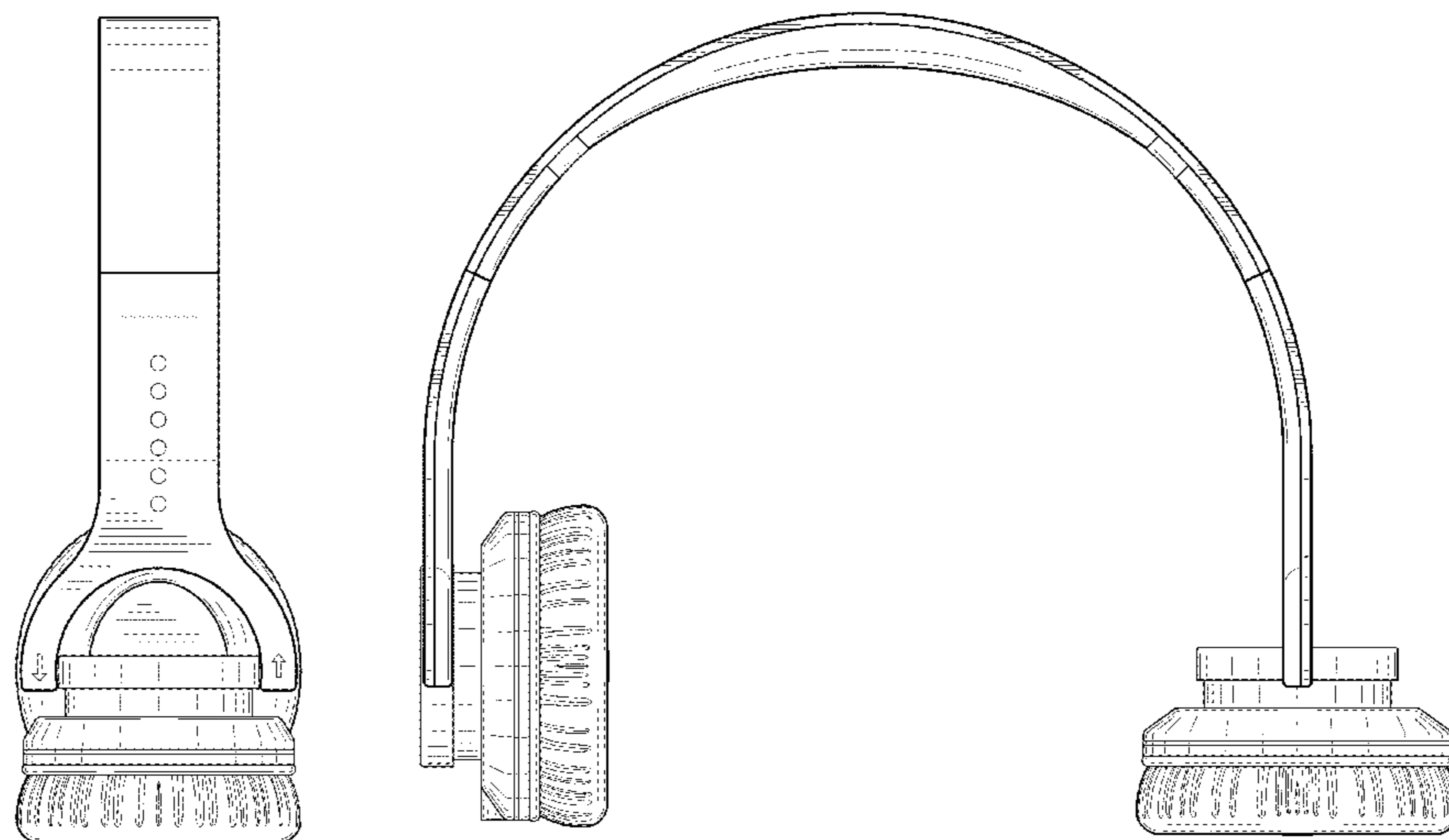




FIG. 1

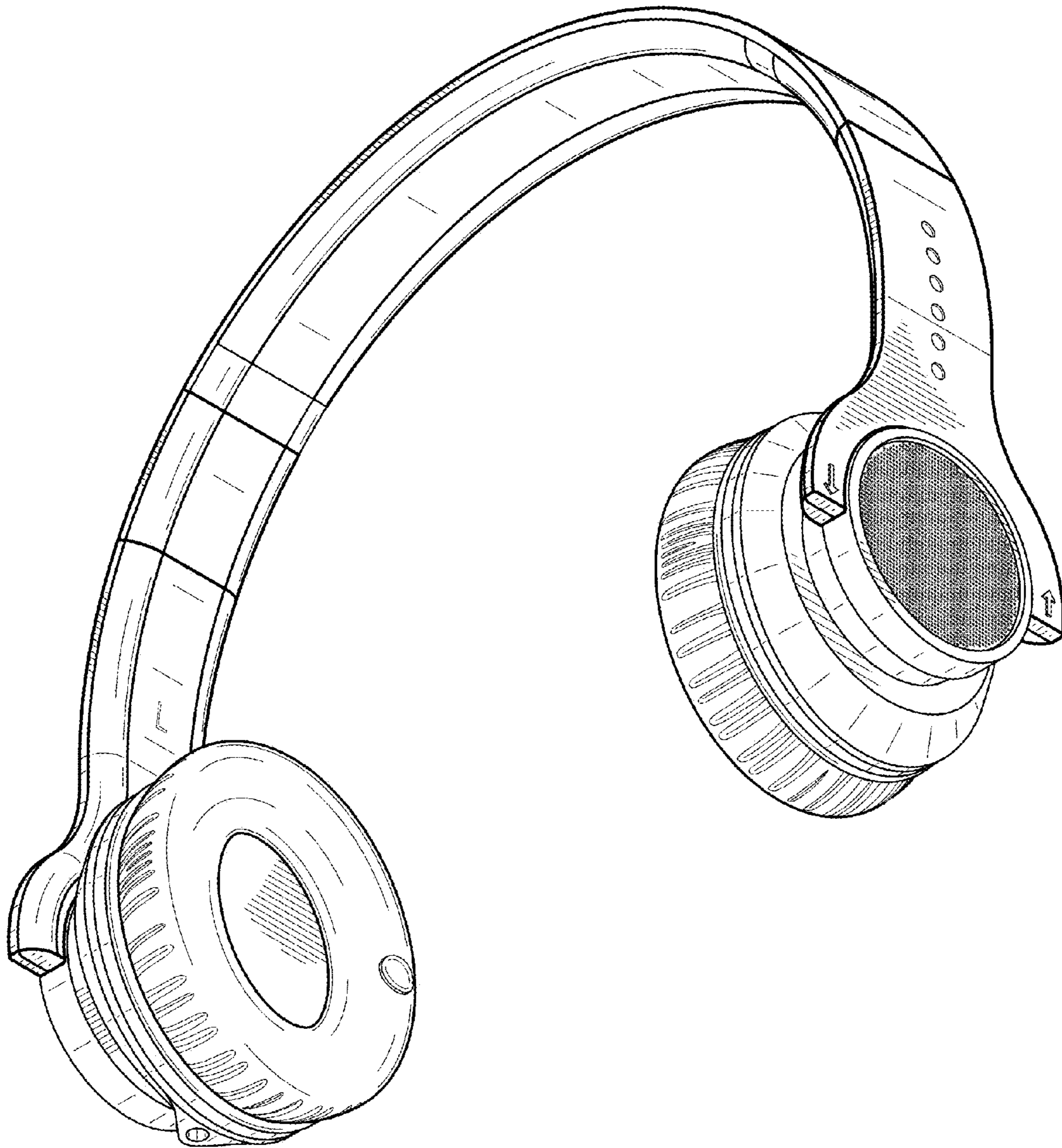


FIG. 2

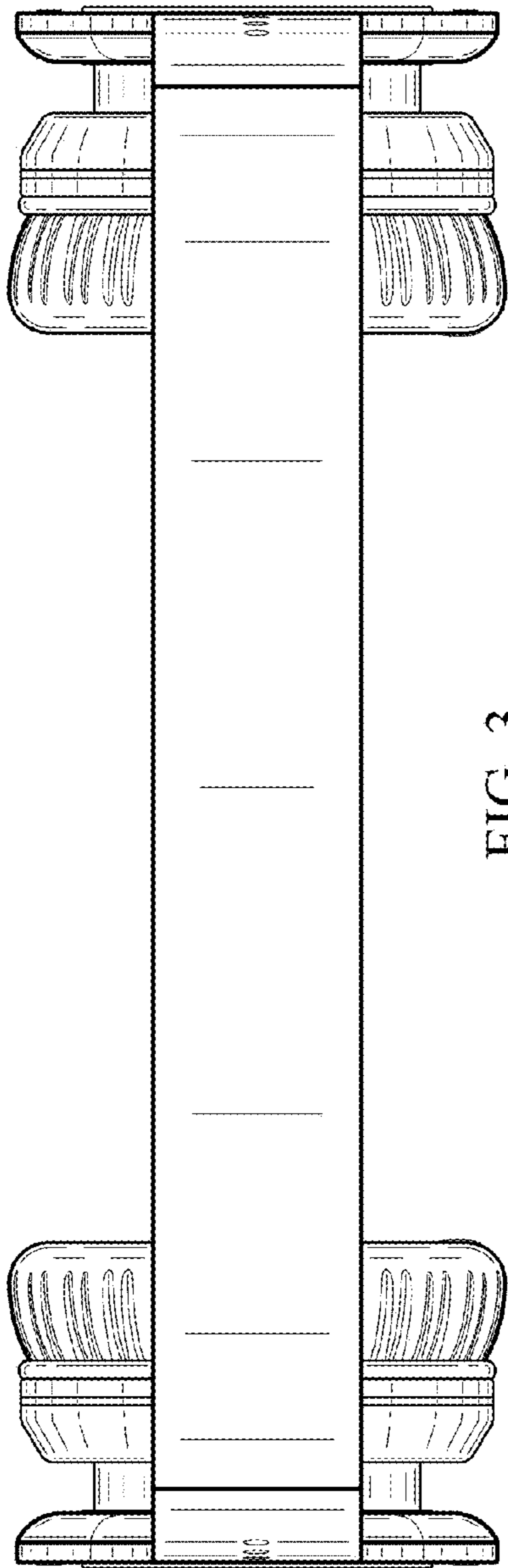


FIG. 3

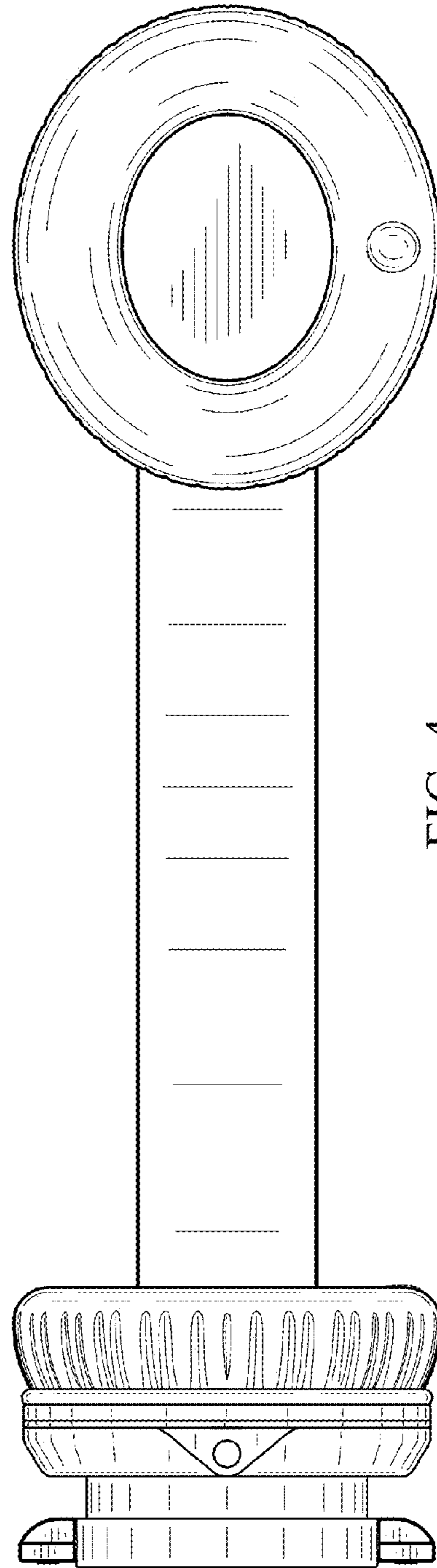


FIG. 4

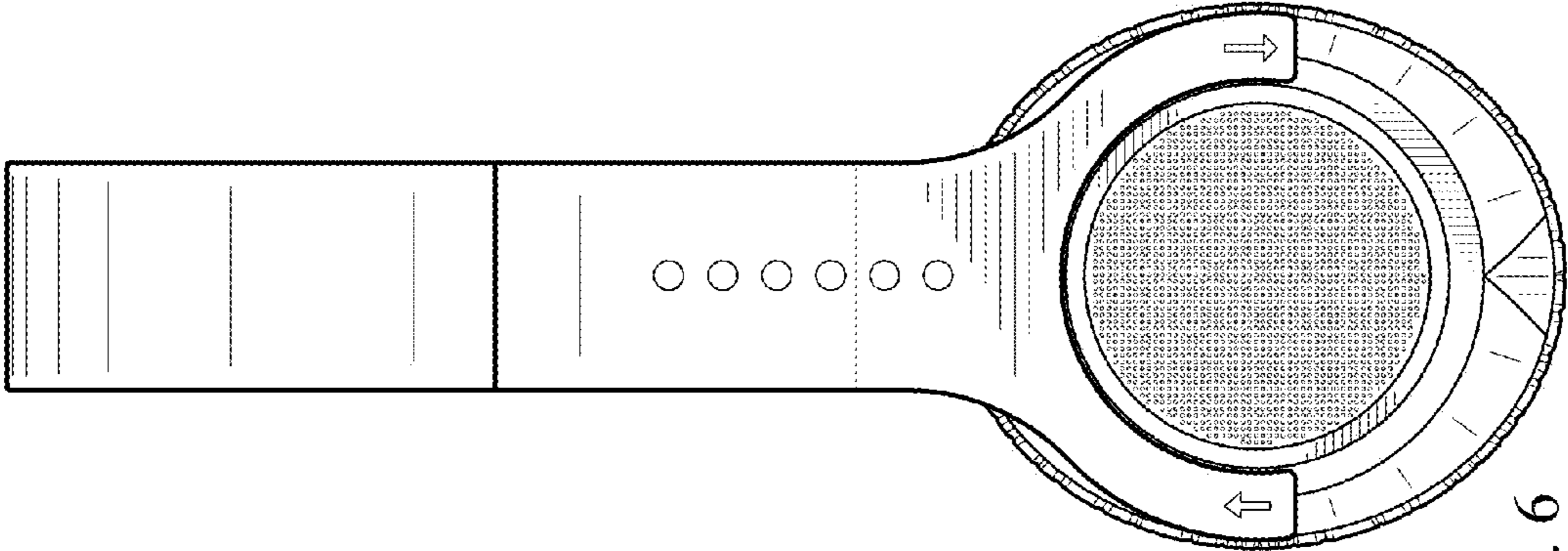


FIG. 6

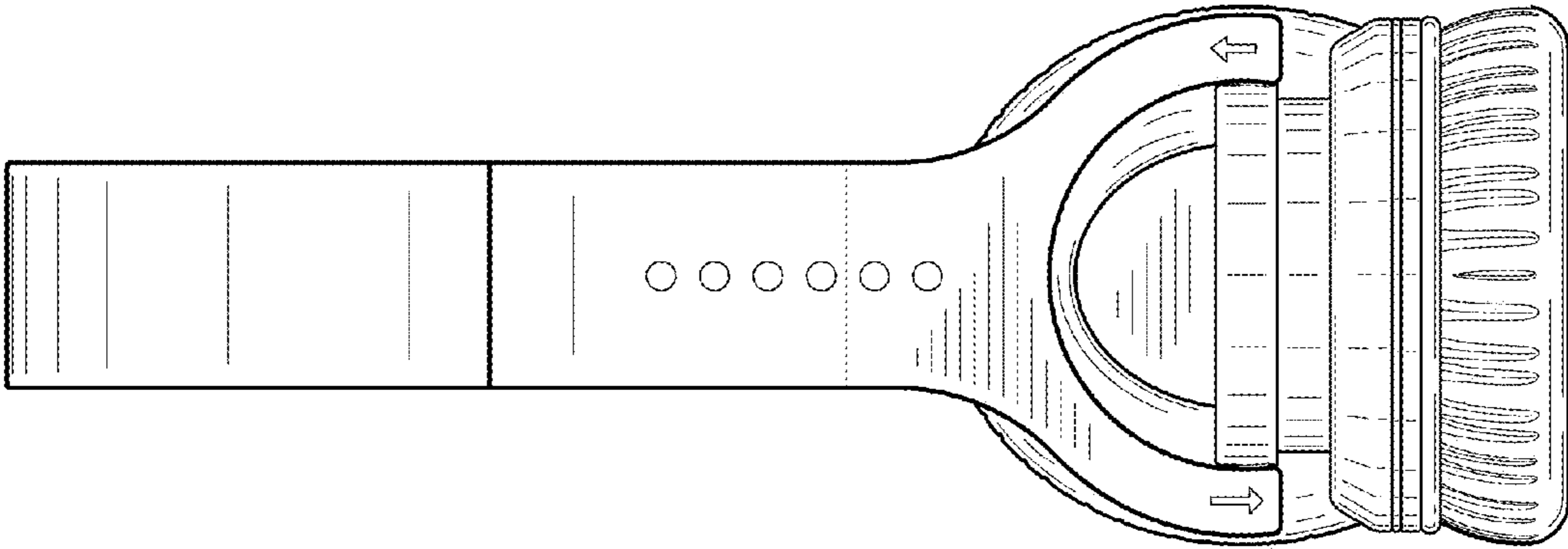


FIG. 5

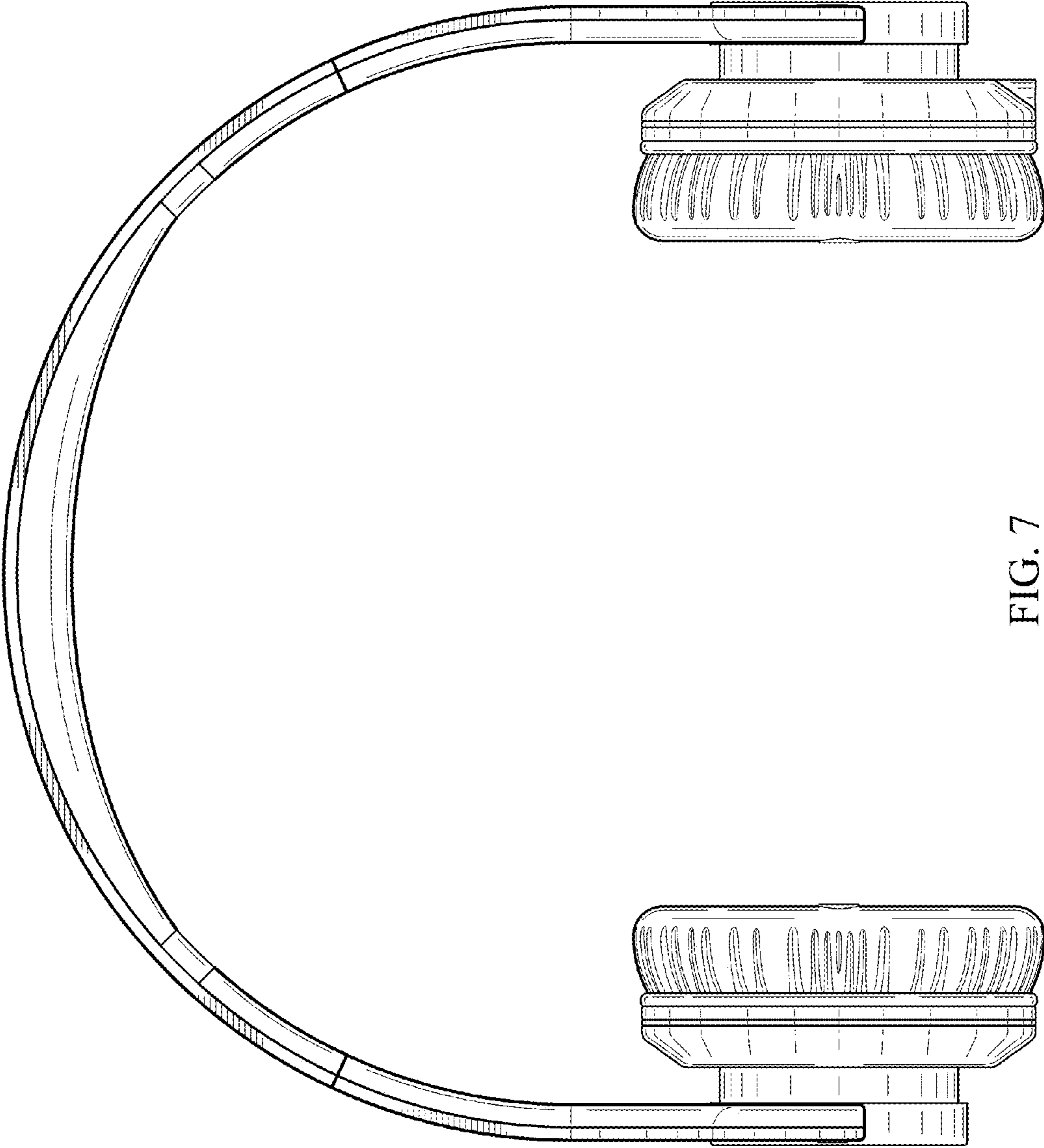


FIG. 7

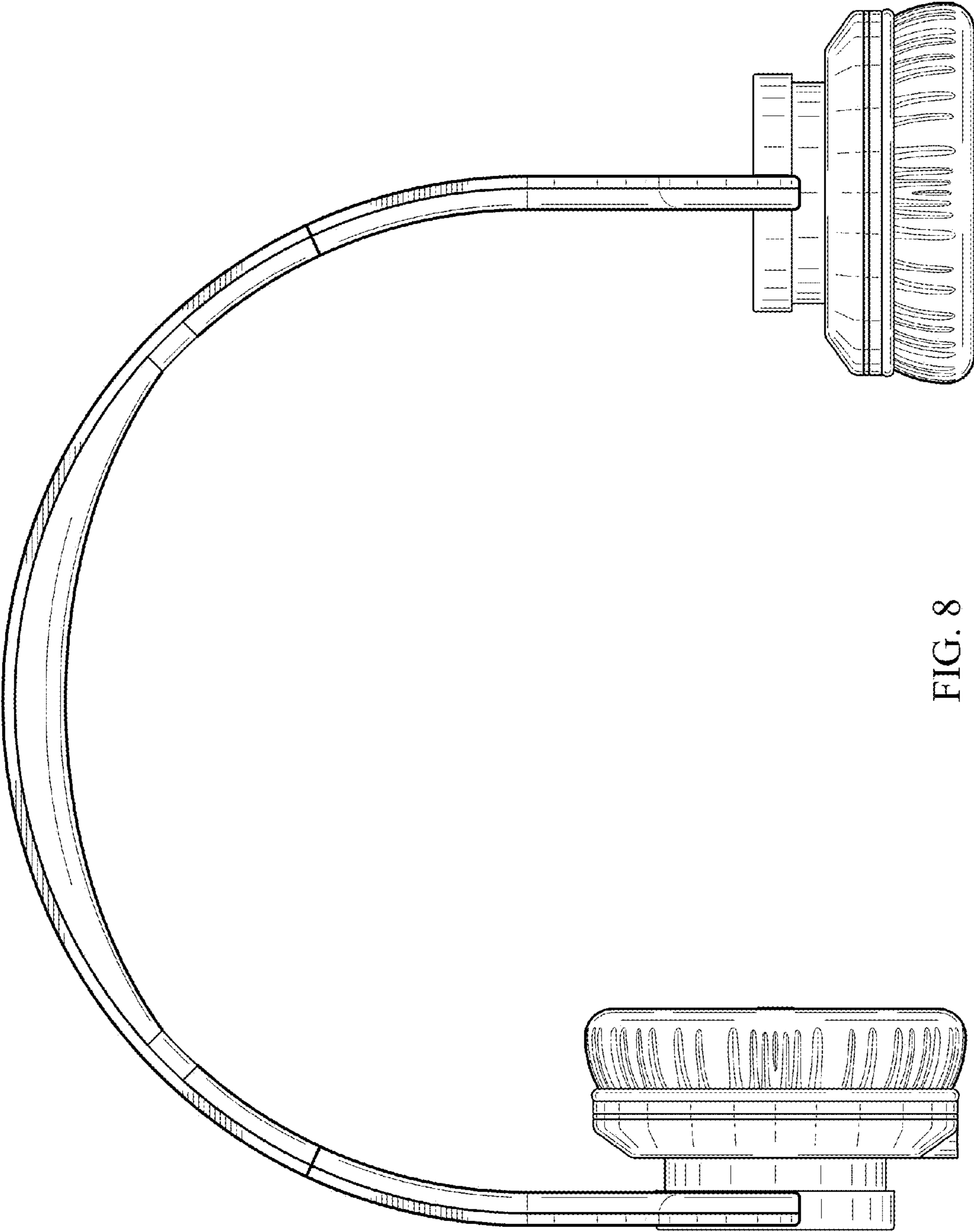


FIG. 8