



US00D752016S

(12) **United States Design Patent**  
**Lee et al.**

(10) **Patent No.:** **US D752,016 S**  
(45) **Date of Patent:** **\*\* Mar. 22, 2016**

(54) **SPEAKER**

(71) Applicant: **Samsung Electronics Co., Ltd.**,  
Suwon-si, Gyeonggi-do (KR)  
(72) Inventors: **Seung Chan Lee**, Seoul (KR); **Sangmin Hyun**, Seoul (KR)  
(73) Assignee: **SAMSUNG ELECTRONICS CO., LTD.** (KR)

(\*\*) Term: **14 Years**

(21) Appl. No.: **29/478,298**

(22) Filed: **Jan. 3, 2014**

(30) **Foreign Application Priority Data**

Jul. 3, 2013 (KR) ..... 30-2013-0034288

(51) **LOC (10) Cl.** ..... **14-01**

(52) **U.S. Cl.**  
USPC ..... **D14/204**

(58) **Field of Classification Search**  
USPC ..... D14/133, 168, 171, 172, 204, 210, 214,  
D14/221, 265, 358, 500-504; 181/144, 145,  
181/198, 199; 369/75.11, 76; 381/300,  
381/332-336, 345; 455/344, 350  
CPC ..... A47B 19/00; A47B 2021/0321; F16M  
11/04; F16M 11/32; F16M 11/34; H04B 1/08;  
H04B 1/086; H04B 1/3883; H04B 1/3888;  
H04R 7/00; H01Q 1/243

See application file for complete search history.

(56) **References Cited**

U.S. PATENT DOCUMENTS

D261,883 S \* 11/1981 Russell et al. .... D14/214  
D280,978 S \* 10/1985 Gosswiller ..... D10/114.4  
D286,756 S \* 11/1986 Menke et al. .... D10/114.4  
D291,870 S \* 9/1987 Urbanski et al. .... D10/114.4  
D471,532 S \* 3/2003 Solland ..... D14/211  
D608,343 S \* 1/2010 Skurdal ..... D14/209.1

FOREIGN PATENT DOCUMENTS

FR 20114482-005 \* 3/2012

\* cited by examiner

*Primary Examiner* — Derrick Holland

*Assistant Examiner* — Janice Lim

(74) *Attorney, Agent, or Firm* — Cantor Colburn LLP

(57) **CLAIM**

The ornamental design for a speaker, as shown and described.

**DESCRIPTION**

FIG. 1 is the front perspective view of a speaker showing our new design;

FIG. 2 is a front elevation view thereof;

FIG. 3 is a rear elevation view thereof;

FIG. 4 is a side elevation view thereof;

FIG. 5 is an opposite side elevation view thereof;

FIG. 6 is a top plan view thereof; and,

FIG. 7 is a bottom plan view thereof.

The broken line portions of FIGS. 3-5 are included to show unclaimed subject matter only and form no part of the claimed design.

**1 Claim, 7 Drawing Sheets**

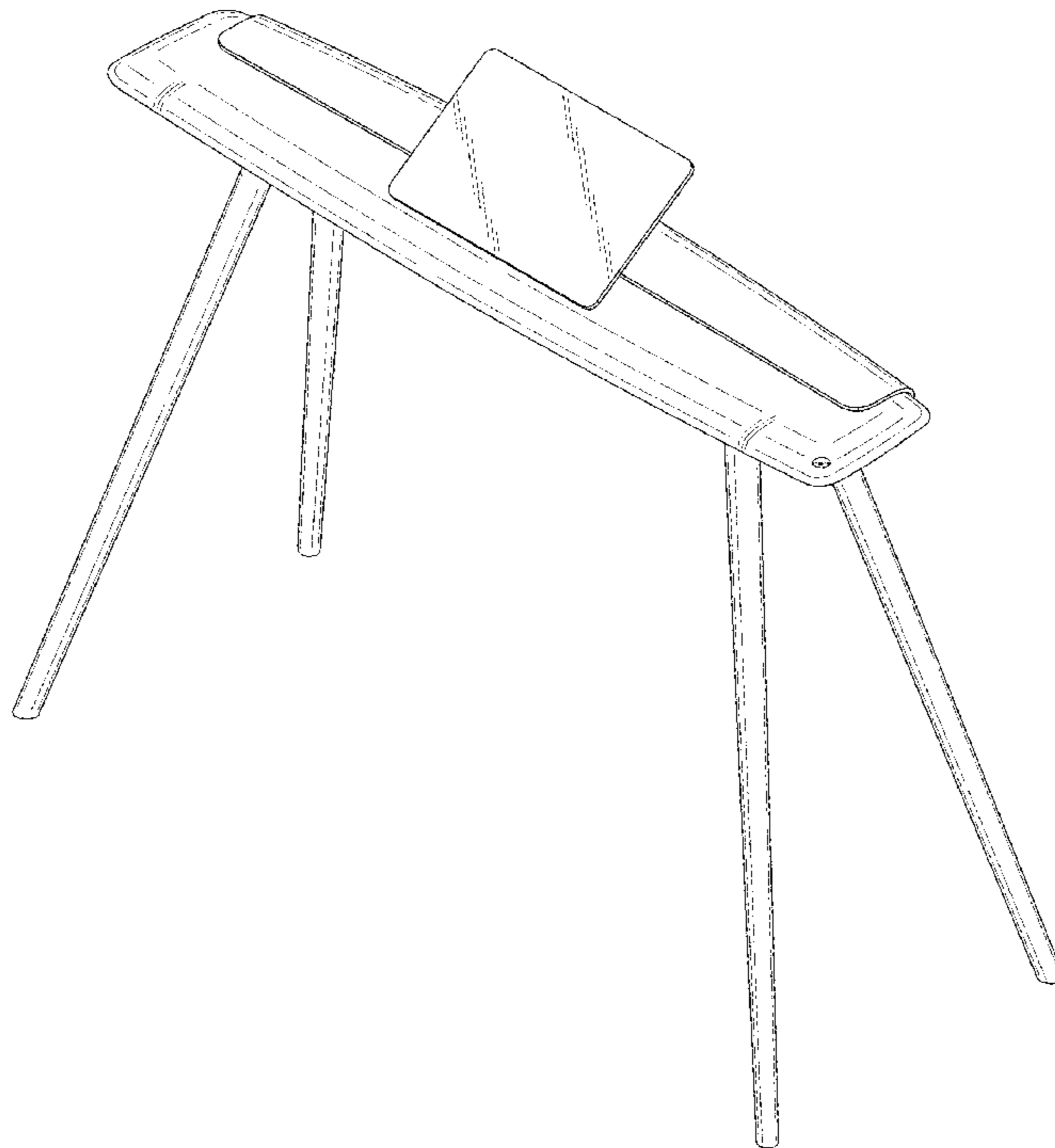


FIG. 1

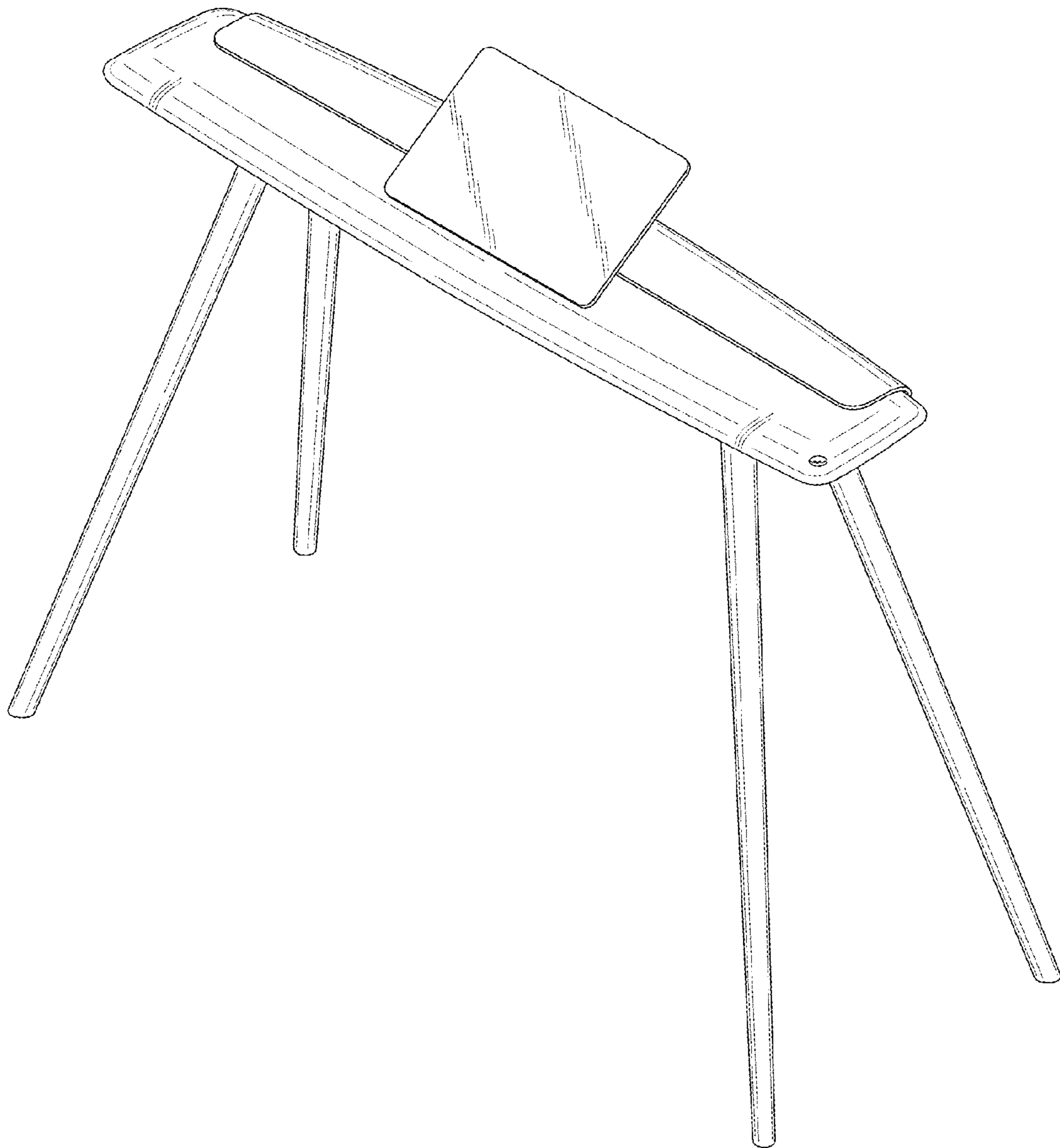


FIG. 2

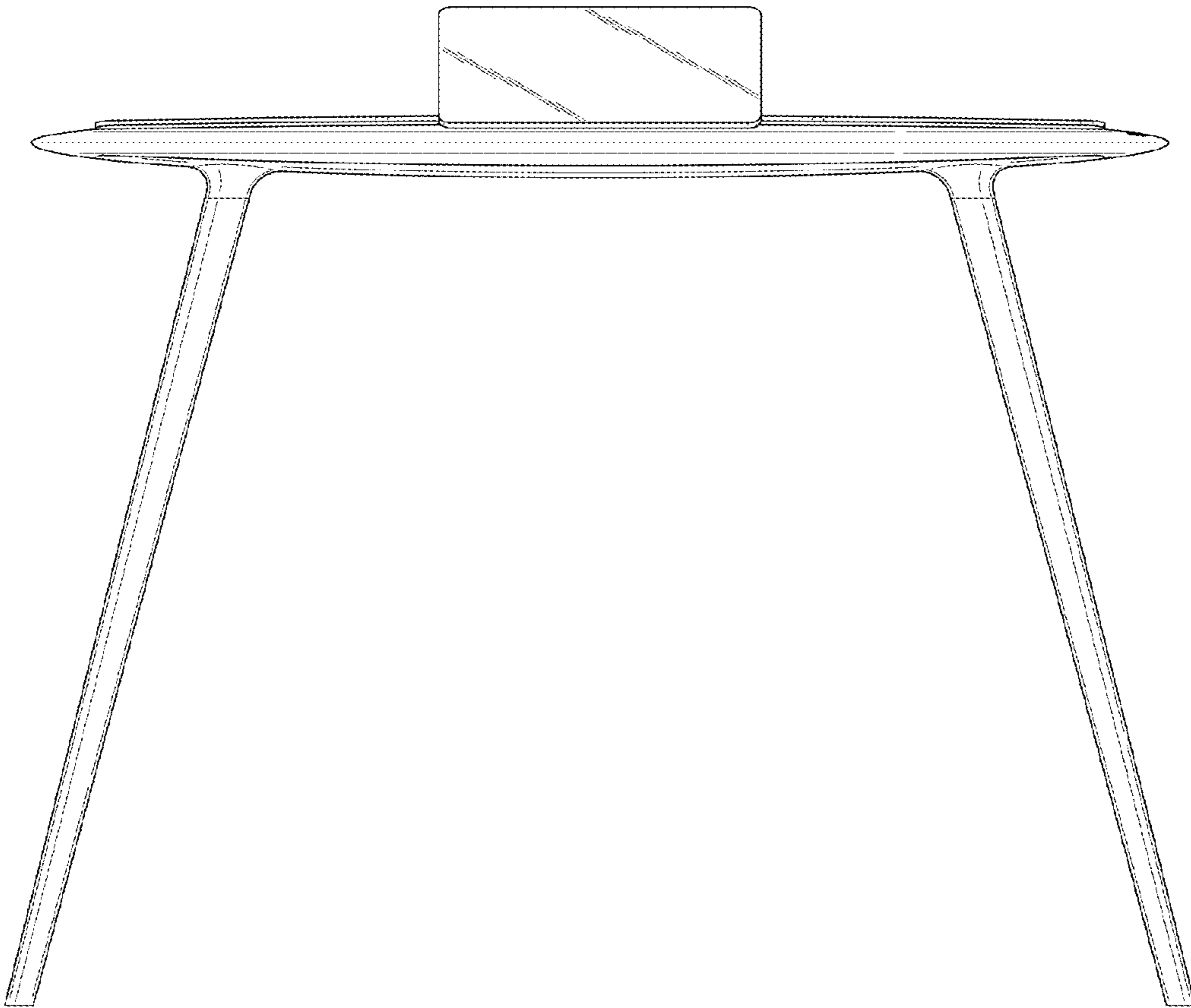


FIG. 3

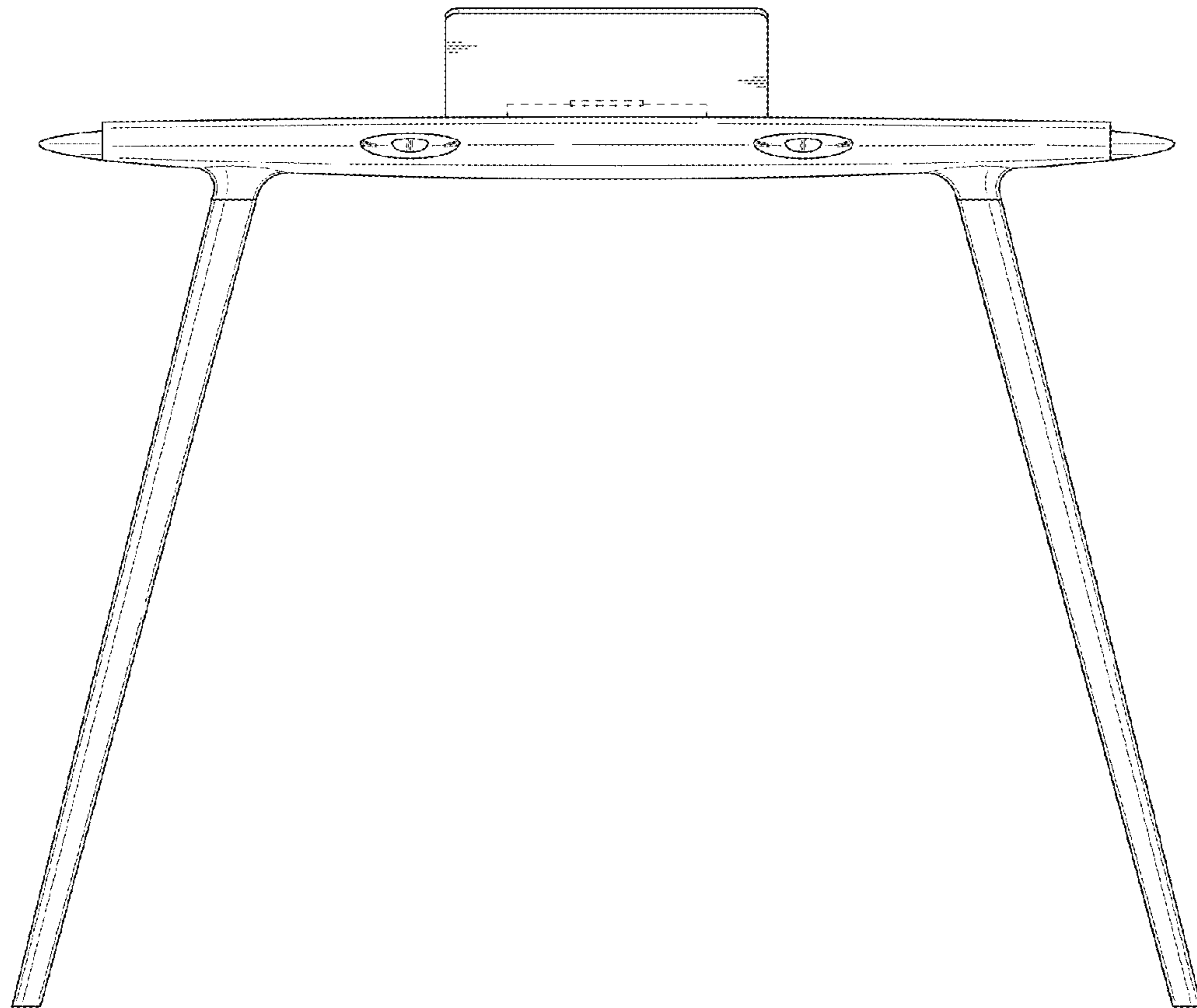


FIG. 4

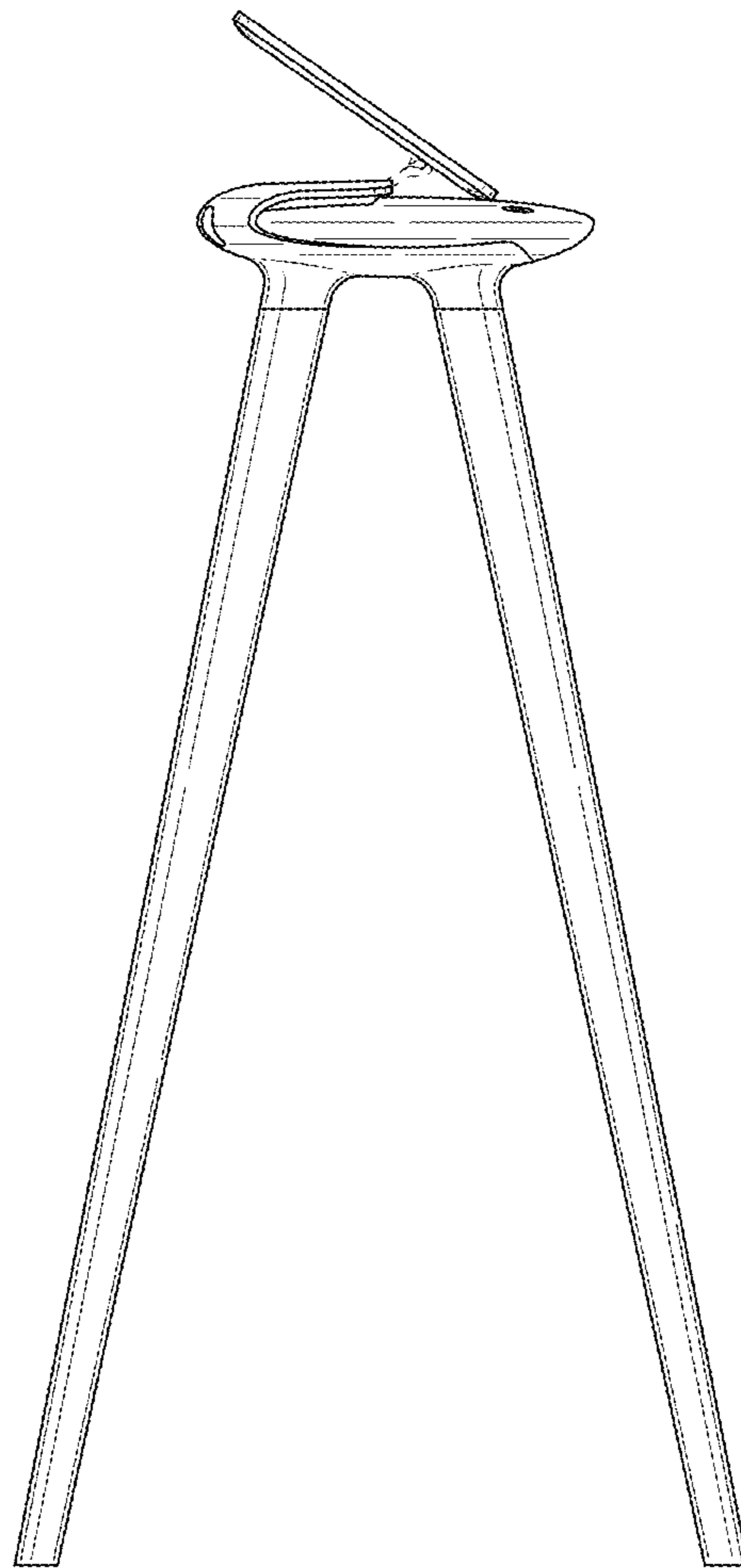


FIG. 5

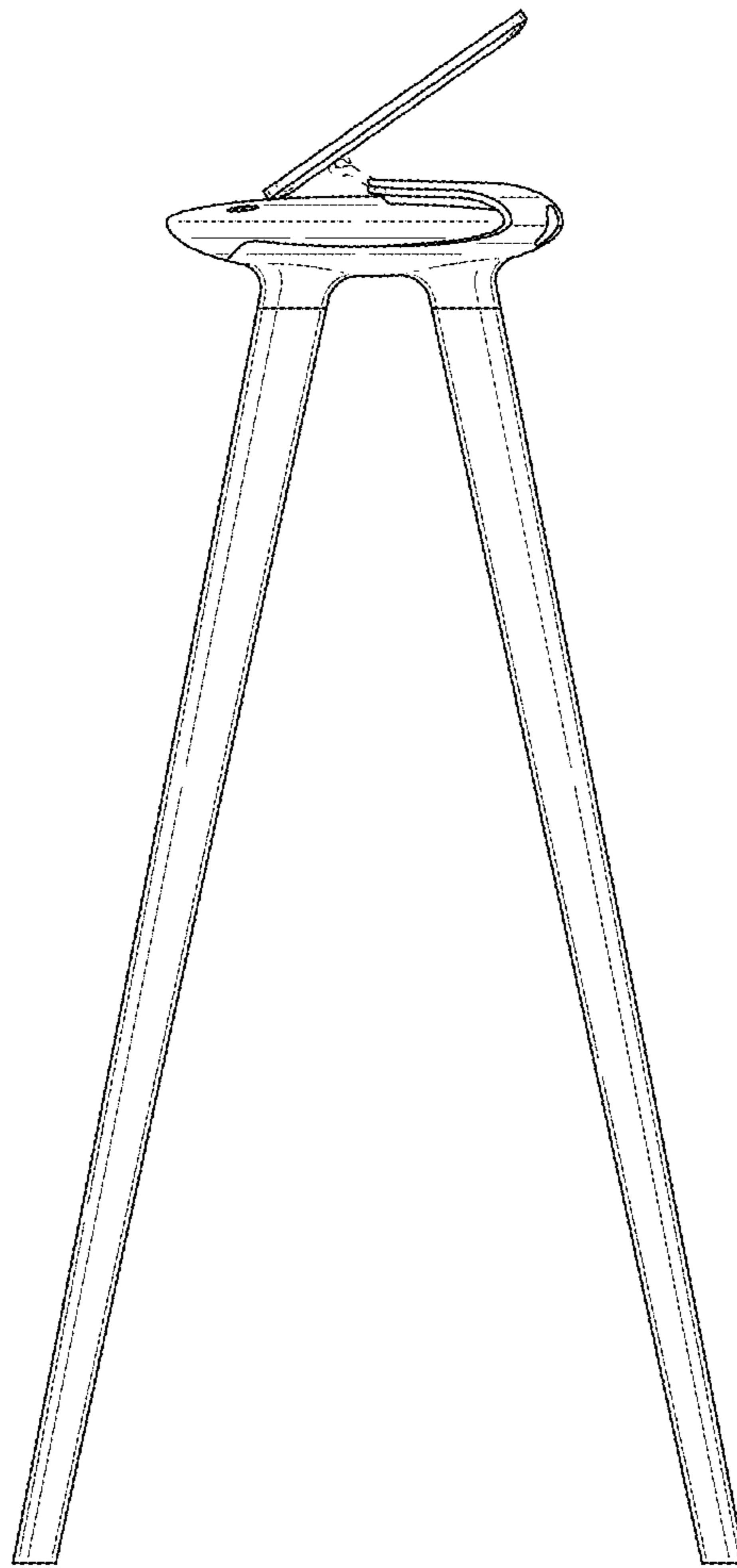


FIG. 6

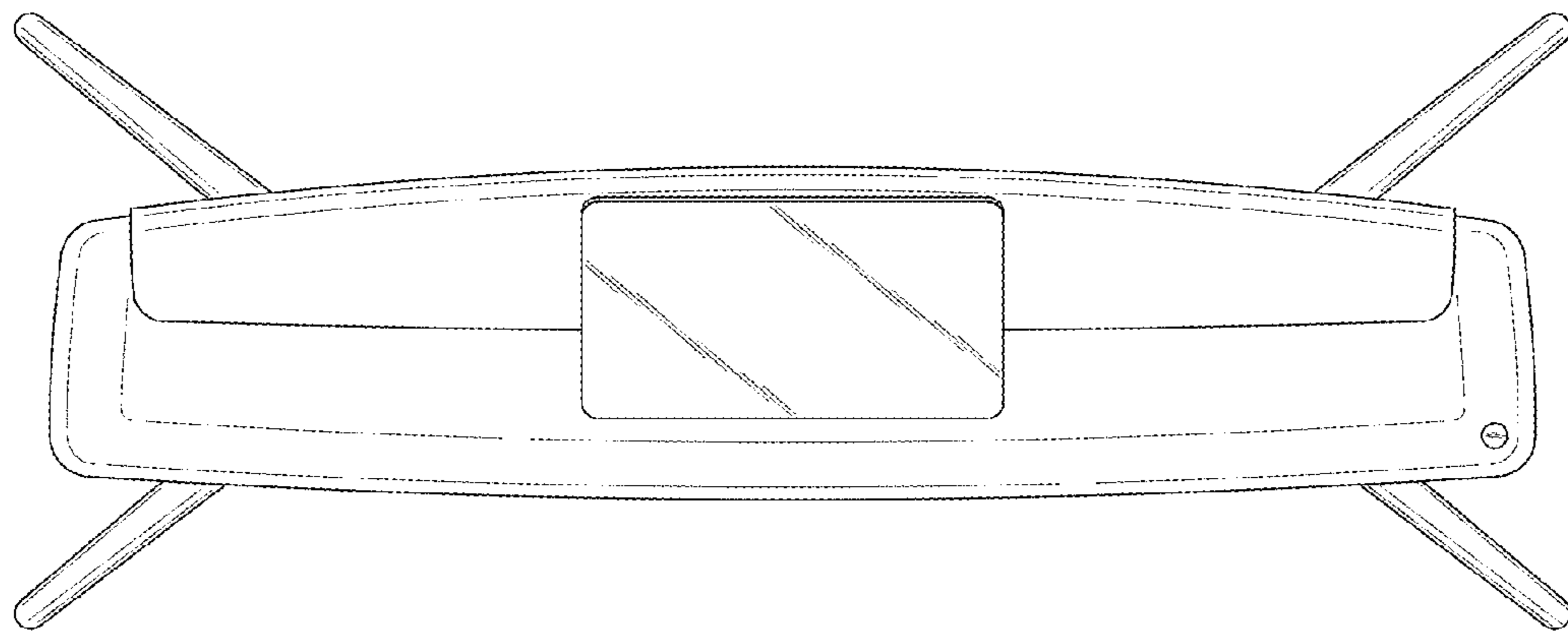


FIG. 7

